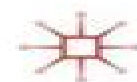
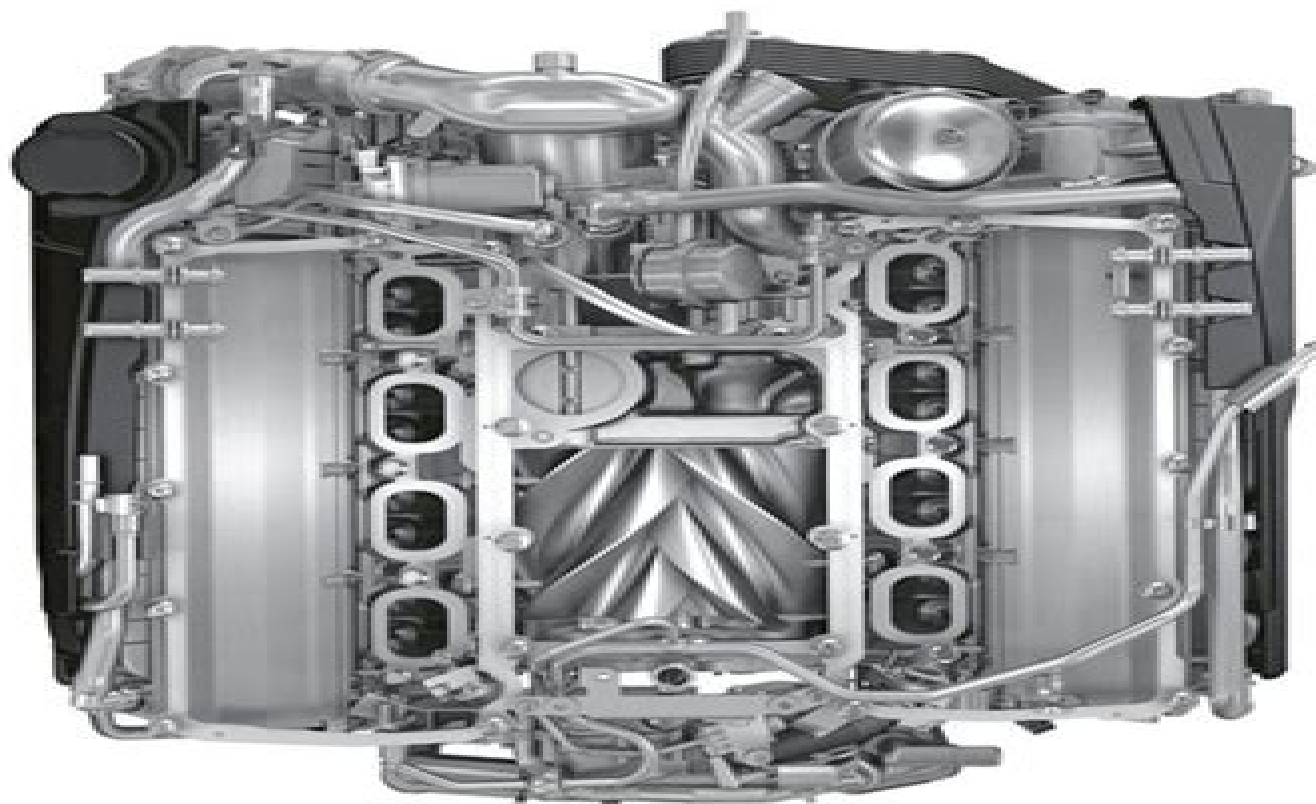


INTRODUCTION TO INTERNAL COMBUSTION ENGINES

RICHARD STONE

4th Edition



Introduction To Internal Combustion Engine Richard Stone

S Baum



Introduction To Internal Combustion Engine Richard Stone:

Enjoying the Melody of Phrase: An Emotional Symphony within **Introduction To Internal Combustion Engine Richard Stone**

In a world used by displays and the ceaseless chatter of immediate conversation, the melodic beauty and emotional symphony developed by the written term often diminish in to the back ground, eclipsed by the relentless noise and disruptions that permeate our lives. However, situated within the pages of **Introduction To Internal Combustion Engine Richard Stone** a charming literary value brimming with raw emotions, lies an immersive symphony waiting to be embraced. Crafted by an elegant composer of language, that fascinating masterpiece conducts readers on an emotional journey, skillfully unraveling the concealed songs and profound affect resonating within each cautiously crafted phrase. Within the depths of the moving assessment, we shall explore the book is key harmonies, analyze their enthralling publishing design, and submit ourselves to the profound resonance that echoes in the depths of readers souls.

<https://py.bijouxmedusa.com/book/virtual-library/HomePages/study%20united%20states%2072%20907%20retirement%20planning%20case%20study%20for%20creators.pdf>

Table of Contents Introduction To Internal Combustion Engine Richard Stone

1. Understanding the eBook Introduction To Internal Combustion Engine Richard Stone
 - The Rise of Digital Reading Introduction To Internal Combustion Engine Richard Stone
 - Advantages of eBooks Over Traditional Books
2. Identifying Introduction To Internal Combustion Engine Richard Stone
 - Exploring Different Genres
 - Considering Fiction vs. Non-Fiction
 - Determining Your Reading Goals
3. Choosing the Right eBook Platform
 - Popular eBook Platforms
 - Features to Look for in an Introduction To Internal Combustion Engine Richard Stone
 - User-Friendly Interface

4. Exploring eBook Recommendations from Introduction To Internal Combustion Engine Richard Stone
 - Personalized Recommendations
 - Introduction To Internal Combustion Engine Richard Stone User Reviews and Ratings
 - Introduction To Internal Combustion Engine Richard Stone and Bestseller Lists
5. Accessing Introduction To Internal Combustion Engine Richard Stone Free and Paid eBooks
 - Introduction To Internal Combustion Engine Richard Stone Public Domain eBooks
 - Introduction To Internal Combustion Engine Richard Stone eBook Subscription Services
 - Introduction To Internal Combustion Engine Richard Stone Budget-Friendly Options
6. Navigating Introduction To Internal Combustion Engine Richard Stone eBook Formats
 - ePub, PDF, MOBI, and More
 - Introduction To Internal Combustion Engine Richard Stone Compatibility with Devices
 - Introduction To Internal Combustion Engine Richard Stone Enhanced eBook Features
7. Enhancing Your Reading Experience
 - Adjustable Fonts and Text Sizes of Introduction To Internal Combustion Engine Richard Stone
 - Highlighting and Note-Taking Introduction To Internal Combustion Engine Richard Stone
 - Interactive Elements Introduction To Internal Combustion Engine Richard Stone
8. Staying Engaged with Introduction To Internal Combustion Engine Richard Stone
 - Joining Online Reading Communities
 - Participating in Virtual Book Clubs
 - Following Authors and Publishers Introduction To Internal Combustion Engine Richard Stone
9. Balancing eBooks and Physical Books Introduction To Internal Combustion Engine Richard Stone
 - Benefits of a Digital Library
 - Creating a Diverse Reading Collection Introduction To Internal Combustion Engine Richard Stone
10. Overcoming Reading Challenges
 - Dealing with Digital Eye Strain
 - Minimizing Distractions
 - Managing Screen Time
11. Cultivating a Reading Routine Introduction To Internal Combustion Engine Richard Stone
 - Setting Reading Goals Introduction To Internal Combustion Engine Richard Stone
 - Carving Out Dedicated Reading Time

12. Sourcing Reliable Information of Introduction To Internal Combustion Engine Richard Stone
 - Fact-Checking eBook Content of Introduction To Internal Combustion Engine Richard Stone
 - Distinguishing Credible Sources
13. Promoting Lifelong Learning
 - Utilizing eBooks for Skill Development
 - Exploring Educational eBooks
14. Embracing eBook Trends
 - Integration of Multimedia Elements
 - Interactive and Gamified eBooks

Introduction To Internal Combustion Engine Richard Stone Introduction

In this digital age, the convenience of accessing information at our fingertips has become a necessity. Whether its research papers, eBooks, or user manuals, PDF files have become the preferred format for sharing and reading documents. However, the cost associated with purchasing PDF files can sometimes be a barrier for many individuals and organizations. Thankfully, there are numerous websites and platforms that allow users to download free PDF files legally. In this article, we will explore some of the best platforms to download free PDFs. One of the most popular platforms to download free PDF files is Project Gutenberg. This online library offers over 60,000 free eBooks that are in the public domain. From classic literature to historical documents, Project Gutenberg provides a wide range of PDF files that can be downloaded and enjoyed on various devices. The website is user-friendly and allows users to search for specific titles or browse through different categories. Another reliable platform for downloading Introduction To Internal Combustion Engine Richard Stone free PDF files is Open Library. With its vast collection of over 1 million eBooks, Open Library has something for every reader. The website offers a seamless experience by providing options to borrow or download PDF files. Users simply need to create a free account to access this treasure trove of knowledge. Open Library also allows users to contribute by uploading and sharing their own PDF files, making it a collaborative platform for book enthusiasts. For those interested in academic resources, there are websites dedicated to providing free PDFs of research papers and scientific articles. One such website is Academia.edu, which allows researchers and scholars to share their work with a global audience. Users can download PDF files of research papers, theses, and dissertations covering a wide range of subjects. Academia.edu also provides a platform for discussions and networking within the academic community. When it comes to downloading Introduction To Internal Combustion Engine Richard Stone free PDF files of magazines, brochures, and catalogs, Issuu is a popular choice. This digital publishing platform hosts a vast collection of publications from around the world. Users can search for specific titles or explore various

categories and genres. Issuu offers a seamless reading experience with its user-friendly interface and allows users to download PDF files for offline reading. Apart from dedicated platforms, search engines also play a crucial role in finding free PDF files. Google, for instance, has an advanced search feature that allows users to filter results by file type. By specifying the file type as "PDF," users can find websites that offer free PDF downloads on a specific topic. While downloading Introduction To Internal Combustion Engine Richard Stone free PDF files is convenient, it's important to note that copyright laws must be respected. Always ensure that the PDF files you download are legally available for free. Many authors and publishers voluntarily provide free PDF versions of their work, but it's essential to be cautious and verify the authenticity of the source before downloading Introduction To Internal Combustion Engine Richard Stone. In conclusion, the internet offers numerous platforms and websites that allow users to download free PDF files legally. Whether it's classic literature, research papers, or magazines, there is something for everyone. The platforms mentioned in this article, such as Project Gutenberg, Open Library, Academia.edu, and Issuu, provide access to a vast collection of PDF files. However, users should always be cautious and verify the legality of the source before downloading Introduction To Internal Combustion Engine Richard Stone any PDF files. With these platforms, the world of PDF downloads is just a click away.

FAQs About Introduction To Internal Combustion Engine Richard Stone Books

How do I know which eBook platform is the best for me? Finding the best eBook platform depends on your reading preferences and device compatibility. Research different platforms, read user reviews, and explore their features before making a choice. Are free eBooks of good quality? Yes, many reputable platforms offer high-quality free eBooks, including classics and public domain works. However, make sure to verify the source to ensure the eBook's credibility. Can I read eBooks without an eReader? Absolutely! Most eBook platforms offer web-based readers or mobile apps that allow you to read eBooks on your computer, tablet, or smartphone. How do I avoid digital eye strain while reading eBooks? To prevent digital eye strain, take regular breaks, adjust the font size and background color, and ensure proper lighting while reading eBooks. What's the advantage of interactive eBooks? Interactive eBooks incorporate multimedia elements, quizzes, and activities, enhancing the reader's engagement and providing a more immersive learning experience. Introduction To Internal Combustion Engine Richard Stone is one of the best books in our library for free trial. We provide a copy of Introduction To Internal Combustion Engine Richard Stone in digital format, so the resources that you find are reliable. There are also many eBooks of related topics with Introduction To Internal Combustion Engine Richard Stone. Where to download Introduction To Internal Combustion Engine Richard Stone online for free? Are you looking for Introduction To Internal Combustion Engine Richard Stone PDF? This is definitely going to save you time and cash in something you should think about.

Find Introduction To Internal Combustion Engine Richard Stone :

study United States 72-907 retirement planning case study for creators

checklist for entrepreneurs 72-997 VPN services checklist for small

72-996 startup funding roadmap America 72-496 startup funding roadmap

writing tools for startups 72-2634 resume writing trends for small

marketing examples for startups 72-2598 AI marketing explained for

organization blueprint United States 72-2318 home organization blueprint

72-411 passive income ideas examples America 72-2487 passive income

72-2303 fitness routines case study for small business 72-232 fitness

online business examples United States 72-1239 online business examples

entrepreneurs 72-2782 NFT marketplace for beginners for startups 72-652

comparison America 72-2232 VPN services comparison USA 72-1914 VPN

entrepreneurs 72-701 online privacy checklist for small business 72-1322

72-341 print on demand roadmap United States 72-1533 print on demand

72-1496 chatbot development review for creators 72-2495 chatbot

entrepreneurs 72-1785 blog monetization tutorial for small business

Introduction To Internal Combustion Engine Richard Stone :

hands on blockchain for python developers gain blockchain - Aug 02 2022

web details table of contents accessibility hands on blockchain for python developers gain blockchain programming skills to build decentralized applications using python

hands on blockchain for python developers gain blockchain - Feb 08 2023

web hands on blockchain for python developers starts by demonstrating how blockchain technology and cryptocurrency hashing works you will understand the fundamentals

hands on blockchain for python developers overdrive - Feb 25 2022

web next we started to build a desktop cryptocurrency wallet we divided the application into many parts the blockchain the thread the widget the identicon tool and the test the

hands on blockchain for python developers gain blockchain - Jul 01 2022

web if you are a python developer who wants to enter the world of blockchain hands on blockchain for python developers is

for you the book will be your go to guide to

hands on blockchain for python developers gain bl - Sep 22 2021

web jul 18 2019 ebook details paperback 450 pages publisher wow ebook february 14 2019 language english isbn 10 1788627857 isbn 13 978 1788627856 ebook

hands on blockchain for python developers packt - Oct 04 2022

web if you are a python developer who wants to enter the world of blockchain hands on blockchain for python developers is for you the book will be your go to guide to

hands on blockchain for python developers 1st edition - Sep 03 2022

web hands on blockchain for python developers starts by demonstrating how blockchain technology and cryptocurrency hashing works you will understand the fundamentals

hands on blockchain for python developers book o reilly media - Nov 05 2022

web buy hands on blockchain for python developers gain blockchain programming skills to build decentralized applications using python by kok arjuna sky isbn

hands on blockchain for python developers free pdf download - Oct 24 2021

web mar 24 2023 hands on blockchain for python developers gain bl when people should go to the book stores search creation by shop shelf by shelf it is truly

hands on blockchain for python developers gain - Mar 09 2023

web hands on blockchain for python developers gain blockchain programming skills to build decentralized applications using python kok arjuna sky amazon com tr kitap

hands on blockchain for python developers github - Jan 07 2023

web hands on blockchain for python developers gain blockchain programming skills to build decentralized applications using python ebook written by arjuna sky kok read

hands on blockchain for python developers gain blockchain - May 11 2023

web feb 14 2019 if you are a python developer who wants to enter the world of blockchain hands on blockchain for python developers is for you the book will be your go to

hands on blockchain for python developers gain blockchain - Apr 10 2023

web feb 14 2019 this book serves as a practical guide to developing a full fledged decentralized application with python to interact with the various building blocks of

hands on blockchain for python developers gain bl - Jan 27 2022

web feb 14 2019 if you are a python developer who wants to enter the world of blockchain hands on blockchain for python

developers is for you the book will be your go to

hands on blockchain for python developers gain blockchain - Dec 06 2022

web this is the code repository for hands on blockchain for python developers published by packt gain blockchain programming skills to build decentralized applications using

hands on blockchain for python developers google books - Jun 12 2023

arjuna sky kokhas experience more than 10 years in expressing himself as a software engineer he has developed web applications using symfony laravel see more

summary hands on blockchain for python developers packt - Mar 29 2022

web in this chapter we learned how to build a gui frontend for a smart contract and how to use qt for python or the pyside2 library which utilizes the qt 5 library we set time aside to

hands on blockchain for python developers gain bl pdf - Dec 26 2021

web hands on blockchain for python developers gain bl yeah reviewing a book hands on blockchain for python developers gain bl could mount up your close connections

packtpublishing hands on blockchain for pytho - Aug 14 2023

blockchain is seen as the main technological solution that works as a public ledger for all cryptocurrency transactions this book serves as a practical guide to developing a full fledged decentralized application with python to interact with the various building blocks of blockchain applications this book covers the see more

hands on blockchain for python developers gain bl pdf - Nov 24 2021

web mar 25 2023 right here we have countless ebook hands on blockchain for python developers gain bl and collections to check out we additionally manage to pay for

hands on blockchain for python developers perlego - May 31 2022

web if you are a python developer who wants to enter the world of blockchain hands on blockchain for python developers is for you the book will be your go to guide to

hands on blockchain for python developers gain blockchain - Jul 13 2023

all of the code is organized into folders for example chapter02 the code will look like the following following is what you need for this book if you are a python see more

summary hands on blockchain for python developers packt - Apr 29 2022

web if you are a python developer who wants to enter the world of blockchain hands on blockchain for python developers is for you the book will be your go to guide to

secondary evidence on chemistry ca exothermic neutralisation - May 24 2022

web merely said the secondary evidence on chemistry ca exothermic neutralisation is universally compatible gone any devices to read journal chemical society great

secondary evidence on chemistry ca exothermic neutralisation - Feb 01 2023

web oct 2 2023 secondary evidence on chemistry ca exothermic neutralisation author git 02 infra lede project org 2023 10 02 23 58 25 subject secondary evidence on

neutralization reaction is an example of a exothermic reaction - Sep 27 2022

web oct 30 2023 310 8k views hint an exothermic reaction involves release of heat when formation of products takes place while in case of endothermic reaction heat is

secondary evidence on chemistry ca exothermic neutralisation - Jul 26 2022

web evidence on chemistry ca exothermic neutralisation can be taken as competently as picked to act chemistry of high energy materials thomas m klapötke 2015 11 13

secondary evidence on chemistry ca exothermic neutralisation - Mar 22 2022

web secondary evidence on chemistry ca exothermic neutralisation secondary evidence on chemistry ca exothermic neutralisation 2 downloaded from

investigation into temperature change during neutralisation - Oct 29 2022

web the reaction of neutralisation is exothermic because of the bonds being broken and made in the reaction when bonds are broken energy in those bonds are taken in and in this

secondary evidence on chemistry ca exothermic neutralisation - Apr 22 2022

web secondary evidence on chemistry ca exothermic neutralisation this is likewise one of the factors by obtaining the soft documents of this secondary evidence on chemistry

secondary evidence on chemistry ca exothermic neutralisation - Jun 05 2023

web is secondary evidence on chemistry ca exothermic neutralisation below process intensification technologies for green chemistry kamelia boodhoo 2013 01 03 the

secondary evidence on chemistry ca exothermic neutralisation - May 04 2023

web secondary evidence on chemistry ca exothermic neutralisation author laurenz schierokauer from orientation sutd edu sg subject secondary evidence on

secondary evidence on chemistry ca exothermic neutralisation - Dec 19 2021

web jun 4 2023 look guide secondary evidence on chemistry ca exothermic neutralisation as you such as by searching the title publisher or authors of guide you essentially

secondary evidence on chemistry ca exothermic neutralisation - Jun 24 2022

web secondary evidence on chemistry ca exothermic neutralisation right here we have countless ebook secondary evidence on chemistry ca exothermic neutralisation

secondary evidence on chemistry ca exothermic neutralisation - Jan 20 2022

web may 8 2023 secondary evidence on chemistry ca exothermic neutralisation below extremophiles maulin p shah 2022 12 19 this book covers the latest development in

secondary evidence on chemistry ca exothermic neutralisation - Feb 18 2022

web success next door to the pronouncement as competently as perspicacity of this secondary evidence on chemistry ca exothermic neutralisation can be taken as well as picked

secondary evidence on chemistry ca exothermic neutralisation - Nov 29 2022

web sep 16 2023 secondary evidence on chemistry ca exothermic neutralisation 1 9 downloaded from uniport edu ng on september 16 2023 by guest secondary evidence

secondary evidence on chemistry ca exothermic neutralisation - Jul 06 2023

web secondary evidence on chemistry ca exothermic neutralisation examples explanations for california evidence matthew bender practice guide california e

quora a place to share knowledge and better understand the world - Aug 27 2022

web we would like to show you a description here but the site won t allow us

secondary evidence on chemistry ca exothermic neutralisation - Apr 03 2023

web federal and california evidence rules 2009 life sciences and chemical patent practice in canada the biosynthesis of secondary metabolites matthew bender practice guide

why is a neutralisation reaction exothermic example socratic - Dec 31 2022

web sep 19 2014 bond formation is an exothermic process hence the reaction is exothermic because bonds are being formed eg 3 citric acid can be neutralised by sodium

secondary evidence on chemistry ca exothermic neutralisation - Sep 08 2023

web secondary evidence on chemistry ca exothermic neutralisation treatise on process metallurgy volume 3 industrial processes 2013 12 09 process metallurgy provides

secondary evidence on chemistry ca exothermic neutralisation - Aug 07 2023

web secondary evidence on chemistry ca exothermic neutralisation student reasoning in organic chemistry feb 12 2021 reasoning about structure reactivity and chemical

secondary evidence on chemistry ca exothermic neutralisation - Oct 09 2023

web a level chemistry challenging practice questions concise yellowreef mar 05 2022 actual gce exam question types must

have critical resource for students and tutors all trick question types since 1997 covered answer keys provided complete edition and

[energy changes in neutralisation experiment rsc education](#) - Mar 02 2023

web use this class practical to explore energy changes in neutralisation at dropscale students observe the reaction of hydrochloric acid with magnesium before adding sodium

[xtremepapers](#) - May 01 2022

web revise for your a levels gcse from latest past papers revision notes marking schemes get answers to your questions on revision exams or student life

[*xtremepapers o level past papers english 2013 learno com*](#) - Feb 27 2022

web oct 20 2022 guides you could enjoy now is xtremepapers o level past papers english 2013 below complete physics for cambridge igcse stephen pople 2015 09 03 fully updated and matched to the cambridge syllabus this stretching student book is trusted by teachers around the world to support advanced understanding and achievement at igcse

o level english language past papers cie notes - Nov 07 2022

web complete o level english language past papers the cambridge o level english language syllabus enables learners to communicate accurately appropriately and effectively and to understand and respond appropriately and imaginatively to what they read and experience 1123 o level 2013 english language 1123 o level 2014

papers xtremepapers - May 13 2023

web download past papers marking schemes specimen papers examiner reports syllabus and other exam materials for caie edexcel ib ielts sat toefl and much more

bookmark file xtremepapers o level past papers english 2013 - Dec 28 2021

web may 14 2023 bookmark file xtremepapers o level past papers english 2013 free download pdf gce o level examination past papers with answer guides chemistry india edition gce o level examination past papers with answer guides maths india edition gce o level examination past papers with answer guides physics india edition gce

o level english paper 2013 11 pdf files past papers archive - Oct 06 2022

web here are 11 results for o level english paper 2013 1 o level english paper 2013 pdf o level english paper 2013 oiters de browse and read o level english paper 2013 o level english paper 2013 one day you will discover a new adventure and knowledge by spending more money 2 english november 2013 papers o level pdf

papers xtremepapers - Aug 16 2023

web papers xtremepapers

o level topical past papers xtremepapers - Jun 02 2022

web dec 9 2021 for almost 10 years the site xtremepapers has been trying very hard to serve its users however we are now struggling to cover its operational costs due to unforeseen circumstances if we helped you in any way kindly contribute and be

papers xtremepapers - Aug 04 2022

web 9695 literature in english learner guide 2015 v2 pdf 344 4 kb 9695 literature in english paper 3 ecr v1 final pdf 18 7 mb
9695 literature in english paper 4 ecr v1 pdf 13 2 mb 9695 literature in english paper 5 ecr v1 pdf 16 6 mb

past papers o levels english 1123 2021 gce guide - Mar 31 2022

web aug 13 2023 past papers of o levels english 1123 2021 cambridge o levels cambridge igcse cambridge int l as a levels caie october november 2023 session starts 24 days 09 hours

o level english past papers teachfyme - Jan 09 2023

web get latest cambridge o level english past papers marking schemes specimen papers examiner reports and grade thresholds our o level english past papers section is uploaded with the latest o level english may june 20 20 past paper you can download the past papers of both may june and october november sessions and of different

past papers o levels gce guide - Dec 08 2022

web aug 13 2023 past papers of o levels cambridge o levels cambridge igcse cambridge int l as a levels caie october november 2023 session starts 28 days 16 hours

downloadable free pdfs xtremepapers o level past papers english 2013 - Jan 29 2022

web xtremepapers o level past papers english 2013 chemistry feb 09 2021 cambridge igcse o level mathematics 0580 fully solved past papers extended paper 4 aug 30 2022 cambridge igcse o level mathematics 0580 fully solved past papers extended paper 4 very useful to o level students of any

past papers o levels english 1123 gce guide - Apr 12 2023

web aug 13 2023 past papers o levels english 1123 gce guide past papers of o levels english 1123 cambridge o levels cambridge igcse cambridge int l as a levels caie october november 2023 session starts 25 days 05 hours 47 minutes 21 seconds update s 13 08 2023 new as a level latest papers added

past papers xtremepapers - Sep 05 2022

web dec 13 2021 a guys i have found the updated cambridge past papers i have searched the whole internet for the updated nov 2019 past papers for cambridge and i have found this website igunioneq com pastpapers igunioneq com also it has other boards like aqa ccea ocr so i am glad to share with you this awesome

papers xtremepapers - Feb 10 2023

web download past papers marking schemes specimen papers examiner reports syllabus and other exam materials for caie

edexcel ib ielts sat toefl and much more

papers xtremepapers - Jun 14 2023

web english as a second language count in speaking 9 1 0991 dir english as a second language speaking endorsement 0510 dir english as a second language speaking endorsement 9 1 0993 dir english literature english 0486 dir english literature us 0427 dir english literature in english 0475 dir

o levels gcse igcse xtremepapers - Mar 11 2023

web sep 6 2023 discuss o levels gcse igcse and other level two qualifications xtremepapers home what s new latest activity authors papers caie edexcel ielts sat ib forums new posts search forums revision what s new for almost 10 years the site xtremepapers has been trying very hard to serve its users however we are

papers xtremepapers - Jul 15 2023

web download past papers marking schemes specimen papers examiner reports syllabus and other exam materials for caie edexcel ib ielts sat toefl and much more

xtreme past papers 9 pdf files past papers archive - Jul 03 2022

web enter the search term in the box below and click the search archive button here are 9 results for xtreme past papers 1 chemistry 5070 42 paper 4 question paper octobe r 2012 pdf xtremepapers o level past papers this document consists of 18 printed pages and 2 blank pages