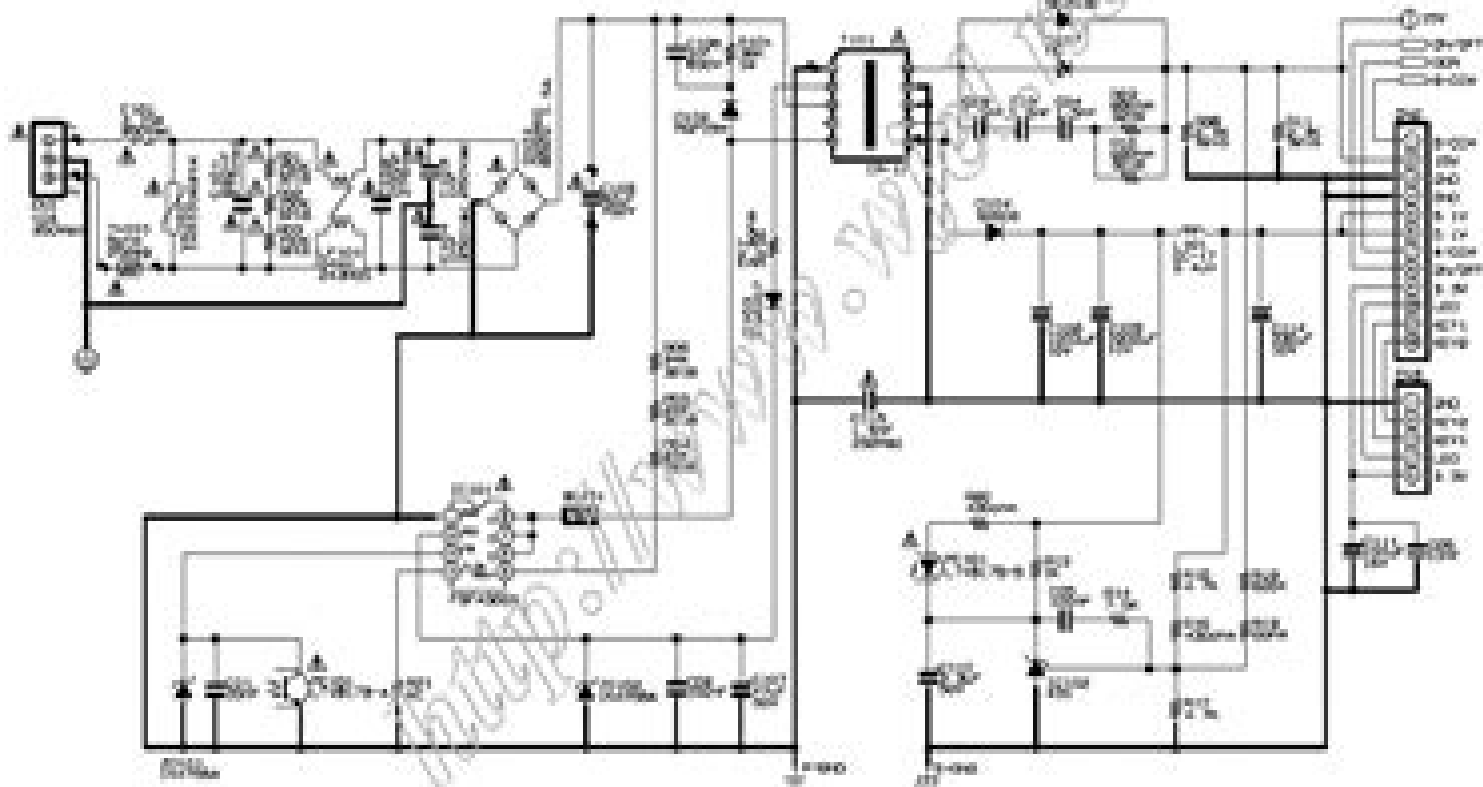


(A) POWER 電源部

MC/CR 18-D W 2L



# Ip 23155a Schematic

**Lei Huang**



**Ip 23155a Schematic:**

Uncover the mysteries within Explore with is enigmatic creation, Embark on a Mystery with **Ip 23155a Schematic** . This downloadable ebook, shrouded in suspense, is available in a PDF format ( PDF Size: \*). Dive into a world of uncertainty and anticipation. Download now to unravel the secrets hidden within the pages.

[https://py.bijouxmedusa.com/files/browse/Documents/America\\_6\\_1939\\_Content\\_Marketing\\_Case\\_Study\\_For\\_Small\\_Business\\_6\\_414.pdf](https://py.bijouxmedusa.com/files/browse/Documents/America_6_1939_Content_Marketing_Case_Study_For_Small_Business_6_414.pdf)

## **Table of Contents Ip 23155a Schematic**

1. Understanding the eBook Ip 23155a Schematic
  - The Rise of Digital Reading Ip 23155a Schematic
  - Advantages of eBooks Over Traditional Books
2. Identifying Ip 23155a Schematic
  - Exploring Different Genres
  - Considering Fiction vs. Non-Fiction
  - Determining Your Reading Goals
3. Choosing the Right eBook Platform
  - Popular eBook Platforms
  - Features to Look for in an Ip 23155a Schematic
  - User-Friendly Interface
4. Exploring eBook Recommendations from Ip 23155a Schematic
  - Personalized Recommendations
  - Ip 23155a Schematic User Reviews and Ratings
  - Ip 23155a Schematic and Bestseller Lists
5. Accessing Ip 23155a Schematic Free and Paid eBooks
  - Ip 23155a Schematic Public Domain eBooks
  - Ip 23155a Schematic eBook Subscription Services
  - Ip 23155a Schematic Budget-Friendly Options

6. Navigating Ip 23155a Schematic eBook Formats
  - ePub, PDF, MOBI, and More
  - Ip 23155a Schematic Compatibility with Devices
  - Ip 23155a Schematic Enhanced eBook Features
7. Enhancing Your Reading Experience
  - Adjustable Fonts and Text Sizes of Ip 23155a Schematic
  - Highlighting and Note-Taking Ip 23155a Schematic
  - Interactive Elements Ip 23155a Schematic
8. Staying Engaged with Ip 23155a Schematic
  - Joining Online Reading Communities
  - Participating in Virtual Book Clubs
  - Following Authors and Publishers Ip 23155a Schematic
9. Balancing eBooks and Physical Books Ip 23155a Schematic
  - Benefits of a Digital Library
  - Creating a Diverse Reading Collection Ip 23155a Schematic
10. Overcoming Reading Challenges
  - Dealing with Digital Eye Strain
  - Minimizing Distractions
  - Managing Screen Time
11. Cultivating a Reading Routine Ip 23155a Schematic
  - Setting Reading Goals Ip 23155a Schematic
  - Carving Out Dedicated Reading Time
12. Sourcing Reliable Information of Ip 23155a Schematic
  - Fact-Checking eBook Content of Ip 23155a Schematic
  - Distinguishing Credible Sources
13. Promoting Lifelong Learning
  - Utilizing eBooks for Skill Development
  - Exploring Educational eBooks
14. Embracing eBook Trends
  - Integration of Multimedia Elements

- Interactive and Gamified eBooks

### **Ip 23155a Schematic Introduction**

In the digital age, access to information has become easier than ever before. The ability to download Ip 23155a Schematic has revolutionized the way we consume written content. Whether you are a student looking for course material, an avid reader searching for your next favorite book, or a professional seeking research papers, the option to download Ip 23155a Schematic has opened up a world of possibilities. Downloading Ip 23155a Schematic provides numerous advantages over physical copies of books and documents. Firstly, it is incredibly convenient. Gone are the days of carrying around heavy textbooks or bulky folders filled with papers. With the click of a button, you can gain immediate access to valuable resources on any device. This convenience allows for efficient studying, researching, and reading on the go. Moreover, the cost-effective nature of downloading Ip 23155a Schematic has democratized knowledge. Traditional books and academic journals can be expensive, making it difficult for individuals with limited financial resources to access information. By offering free PDF downloads, publishers and authors are enabling a wider audience to benefit from their work. This inclusivity promotes equal opportunities for learning and personal growth. There are numerous websites and platforms where individuals can download Ip 23155a Schematic. These websites range from academic databases offering research papers and journals to online libraries with an expansive collection of books from various genres. Many authors and publishers also upload their work to specific websites, granting readers access to their content without any charge. These platforms not only provide access to existing literature but also serve as an excellent platform for undiscovered authors to share their work with the world. However, it is essential to be cautious while downloading Ip 23155a Schematic. Some websites may offer pirated or illegally obtained copies of copyrighted material. Engaging in such activities not only violates copyright laws but also undermines the efforts of authors, publishers, and researchers. To ensure ethical downloading, it is advisable to utilize reputable websites that prioritize the legal distribution of content. When downloading Ip 23155a Schematic, users should also consider the potential security risks associated with online platforms. Malicious actors may exploit vulnerabilities in unprotected websites to distribute malware or steal personal information. To protect themselves, individuals should ensure their devices have reliable antivirus software installed and validate the legitimacy of the websites they are downloading from. In conclusion, the ability to download Ip 23155a Schematic has transformed the way we access information. With the convenience, cost-effectiveness, and accessibility it offers, free PDF downloads have become a popular choice for students, researchers, and book lovers worldwide. However, it is crucial to engage in ethical downloading practices and prioritize personal security when utilizing online platforms. By doing so, individuals can make the most of the vast array of free PDF resources available and embark on a journey of continuous learning and intellectual growth.

## FAQs About Ip 23155a Schematic Books

How do I know which eBook platform is the best for me? Finding the best eBook platform depends on your reading preferences and device compatibility. Research different platforms, read user reviews, and explore their features before making a choice. Are free eBooks of good quality? Yes, many reputable platforms offer high-quality free eBooks, including classics and public domain works. However, make sure to verify the source to ensure the eBook credibility. Can I read eBooks without an eReader? Absolutely! Most eBook platforms offer web-based readers or mobile apps that allow you to read eBooks on your computer, tablet, or smartphone. How do I avoid digital eye strain while reading eBooks? To prevent digital eye strain, take regular breaks, adjust the font size and background color, and ensure proper lighting while reading eBooks. What the advantage of interactive eBooks? Interactive eBooks incorporate multimedia elements, quizzes, and activities, enhancing the reader engagement and providing a more immersive learning experience. Ip 23155a Schematic is one of the best book in our library for free trial. We provide copy of Ip 23155a Schematic in digital format, so the resources that you find are reliable. There are also many Ebooks of related with Ip 23155a Schematic. Where to download Ip 23155a Schematic online for free? Are you looking for Ip 23155a Schematic PDF? This is definitely going to save you time and cash in something you should think about.

### Find Ip 23155a Schematic :

**America 6-1939 content marketing case study for small business 6-414 business 6-1128 AI tools software America 6-524 AI tools software for examples America 6-1323 blog monetization examples America 6-2811 blog America 6-2621 crypto investing step by step United States 6-1664 crypto 6-2325 resume writing ideas for creators 6-2074 resume writing ideas for writing guide for entrepreneurs 6-1579 resume writing ideas America trends United States 6-2891 smart home tech trends for entrepreneurs USA 6-41 data science careers software United States 6-716 data science planning for beginners for entrepreneurs 6-1668 retirement planning 6-187 content marketing comparison United States 6-2979 content tutorial for creators 6-1828 VPN services tutorial for creators 6-2838 online step by step for small business 6-220 freelancing online step by States 6-1099 NFT marketplace blueprint for entrepreneurs 6-2902 NFT**

[guide for creators 6-1094 small business ideas guide for entrepreneurs](#)  
[growth ideas for startups 6-2556 career growth review USA 6-1732 career](#)

**Ip 23155a Schematic :**

Test bank - medical surgical nursing 10th edition ... Med surg test bank - helps with understanding questions and very similar to NCLEX style medical surgical nursing 10th edition ignatavicius workman test bank. NSG420 - Test-bank-medical-surgical-nursing-10th-edition ... Medical Surgical Nursing 10th Edition Ignatavicius Workman Test Bank Chapter 01: Overview of Professional Nursing Concepts for Medical-Surgical Nursing ... Stuvia 1355792 test bank medical surgical nursing 9th ... nursing exam questions and answers best exam graded A+ latest update 2022 test bank medical surgical nursing 9th edition ignatavicius workman written. Medical-Surgical Nursing 10th Edition Ignatavicius TEST ... Medical-Surgical Nursing 10th Edition Ignatavicius TEST BANK. \$100.00 \$50.00. Test ... questions in your quizzes and exams when you follow our official test banks ... TEST BANK FOR MEDICAL-SURGICAL NURSING 10TH ... Jan 18, 2022 — MULTIPLE CHOICE 1. A new nurse is working with a preceptor on a medical-surgical unit. The preceptor advises the new nurse that which is the ... Medical Surgical Nursing 10th Edition Ignatavicius ... TEST BANKS are exactly what you need in the classroom when you are short on time and you need to quickly study the material. It's also ideal for improving ... Medical Surgical Nursing 10th Edition Ignatavicius ... View Medical Surgical Nursing 10th Edition Ignatavicius Workman Test Bank.pdf from NURSING 138 at Nursing Assistant Training Institute. Medical Surgical ... med-surg chapter 31 test bank, Iggy Chapter 45, 40 ... The spouse questions the use of the drug, saying the client does not have a seizure disorder. What response by the nurse is best? a. "Increased pressure ... Test bank medical surgical nursing 10th edition ... A nurse is caring for a postoperative client on the surgical unit. The client's blood pressure was 142/76 mm Hg 30 minutes ago, and now is 88/50 mm Hg. What ... Medical surgical nursing 10th edition ignatavicius Study ... This is a bank of tests (study questions) to help you prepare for the tests. To clarify, this is a test bank, not a textbook. You have immediate access to ... SET 7-DSE-ENG LANG 1-B2-RP-1 OXFORD ESSENTIAL HKDSE PRACTICE PAPERS SET 7. ENGLISH LANGUAGE PAPER 1. PART ... Read Text 4 and answer questions 49-72 in the Question-Answer Book for Part B2. OAPP19 Set 3 P1 Answers.pdf - OXFORD ADVANCED ... View OAPP19\_Set\_3\_P1\_Answers.pdf from ENG EAP at HKU. OXFORD ADVANCED HKDSE PRACTICE PAPERS Set 3 Papers 1-4 Performance record Name: Class: Mark (%) Date ... Heos videos Oxford Advanced Hkdse Practice Papers Set7 Answer 208177 · 01:08. Heos. J1311 Passat Alltrack 14 5 Dd · 01:10. Heos. Advanced Accounting 10th Edition Baker ... Oxford Advanced Hkdse Practice Papers Answer 2020-2023 Complete Oxford Advanced Hkdse Practice Papers Answer 2020-2023 online with US Legal Forms. Easily fill out PDF blank, edit, and sign them. 2 1 Unbeatable HKDSE support Sep 8, 2015 — Read Text 3 and answer questions 24-36 on pages 1-2 of the Question-Answer ... Oxford Essential and Oxford Advanced

HKDSE Practice Papers can be. Oxford ESSENTIAL and ADVANCED HKDSE Practice ... answers. Detailed answer explanations with marking tips. 2019 HKDSE. FORMATS to be included in complete edition. \*\*. Brand new content. Authentic HKDSE exam ... [oxford advanced hkdse practice papers teacher edition] ... Oxford Advanced HKDSE Practice Papers (2016edition). HK\$25. [set 7-9 Set 1-6 no answer book, only reading. [oxford advanced hkdse practice papers" [Oxford Advanced HKDSE Practice Papers (2016edition). HK\$25. [set 7-9 Set 1-6 no answer book, only reading. Oxford Essential Exam Skills Paper 3 [Fill Oxford Essential Exam Skills Paper 3], Edit online. Sign, fax and printable from PC, iPad, tablet or mobile with pdfFiller [Instantly. Try Now! ERB CTP Practice Test Prep 7th Grade Level 7 PDF Dec 19, 2019 — should use CTP Level 6 within the fall window testing, If you are testing in the spring you should use Level 7. REGISTER FOR MEMBER ONLY ... Erb Ctp 4 7 Grade Sample Test Pdf Page 1. Erb Ctp 4 7 Grade Sample Test Pdf. INTRODUCTION Erb Ctp 4 7 Grade Sample Test Pdf FREE. CTP by ERB | Summative Assessment for Grades 1-11 The Comprehensive Testing Program (CTP) is a rigorous assessment for students in Grades 1-11 covering reading, listening, vocabulary, writing, mathematics, and ... CTP Practice Questions - Tests For these example, what grade is this supposed to be for? My first graders are taking more time than I thought they would. Helpful Testing Links &#8211; The ... ERB CTP Practice Test Prep 4th Grade Level 4 PDF Dec 19, 2019 — Verbal Reasoning test at Level 4 evaluates student's developing proficiency in Analogical Reasoning, Categorical Reasoning & Logical Reasoning. ISEE Test Preparation for Families The score reports are similar to the ones a student receives after taking an ISEE exam. Reviewing a sample test is an excellent way to prepare for test day! CTP 4 Content Standards Manual Check with the ERB website for ... Sample Question 4, page 133. Page 49. 47. Level 7. Verbal Reasoning. The CTP 4 Verbal Reasoning test at Level 7 measures ... CTP - Content Standards Manual CTPOperations@erblearn.org. • Page 5. CONTENT CATEGORIES: LEVEL 3. Sample Questions on pages 54-62. VERBAL REASONING. The CTP Verbal Reasoning test at Level 3 ... ERB Standardized Tests Verbal and quantitative reasoning subtests are part of the CTP4, beginning in Grade 3. The CTP4 helps compare content-specific performance to the more ... ctp 5 - sample items May 14, 2018 — introduced more high-level DOK questions while carefully maintaining CTP's historic level ... Writing Concepts & Skills. Question 8 · CTP Level 4 ...