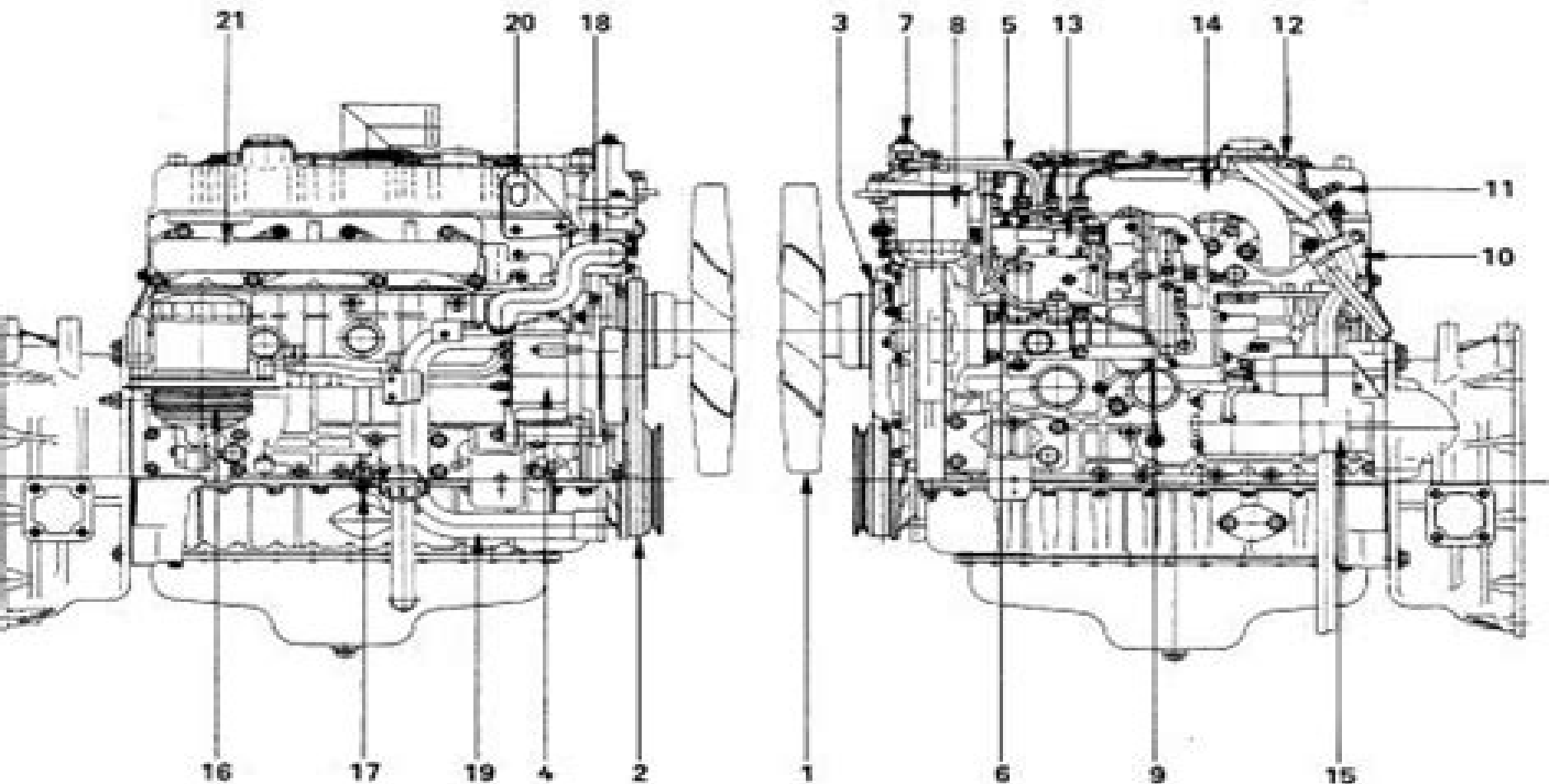


# SERVICE MANUAL

## 4JB1 ISUZU

### ENGINES



# Isuzu Engine Repair Manual

**Thomas Griffiths**



## **Isuzu Engine Repair Manual:**

This is likewise one of the factors by obtaining the soft documents of this **Isuzu Engine Repair Manual** by online. You might not require more grow old to spend to go to the ebook launch as well as search for them. In some cases, you likewise pull off not discover the publication Isuzu Engine Repair Manual that you are looking for. It will no question squander the time.

However below, like you visit this web page, it will be suitably extremely simple to acquire as well as download lead Isuzu Engine Repair Manual

It will not give a positive response many era as we accustom before. You can complete it while decree something else at home and even in your workplace. in view of that easy! So, are you question? Just exercise just what we give below as capably as review **Isuzu Engine Repair Manual** what you bearing in mind to read!

[https://py.bijouxmedusa.com/files/detail/default.aspx/Machine\\_Learning\\_An\\_Algorithmic\\_Perspective\\_Second\\_Edition\\_Chapman\\_Hallcrc\\_Machine\\_Learning\\_Pattern\\_Recognition.pdf](https://py.bijouxmedusa.com/files/detail/default.aspx/Machine_Learning_An_Algorithmic_Perspective_Second_Edition_Chapman_Hallcrc_Machine_Learning_Pattern_Recognition.pdf)

## **Table of Contents Isuzu Engine Repair Manual**

1. Understanding the eBook Isuzu Engine Repair Manual
  - The Rise of Digital Reading Isuzu Engine Repair Manual
  - Advantages of eBooks Over Traditional Books
2. Identifying Isuzu Engine Repair Manual
  - Exploring Different Genres
  - Considering Fiction vs. Non-Fiction
  - Determining Your Reading Goals
3. Choosing the Right eBook Platform
  - Popular eBook Platforms
  - Features to Look for in an Isuzu Engine Repair Manual
  - User-Friendly Interface

4. Exploring eBook Recommendations from Isuzu Engine Repair Manual
  - Personalized Recommendations
  - Isuzu Engine Repair Manual User Reviews and Ratings
  - Isuzu Engine Repair Manual and Bestseller Lists
5. Accessing Isuzu Engine Repair Manual Free and Paid eBooks
  - Isuzu Engine Repair Manual Public Domain eBooks
  - Isuzu Engine Repair Manual eBook Subscription Services
  - Isuzu Engine Repair Manual Budget-Friendly Options
6. Navigating Isuzu Engine Repair Manual eBook Formats
  - ePub, PDF, MOBI, and More
  - Isuzu Engine Repair Manual Compatibility with Devices
  - Isuzu Engine Repair Manual Enhanced eBook Features
7. Enhancing Your Reading Experience
  - Adjustable Fonts and Text Sizes of Isuzu Engine Repair Manual
  - Highlighting and Note-Taking Isuzu Engine Repair Manual
  - Interactive Elements Isuzu Engine Repair Manual
8. Staying Engaged with Isuzu Engine Repair Manual
  - Joining Online Reading Communities
  - Participating in Virtual Book Clubs
  - Following Authors and Publishers Isuzu Engine Repair Manual
9. Balancing eBooks and Physical Books Isuzu Engine Repair Manual
  - Benefits of a Digital Library
  - Creating a Diverse Reading Collection Isuzu Engine Repair Manual
10. Overcoming Reading Challenges
  - Dealing with Digital Eye Strain
  - Minimizing Distractions
  - Managing Screen Time
11. Cultivating a Reading Routine Isuzu Engine Repair Manual
  - Setting Reading Goals Isuzu Engine Repair Manual
  - Carving Out Dedicated Reading Time

12. Sourcing Reliable Information of Isuzu Engine Repair Manual
  - Fact-Checking eBook Content of Isuzu Engine Repair Manual
  - Distinguishing Credible Sources
13. Promoting Lifelong Learning
  - Utilizing eBooks for Skill Development
  - Exploring Educational eBooks
14. Embracing eBook Trends
  - Integration of Multimedia Elements
  - Interactive and Gamified eBooks

### **Isuzu Engine Repair Manual Introduction**

In today's digital age, the availability of Isuzu Engine Repair Manual books and manuals for download has revolutionized the way we access information. Gone are the days of physically flipping through pages and carrying heavy textbooks or manuals. With just a few clicks, we can now access a wealth of knowledge from the comfort of our own homes or on the go. This article will explore the advantages of Isuzu Engine Repair Manual books and manuals for download, along with some popular platforms that offer these resources. One of the significant advantages of Isuzu Engine Repair Manual books and manuals for download is the cost-saving aspect. Traditional books and manuals can be costly, especially if you need to purchase several of them for educational or professional purposes. By accessing Isuzu Engine Repair Manual versions, you eliminate the need to spend money on physical copies. This not only saves you money but also reduces the environmental impact associated with book production and transportation. Furthermore, Isuzu Engine Repair Manual books and manuals for download are incredibly convenient. With just a computer or smartphone and an internet connection, you can access a vast library of resources on any subject imaginable. Whether you're a student looking for textbooks, a professional seeking industry-specific manuals, or someone interested in self-improvement, these digital resources provide an efficient and accessible means of acquiring knowledge. Moreover, PDF books and manuals offer a range of benefits compared to other digital formats. PDF files are designed to retain their formatting regardless of the device used to open them. This ensures that the content appears exactly as intended by the author, with no loss of formatting or missing graphics. Additionally, PDF files can be easily annotated, bookmarked, and searched for specific terms, making them highly practical for studying or referencing. When it comes to accessing Isuzu Engine Repair Manual books and manuals, several platforms offer an extensive collection of resources. One such platform is Project Gutenberg, a nonprofit organization that provides over 60,000 free eBooks. These books are primarily in the public domain, meaning they can be freely distributed and downloaded. Project Gutenberg offers a

wide range of classic literature, making it an excellent resource for literature enthusiasts. Another popular platform for Isuzu Engine Repair Manual books and manuals is Open Library. Open Library is an initiative of the Internet Archive, a non-profit organization dedicated to digitizing cultural artifacts and making them accessible to the public. Open Library hosts millions of books, including both public domain works and contemporary titles. It also allows users to borrow digital copies of certain books for a limited period, similar to a library lending system. Additionally, many universities and educational institutions have their own digital libraries that provide free access to PDF books and manuals. These libraries often offer academic texts, research papers, and technical manuals, making them invaluable resources for students and researchers. Some notable examples include MIT OpenCourseWare, which offers free access to course materials from the Massachusetts Institute of Technology, and the Digital Public Library of America, which provides a vast collection of digitized books and historical documents. In conclusion, Isuzu Engine Repair Manual books and manuals for download have transformed the way we access information. They provide a cost-effective and convenient means of acquiring knowledge, offering the ability to access a vast library of resources at our fingertips. With platforms like Project Gutenberg, Open Library, and various digital libraries offered by educational institutions, we have access to an ever-expanding collection of books and manuals. Whether for educational, professional, or personal purposes, these digital resources serve as valuable tools for continuous learning and self-improvement. So why not take advantage of the vast world of Isuzu Engine Repair Manual books and manuals for download and embark on your journey of knowledge?

### **FAQs About Isuzu Engine Repair Manual Books**

1. Where can I buy Isuzu Engine Repair Manual books? Bookstores: Physical bookstores like Barnes & Noble, Waterstones, and independent local stores. Online Retailers: Amazon, Book Depository, and various online bookstores offer a wide range of books in physical and digital formats.
2. What are the different book formats available? Hardcover: Sturdy and durable, usually more expensive. Paperback: Cheaper, lighter, and more portable than hardcovers. E-books: Digital books available for e-readers like Kindle or software like Apple Books, Kindle, and Google Play Books.
3. How do I choose a Isuzu Engine Repair Manual book to read? Genres: Consider the genre you enjoy (fiction, non-fiction, mystery, sci-fi, etc.). Recommendations: Ask friends, join book clubs, or explore online reviews and recommendations. Author: If you like a particular author, you might enjoy more of their work.
4. How do I take care of Isuzu Engine Repair Manual books? Storage: Keep them away from direct sunlight and in a dry

environment. Handling: Avoid folding pages, use bookmarks, and handle them with clean hands. Cleaning: Gently dust the covers and pages occasionally.

5. Can I borrow books without buying them? Public Libraries: Local libraries offer a wide range of books for borrowing. Book Swaps: Community book exchanges or online platforms where people exchange books.
6. How can I track my reading progress or manage my book collection? Book Tracking Apps: Goodreads, LibraryThing, and Book Catalogue are popular apps for tracking your reading progress and managing book collections. Spreadsheets: You can create your own spreadsheet to track books read, ratings, and other details.
7. What are Isuzu Engine Repair Manual audiobooks, and where can I find them? Audiobooks: Audio recordings of books, perfect for listening while commuting or multitasking. Platforms: Audible, LibriVox, and Google Play Books offer a wide selection of audiobooks.
8. How do I support authors or the book industry? Buy Books: Purchase books from authors or independent bookstores. Reviews: Leave reviews on platforms like Goodreads or Amazon. Promotion: Share your favorite books on social media or recommend them to friends.
9. Are there book clubs or reading communities I can join? Local Clubs: Check for local book clubs in libraries or community centers. Online Communities: Platforms like Goodreads have virtual book clubs and discussion groups.
10. Can I read Isuzu Engine Repair Manual books for free? Public Domain Books: Many classic books are available for free as they're in the public domain. Free E-books: Some websites offer free e-books legally, like Project Gutenberg or Open Library.

## Find Isuzu Engine Repair Manual :

**machine learning an algorithmic perspective second edition chapman hallcrc machine learning pattern recognition**

management human resource raymond stone 7th edition

**manual de telefono panasonic kx t7730 en espanol**

~~los cinco lenguajes del amor edicion para hombres como expresarle a su conyuge la sinceridad de su entrega~~

**management theory and practice by g a cole 5 edition**

**macroeconomics by rudiger dornbusch**

machine shop start up business plan new

*livro de fisica valentina*

**making the first circle work foundation for duplication in network marketing audio cassette randy gage**

making business decisions real cases from real companies english for business success student book

longman phrasal verbs dictionary paper 2nd edition phasal verbs dictionary

luminescence spectroscopy of semiconductors

**man b w s50me c8**

manly dale lazarov free

**lontano**

### **Isuzu Engine Repair Manual :**

Marcy Mathworks Marcy Mathworks · PRODUCTS · Punchline Algebra · Punchline Bridge to Algebra · Punchline Problem Solving · Middle School Math with Pizzazz! Mathimagination. Punchline Bridge To Algebra Answer Key - Fill Online ... Fill Punchline Bridge To Algebra Answer Key, Edit online. Sign, fax and printable from PC, iPad, tablet or mobile with pdfFiller  Instantly. Try Now! Punchline Algebra Punchline Algebra provides carefully structured exercise sets to build mastery of both procedures and concepts. And it includes numerous thoughtfully designed ... Section 11 Answers Answers. Pages 11.7 -11.9 extra for teachers. Answers 3. WE NEED TO FIND. MORE HOURS FOR. OUR SHELVES. 11.9. PUNCHLINE • Algebra • Book B. ©2006 Marcy Mathworks ... Punchline Algebra Book A Answer Key Fill Punchline Algebra Book A Answer Key, Edit online. Sign, fax and printable from PC, iPad, tablet or mobile with pdfFiller  Instantly. Try Now! Bridge to Algebra Pizzazz Published by Marcy Mathworks: PUNCHLINE Problem Solving • 2nd Edition ... PUNCHLINE Bridge to Algebra. ©2001 Marcy Mathworks. • 16 •  $x+5$ .  $2x + 3$ . Expressions ... What Do Man-Eating Fish Use For Barbeques? answer to title question: Shark Coal. EXTRA: Planning for a Backpacking Trip. Trex is ... PUNCHLINE Algebra  Book A. ©2006 Marcy Mathworks. . 60cal. 107. L. F. What Do You Get When You Cross a Monastery With a Lion? Write the two letters for each correct answer in the two boxes with the exercise number. ... PUNCHLINE • Algebra • Book A. ©2006 Marcy Mathworks. Page 2. 3.  $x+y=$  ... how-can-you...elimination-key.pdf @ ,qr algebra teacher drove by a farmyard full of chickens and ... How many pigs were there? b5 ehic\_L\*r.5, 55 f. , ffi. PUNCHLINE . Algebra o Book A. @2006 Marcy ... Get Punchline Algebra Book A Answer Key Pdf Complete Punchline Algebra Book A Answer Key Pdf online with US Legal Forms. Easily fill out PDF blank, edit, and sign them. Save or instantly send your ... Psychological Science, 4th Edition Pedagogy based on the science of learning encourages time-on-task while facilitating long-term retention. The fourth edition introduces “Psychology: Knowledge ... Psychological Science, 4th Edition Pedagogy based on the science of learning encourages time-on-task while facilitating long-term retention. The fourth edition introduces “Psychology: Knowledge ... Psychological Science, 4th Edition by Gazzaniga, Michael Pedagogy based on the science of learning encourages time-on-task while facilitating long-term retention. The fourth

edition introduces "Psychology: Knowledge ... Psychological Science, 4th Edition by Gazzaniga, Michael Pedagogy based on the science of learning encourages time-on-task while facilitating long-term retention. The fourth edition introduces "Psychology: Knowledge ... Psychological Science (Fourth Edition), by Gazzaniga ... Psychological Science (Fourth Edition), by Gazzaniga, Heatherton, & Halpern ; Item Number. 254606140651 ; Subject. Psychology ; Subjects. Psychology & Help ... Psychological Science (Fourth Edition) Psychological Science (Fourth Edition) > ISBN13: 9780393912760 · Rent. (Recommended). \$41.20. Term. Due. Price. Semester. Dec 15. \$41.20. Quarter. Dec 1. \$39.14. Psychological Science | Buy | 9780393911572 Full Title: Psychological Science ; Edition: 4th edition ; ISBN-13: 978-0393911572 ; Format: Hardback ; Publisher: WW Norton - College (12/21/2011). Psychological Science by Michael Gazzaniga; Diane ... Pedagogy based on the science of learning encourages time-on-task while facilitating long-term retention. The fourth edition introduces Psychology: Knowledge ... Psychological Science | Rent | 9780393912760 Full Title: Psychological Science ; Edition: 4th edition ; ISBN-13: 978-0393912760 ; Format: Paperback/softback ; Publisher: WW Norton - College (1/20/2012). PSYCHOLOGICAL SCIENCE, 4TH EDITION By Michael ... PSYCHOLOGICAL SCIENCE, 4TH EDITION By Michael Gazzaniga & Diane Halpern \*VG+\* ; Est. delivery. Wed, Oct 11 - Sat, Oct 14. From US, United States ; Returns. Understanding-business-10th-edition-nickels-test-bank ... prosperity, their actions are unlikely to benefit society as a whole. ... services that satisfy the wants of consumers. ... taught to value the welfare of others ... TEST BANK Understanding Business 10th Edition ... Get higher grades by finding the best TEST BANK Understanding Business 10th Edition by William G. Nickels, James M. McHugh and Susan M. McHugh notes ... Understanding Business 10th Edition Nickels Test Bank Mar 11, 2023 — Feedback: The right to private property is the most fundamental of all rights under capitalism. This right means that people can buy, sell, and ... Test Bank Volume 1 for Understanding Business, 10th Ed. Test Bank Volume 1 for Understanding Business, 10th Ed. [Nickels, Mchugh] on Amazon.com. \*FREE\* shipping on qualifying offers. Test Bank Volume 1 for ... Understanding Business, 10th Edition by William G. ... Understanding Business, 10th Edition by William G. Nickels, James M. McHugh and Susan M. McHugh- 10e, TEST BANK 007352459x - Free download as Word Doc ... Understanding Business Nickels 10th Edition Test Bank Understanding Business Nickels 10th Edition Test Bank - Free download as PDF File (.pdf), Text File (.txt) or read online for free. Test Bank. Understanding Canadian Business 10Th Canadian Edition ... Understanding Canadian Business 10Th Canadian Edition By William G Nickels - Test Bank To Purchase this Complete Test Bank with Answers Click the link Belo... TEST BANK FOR UNDERSTANDING... View 9781305502215-TEST-BANK.pdf from ECON 1003 at University of Technology, Jamaica. TEST BANK FOR UNDERSTANDING MANAGEMENT 10TH EDITION DAFT TEST BANK ... Business Law Today 10th Edition - Test Bank.docx BUSPROG: Reflective LO: 1-1 Bloom's:Comprehension DIF:Moderate AICPA: BB-Legal 9.In order to truly understand our legal system, it is important to understand ... Test Bank For Basic Statistics in Business and Economics ... Sep 27, 2023 — Test Bank For Basic Statistics in Business and Economics, 10th Edition All Chapters and other

examinations for , NURSING. Test Bank For ...