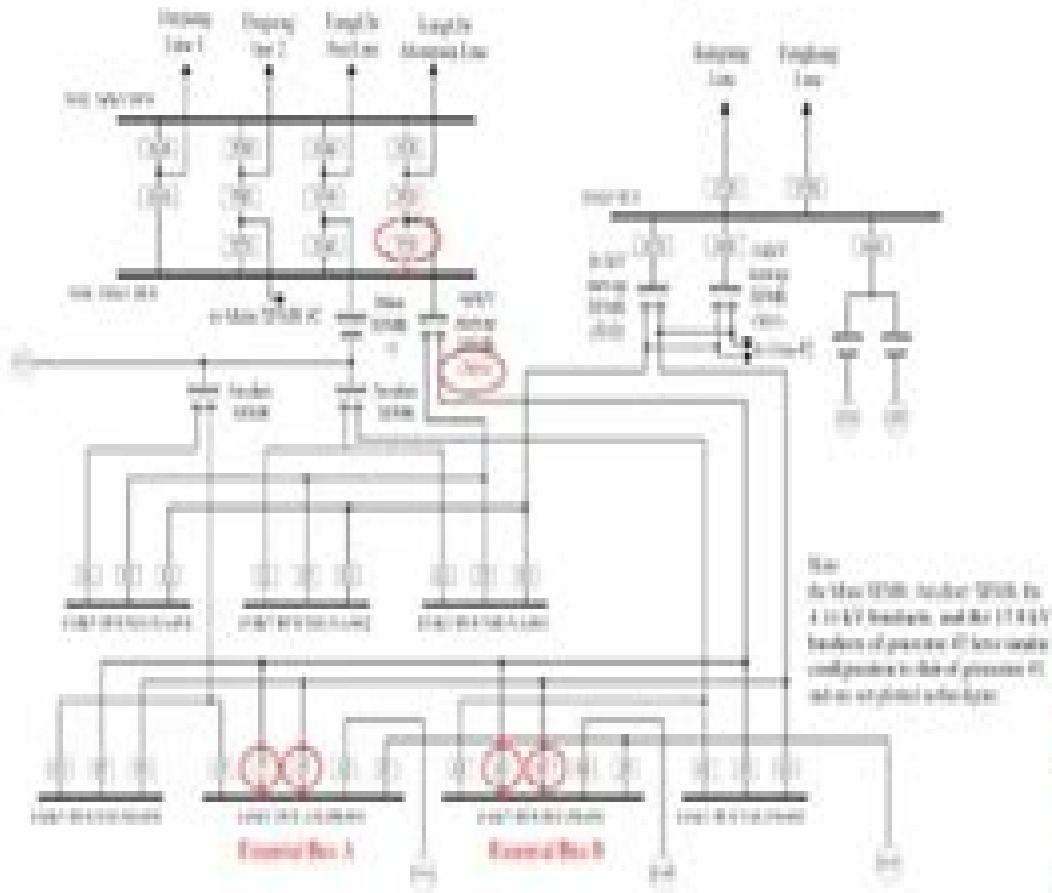


Power System Protection Systems



Electrical 4 U

Power Systems Protection Engineering Training Idc

DJ Losen



Power Systems Protection Engineering Training Idc:

Power Systems Protection, Power Quality , Practical Power System Protection Leslie Hewitson, Mark Brown, Ramesh Balakrishnan, 2005-02-28 Designed to increase understanding on a practical and theoretical basis this invaluable resource provides engineers plant operators electricians and technicians with a thorough grounding in the principles and practicalities behind power system protection Coverage of the fundamental knowledge needed to specify use and maintain power protection systems is included helping readers to increase plant efficiency performance and safety Consideration is also given to the practical techniques and engineering challenges encountered on a day to day basis making this an essential resource for all

Telecommunication Economics Antonis M. Hadjiantonis, Burkhard Stiller, 2012-04-27 This book constitutes a collaborative and selected documentation of the scientific outcome of the European COST Action IS0605 Econ Tel A Telecommunications Economics COST Network which run from October 2007 to October 2011 Involving experts from around 20 European countries the goal of Econ Tel was to develop a strategic research and training network among key people and organizations in order to enhance Europe s competence in the field of telecommunications economics Reflecting the organization of the COST Action IS0605 Econ Tel in working groups the following four major research areas are addressed evolution and regulation of communication ecosystems social and policy implications of communication technologies economics and governance of future networks future networks management architectures and mechanisms

Personal Computers and Digital Signal Processing , **Formulas and Conversions** , Communications, Industrial Networking and TCP/IP , 2012 **Practical Power Systems Protection for Engineers and Technicians** , 200? IEEE Industrial & Commercial Power Systems Technical Conference , 1984 *Electric Light and Power* , 1948 **The Journal of the Chartered Institution of Building Services** Chartered Institution of Building Services, 1983 *Building Services* , 1985-05 **ASHRAE Journal** , 1992 IEEE Conference Record of ... Industrial and Commercial Power Systems Technical Conference , 1984 UNDOC, Current Index , 1996 IEEE Membership Directory Institute of Electrical and Electronics Engineers, 2001 *Subject Guide to Microforms in Print* Albert James Diaz, 1977 **Scientific and Technical Organizations and Agencies Directory** Peter D. Dresser, 1994 **Thomas Register** , 2004 **Western Electrician** , 1894 The Engineer , 1916

Getting the books **Power Systems Protection Engineering Training Idc** now is not type of inspiring means. You could not by yourself going in the same way as books addition or library or borrowing from your friends to right to use them. This is an unconditionally easy means to specifically get lead by on-line. This online publication Power Systems Protection Engineering Training Idc can be one of the options to accompany you in the manner of having other time.

It will not waste your time. admit me, the e-book will totally sky you extra situation to read. Just invest little get older to open this on-line pronouncement **Power Systems Protection Engineering Training Idc** as with ease as review them wherever you are now.

https://py.bijouxmedusa.com/public/uploaded-files/index.jsp/Practices_For_Startups_88_1748_Crypto_Investing_Blueprint_For.pdf

Table of Contents Power Systems Protection Engineering Training Idc

1. Understanding the eBook Power Systems Protection Engineering Training Idc
 - The Rise of Digital Reading Power Systems Protection Engineering Training Idc
 - Advantages of eBooks Over Traditional Books
2. Identifying Power Systems Protection Engineering Training Idc
 - Exploring Different Genres
 - Considering Fiction vs. Non-Fiction
 - Determining Your Reading Goals
3. Choosing the Right eBook Platform
 - Popular eBook Platforms
 - Features to Look for in an Power Systems Protection Engineering Training Idc
 - User-Friendly Interface
4. Exploring eBook Recommendations from Power Systems Protection Engineering Training Idc
 - Personalized Recommendations
 - Power Systems Protection Engineering Training Idc User Reviews and Ratings

- Power Systems Protection Engineering Training Idc and Bestseller Lists
- 5. Accessing Power Systems Protection Engineering Training Idc Free and Paid eBooks
 - Power Systems Protection Engineering Training Idc Public Domain eBooks
 - Power Systems Protection Engineering Training Idc eBook Subscription Services
 - Power Systems Protection Engineering Training Idc Budget-Friendly Options
- 6. Navigating Power Systems Protection Engineering Training Idc eBook Formats
 - ePub, PDF, MOBI, and More
 - Power Systems Protection Engineering Training Idc Compatibility with Devices
 - Power Systems Protection Engineering Training Idc Enhanced eBook Features
- 7. Enhancing Your Reading Experience
 - Adjustable Fonts and Text Sizes of Power Systems Protection Engineering Training Idc
 - Highlighting and Note-Taking Power Systems Protection Engineering Training Idc
 - Interactive Elements Power Systems Protection Engineering Training Idc
- 8. Staying Engaged with Power Systems Protection Engineering Training Idc
 - Joining Online Reading Communities
 - Participating in Virtual Book Clubs
 - Following Authors and Publishers Power Systems Protection Engineering Training Idc
- 9. Balancing eBooks and Physical Books Power Systems Protection Engineering Training Idc
 - Benefits of a Digital Library
 - Creating a Diverse Reading Collection Power Systems Protection Engineering Training Idc
- 10. Overcoming Reading Challenges
 - Dealing with Digital Eye Strain
 - Minimizing Distractions
 - Managing Screen Time
- 11. Cultivating a Reading Routine Power Systems Protection Engineering Training Idc
 - Setting Reading Goals Power Systems Protection Engineering Training Idc
 - Carving Out Dedicated Reading Time
- 12. Sourcing Reliable Information of Power Systems Protection Engineering Training Idc
 - Fact-Checking eBook Content of Power Systems Protection Engineering Training Idc
 - Distinguishing Credible Sources

13. Promoting Lifelong Learning
 - Utilizing eBooks for Skill Development
 - Exploring Educational eBooks
14. Embracing eBook Trends
 - Integration of Multimedia Elements
 - Interactive and Gamified eBooks

Power Systems Protection Engineering Training Idc Introduction

In this digital age, the convenience of accessing information at our fingertips has become a necessity. Whether its research papers, eBooks, or user manuals, PDF files have become the preferred format for sharing and reading documents. However, the cost associated with purchasing PDF files can sometimes be a barrier for many individuals and organizations. Thankfully, there are numerous websites and platforms that allow users to download free PDF files legally. In this article, we will explore some of the best platforms to download free PDFs. One of the most popular platforms to download free PDF files is Project Gutenberg. This online library offers over 60,000 free eBooks that are in the public domain. From classic literature to historical documents, Project Gutenberg provides a wide range of PDF files that can be downloaded and enjoyed on various devices. The website is user-friendly and allows users to search for specific titles or browse through different categories. Another reliable platform for downloading Power Systems Protection Engineering Training Idc free PDF files is Open Library. With its vast collection of over 1 million eBooks, Open Library has something for every reader. The website offers a seamless experience by providing options to borrow or download PDF files. Users simply need to create a free account to access this treasure trove of knowledge. Open Library also allows users to contribute by uploading and sharing their own PDF files, making it a collaborative platform for book enthusiasts. For those interested in academic resources, there are websites dedicated to providing free PDFs of research papers and scientific articles. One such website is Academia.edu, which allows researchers and scholars to share their work with a global audience. Users can download PDF files of research papers, theses, and dissertations covering a wide range of subjects. Academia.edu also provides a platform for discussions and networking within the academic community. When it comes to downloading Power Systems Protection Engineering Training Idc free PDF files of magazines, brochures, and catalogs, Issuu is a popular choice. This digital publishing platform hosts a vast collection of publications from around the world. Users can search for specific titles or explore various categories and genres. Issuu offers a seamless reading experience with its user-friendly interface and allows users to download PDF files for offline reading. Apart from dedicated platforms, search engines also play a crucial role in finding free PDF files. Google, for instance, has an advanced search feature that allows users to filter results by file type. By specifying the file type as "PDF,"

users can find websites that offer free PDF downloads on a specific topic. While downloading Power Systems Protection Engineering Training Idc free PDF files is convenient, it's important to note that copyright laws must be respected. Always ensure that the PDF files you download are legally available for free. Many authors and publishers voluntarily provide free PDF versions of their work, but it's essential to be cautious and verify the authenticity of the source before downloading Power Systems Protection Engineering Training Idc. In conclusion, the internet offers numerous platforms and websites that allow users to download free PDF files legally. Whether it's classic literature, research papers, or magazines, there is something for everyone. The platforms mentioned in this article, such as Project Gutenberg, Open Library, Academia.edu, and Issuu, provide access to a vast collection of PDF files. However, users should always be cautious and verify the legality of the source before downloading Power Systems Protection Engineering Training Idc any PDF files. With these platforms, the world of PDF downloads is just a click away.

FAQs About Power Systems Protection Engineering Training Idc Books

How do I know which eBook platform is the best for me? Finding the best eBook platform depends on your reading preferences and device compatibility. Research different platforms, read user reviews, and explore their features before making a choice. Are free eBooks of good quality? Yes, many reputable platforms offer high-quality free eBooks, including classics and public domain works. However, make sure to verify the source to ensure the eBook's credibility. Can I read eBooks without an eReader? Absolutely! Most eBook platforms offer web-based readers or mobile apps that allow you to read eBooks on your computer, tablet, or smartphone. How do I avoid digital eye strain while reading eBooks? To prevent digital eye strain, take regular breaks, adjust the font size and background color, and ensure proper lighting while reading eBooks. What's the advantage of interactive eBooks? Interactive eBooks incorporate multimedia elements, quizzes, and activities, enhancing the reader engagement and providing a more immersive learning experience. Power Systems Protection Engineering Training Idc is one of the best books in our library for free trial. We provide a copy of Power Systems Protection Engineering Training Idc in digital format, so the resources that you find are reliable. There are also many eBooks of related topics with Power Systems Protection Engineering Training Idc. Where to download Power Systems Protection Engineering Training Idc online for free? Are you looking for Power Systems Protection Engineering Training Idc PDF? This is definitely going to save you time and cash in something you should think about.

Find Power Systems Protection Engineering Training Idc :

practices for startups 88-1748 crypto investing blueprint for
work tools for startups 88-2028 remote work trends for creators 88-1479
productivity hacks ideas for entrepreneurs 88-1480 productivity hacks
mobile app ideas tips USA 88-842 mobile app ideas tips for small
88-1793 print on demand guide America 88-667 print on demand guide
comparison America 88-2755 mobile app ideas comparison USA 88-1163
entrepreneurs 88-2648 AI marketing trends America 88-2944 AI marketing
tips trends USA 88-666 travel tips trends for creators 88-2843 travel
ideas for entrepreneurs 88-2736 cloud computing review for startups
States 88-2664 NFT marketplace examples for creators 88-2376 NFT
comparison for entrepreneurs 88-1301 minimalist lifestyle comparison for
trends for small business 88-558 sustainable living tutorial America
roadmap for entrepreneurs 88-1982 print on demand step by step America
services tools USA 88-2976 VPN services tools for small business 88-733
States 88-708 interview tips trends for entrepreneurs 88-1635 interview

Power Systems Protection Engineering Training Idc :

non linear contact analysis of meshing gears download only - Apr 11 2023
web non linear contact analysis of meshing gears efficient acceleration techniques for non linear analysis of structures with
frictional contact aug 24 2021 computational
non linear contact analysis of meshing gears download only - Feb 26 2022
web 14 3 nonlinear contact analysis non linear contact analysis of meshing gears non linear contact analysis of nonlinear
contact analysis of gear teeth for malfunction
non linear contact analysis of meshing gears - Sep 23 2021
web non linear contact analysis of meshing gears analysis automation with paving mar 02 2020 this paper describes the
impact of paving a new automatic mesh generation
grinding wheel profile design and temperature field analysis of the - Jun 01 2022
web nov 14 2023 liang d zhao w meng s et al mathematical design and meshing analysis of a new internal gear transmission

based on spatial involute helix curve proc

[non linear contact analysis of meshing gears copy esource svb](#) - Jan 28 2022

web non linear contact analysis of meshing gears non linear contact analysis of how to tackle nonlinear finite element

analysis enterfea non linear contact analysis of

[non linear contact analysis of meshing gears core](#) - Mar 10 2023

web jun 1 2009 this study focuses on stiffness cycle and meshing stiffness of non linear quasi static finite element modeling the comparisons of meshing stiffness will

nonlinear dynamics analysis of gear transmission system - May 12 2023

web mar 24 2023 gears are extensively used as the main transmission mechanism in aerospace machines vehicles and other industries 1 2 and the dynamic behavior is

coupling failure dynamics of tooth surface morphology and - Jul 02 2022

web nov 5 2023 a h is the contact half width v $r1$ and v $r2$ are the tangential velocities p n 1 is the contact force of the meshing point s p is the relative sliding distance of the

non linear contact analysis of meshing gears book - Aug 23 2021

web non linear contact analysis of meshing gears finite element analysis of repeated pure rolling contact with infinite elements for non linear kinematic hardening behavior

downloadable free pdfs non linear contact analysis of - Apr 30 2022

web non linear contact analysis of meshing gears gears and gear manufacture apr 03 2022 this comprehensive reference covers the fundamentals of gear manufacture gear

non linear contact analysis of meshing gears pdf - Nov 06 2022

web an approach is proposed for computerized simulation of meshing of aligned and misaligned involute helical gears algorithms for tca tooth contact analysis computer programs

non linear contact analysis of meshing gears semantic scholar - Sep 16 2023

web non linear contact analysis of meshing gears chun hung lee gear transmission systems are considered one of the critical aspects of vibration analysis and it contains

[nonlinear mesh stiffness model using slice coupling for straight](#) - Sep 04 2022

web sep 8 2022 nonlinear mesh stiffness model using slice coupling for straight bevel gear considering axial mesh force component and extended tooth contact springerlink

non linear contact analysis of meshing gears 2022 - Dec 27 2021

web 4 non linear contact analysis of meshing gears 2022 05 28 table in the help section duplicate your system create a linear

material with the same elastic modulus as the m c

non linear contact analysis of meshing gears researchgate - Jul 14 2023

web non linear contact analysis of meshing gears june 2009 authors chun hung lee abstract gear transmission systems are considered one of the critical aspects of

non linear contact analysis of meshing gears - Nov 25 2021

web finite element analysis for non linear solids and structure problems analysis of geometrically non linear models for contact with dry friction apr 11 2023 this work

nonlinear dynamics analysis of gear system considering time - Jan 08 2023

web jun 14 2023 the microscopic topography of tooth surface affects the nonlinear dynamic characteristics of the gear system however few studies have fully taken into account

ebook non linear contact analysis of meshing gears - Oct 05 2022

web contact of face milled formate cut spiral bevel gears aug 17 2022 a new approach for design generation and computerized simulation of meshing and contact of face milled

non linear contact analysis of meshing gears - Jun 13 2023

web non linear contact analysis of meshing gears chun hung lee gear transmission systems are considered one of the critical aspects of vibration analysis and it contains

non linear contact analysis of meshing gears by chun hung lee - Aug 15 2023

web this study focuses on stiffness cycle and meshing stiffness of non linear quasi static finite element modeling the comparisons of meshing stiffness will concentrate on the type of

non linear contact analysis of meshing gears cal poly - Oct 17 2023

web transmission the basic understanding of gears in mesh still needs to be confirmed when a pair of gears mesh localized hertzian contact stress are produced along with tooth

non linear contact analysis of meshing gears book - Aug 03 2022

web non linear contact analysis of meshing gears proceedings of the 15th international meshing roundtable jul 08 2022 the papers in this volume were selected for

performance analysis of polymer additive manufactured gear - Oct 25 2021

web nov 16 2023 bearings in general and in this case rotational bearings are important elements in many machines the main objective of this study was to find out the load

theoretical modeling and transmission characteristics analysis of - Dec 07 2022

web nov 13 2023 that is the original meshing tooth surfaces in worm gear are replaced by the common tangent plane of

rollers to form a special type of meshing drive the original

[nonlinear dynamic contact analysis of meshing gears](#) - Feb 09 2023

web jan 1 2001 download citation nonlinear dynamic contact analysis of meshing gears an automatic mesh generation

algorithm of gearing at any meshing position is

[non linear contact analysis of meshing gears vdocument in](#) - Mar 30 2022

web oct 21 2015 an approximate solution to a boundary value problem fea of meshing gears is subjected to non linear

contact analysis the contact between the gear and

[giuseppina strepponi italian opera singer britannica](#) - Dec 07 2022

web the real traviata rené weis 2015 rené weis is a freelance author and a professor of english at ucl he has a written on a

wide variety of subjects including edith thompson

the real traviata biography of giuseppina strepponi wife of - Dec 27 2021

web jul 30 2023 merely said the the real traviata biography of giuseppina streppon pdf is universally compatible with any

devices to read giuseppe verdi pocket giants

the real traviata biography of giuseppina strepponi wife of - Jan 28 2022

web traviata biography of giuseppina strepponi wife copyright access our free pdf ebook download and start your journey to

expertise synopsis giuseppina strepponi was the

the real traviata biography of giuseppina strepponi wife of - Sep 23 2021

the real traviata biography of giuseppina streppon pdf - Jun 01 2022

web jul 19 2023 the real traviata biography of giuseppina streppon 1 9 downloaded from uniport edu ng on july 19 2023 by

guest the real traviata biography of giuseppina

the real traviata biography of giuseppina strepponi wife of - Jun 13 2023

web the real traviata book read reviews from world s largest community for readers giuseppina strepponi was the most

famous singer of her day when giuseppe

[the real traviata biography of giuseppina strepponi wife of](#) - Feb 09 2023

web traviata the real traviata biography of giuseppina strepponi wife natalia ushakova národní divadlo giuseppe verdi

encyclopedia the real traviata the biography of

the real traviata the biography of giuseppina strepponi wife - May 12 2023

web the real traviata the biography of giuseppina strepponi wife of giuseppe verdi author gaia servadio summary based on

original research documents and letters which have

the real traviata biography of giuseppina strepponi wife of - Oct 25 2021

web the real traviata biography of giuseppina strepponi wife april 3rd 2020 the real traviata biography of giuseppina strepponi wife of giuseppe verdi updated edition by gaia

giuseppina strepponi historical records and family trees - Aug 03 2022

web the real traviata biography of giuseppina strepponi wife of giuseppe verdi by gaia servadio the real traviata the biography of giuseppina strepponi giuseppe verdi

giuseppina strepponi wikipedia - Mar 10 2023

web buy the real traviata biography of giuseppina strepponi wife of giuseppe verdi by servadio gaia online on amazon ae at best prices fast and free shipping free returns

the real traviata biography of giuseppina strepponi wife of - Jul 02 2022

web the real traviata biography of giuseppina streppon 1 7 downloaded from uniport edu ng on september 2 2023 by guest the real traviata biography of giuseppina

the real traviata biography of giuseppina streppon pdf - Sep 04 2022

web verdi s sympathy with the place of the courtesan in society knew real roots he had lived for many years in an illicit relationship with the fallen woman giuseppina strepponi

the real traviata biography of giuseppina streppon copy - Mar 30 2022

web the real traviata biography of giuseppina streppon pdf whispering the secrets of language an emotional journey through the real traviata biography of giuseppina

the real traviata biography of giuseppina streppon pdf - Nov 25 2021

web the real traviata the real traviata the biography of giuseppina strepponi adrian lyttelton italy stirs lrb 22 june 1995 giuseppina verdi strepponi abebooks giuseppe verdi poser

the real traviata the life of giuseppina strepponi - Aug 15 2023

web the real traviata biography of giuseppina strepponi wife of giuseppe verdi by gaia servadio an important inspirational influence on verdi was the opera singer giuseppina

the real traviata biography of giuseppina strepponi wife of - Jan 08 2023

web other articles where giuseppina strepponi is discussed giuseppe verdi the early middle years of giuseppe verdi who created abigaille in nabucco giuseppina strepponi

the real traviata biography of giuseppina streppon mark - Nov 06 2022

web jun 17 2022 giuseppina strepponi the real traviata june 17 2022 giuseppina strepponi 1815 1897 was a famous nineteenth century italian operatic soprano the

the real traviata the biography of giuseppina strepponi wife of - Apr 11 2023

web giuseppina strepponi c 1865 clelia maria giuseppa giuseppina strepponi lodi 8 september 1815 villanova sull arda 14 november 1897 was a nineteenth century

the real traviata biography of giuseppina strepponi wife of - Jul 14 2023

web buy the real traviata biography of giuseppina strepponi wife of giuseppe verdi first edition by servadio gaia isbn 9780340579480 from amazon s book store everyday

giuseppina strepponi real traviata tamino - Oct 05 2022

web aug 24 2023 this is likewise one of the factors by obtaining the soft documents of this the real traviata biography of giuseppina streppon pdf by online you might not require

the real traviata biography of giuseppina streppon pdf - Apr 30 2022

web the real traviata biography of giuseppina streppon 1 6 downloaded from uniport edu ng on june 24 2023 by guest the real traviata biography of giuseppina streppon

the real traviata biography of giuseppina streppon pdf pdf - Feb 26 2022

web operation opera the sonata hidden in la traviata verdi facts positions and biography on the great la traviata wikimili the best reader the real traviata biography of giuseppina

postal assistants sorting assistants job profiles a detailed - Mar 10 2023

web mar 4 2014 friends as soon as the india post announced the notification of postal assistants and sorting assistants recruitment for the year 2014 our inbox has started flooding with the mails asking us about the job profiles

postal assistant recruitment 2014 sorting assistant 8243 posts - Jul 14 2023

web feb 26 2014 postal assistant recruitment 2014 sorting assistant 8243 posts apply online department of posts ministry of communications information technology has issued notification for the recruitment of 8243 postal assistants sorting assistants postal assistants savings bank control organization postal assistants mail motor

postal assistant sorting assistant syllabus and - Aug 03 2022

web sep 2 2023 postal assistant sorting assistant syllabus and pattern 2024 exam postalstudy pa youtube postal assistant sorting

postal and sorting assistant selection process freejobalert com - Jun 01 2022

web mar 3 2014 postal sorting assistant selection process postal assistant sorting assistant exam selection process details are given below selection process selection process will consists of aptitude test and computer typing test aptitude test

aptitude test will consists of 25 questions on general knowledge 25 questions on mathematics of

ssc chsl jobs postal assistant and sorting assistant youtube - Dec 27 2021

web ssc chsl jobs postal assistant and sorting assistant complete details by mohammad azhar ssc chsl achievers talk rbe rbe in this video mohammad azhar selected through ssc chsl 2016 as

is the postal assistant and sorting assistant the same guidely - May 12 2023

web postal assistant pa and sorting assistant sa posts have the same rank of clerical cadre the job profile of a postal assistant is the work related to maintain database entries office management etc the job profile of a sorting assistant is to sort letters according to respective state district city area wise

postal assistant pa sorting assistant sa promotion policy - Oct 05 2022

web mar 7 2022 archana shandilya updated mar 7 2022 11 18 ist ssc chsl pa sa postal sorting assistant recruitment 2022 12th pass can apply till 7th mar ssc nic in

postal sorting assistant exam 2014 live to learn - Aug 15 2023

web apr 27 2014 description question paper answer key postal assistant sorting assistant exam tamil nadu circle may 2014 held on 11 05 2014 view download postal sorting assistant exam 2014 question paper and answer key live to learn

what is the difference between postal assistant and sorting assistant - Dec 07 2022

web sep 8 2012 what is the difference between postal assistant and sorting assistant job in india post want to know the difference between postal assistant and sorting assistant jobs in the india post compare salary pay scales facilities eligibility and other details of postal assistant and sorting assistant posts

postal assistant salary 2023 structure and job profile prepp - Jul 02 2022

web may 15 2023 download pdf previous year papers collegedunia team may 14 2023 the postal assistant salary has changed as a result of the 7th pay commission the ssc chsl postal assistant salary has increased by about 22 percent to 24 percent postal assistants currently earn between inr 26 000 and inr 31 000 per month

training material for postal assistant and sorting assistant - Apr 11 2023

web oct 3 2020 training material for postal assistant and sorting assistant suresh saturday october 03 2020 hey dop family today i am sharing training material of mcdp for postal assistant or sorting assistant the content of this mcdp training is as under 1

postal assistant sorting assistant pa sa job profile youtube - Jan 28 2022

web postal assistant sorting assistant job profile transfer promotion training place of posting everything is shared in the video ssc cgl post about my background i am hemant gupta

how much does a postal assistant make with other job info - Feb 26 2022

web apr 17 2023 updated 17 april 2023 the department of post in the government of india employs postal assistants to carry out daily duties such as registration sorting and delivery of mails this clerical cadre post is the same as a sorting assistant sa

post in post offices and has a set salary structure for employees

postal assistant and sorting assistant pa sa postalstudy - Feb 09 2023

web postal assistant and sorting assistant pa sa recruitment through combined graduate level examination cgle conducted by ssc by admin wednesday july 27 2022 0 department of posts dop recently released the pa sa

cadre management of postal assistant and sorting assistant dop - Jan 08 2023

web dec 31 2021 cadre management of pas and sas have been reviewed and it has been decided that from recruitment year 2022 i e 01 01 2022 onwards circle shall be the recruiting unit for pas in postal divisions gpo and sas in rms divisions no x 12 6 2021 spn ii government of india

postal assistant and sorting assistant pa sa recruitment - Sep 04 2022

web dec 8 2021 postal assistant and sorting assistant in offices other than circle office and regional office foreign post organisation and savings bank control internal check organisations 2021 subject to variation dependent on workload

postal assistant sorting assistant exam dates schedule 2014 - Nov 06 2022

web apr 14 2014 postal sorting assistants exam dates 2014 postal assistant sorting assistant exam dates schedule 2014 out gr8ambitionz prepare for ibps po x ibps clerks x insurance eams current affairs 2021

promotion of postal assistant and sorting assistant pa sa youtube - Mar 30 2022

web this video contains the extremely important books which are necessary and milestone for preparation of all ssc exams including ssc cgl ssc cpo ssc chsl ss

postal assistants sorting assistants job profiles a detailed - Jun 13 2023

web this post will help you in getting the clear idea of the job profiles of postal sorting assistants and will help you in making your preference list option 17 in the online application form for postal sorting assistant direct recruitment examination

postal assistant sorting assistant syllabus and - Apr 30 2022

web welcome back to the career post channel today we re diving deep into the upcoming 2024 postal assistant and sorting assistant exam syllabus and pattern if you re looking to transition from gds