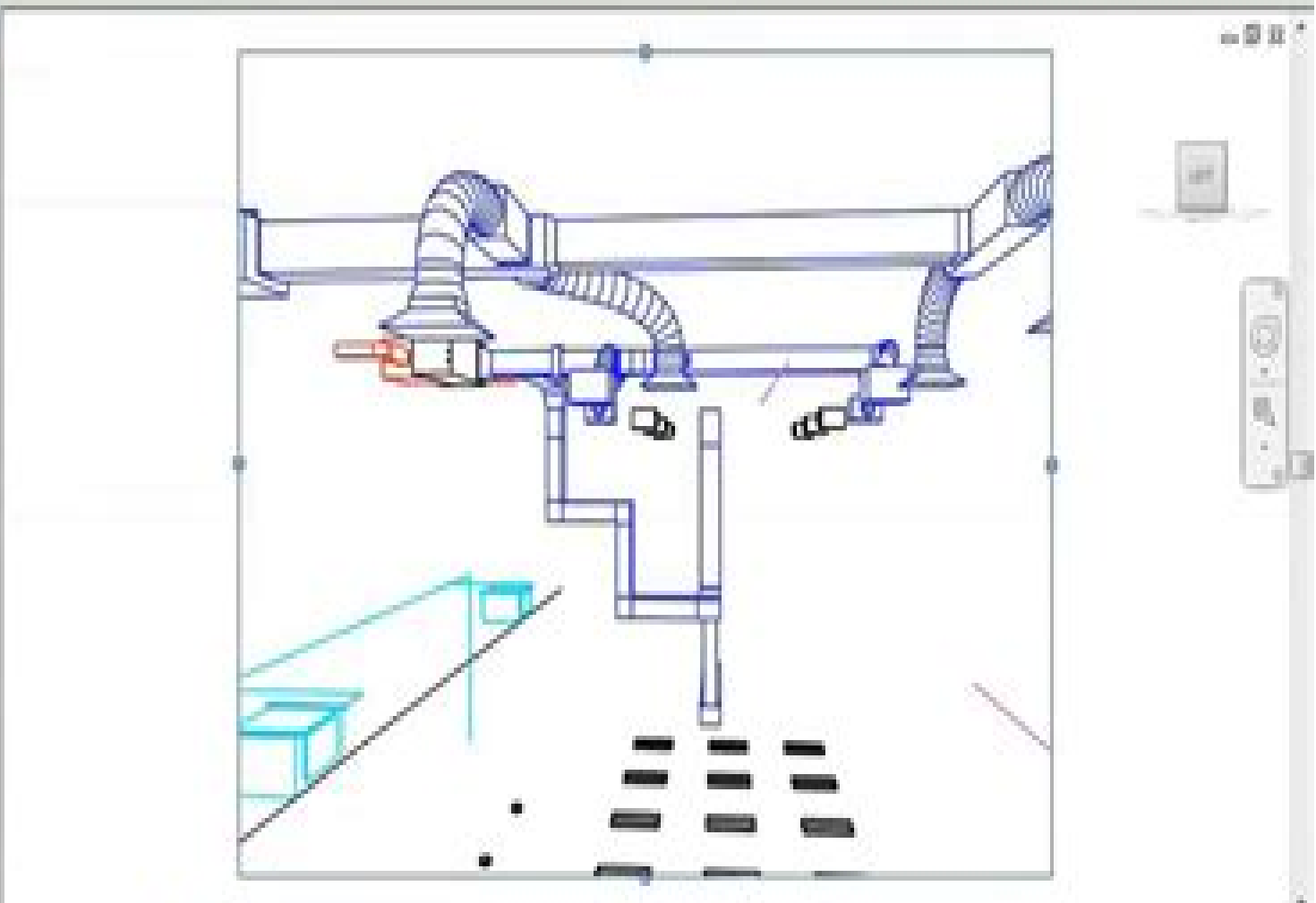




- Project Browser - Chapter 20, 3D Walkthrough 2
- [-] Plumbing
- [-] Electrical
- [-] Mechanical
- [-] 3D
 - [-] Walkthrough
 - [-] Walkthrough 1
 - [-] Walkthrough 2**
- [-] Coordination
- [-] HVAC Documentation
- [-] Floor Plans
 - [-] HVAC Basement Documents
 - [-] HVAC Level 1 Documentation
 - [-] HVAC Level 1 Document
 - [-] HVAC Level 1 Document
 - [-] HVAC Level 1 Document
 - [-] HVAC Level 2 Documentation
 - [-] HVAC Level 2 Document
 - [-] HVAC Level 2 Document
 - [-] HVAC Level 2 Document
 - [-] HVAC Level 3 Documentation
 - [-] HVAC Level 3 Document
 - [-] HVAC Level 3 Document
 - [-] HVAC Level 3 Document
 - [-] HVAC Level 3 Document
 - [-] HVAC Level 3 Document
 - [-] HVAC Level 3 Document
 - [-] HVAC Roof Documentation
- [-] Restrooms (Building Restroom)



Revit Mep 2014 User Guide

**Don Bokmiller, Simon Whitbread, Daniel
Morrison**

Revit Mep 2014 User Guide:

Mastering Autodesk Revit MEP 2014 Don Bokmiller, Simon Whitbread, Plamen Hristov, 2013-05-30 The ultimate reference and tutorial to harness the power of Revit MEP This Autodesk Official Press book will help you develop your expertise with Revit MEP's core concepts and functionality Based on the authors years of real world experience this comprehensive reference and tutorial has been updated to cover all of the new features of Revit MEP and includes best practices techniques tips tricks and real world exercises to help you hone your skills Shows how to use the interface effectively explains how to create and use project templates and details ways you can improve efficiency with worksharing and collaboration Addresses generating schedules that show quantities materials design dependencies and more Looks at creating logical air water and fire protection systems evaluating building loads and placing air and water distribution equipment Covers lighting power receptacles and equipment communication outlets and systems and circuiting and panels Zeroes in on creating water systems plumbing fixtures and their connectors water piping and more Featuring real world scenarios and hands on tutorials this Autodesk Official Press book features downloadable before and after tutorial files so that you can compare your finished work to that of the professionals It's the perfect resource for becoming a Revit MEP expert

NX 8.5 for Designers Sham Tickoo, 2013-03-02 *Claims, Disputes and Litigation Involving BIM* Jason M Dougherty, 2015-06-12 Are you unsure about the current US legal environment with respect to BIM and VDC the evolving standards of care for design and construction professionals using BIM and VDC what practical methods and techniques can be used for analyzing construction claims and disputes involving BIM technologies and VDC processes Building Information Modeling BIM technologies and Virtual Design and Construction VDC processes are aggressively and fundamentally changing the design construction and operation of buildings Supporters of BIM have highlighted the potential these technologies have to reduce the need for claims disputes and litigation but evidence from several early sources shows they are not universally successful in this This timely and unique book provides crucial new methods for analyzing construction disputes in this emerging AEC technological landscape It explains how BIM VDC has significantly altered the production and delivery of construction drawings quantity surveys and schedules and how these changes might impact construction disputes The findings and advice in this book are indispensable to any stakeholder in a construction project using BIM It will help Contractors Cost Managers Architects Building Designers Quantity Surveyors and Project Managers to navigate and understand their responsibilities and exposure to risk when working with this new technology

[Building Energy Modeling with OpenStudio](#) Larry Brackney, Andrew Parker, Daniel Macumber, Kyle Benne, 2018-05-15 This textbook teaches the fundamentals of building energy modeling and analysis using open source example applications built with the US DOE's OpenStudio modeling platform and EnergyPlus simulation engine Designed by researchers at US National Laboratories to support a new generation of high performance buildings EnergyPlus and OpenStudio are revolutionizing how building energy

modeling is taught in universities and applied by professional architects and engineers around the world The authors all researchers at National Renewable Energy Laboratory and members of the OpenStudio software development team present modeling concepts using open source software that may be generally applied using a variety of software tools commonly used by design professionals The book also discusses modeling process automation in the context of OpenStudio Measures small self contained scripts that can transform energy models and their data to save time and effort They illustrate key concepts through a sophisticated example problem that evolves in complexity throughout the book The text also examines advanced topics including daylighting parametric analysis uncertainty analysis design optimization and model calibration Building Energy Modeling with OpenStudio teaches students to become sophisticated modelers rather than simply proficient software users It supports undergraduate and graduate building energy courses in Architecture and in Mechanical Civil Architectural and Sustainability Engineering

Autodesk Inventor Professional 2021 for Designers, 21st Edition Prof. Sham Tickoo, 2020-06-21 Autodesk Inventor Professional 2021 for Designers is a comprehensive book that introduces the users to Autodesk Inventor 2021 a feature based 3D parametric solid modeling software All environments of this solid modeling software are covered in this book with a thorough explanation of commands options and their applications to create real world products The mechanical engineering industry examples that are used as tutorials and the related additional exercises at the end of each chapter help the users to understand the design techniques used in the industry to design a product Additionally the author emphasizes on the solid modelling techniques that will improve the productivity and efficiency of the users After reading this book the users will be able to create solid parts sheet metal parts assemblies weldments drawing views with bill of materials presentation views to animate the assemblies and apply direct modelling techniques to facilitate rapid design prototyping Also the users will learn the editing techniques that are essential for making a successful design

Salient Features A comprehensive book consisting of 19 chapters organized in a pedagogical sequence A detailed explanation of all concepts techniques commands and tools of Autodesk Inventor Professional 2021 Tutorial approach to explain the concepts Step by step instructions that guide the users through the learning process Real world mechanical engineering designs as tutorials and projects Self Evaluation Test Review Questions and Exercises are given at the end of the chapters

Table of Contents Chapter 1 Introduction Chapter 2 Drawing Sketches for Solid Models Chapter 3 Adding Constraints and Dimensions to Sketches Chapter 4 Editing Extruding and Revolving the Sketches Chapter 5 Other Sketching and Modeling Options Chapter 6 Advanced Modeling Tools I Chapter 7 Editing Features and Adding Automatic Dimensions to Sketches Chapter 8 Advanced Modeling Tools II Chapter 9 Assembly Modeling I Chapter 10 Assembly Modeling II Chapter 11 Working with Drawing Views I Chapter 12 Working with Drawing Views II Chapter 13 Presentation Module Chapter 14 Working with Sheet Metal Components Chapter 15 Introduction to Stress Analysis Chapter 16 Introduction to Weldments For free download Chapter 17 Miscellaneous Tools For free download Chapter 18 Working with Special Design Tools For free

download Chapter 19 Introduction to Plastic Mold Design For free download Index **Autodesk® Revit® MEP 2014 Fundamentals** ASCENT Center for Technical Knowledge,2013 *Sustainable Construction* João M.P.Q.

Delgado,2016-03-16 This book presents a collection of recent research works that highlight best practice solutions case studies and practical advice on the implementation of sustainable construction techniques It includes a set of new developments in the field of building performance simulation building sustainability assessment sustainable management asset and maintenance management and service life prediction Accordingly the book will appeal to a broad readership of professionals scientists students practitioners lecturers and other interested parties **Civil and Environmental**

Engineering: Concepts, Methodologies, Tools, and Applications Management Association, Information Resources,2016-01-31 Civil and environmental engineers work together to develop build and maintain the man made and natural environments that make up the infrastructures and ecosystems in which we live and thrive Civil and Environmental Engineering Concepts Methodologies Tools and Applications is a comprehensive multi volume publication showcasing the best research on topics pertaining to road design building maintenance and construction transportation earthquake engineering waste and pollution management and water resources management and engineering Through its broad and extensive coverage on a variety of crucial concepts in the field of civil engineering and its subfield of environmental engineering this multi volume work is an essential addition to the library collections of academic and government institutions and appropriately meets the research needs of engineers environmental specialists researchers and graduate level students

Mastering Autodesk Revit MEP 2015 Don Bokmiller,Simon Whitbread,Daniel Morrison,2014-06-23 The definitive guide to Autodesk Revit MEP The expert author team for this Autodesk Official Press book has employed their years of experience to develop this exhaustive reference and tutorial which is perfectly paced to cover all the core concepts and functionality of Revit MEP including Navigating the interfaceProject setup and templatesWorksharingMechanical concerns such as building loads and ductworkElectrical concerns such as lighting and communications outletsPlumbing concerns such as fixtures and water systems Th *Consulting-specifying Engineer* ,2008 **Revit MEP 2008** Autodesk, Inc,2007 Mastering Autodesk Revit MEP 2015 Don Bokmiller,Simon Whitbread,Daniel Morrison,2014-05-30 The definitive guide to Autodesk Revit MEP The expert author team for this Autodesk Official Press book has employed their years of experience to develop this exhaustive reference and tutorial which is perfectly paced to cover all the core concepts and functionality of Revit MEP including Navigating the interface Project setup and templates Worksharing Mechanical concerns such as building loads and ductwork Electrical concerns such as lighting and communications outlets Plumbing concerns such as fixtures and water systems This revision covers all of Revit MEP s new features and includes more advanced electrical and plumbing information In addition the book features real world sidebars and hands on tutorials that reinforce the detailed discussions along with downloadable before and after tutorial files to help you complete the hands on projects This Autodesk Official

Press book is the perfect resource for becoming a Revit MEP expert **Autodesk® Revit® MEP 2014 Fundamentals**
ASCENT Center for Technical Knowledge,2013 Exploring Autodesk Revit Mep 2014 Sham Tickoo,2014-01 Exploring
Autodesk Revit MEP 2014 textbook covers the detailed description of all basic and advanced concepts as well as the usage of
the tools and commands of Autodesk Revit MEP 2014 It explores the processes involved in Building Information Modeling
The topics covered in this textbook range from creating building components HVAC system electrical system plumbing
system fire protection system to designing conceptual massing performing HVAC heating and loading analysis and creating
rich construction documentation In this textbook special emphasis has been laid on the concepts of space modeling and tools
to create systems for all disciplines MEP Each concept in this textbook is explained using the detailed description and
relevant graphical examples and illustrations The accompanying tutorials and exercises which relate to the real world
projects help you understand the usage and abilities of the tools available in Autodesk Revit MEP In addition the chapters in
this textbook are punctuated with tips and notes to make the concepts clear thereby enabling the readers to create thier own
innovative projects **Mastering Autodesk Revit MEP 2012** Don Bokmiller,Simon Whitbread,Joel
Londenberg,2011-08-08 The best tutorial and reference to provide extensive coverage of Revit MEP This perfectly paced
Autodesk Official Training Guide covers all the core concepts and functionality of Revit MEP Autodesk s hot mechanical
engineering and plumbing software Hands on real world tutorials reinforce the detailed discussions on a variety of Revit MEP
topics including interface project setup and templates worksharing as well as such mechanical concerns as building loads
and ductwork such electrical concerns as lighting and communications outlets and such plumbing concerns as fixtures and
water systems Serves as the only hands on reference and tutorial to cover Autodesk Revit MEP in exhaustive detail Explores
the interface and walks you through creating and using project templates Devotes extensive coverage to each aspect of Revit
MEP mechanical electrical and plumbing Includes chapters on solid modeling creating symbols using parameters creating
equipment and more Shares tips tricks and real world exercises that only professionals who use the software every day can
provide To strengthen the learning experience readers can download before and after tutorial files from the supporting web
site so they can jump into any tutorial and immediately compare their work to that of the professionals **Revit MEP 2014**
Essential Training ,2013 Learn how to create mechanical electrical plumbing and fire protection system documentation in
Revit MEP 2014 **Learning Revit MEP 2014** Simon Whitbread,2013 In this Revit MEP 2014 training course Simon
Whitbread teaches you the basics of using Revit to design mechanical electrical and plumbing systems Using BIM Building
Information Modeling helps you create accurate building systems from concept to construction and Simon will show you how
to take full advantage of the features Revit has to offer you This video tutorial is designed for beginners and no previous
experience is necessary to learn how to use Revit MEP You start by touring the interface and understanding file concepts in
Revit and how they apply to this training You will then learn to use the basic creation and editing tools such as copy and

paste rotate mirror align offset and others Throughout the course you will cover important topics like using views spaces and zones running an energy analysis HVAC hydronic piping systems fire protection and creating electrical systems This video training course also covers detailing and documentation the basics of worksharing and how to present your completed projects Resource description page

Mastering Autodesk Revit Architecture 2014 James Vandezande, Eddy Krygiel, Phil Read, 2013-05-15 Learn Revit Architecture with expert instruction from this Autodesk Official Press guide The new edition of this bestselling Revit book is the most useful and approachable Mastering Revit Architecture yet Thoroughly revised and updated this comprehensive guide to Autodesk's industry leading building information modeling BIM software features in depth explanations real world examples and practical tutorials help you grasp crucial tools techniques and concepts so you can quickly start doing real work in Revit You will learn core BIM concepts and best practices for everything from putting together impressive building designs to producing solid documentation creating visualizations that impress clients and more Hands on exercises with downloadable before and after files provide plenty of opportunities to practice the real world scenarios and hone all the crucial Revit skills Explains the user interface general concepts best practices and new features of Revit 2014 Teaches modeling massing and visualization with Revit Helps users develop extended modeling skills for walls stairs floors and more Features detailed documentation and presentation techniques Provides detailed instruction step by step tutorials and numerous examples Includes downloadable starting and ending files and additional advanced content Offers information to help readers prepare for Autodesk's certification exams This detailed reference and tutorial is the perfect resource for becoming an expert with Autodesk's powerful BIM software

Autodesk Revit Architecture 2014 Essentials Ryan Duell, Tobias Hathorn, Tessa Reist Hathorn, 2013-04-10 Quickly learn essential Revit Architecture tools and techniques Autodesk Revit Architecture is the powerful sophisticated building information modeling BIM software that has transformed the architectural design industry This Autodesk Official Press guide is the perfect introduction to the powerful software for architects designers and students Three Revit experts provide concise explanations real world examples and plenty of hands on exercises and tutorials You'll soon master the basics and then find yourself using the software confidently productively and effectively Beginners will get comfortable with Revit's core features and functions Current users will have a valuable reference to refresh and hone their skills And everyone can use this practical book to help prepare for the Revit Architecture certification exams Gets readers up and running on Autodesk Revit Architecture 2014 Autodesk's industry leading building information modeling software Explains core Revit tools features functionality real world workflows and BIM concepts Covers schematic design modeling families views creating drawing sets and more Features best practices rendering and visualization worksharing documentation and annotation Provides downloadable starting and ending files so readers can compare their work to that of the pros Autodesk Revit Architecture 2014 Essentials is your perfect introduction to the powerful industry leading BIM software

The Aubin Academy: Revit MEP 2014

Paul F. Aubin, Darryl McClland, Martin Schmid, Gregg Stanley, 2013-05-30 The Aubin Academy Master Series Revit MEP is the ideal book to help readers successfully use Revit MEP. It is a concise manual focused squarely on the rationale and practicality of the Revit MEP Building Information Model (BIM) process. The book emphasizes the process of creating projects in MEP rather than a series of independent commands and tools. The goal of each lesson is to help the reader complete their projects successfully. Tools are introduced together in a focused process with a strong emphasis on why as well as how. The text and exercises seek to give the reader a clear sense of the value of the tools and a clear indication of each tool's potential. The Aubin Academy Master Series Revit MEP is a resource designed to shorten your learning curve, raise your comfort level, and most importantly, give you real-life tested practical advice on the usage of the software to create mechanical, electrical, and plumbing designs and calculations. Empowered with the information within this book, you will have insight into how to use Revit MEP to create coordinated BIM project models and documentation. Revised and updated to the latest release of the software. Includes practical project-focused how-to exercises where readers learn by doing. Focused on MEP Production so readers can learn to create a coordinated BIM model and documentation set. Written by authors with over 75 years of combined real-world architectural and MEP industry experience. Provides Power User BIM Manager tips throughout. Includes free online download of complete dataset of project files to follow along in the exercises.

Right here, we have countless books **Revit Mep 2014 User Guide** and collections to check out. We additionally meet the expense of variant types and also type of the books to browse. The gratifying book, fiction, history, novel, scientific research, as skillfully as various further sorts of books are readily affable here.

As this Revit Mep 2014 User Guide, it ends stirring mammal one of the favored books Revit Mep 2014 User Guide collections that we have. This is why you remain in the best website to see the amazing ebook to have.

https://py.bijouxmedusa.com/data/publication/index.jsp/triumph_of_the_city.pdf

Table of Contents Revit Mep 2014 User Guide

1. Understanding the eBook Revit Mep 2014 User Guide
 - The Rise of Digital Reading Revit Mep 2014 User Guide
 - Advantages of eBooks Over Traditional Books
2. Identifying Revit Mep 2014 User Guide
 - Exploring Different Genres
 - Considering Fiction vs. Non-Fiction
 - Determining Your Reading Goals
3. Choosing the Right eBook Platform
 - Popular eBook Platforms
 - Features to Look for in an Revit Mep 2014 User Guide
 - User-Friendly Interface
4. Exploring eBook Recommendations from Revit Mep 2014 User Guide
 - Personalized Recommendations
 - Revit Mep 2014 User Guide User Reviews and Ratings
 - Revit Mep 2014 User Guide and Bestseller Lists
5. Accessing Revit Mep 2014 User Guide Free and Paid eBooks
 - Revit Mep 2014 User Guide Public Domain eBooks

- Revit Mep 2014 User Guide eBook Subscription Services
- Revit Mep 2014 User Guide Budget-Friendly Options
- 6. Navigating Revit Mep 2014 User Guide eBook Formats
 - ePub, PDF, MOBI, and More
 - Revit Mep 2014 User Guide Compatibility with Devices
 - Revit Mep 2014 User Guide Enhanced eBook Features
- 7. Enhancing Your Reading Experience
 - Adjustable Fonts and Text Sizes of Revit Mep 2014 User Guide
 - Highlighting and Note-Taking Revit Mep 2014 User Guide
 - Interactive Elements Revit Mep 2014 User Guide
- 8. Staying Engaged with Revit Mep 2014 User Guide
 - Joining Online Reading Communities
 - Participating in Virtual Book Clubs
 - Following Authors and Publishers Revit Mep 2014 User Guide
- 9. Balancing eBooks and Physical Books Revit Mep 2014 User Guide
 - Benefits of a Digital Library
 - Creating a Diverse Reading Collection Revit Mep 2014 User Guide
- 10. Overcoming Reading Challenges
 - Dealing with Digital Eye Strain
 - Minimizing Distractions
 - Managing Screen Time
- 11. Cultivating a Reading Routine Revit Mep 2014 User Guide
 - Setting Reading Goals Revit Mep 2014 User Guide
 - Carving Out Dedicated Reading Time
- 12. Sourcing Reliable Information of Revit Mep 2014 User Guide
 - Fact-Checking eBook Content of Revit Mep 2014 User Guide
 - Distinguishing Credible Sources
- 13. Promoting Lifelong Learning
 - Utilizing eBooks for Skill Development
 - Exploring Educational eBooks

14. Embracing eBook Trends

- Integration of Multimedia Elements
- Interactive and Gamified eBooks

Revit Mep 2014 User Guide Introduction

In this digital age, the convenience of accessing information at our fingertips has become a necessity. Whether its research papers, eBooks, or user manuals, PDF files have become the preferred format for sharing and reading documents. However, the cost associated with purchasing PDF files can sometimes be a barrier for many individuals and organizations. Thankfully, there are numerous websites and platforms that allow users to download free PDF files legally. In this article, we will explore some of the best platforms to download free PDFs. One of the most popular platforms to download free PDF files is Project Gutenberg. This online library offers over 60,000 free eBooks that are in the public domain. From classic literature to historical documents, Project Gutenberg provides a wide range of PDF files that can be downloaded and enjoyed on various devices. The website is user-friendly and allows users to search for specific titles or browse through different categories. Another reliable platform for downloading Revit Mep 2014 User Guide free PDF files is Open Library. With its vast collection of over 1 million eBooks, Open Library has something for every reader. The website offers a seamless experience by providing options to borrow or download PDF files. Users simply need to create a free account to access this treasure trove of knowledge. Open Library also allows users to contribute by uploading and sharing their own PDF files, making it a collaborative platform for book enthusiasts. For those interested in academic resources, there are websites dedicated to providing free PDFs of research papers and scientific articles. One such website is Academia.edu, which allows researchers and scholars to share their work with a global audience. Users can download PDF files of research papers, theses, and dissertations covering a wide range of subjects. Academia.edu also provides a platform for discussions and networking within the academic community. When it comes to downloading Revit Mep 2014 User Guide free PDF files of magazines, brochures, and catalogs, Issuu is a popular choice. This digital publishing platform hosts a vast collection of publications from around the world. Users can search for specific titles or explore various categories and genres. Issuu offers a seamless reading experience with its user-friendly interface and allows users to download PDF files for offline reading. Apart from dedicated platforms, search engines also play a crucial role in finding free PDF files. Google, for instance, has an advanced search feature that allows users to filter results by file type. By specifying the file type as "PDF," users can find websites that offer free PDF downloads on a specific topic. While downloading Revit Mep 2014 User Guide free PDF files is convenient, its important to note that copyright laws must be respected. Always ensure that the PDF files you download are legally available for free. Many authors and publishers voluntarily provide free PDF versions of their work, but its essential to be cautious and

verify the authenticity of the source before downloading Revit Mep 2014 User Guide. In conclusion, the internet offers numerous platforms and websites that allow users to download free PDF files legally. Whether its classic literature, research papers, or magazines, there is something for everyone. The platforms mentioned in this article, such as Project Gutenberg, Open Library, Academia.edu, and Issuu, provide access to a vast collection of PDF files. However, users should always be cautious and verify the legality of the source before downloading Revit Mep 2014 User Guide any PDF files. With these platforms, the world of PDF downloads is just a click away.

FAQs About Revit Mep 2014 User Guide Books

What is a Revit Mep 2014 User Guide PDF? A PDF (Portable Document Format) is a file format developed by Adobe that preserves the layout and formatting of a document, regardless of the software, hardware, or operating system used to view or print it. **How do I create a Revit Mep 2014 User Guide PDF?** There are several ways to create a PDF: Use software like Adobe Acrobat, Microsoft Word, or Google Docs, which often have built-in PDF creation tools. Print to PDF: Many applications and operating systems have a "Print to PDF" option that allows you to save a document as a PDF file instead of printing it on paper. Online converters: There are various online tools that can convert different file types to PDF. **How do I edit a Revit Mep 2014 User Guide PDF?** Editing a PDF can be done with software like Adobe Acrobat, which allows direct editing of text, images, and other elements within the PDF. Some free tools, like PDFescape or Smallpdf, also offer basic editing capabilities. **How do I convert a Revit Mep 2014 User Guide PDF to another file format?** There are multiple ways to convert a PDF to another format: Use online converters like Smallpdf, Zamzar, or Adobe Acrobats export feature to convert PDFs to formats like Word, Excel, JPEG, etc. Software like Adobe Acrobat, Microsoft Word, or other PDF editors may have options to export or save PDFs in different formats. **How do I password-protect a Revit Mep 2014 User Guide PDF?** Most PDF editing software allows you to add password protection. In Adobe Acrobat, for instance, you can go to "File" -> "Properties" -> "Security" to set a password to restrict access or editing capabilities. Are there any free alternatives to Adobe Acrobat for working with PDFs? Yes, there are many free alternatives for working with PDFs, such as: LibreOffice: Offers PDF editing features. PDFsam: Allows splitting, merging, and editing PDFs. Foxit Reader: Provides basic PDF viewing and editing capabilities. How do I compress a PDF file? You can use online tools like Smallpdf, ILovePDF, or desktop software like Adobe Acrobat to compress PDF files without significant quality loss. Compression reduces the file size, making it easier to share and download. Can I fill out forms in a PDF file? Yes, most PDF viewers/editors like Adobe Acrobat, Preview (on Mac), or various online tools allow you to fill out forms in PDF files by selecting text fields and entering information. Are there any restrictions when working with PDFs? Some PDFs might have restrictions set by their creator, such as password

protection, editing restrictions, or print restrictions. Breaking these restrictions might require specific software or tools, which may or may not be legal depending on the circumstances and local laws.

Find Revit Mep 2014 User Guide :

triumph of the city

torn the missing 4 margaret peterson haddix

trevor palmer enzymes biochemistry biotechnology and clinical chemistry 2nd edition

tonal harmony 7th edition

tutorial arcgis

toyota starlet ep91 engine diagram ventap

truth beard winston brothers 1

unexplained phenomena ancient origins

to the max bowen 3 elle aycart

toyota camry service repair manual

truth always prevails a memoir sadruddin hashwani

tiny houses make your very own tiny house the best place for living 15 cheap amazing ideas diy household hacks organized

home simple house hacks diy decoration and design interior design

understanding the enneagram practical guide to personality types don richard rise

trauma case studies for the paramedic

toyodiy com online toyota lexus and scion parts catalog

Revit Mep 2014 User Guide :

Baotian Rocky Service Handleiding PDF | PDF | Tire | Brake This manual gives you information about the general structure, function, operation and maintenance methods of BT49QT-18E. It is of great importance to make ... User manual Baotian BT49QT-18E Rocky (English Manual. View the manual for the Baotian BT49QT-18E Rocky here, for free. This manual comes under the category scooters and has been rated by 3 people with ... BT49QT-9 - User Manual, Service Schedule & History This owner's handbook contains information necessary: • to enable you to get to know your Baotian BT49QT-9, to use it to the best advantage and to benefit ... Baotian Rocky BT49QT-18E Oct 17, 2020 — Service Manuals Werkplaatshandboek Baotian Rocky BT49QT-18E 2020-10-17 ; Author: arkAC ; Downloads: 12 ; Views: 810 ; First release: 17 October 2020.

Manual Baotian BT49QT-18E - Rocky (page 1 of 22) (English) View and download the Manual of Baotian BT49QT-18E - Rocky Scooter (page 1 of 22) (English). Also support or get the manual by email. Baotian BT49QT-7 User Manual Page 2 This manual gives you information about the general structure, function, operation and maintenance methods of BT49QT-7. In order to enable your beloved ... Baotian BT49QT-7 Service Manual View and Download Baotian BT49QT-7 service manual online. BT49QT-7 scooter pdf manual download. Also for: Bt49qt-8. Baotian Scooter's & Motorcycles service repair manuals PDF Baotian Scooter's & Motorcycles workshop & service manuals, owner's manual, parts catalogs, wiring diagrams free download PDF; fault codes list. SERVICE MANUAL SERVICE MANUAL. JIANGMEN SINO-HONGKONG BAOTIAN MOTORCYCLE INDUSTRIAL CO., LTD ... Effect periodic maintenance according to the instructions in the user's manual. GROB Sep 1, 1983 — All manuals for GROB G 109B can be ordered from: GROB-WERKE GMBH & CO. KG ... Flight Manual GROB G 109 B. 15. (. Table of indicated airspeeds. Engine Limbach L2400DT1 Propeller MTV-1-A/L 170-05 The G 109B is two-seat motorglider with T-type stabilizer, fixed gear with fairings and airbrakes extending out of the upper surface of the wings. Grob-Flight-manual.pdf Mar 1, 1981 — This handbook must be carried on board of the motor glider at all times. This Airplane Flight Manual is FAA approved for U.S. registered air ... Grob G 109 Flight Manual View and Download Grob G 109 flight manual online. Motorglider. G 109 aircrafts pdf manual download. Grob G 109 Manuals We have 1 Grob G 109 manual available for free PDF download: Flight Manual. Grob G 109 Flight Manual (63 pages). Motorglider. Brand ... Grob109B FlightManual_SEUAB.pdf - Grob Jun 24, 2018 — Flight manual for the Grob 109B. TYPE-CERTIFICATE DATA SHEET - EASA Jun 28, 2021 — Flight Manual for Engine 1 to 5. - Flight Manual GROB G 109B. Issue September 1983, LBA approved for Engine 6. - Flight Manual GROB G 109B Rotax ... Motorglider GROB G 109 B of Flight Manual of Motorglider GROB G 109". Issue March 1983. 3. Provision of: "Appendix for Avionic Equipment of Maintenance Manual of the Motorglider GROB. Technical Information - TM 817-22 flight and maintenance manual" con- sideres additional equipment as well as comments and corrections in the flight and maintenance manual of the G 109. Datum. G 109 G 109B - GROB Aircraft Nov 14, 2014 — Page 6 and 7: MAINTENANCE MANUAL GROB G 109 4a Re; Page 8 and 9: REPAIR INSTRUCTIONS GROB G 109 3 Gl; Page 10 and 11: WARTUNGSHANDBUCH GROB G ... Exercises in Programming Style: Lopes, Cristina Videira Exercises in Programming Style: Lopes, Cristina Videira Exercises in Programming Style by Lopes, Cristina Videira This book solves a simple problem in Python over and over again. Each time it uses a different style of programming, some of which are idiomatic, and some of ... crista/exercises-in-programming-style GitHub - crista/exercises-in-programming-style: Comprehensive collection of programming styles using a simple computational task, term frequency. Exercises in Programming Style - 2nd Edition The first edition of Exercises in Programming Style was honored as an ACM Notable Book and praised as "The best programming book of the decade. Exercises in Programming Style Mar 19, 2018 — For example: Trinity instead of MVC, Things instead of Objects, Hollywood instead of Callbacks, Bulletin Board instead of Pub/Sub and

Kick ... Exercises in Programming Style [Book] The book complements and explains the raw code in a way that is accessible to anyone who regularly practices the art of programming. The book can also be used ... Exercises in Programming Style | Cristina Videira Lopes by CV Lopes · 2020 · Cited by 22 — The first edition of Exercises in Programming Style was honored as an ACM Notable Book and praised as "The best programming book of the ... Exercises in Programming Style | Henrik Warne's blog Mar 13, 2018 — The inspiration is a book from the 1940s by the French writer Raymond Queneau called Exercises in Style. In it, he tells the same short story in ... Exercises in programming style (2014) - Cristina Videira Lopes Oct 30, 2023 — This book provides a clear and understandable overview of different programming styles. Each chapter explains the style, offers a commentary ... Book review: Exercises in Programming Style by Cristina ... Feb 19, 2021 — Exercises in Programming Style takes a simple exercise: counting the frequency of words in a file and reporting the top 25 words, and writes a ...