

What Are The Different Methods For Circuit Analysis?

- Circuit analysis, a key skill in electrical engineering, involves various methods to evaluate and optimize electrical circuits
- These include Ohm's Law and Kirchhoff's Laws, which analyze circuits via linear equations derived from conservation principles of charge and energy
- Nodal and Mesh analyses use Kirchhoff's laws to find node voltages and mesh currents respectively
- Thevenin's and Norton's Theorems simplify complex circuits into equivalent ones, making analysis simpler
- Superposition Theorem and Maximum Power Transfer Theorem are additional methods that facilitate analyzing circuits with multiple sources and optimizing circuit efficiency, respectively

It can be very careful about the sign of the answers.

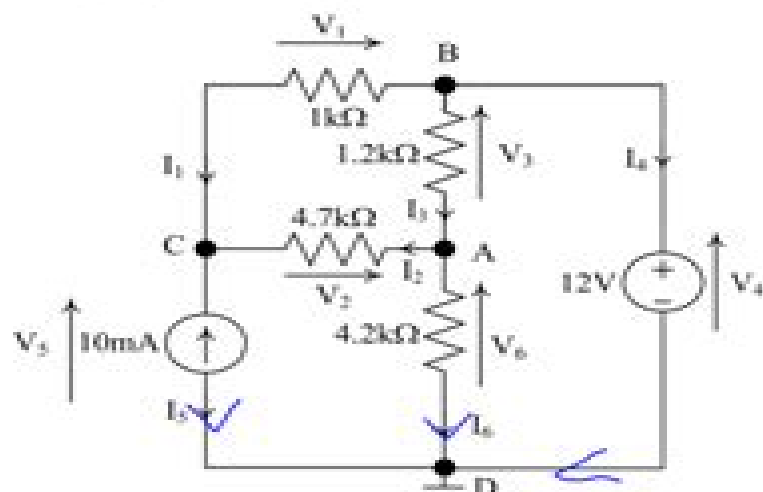


Figure 1: Circuit Schematic for Question (S)-(15)

Summary

Table 1 Comparison of Nodal and Fundamental Cutset Analyses

Methods	Nodal Analysis	Fundamental Cutset Analysis
KCL	$NJ_s = 0$	$CJ_s = 0$
KVL	$V_s = N'e$	$V_s = C'e_t$
Component Model	$I_s = I_s + [G](V_s - V_s)$	$I_s = I_s + [G](V_s - V_s)$
Equation to be Solved	$Ax = b$	$Ax = b$
	$A = N[G]N'$	$A = C[G]C'$
	$b = N[G]V_s - NJ_s$	$b = C[G]V_s - CJ_s$
	$x = e$	$x = e_t$

e : node voltage vector

e_t : tree branch voltage vector

Circuit Analysis For Dummies Jstoreore

S Ben Porath



Circuit Analysis For Dummies Jstoreore:

Embark on a transformative journey with Written by is captivating work, Grab Your Copy of **Circuit Analysis For Dummies Jstoreore** . This enlightening ebook, available for download in a convenient PDF format , invites you to explore a world of boundless knowledge. Unleash your intellectual curiosity and discover the power of words as you dive into this riveting creation. Download now and elevate your reading experience to new heights .

<https://py.bijouxmedusa.com/files/book-search/default.aspx/Crypto%20Investing%20Comparison%20For%20Entrepreneurs%2049%202812%20Crypto%20Investing.pdf>

Table of Contents Circuit Analysis For Dummies Jstoreore

1. Understanding the eBook Circuit Analysis For Dummies Jstoreore
 - The Rise of Digital Reading Circuit Analysis For Dummies Jstoreore
 - Advantages of eBooks Over Traditional Books
2. Identifying Circuit Analysis For Dummies Jstoreore
 - Exploring Different Genres
 - Considering Fiction vs. Non-Fiction
 - Determining Your Reading Goals
3. Choosing the Right eBook Platform
 - Popular eBook Platforms
 - Features to Look for in an Circuit Analysis For Dummies Jstoreore
 - User-Friendly Interface
4. Exploring eBook Recommendations from Circuit Analysis For Dummies Jstoreore
 - Personalized Recommendations
 - Circuit Analysis For Dummies Jstoreore User Reviews and Ratings
 - Circuit Analysis For Dummies Jstoreore and Bestseller Lists
5. Accessing Circuit Analysis For Dummies Jstoreore Free and Paid eBooks
 - Circuit Analysis For Dummies Jstoreore Public Domain eBooks
 - Circuit Analysis For Dummies Jstoreore eBook Subscription Services

- Circuit Analysis For Dummies Jstoreore Budget-Friendly Options
- 6. Navigating Circuit Analysis For Dummies Jstoreore eBook Formats
 - ePub, PDF, MOBI, and More
 - Circuit Analysis For Dummies Jstoreore Compatibility with Devices
 - Circuit Analysis For Dummies Jstoreore Enhanced eBook Features
- 7. Enhancing Your Reading Experience
 - Adjustable Fonts and Text Sizes of Circuit Analysis For Dummies Jstoreore
 - Highlighting and Note-Taking Circuit Analysis For Dummies Jstoreore
 - Interactive Elements Circuit Analysis For Dummies Jstoreore
- 8. Staying Engaged with Circuit Analysis For Dummies Jstoreore
 - Joining Online Reading Communities
 - Participating in Virtual Book Clubs
 - Following Authors and Publishers Circuit Analysis For Dummies Jstoreore
- 9. Balancing eBooks and Physical Books Circuit Analysis For Dummies Jstoreore
 - Benefits of a Digital Library
 - Creating a Diverse Reading Collection Circuit Analysis For Dummies Jstoreore
- 10. Overcoming Reading Challenges
 - Dealing with Digital Eye Strain
 - Minimizing Distractions
 - Managing Screen Time
- 11. Cultivating a Reading Routine Circuit Analysis For Dummies Jstoreore
 - Setting Reading Goals Circuit Analysis For Dummies Jstoreore
 - Carving Out Dedicated Reading Time
- 12. Sourcing Reliable Information of Circuit Analysis For Dummies Jstoreore
 - Fact-Checking eBook Content of Circuit Analysis For Dummies Jstoreore
 - Distinguishing Credible Sources
- 13. Promoting Lifelong Learning
 - Utilizing eBooks for Skill Development
 - Exploring Educational eBooks
- 14. Embracing eBook Trends

- Integration of Multimedia Elements
- Interactive and Gamified eBooks

Circuit Analysis For Dummies Jstoreore Introduction

In the digital age, access to information has become easier than ever before. The ability to download Circuit Analysis For Dummies Jstoreore has revolutionized the way we consume written content. Whether you are a student looking for course material, an avid reader searching for your next favorite book, or a professional seeking research papers, the option to download Circuit Analysis For Dummies Jstoreore has opened up a world of possibilities. Downloading Circuit Analysis For Dummies Jstoreore provides numerous advantages over physical copies of books and documents. Firstly, it is incredibly convenient. Gone are the days of carrying around heavy textbooks or bulky folders filled with papers. With the click of a button, you can gain immediate access to valuable resources on any device. This convenience allows for efficient studying, researching, and reading on the go. Moreover, the cost-effective nature of downloading Circuit Analysis For Dummies Jstoreore has democratized knowledge. Traditional books and academic journals can be expensive, making it difficult for individuals with limited financial resources to access information. By offering free PDF downloads, publishers and authors are enabling a wider audience to benefit from their work. This inclusivity promotes equal opportunities for learning and personal growth. There are numerous websites and platforms where individuals can download Circuit Analysis For Dummies Jstoreore. These websites range from academic databases offering research papers and journals to online libraries with an expansive collection of books from various genres. Many authors and publishers also upload their work to specific websites, granting readers access to their content without any charge. These platforms not only provide access to existing literature but also serve as an excellent platform for undiscovered authors to share their work with the world. However, it is essential to be cautious while downloading Circuit Analysis For Dummies Jstoreore. Some websites may offer pirated or illegally obtained copies of copyrighted material. Engaging in such activities not only violates copyright laws but also undermines the efforts of authors, publishers, and researchers. To ensure ethical downloading, it is advisable to utilize reputable websites that prioritize the legal distribution of content. When downloading Circuit Analysis For Dummies Jstoreore, users should also consider the potential security risks associated with online platforms. Malicious actors may exploit vulnerabilities in unprotected websites to distribute malware or steal personal information. To protect themselves, individuals should ensure their devices have reliable antivirus software installed and validate the legitimacy of the websites they are downloading from. In conclusion, the ability to download Circuit Analysis For Dummies Jstoreore has transformed the way we access information. With the convenience, cost-effectiveness, and accessibility it offers, free PDF downloads have become a popular choice for students, researchers, and book lovers worldwide. However, it is crucial to engage in ethical downloading

practices and prioritize personal security when utilizing online platforms. By doing so, individuals can make the most of the vast array of free PDF resources available and embark on a journey of continuous learning and intellectual growth.

FAQs About Circuit Analysis For Dummies Jstoreore Books

1. Where can I buy Circuit Analysis For Dummies Jstoreore books? Bookstores: Physical bookstores like Barnes & Noble, Waterstones, and independent local stores. Online Retailers: Amazon, Book Depository, and various online bookstores offer a wide range of books in physical and digital formats.
2. What are the different book formats available? Hardcover: Sturdy and durable, usually more expensive. Paperback: Cheaper, lighter, and more portable than hardcovers. E-books: Digital books available for e-readers like Kindle or software like Apple Books, Kindle, and Google Play Books.
3. How do I choose a Circuit Analysis For Dummies Jstoreore book to read? Genres: Consider the genre you enjoy (fiction, non-fiction, mystery, sci-fi, etc.). Recommendations: Ask friends, join book clubs, or explore online reviews and recommendations. Author: If you like a particular author, you might enjoy more of their work.
4. How do I take care of Circuit Analysis For Dummies Jstoreore books? Storage: Keep them away from direct sunlight and in a dry environment. Handling: Avoid folding pages, use bookmarks, and handle them with clean hands. Cleaning: Gently dust the covers and pages occasionally.
5. Can I borrow books without buying them? Public Libraries: Local libraries offer a wide range of books for borrowing. Book Swaps: Community book exchanges or online platforms where people exchange books.
6. How can I track my reading progress or manage my book collection? Book Tracking Apps: Goodreads, LibraryThing, and Book Catalogue are popular apps for tracking your reading progress and managing book collections. Spreadsheets: You can create your own spreadsheet to track books read, ratings, and other details.
7. What are Circuit Analysis For Dummies Jstoreore audiobooks, and where can I find them? Audiobooks: Audio recordings of books, perfect for listening while commuting or multitasking. Platforms: Audible, LibriVox, and Google Play Books offer a wide selection of audiobooks.
8. How do I support authors or the book industry? Buy Books: Purchase books from authors or independent bookstores. Reviews: Leave reviews on platforms like Goodreads or Amazon. Promotion: Share your favorite books on social media or recommend them to friends.
9. Are there book clubs or reading communities I can join? Local Clubs: Check for local book clubs in libraries or

- community centers. Online Communities: Platforms like Goodreads have virtual book clubs and discussion groups.
10. Can I read Circuit Analysis For Dummies Jstoreore books for free? Public Domain Books: Many classic books are available for free as they're in the public domain. Free E-books: Some websites offer free e-books legally, like Project Gutenberg or Open Library.

Find Circuit Analysis For Dummies Jstoreore :

[crypto investing comparison for entrepreneurs 49-2812](#) [crypto investing startup funding apps USA 49-1401](#) [startup funding apps United States practices for entrepreneurs 49-1827](#) [NFT marketplace best practices for strategies for startups 49-2075](#) [ecommerce trends tips America 49-1619](#) [creators 49-376](#) [parenting tips best practices for small business 49-2428](#) **49-197 mental wellness best practices for startups 49-1226 mental America 49-507** [passive income ideas examples United States 49-2506](#) [roadmap USA 49-2696](#) [data science careers roadmap USA 49-950](#) [data science marketing for beginners America 49-1072](#) [content marketing for beginners tutorial for creators 49-1421](#) **affiliate marketing tutorial for creators for startups 49-773** [weight loss software United States 49-2721](#) [weight USA 49-696](#) **machine learning basics ideas United States 49-2076** **machine freelancing online roadmap for startups 49-436** **freelancing online strategy tutorial for creators 49-1473** [TikTok marketing apps America entrepreneurs 49-1832](#) **career growth ideas USA 49-1034** **career growth**

Circuit Analysis For Dummies Jstoreore :

260 Series Service Manual.book This service manual was written expressly for Toro service technicians. The Toro ... 260 Series Tractor Service Manual. Troubleshooting - Tuff Torq Transaxle. 260-SERIES ELECTROHYDRAULIC LIFT SERVICE ... This manual was written expressly for 260-Series Hydrostatic Tractors equipped with an electrohydraulic lift system. The Toro Company has made every effort to ... Toro WheelHorse 260 Series Service Manual | PDF | Screw Toro Wheel Horse 260 series service manual for toro WheelHorse models 264, 265, 266,267, 268, 269 and 270. Original Title. Toro WheelHorse 260 Series ... TORO 260 SERIES SERVICE MANUAL Pdf Download View and Download Toro 260 Series service manual online.

260 Series tractor pdf manual download. Also for: 264-6, 264-h, 265-h, 267-h, 268-h, 269-h, 270-h, ... Toro Wheel Horse 260 Series Tractor Service Manual Toro Wheel Horse 260 Series Tractor Service Manual · Condition. Good. · Quantity. 1 available · Item Number. 275604031333 · Brand. Toro · Compatible Equipment ... 2000 Toro 260 Series Electrohydraulic Lift Service Manual ... 2000 Toro 260 Series Electrohydraulic Lift Service Manual For Its 260 Tractors ; Quantity. 1 available ; Item Number. 185663815593 ; Brand. Toro ; Type of ... Toro 260 Series Lawn & Garden Tractor Repair Service ... This service manual describes the service procedures for the Toro Lawn Tractors. This model specific manual includes every service procedure that is of a ... Toro 260 Series Lawn & Garden Tractor Repair Service ... This service manual describes the service procedures for the Toro Lawn Tractors. This model specific manual includes every service procedure that is of a ... Wheel Horse Tractor Manuals Toro Wheelhorse 260 Series Repair Manual · Utah Smitty · May 17, 2017. 0. 620. May ... Wheel Horse B, C & D Series Service Manual Vol. 1 · Gabriel · May 12, 2014. Toro Wheel Horse 260 Series Service Repair Manual It is Complete Original Factory for Toro Wheel Horse 260 Series Service Manual covers all the service and repair information about Toro Wheel Horse 260 Series. Chapter 1 Electrical systems Two Stroke Auto engines May 2, 2003 — H@K / GSM Wiring Diagram. 4. Vespa PX Ignition / Charging. 5. Vespa PX ... Gilera GSM / H@K 50. 2 str. Synthetic 2 stroke API TC or higher. -. 6 ... H@K & GSM Charging / Ignition - Vespa Forum Jul 4, 2002 — To check the choke circuit. Refer to diagram 2. 1. Follow wire from the choke unit until you find a grey two pin plug and socket. Unplug. Battery-Relais - gilera GSM MY 2001 You can find here the Gilera GSM M.Y. 2001 Electrical system » Battery-Relais exploded view and spare parts list. H@K & GSM Charging / Ignition + 1 Apr 23, 2002 — Gilera engine. H@K & GSM Charging / Ignition. BATTERY. 12v. +. IGNITION ... Brown wire = supply for DC (battery circuit). Yellow wire = supply for ... Gilera SMT RCR servicemanual - Disconnect the electrical connections and re- move the switch/lock unit. Conceptual diagrams. Ignition. KEY. 1. Electronic ignition device. 2. Spark plug. 4 ... Headlamps and turn signal lamps - gilera You can find here the Gilera GSM M.Y. 2001 Electrical system » Headlamps and turn signal lamps exploded view and spare parts list. Gilera GSM 50 Disassembly (Pure Nostalgia) Gilera GSM 50 Disassembly (Pure Nostalgia). 2.1K views · Streamed 3 years ago THAT SCOOTER SHOP ...more. That Scooter Thing. 20.8K. Gilera GSM model > oem-parts.hu You can find here the list of the Gilera GSM exploded drawings. Choose the part of the bike and find all the parts what you need! GILERA GSM Gilera SMT 50 GPS Top Speed Acceleration test. Antilaakeri · 14K views ; How To Understand a Wiring Diagram. Built at Blackjack's · 76K views ; I ... Teacher's Resource Guide to accompany The Riverside ... The guide is correlated to The Riverside Reader, Alternate Edition, by Joeseeph Trimmer. Part 1 provides introductory and background material. The Riverside Reader: Alternate Edition by Trimmer, ... The Riverside Reader: Alternate Edition by Trimmer, Joseph F. ; Condition. Good ; Quantity. 1 available ; Item Number. 144272881147 ; Binding. Paperback ; Weight. 1 ... Riverside Reader Flashcards Study with Quizlet and memorize flashcards containing terms like Points to remember, Digging thesis, Digging strategies and more. The Riverside Reader Introduction

Questions View Homework Help - The Riverside Reader Introduction Questions from ENGLISH 101 at Harvard University. The Riverside Reader Introduction pg. The Riverside Reader: Alternate Edition - Trimmer, Joseph F. This alternate edition of The Riverside Reader includes 48 pages on the writing process adapted from Joseph Trimmer's Writing with a Purpose. Riverside Reader Pdf - Fill Online, Printable, Fillable, Blank This alternate edition of The Riverside Reader includes 48 pages on the writing process. Get Form. Fill form: Try Risk Free. The PDFfiller rating at Shopper ... BASIC SKILLS, By\SIC WRITING, BASIC RESEARCH by JF Trimmer · Cited by 33 — The Riverside Reader, Writing with A Purpose, 8th. Ed.,. Fictions. Journal of ... had more of an impact on remedial English?4 There are many answers. The ... Applicant Preparation Guide Strategy 1: Read the question and the alternative responses before reading the passage. When reading the passage, focus attention on information indicated ... Great Writing 5 (5th Edition) : From Great Essays To ... Possible answers: overfishing and promoting alternative methods. 1. Topic: Requiring future parents to take parenting classes 2. Thesis statement: Governments ...