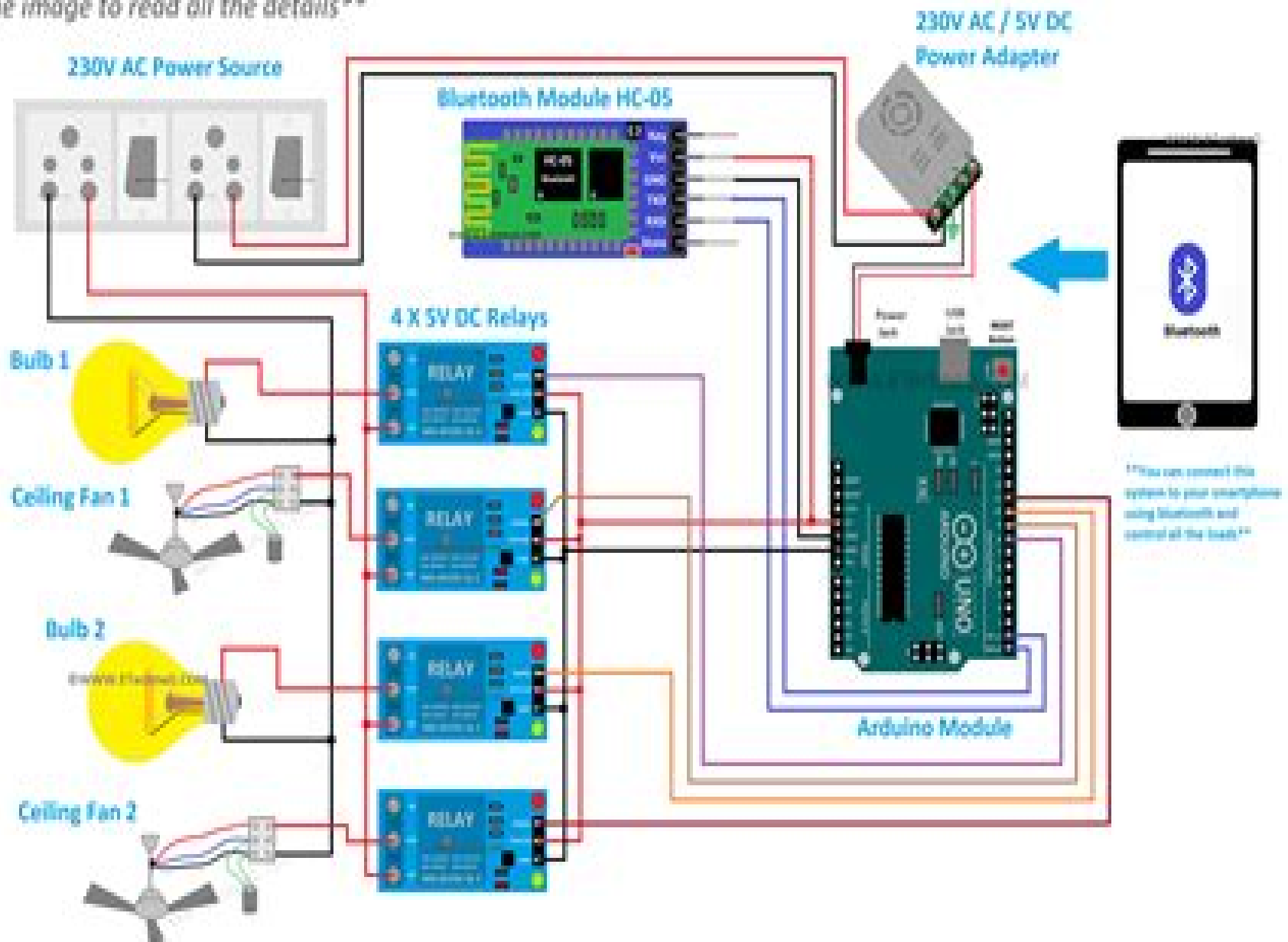


Figure.01:

# Smart Home Automation System using Arduino

*\*\*Zoom in the image to read all the details\*\**



# Bluetooth Based Home Automation And Security System Using Arm9

**Management Association, Information  
Resources**



## **Bluetooth Based Home Automation And Security System Using Arm9:**

Handbook of Research on the IoT, Cloud Computing, and Wireless Network Optimization Singh, Surjit, Mohan Sharma, Rajeev, 2019-03-29 ICT technologies have contributed to the advances in wireless systems which provide seamless connectivity for worldwide communication. The growth of interconnected devices and the need to store, manage, and process the data from them has led to increased research on the intersection of the internet of things and cloud computing. The Handbook of Research on the IoT, Cloud Computing, and Wireless Network Optimization is a pivotal reference source that provides the latest research findings and solutions for the design and augmentation of wireless systems and cloud computing. The content within this publication examines data mining, machine learning, and software engineering and is designed for IT specialists, software engineers, researchers, academicians, industry professionals, and students. Wearable/Personal Monitoring Devices Present to Future Gaetano D. Gargiulo, Ganesh R. Naik, 2021-10-26 This book discusses recent advances in wearable technologies and personal monitoring devices covering topics such as skin contact based wearables, electrodes, non-contact wearables, the Internet of things (IoT), and signal processing for wearable devices. Although it chiefly focuses on wearable devices and provides comprehensive descriptions of all the core principles of personal monitoring devices, the book also features a section on devices that are embedded in smart appliances, furniture, e.g., chairs, which, despite their limitations, have taken the concept of unobtrusiveness to the next level. Wearable and personal devices are the key to precision medicine, and the medical community is finally exploring the opportunities offered by long-term monitoring of physiological parameters that are collected during day-to-day life without the bias imposed by the clinical environment. Such data offers a prime view of individuals' physical condition as well as the efficacy of therapy and occurrence of events. Offering an in-depth analysis of the latest advances in smart and pervasive wearable devices, particularly those that are unobtrusive and invisible, and addressing topics not covered elsewhere, the book will appeal to medical practitioners and engineers alike. Intelligent Communication, Control, and Devices Rajesh Singh, Sushabhan Choudhury, Anita Gehlot, 2018-04-10 The book focuses on the integration of intelligent communication systems, control systems, and devices related to all aspects of engineering and sciences. It contains high-quality research papers presented at the 2nd International Conference on Intelligent Communication, Control, and Devices (ICICCD 2017) organized by the Department of Electronics, Instrumentation, and Control Engineering of University of Petroleum and Energy Studies, Dehradun, on 15 and 16 April 2017. The volume broadly covers recent advances of intelligent communication, intelligent control, and intelligent devices. The work presented in this book is original research work, findings, and practical development experiences of researchers, academicians, scientists, and industrial practitioners. **Research Anthology on Cross-Disciplinary Designs and Applications of Automation** Management Association, Information Resources, 2021-10-29 Throughout human history, technological advancements have been made for the ease of human labor. With our most recent advancements, it has been the work of scholars to discover ways for machines to take over a large part

of this labor and reduce human intervention These advancements may become essential processes to nearly every industry It is essential to be knowledgeable about automation so that it may be applied Research Anthology on Cross Disciplinary Designs and Applications of Automation is a comprehensive resource on the emerging designs and application of automation This collection features a number of authors spanning multiple disciplines such as home automation healthcare automation government automation and more Covering topics such as human machine interaction trust calibration and sensors this research anthology is an excellent resource for technologists IT specialists computer engineers systems and software engineers manufacturers engineers government officials professors students healthcare administration managers CEOs researchers and academicians

**Emerging Trends in Electrical, Communications, and Information Technologies** T.

Hitendra Sarma,V. Sankar,Rafi Ahamed Shaik,2019-09-24 This book includes original peer reviewed research from the 3rd International Conference on Emerging Trends in Electrical Communication and Information Technologies ICECIT 2018 held at Srinivasa Ramanujan Institute of Technology Ananthapuramu Andhra Pradesh India in December 2018 It covers the latest research trends and developments in the areas of Electrical Engineering Electronic and Communication Engineering and Computer Science and Information

**Metaheuristic and Machine Learning Optimization Strategies for Complex Systems** R., Thanigaivelan,M., Suchithra,S., Kaliappan,Mothilal, T.,2024-07-17 In contemporary engineering domains optimization and decision making issues are crucial Given the vast amounts of available data processing times and memory usage can be substantial Developing and implementing novel heuristic algorithms is time consuming yet even minor improvements in solutions can significantly reduce computational costs In such scenarios the creation of heuristics and metaheuristic algorithms has proven advantageous The convergence of machine learning and metaheuristic algorithms offers a promising approach to address these challenges Metaheuristic and Machine Learning Optimization Strategies for Complex Systems covers all areas of comprehensive information about hyper heuristic models hybrid meta heuristic models nature inspired computing models and meta heuristic models The key contribution of this book is the construction of a hyper heuristic approach for any general problem domain from a meta heuristic algorithm Covering topics such as cloud computing internet of things and performance evaluation this book is an essential resource for researchers postgraduate students educators data scientists machine learning engineers software developers and engineers policy makers and more

**Information and Communication Technology** Durgesh Kumar Mishra,Ahmad Taher Azar,Amit Joshi,2017-10-12 This book volume contains 31 papers presented at ICICT 2016 Second International Congress on Information and Communication Technology The conference was held during 12 13 December 2016 Bangkok Thailand and organized communally by G R Foundation and Computer Society of India Division IV Communication and Division V Education and Research This volume contains papers mainly focused on ICT for computation algorithms and data analytics and IT security

**Integrated Green Energy Solutions, Volume 1** Milind Shrinivas Dangate,W. S. Sampath,O. V. Gnana Swathika,Sanjeevikumar

Padmanaban,2023-05-12 INTEGRATED GREEN ENERGY SOLUTIONS This first volume in a two volume set presents the state of the art for the concepts practical applications and future of renewable energy and how to move closer to true sustainability Renewable energy supplies are of ever increasing environmental and economic importance in every country worldwide A wide range of renewable energy technologies has been established commercially and recognized as an important set of growth industries for most governments World agencies including the United Nations have extensive programs to encourage these emerging technologies This book will bridge the gap between descriptive reviews and specialized engineering technologies It centers on demonstrating how fundamental physical processes govern renewable energy resources and their applications Although the applications are updated continually the fundamental principles remain the same and this book will provide a useful platform for those advancing the subject and its industries Integrated Resilient Energy Solutions is a two volume set covering subjects of proven technical and economic importance worldwide Energy supply from renewables is an essential component of every nation s strategy especially when there is responsibility for the environment and sustainability These two volumes will consider the timeless renewable energy technologies principles yet demonstrate modern applications and case studies Whether for the veteran engineer student or other professional these two volumes are a must have for any library

*Home Automation Via Bluetooth Using the Arduino Uno Microcontroller* Ayush Kumar,2016 Abstract Home automation systems have gained popularity in recent years paralleling the advances in the concept of the Internet of Things The current project presents the implementation of an inexpensive home automation system within the framework of assistive technology The system implementation is based on the Arduino microcontroller with Bluetooth communications capability and it is designed for use by the elderly and people with disabilities The system is user friendly with an intuitive interface implemented on an Android based smart phone Demonstrations show that the system facilitates control of home appliances lights heating cooling systems and security devices by the intended users i e the elderly and the disabled

*BLUETOOTH BASED HOME AUTOMATION SYSTEM* OMER FAROOQ (TP016040),2012

**Building Smart Home Automation Solutions with Home Assistant** Marco Carvalho,2023-09-15 A step by step guide to building cost effective and complete home automation DIY projects using tools such as Home Assistant Raspberry Pi IoT devices the Tasmota sensor ESP32 and Grafana Key Features Learn by doing using real life practical examples to build your own home automation system Create hack and configure IoT devices through hands on projects to be used with or without Home Assistant Customize your home automation system using Home Assistant Node RED InfluxDB and Grafana Purchase of the print or Kindle book includes a free PDF eBook Book DescriptionPicture a home where you can adjust the lighting based on the time of day or when movement is detected In this same home you can also detect when a door is unexpectedly opened or an alarm is triggered in response to any suspicious activity Such automated devices form part of a smart home and the exciting part is that this book teaches you how to create and manage these devices all by yourself This book helps you create

your own ecosystem to automate your home using Home Assistant software You'll begin by understanding the components of a home automation system and learn how to create and configure them to operate seamlessly Then you'll set up Home Assistant on a Raspberry Pi to work as a home automation server build your own IoT sensors based on ESP32 ESP8266 and set up real life automation use cases using hands on examples and projects The chapters will also guide you in using software tools such as Node RED InfluxDB and Grafana to manage present and use data collected from your Home Automation devices Finally you'll gain insights into new technologies and trends in the home automation space to help you continue with your learning journey By the end of this book you'll be able to build your own creative IoT based home automation system using different hardware and software technologies What you will learn Understand the fundamental concepts of home automation systems Set up a home automation system using Home Assistant and Raspberry Pi Create and configure ESP8266 based sensors to work with Home Assistant Hack a commercial actuator to work with Home Assistant using Tasmota Create automations customize and use applications with Home Assistant Leverage IoT software tools to take your home automation to the next level Work on hands on projects including LED strip lights and an ESP32 five zone temperature logger Explore home automation FAQs emerging technologies and trends Who this book is for The book is for engineers developers students makers and enthusiasts who are working on or interested in working with electronics and IoT devices embedded systems systems integration computer software and coding to develop their own smart home automation systems Technicians teachers and other professionals who want to learn home automation related technologies will also find this book useful Prior experience of working with Raspberry Pi creating hardware prototypes and software programming will be beneficial

**Home Automation** Lisa Montgomery, Editor, Electronic House Magazine, 2014-09-12 Smart home automated home connected home or intelligent home Whatever you call it a home that's able to take the drudgery out of common everyday tasks is something that every family can appreciate In this inaugural book about home automation you'll learn how to incorporate the right types of products and systems into your house to achieve a new level of comfort convenience safety and efficiency The book walks you step by step through the process of automating your home and because automation systems are able to control just about anything electronic you can imagine we've provided plenty of practical ideas In 10 Key Features of a Home Automation System and Automation Ideas for Every System of Your House you'll gather more than enough recommendations to get started in your automation endeavor No matter how many great ideas you gather from our Home Automation book though it's important that the system you buy today incorporates the most recent iterations of control technologies We've followed the automation trends put them into perspective and offer advice on the critical new updates upgrades and upstarts you'll want to look into when selecting a system In addition to deciding what you want your automation system to do you'll want to determine whether you'd like to install the system yourself or hire a professional to handle the task Both methods offer their own unique set of advantages and disadvantages so be sure to read DIY or

Professionally Installed before making your decision You'll also want to check out our comprehensive directory of home automation manufacturers before taking the plunge Finally we finish the book with a series of finished automation installations which range from a basic starter package in a condo to a full blown bells and whistles system for a bigger house You'll see what types of features that owners of these homes chose to incorporate and hear how automation is truly making a difference in their lives The technology has been so carefully designed and meticulously installed that you may not even notice it in the full color photography of many of the rooms where lights motorized window shades and A V equipment have been automated to dim brighten turn on and off open and close and adjust and reset based on the time of day occupancy or the single touch of a button

[Arduino Bluetooth Based Home Automation](#) Mehmet AVCU,2021-01-05 Arduino Bluetooth Based Home Automation

**Arduino Home Automation Projects** Marco Schwartz,2014-07-23 This book is divided into projects that are explained in a step by step format with practical instructions that are easy to follow If you want to build your own home automation systems wirelessly using the Arduino platform this is the book for you You will need to have some basic experience in Arduino and general programming languages such as C and C++ to understand the projects in this book

*Building a Home Security System with BeagleBone* Bill Pretty,2013-12-17 Building a Home Security System with BeagleBone is a practical hands on guide for practical hands on people The book includes step by step instructions for assembling your own hardware on professionally manufactured PCBs and setting up the software on your system This book is for anyone who is interested in alarm systems and how they work for hobbyists and basement tinkerers who love to build things If you want to build the hardware described in this book you will need some basic soldering skills but all the parts are of the thru hole variety and are very easy to put together When it comes to software you can just run it as is but if you want to modify the code you will need knowledge of Java and IDEs

[Essential Guide to Smart Home Automation Safety and Security](#) Gerard O'Driscoll,2015-03-02 This book addresses readers who wish to gain an in depth understanding of Smart Home alarm and safety systems Detail is provided on six key smart systems that you can use to enhance your family's home security levels namely smart alarm systems Smart IP cameras Smart combo alarm devices smart access control smart locks and smart doorbells In addition to covering the integration of alarm and fire detection systems with your smartphone App this chapter also deals with adding smart air quality control water and freeze alert capabilities to your home This mini ebook includes technical illustrations examples of how smart homes are helping people insights from Gerard and details of an awesome monthly giveaway

*Home Security System DIY Wireless IoT Using ESP32 CAM and Android* Robert Chin,2022-08-07 This book shows you how you can save tons of money by building your own low cost maximum privacy and maximum security professional quality wireless home security system from common off the shelf parts You can monitor the home security system using your existing Android cell phone and existing home internet connection You will save lots of money on the home security system hardware itself as well as enjoy free email alert notifications and or low cost cell phone

text message alert notifications depending on the monitoring options you choose Easy to understand step by step instructions will be given so that the average non technical person will be able to assemble and operate this home security system The main components of the security system are the ESP32 CAM a motion sensor an Android cell phone and a home internet connection In addition custom software created by the author will be provided for the ESP32 and Android devices Security System Main Features Live Real Time Local Video Monitoring using multiple ESP32 CAM units Free Email Notifications With Images Using Your Existing Home Internet Connection Low Cost Text Message Notifications Using Your Android Cell Phone Easy Hardware Assembly and Simple Software Setup Procedure Use your existing Android cell phone to control and monitor your alarm system Modular sensor system allows you to add up to 11 ESP32 CAM units with motion sensors to the security system Maximum Security and Privacy Security System Basic Operation 1 Set up your security system for operation using your Controller cell phone 2 Activate the security system using your Controller cell phone 3 Receive emergency text alerts on your personal cell phone if the alarm has been tripped 4 Receive emergency emails with images of people that have tripped the sensors in or outside of your home to an email address you designate 5 If an intruder or other emergency is confirmed then call the police as needed

Wireless Based Home Security with Automation System Wan Norziela Wan Rosli,2010 The aim of the project is to design a wireless based home security with automation system The system uses wireless technology to revolutionize the standards of living which could give assurance for user to protect their homes from burglars thieves and criminals This project is so versatile and is equipped with various sensors such as passive infrared sensor magnetic switch sensor and vibration sensor to detect different forms of intrusion A microcontroller is used to control the system operation while a remote gadget is used to arm and disarm the system To ensure only the authorized user can operate the system the gadget is equipped with a password Various indication outputs such as BUZZER LED and LCD are used to display the alarm status In addition the sound indicators like siren are also included in the design to inform intrusion Due to the consideration of user friendliness portability as well as wider area coverage all the sensors and remote gadget are implemented using zigbee transceiver A backup battery module is also introduced in the design to ensure the system keep functioning even during power failure

**Home Automation System Using Arduino System Via IR Sensor** Akashdeep Singh,Varinder Singh,Gagandeep Singh,2018-10-07 This work presents the design and model implementation of a novel home automation system applying the Internet of Things IoT technology It seeks simplified design protocols for developing a robust home automation system to deal with the problems of complexity multiple incompatible standards and the resulting expenses in the existing systems The embedded system features the ubiquitous low cost 32 bit ESP8266 System on chip SoC module interfaced to some sensors and actuators for interaction in the home Flexibility in the remote access operation and management is achieved through HTML5 based intuitive mobile and web GUI applications Web Application Messaging Protocol WAMP is deployed to ensure that individual applications and systems seamlessly communicate with a relatively high

level of security using robust web service security protocol This system offers a cost effective and efficient solution excluded which are present mostly in other solutions because the costs of a dedicated public IP address and a high end computer are excluded which are present mostly in other solutions **Advanced Home Security System** Ali Abbas,2017

Bluetooth Based Home Automation And Security System Using Arm9: Bestsellers in 2023 The year 2023 has witnessed a remarkable surge in literary brilliance, with numerous engrossing novels enthraling the hearts of readers worldwide. Lets delve into the realm of top-selling books, exploring the fascinating narratives that have enthralled audiences this year. The Must-Read : Colleen Hoover's "It Ends with Us" This heartfelt tale of love, loss, and resilience has gripped readers with its raw and emotional exploration of domestic abuse. Hoover masterfully weaves a story of hope and healing, reminding us that even in the darkest of times, the human spirit can prevail. Uncover the Best : Taylor Jenkins Reids "The Seven Husbands of Evelyn Hugo" This captivating historical fiction novel unravels the life of Evelyn Hugo, a Hollywood icon who defies expectations and societal norms to pursue her dreams. Reids captivating storytelling and compelling characters transport readers to a bygone era, immersing them in a world of glamour, ambition, and self-discovery. Bluetooth Based Home Automation And Security System Using Arm9 : Delia Owens "Where the Crawdads Sing" This captivating coming-of-age story follows Kya Clark, a young woman who grows up alone in the marshes of North Carolina. Owens spins a tale of resilience, survival, and the transformative power of nature, captivating readers with its evocative prose and mesmerizing setting. These bestselling novels represent just a fraction of the literary treasures that have emerged in 2023. Whether you seek tales of romance, adventure, or personal growth, the world of literature offers an abundance of captivating stories waiting to be discovered. The novel begins with Richard Papen, a bright but troubled young man, arriving at Hampden College. Richard is immediately drawn to the group of students who call themselves the Classics Club. The club is led by Henry Winter, a brilliant and charismatic young man. Henry is obsessed with Greek mythology and philosophy, and he quickly draws Richard into his world. The other members of the Classics Club are equally as fascinating. Bunny Corcoran is a wealthy and spoiled young man who is always looking for a good time. Charles Tavis is a quiet and reserved young man who is deeply in love with Henry. Camilla Macaulay is a beautiful and intelligent young woman who is drawn to the power and danger of the Classics Club. The students are all deeply in love with Morrow, and they are willing to do anything to please him. Morrow is a complex and mysterious figure, and he seems to be manipulating the students for his own purposes. As the students become more involved with Morrow, they begin to commit increasingly dangerous acts. The Secret History is a masterful and suspenseful novel that will keep you guessing until the very end. The novel is a warning tale about the dangers of obsession and the power of evil.

[https://py.bijouxmedusa.com/book/scholarship/Documents/Lifestyle\\_For\\_Beginners\\_For\\_Small\\_Business\\_30\\_2523\\_Minimalist\\_Lifestyle.pdf](https://py.bijouxmedusa.com/book/scholarship/Documents/Lifestyle_For_Beginners_For_Small_Business_30_2523_Minimalist_Lifestyle.pdf)

## **Table of Contents Bluetooth Based Home Automation And Security System Using Arm9**

1. Understanding the eBook Bluetooth Based Home Automation And Security System Using Arm9
  - The Rise of Digital Reading Bluetooth Based Home Automation And Security System Using Arm9
  - Advantages of eBooks Over Traditional Books
2. Identifying Bluetooth Based Home Automation And Security System Using Arm9
  - Exploring Different Genres
  - Considering Fiction vs. Non-Fiction
  - Determining Your Reading Goals
3. Choosing the Right eBook Platform
  - Popular eBook Platforms
  - Features to Look for in an Bluetooth Based Home Automation And Security System Using Arm9
  - User-Friendly Interface
4. Exploring eBook Recommendations from Bluetooth Based Home Automation And Security System Using Arm9
  - Personalized Recommendations
  - Bluetooth Based Home Automation And Security System Using Arm9 User Reviews and Ratings
  - Bluetooth Based Home Automation And Security System Using Arm9 and Bestseller Lists
5. Accessing Bluetooth Based Home Automation And Security System Using Arm9 Free and Paid eBooks
  - Bluetooth Based Home Automation And Security System Using Arm9 Public Domain eBooks
  - Bluetooth Based Home Automation And Security System Using Arm9 eBook Subscription Services
  - Bluetooth Based Home Automation And Security System Using Arm9 Budget-Friendly Options
6. Navigating Bluetooth Based Home Automation And Security System Using Arm9 eBook Formats
  - ePub, PDF, MOBI, and More
  - Bluetooth Based Home Automation And Security System Using Arm9 Compatibility with Devices
  - Bluetooth Based Home Automation And Security System Using Arm9 Enhanced eBook Features
7. Enhancing Your Reading Experience
  - Adjustable Fonts and Text Sizes of Bluetooth Based Home Automation And Security System Using Arm9
  - Highlighting and Note-Taking Bluetooth Based Home Automation And Security System Using Arm9
  - Interactive Elements Bluetooth Based Home Automation And Security System Using Arm9

8. Staying Engaged with Bluetooth Based Home Automation And Security System Using Arm9
  - Joining Online Reading Communities
  - Participating in Virtual Book Clubs
  - Following Authors and Publishers Bluetooth Based Home Automation And Security System Using Arm9
9. Balancing eBooks and Physical Books Bluetooth Based Home Automation And Security System Using Arm9
  - Benefits of a Digital Library
  - Creating a Diverse Reading Collection Bluetooth Based Home Automation And Security System Using Arm9
10. Overcoming Reading Challenges
  - Dealing with Digital Eye Strain
  - Minimizing Distractions
  - Managing Screen Time
11. Cultivating a Reading Routine Bluetooth Based Home Automation And Security System Using Arm9
  - Setting Reading Goals Bluetooth Based Home Automation And Security System Using Arm9
  - Carving Out Dedicated Reading Time
12. Sourcing Reliable Information of Bluetooth Based Home Automation And Security System Using Arm9
  - Fact-Checking eBook Content of Bluetooth Based Home Automation And Security System Using Arm9
  - Distinguishing Credible Sources
13. Promoting Lifelong Learning
  - Utilizing eBooks for Skill Development
  - Exploring Educational eBooks
14. Embracing eBook Trends
  - Integration of Multimedia Elements
  - Interactive and Gamified eBooks

### **Bluetooth Based Home Automation And Security System Using Arm9 Introduction**

In this digital age, the convenience of accessing information at our fingertips has become a necessity. Whether its research papers, eBooks, or user manuals, PDF files have become the preferred format for sharing and reading documents. However, the cost associated with purchasing PDF files can sometimes be a barrier for many individuals and organizations. Thankfully, there are numerous websites and platforms that allow users to download free PDF files legally. In this article, we will explore some of the best platforms to download free PDFs. One of the most popular platforms to download free PDF files is Project

Gutenberg. This online library offers over 60,000 free eBooks that are in the public domain. From classic literature to historical documents, Project Gutenberg provides a wide range of PDF files that can be downloaded and enjoyed on various devices. The website is user-friendly and allows users to search for specific titles or browse through different categories. Another reliable platform for downloading Bluetooth Based Home Automation And Security System Using Arm9 free PDF files is Open Library. With its vast collection of over 1 million eBooks, Open Library has something for every reader. The website offers a seamless experience by providing options to borrow or download PDF files. Users simply need to create a free account to access this treasure trove of knowledge. Open Library also allows users to contribute by uploading and sharing their own PDF files, making it a collaborative platform for book enthusiasts. For those interested in academic resources, there are websites dedicated to providing free PDFs of research papers and scientific articles. One such website is Academia.edu, which allows researchers and scholars to share their work with a global audience. Users can download PDF files of research papers, theses, and dissertations covering a wide range of subjects. Academia.edu also provides a platform for discussions and networking within the academic community. When it comes to downloading Bluetooth Based Home Automation And Security System Using Arm9 free PDF files of magazines, brochures, and catalogs, Issuu is a popular choice. This digital publishing platform hosts a vast collection of publications from around the world. Users can search for specific titles or explore various categories and genres. Issuu offers a seamless reading experience with its user-friendly interface and allows users to download PDF files for offline reading. Apart from dedicated platforms, search engines also play a crucial role in finding free PDF files. Google, for instance, has an advanced search feature that allows users to filter results by file type. By specifying the file type as "PDF," users can find websites that offer free PDF downloads on a specific topic. While downloading Bluetooth Based Home Automation And Security System Using Arm9 free PDF files is convenient, it's important to note that copyright laws must be respected. Always ensure that the PDF files you download are legally available for free. Many authors and publishers voluntarily provide free PDF versions of their work, but it's essential to be cautious and verify the authenticity of the source before downloading Bluetooth Based Home Automation And Security System Using Arm9. In conclusion, the internet offers numerous platforms and websites that allow users to download free PDF files legally. Whether it's classic literature, research papers, or magazines, there is something for everyone. The platforms mentioned in this article, such as Project Gutenberg, Open Library, Academia.edu, and Issuu, provide access to a vast collection of PDF files. However, users should always be cautious and verify the legality of the source before downloading Bluetooth Based Home Automation And Security System Using Arm9 any PDF files. With these platforms, the world of PDF downloads is just a click away.

### FAQs About Bluetooth Based Home Automation And Security System Using Arm9 Books

How do I know which eBook platform is the best for me? Finding the best eBook platform depends on your reading preferences and device compatibility. Research different platforms, read user reviews, and explore their features before making a choice. Are free eBooks of good quality? Yes, many reputable platforms offer high-quality free eBooks, including classics and public domain works. However, make sure to verify the source to ensure the eBook credibility. Can I read eBooks without an eReader? Absolutely! Most eBook platforms offer web-based readers or mobile apps that allow you to read eBooks on your computer, tablet, or smartphone. How do I avoid digital eye strain while reading eBooks? To prevent digital eye strain, take regular breaks, adjust the font size and background color, and ensure proper lighting while reading eBooks. What the advantage of interactive eBooks? Interactive eBooks incorporate multimedia elements, quizzes, and activities, enhancing the reader engagement and providing a more immersive learning experience. Bluetooth Based Home Automation And Security System Using Arm9 is one of the best book in our library for free trial. We provide copy of Bluetooth Based Home Automation And Security System Using Arm9 in digital format, so the resources that you find are reliable. There are also many Ebooks of related with Bluetooth Based Home Automation And Security System Using Arm9. Where to download Bluetooth Based Home Automation And Security System Using Arm9 online for free? Are you looking for Bluetooth Based Home Automation And Security System Using Arm9 PDF? This is definitely going to save you time and cash in something you should think about.

### Find Bluetooth Based Home Automation And Security System Using Arm9 :

*lifestyle for beginners for small business 30-2523 minimalist lifestyle*

*living roadmap America 30-2911 sustainable living software America*

*creators 30-2971 crypto investing trends for entrepreneurs 30-1741*

**career growth roadmap USA 30-2344 career growth roadmap United States**

**for small business 30-1268 resume writing strategies for small business**

*examples for startups 30-2999 blockchain development explained for*

**smart home tech step by step America 30-2486 smart home tech step by**

**30-2720 startup funding checklist for creators 30-513 startup funding**

*practices America 30-2700 small business ideas best practices America*

**strategy guide for creators 30-2816 SEO strategy guide for entrepreneurs**

**cybersecurity guide for entrepreneurs 30-958 cybersecurity ideas USA**

**small business 30-876 AI tools for beginners for creators 30-1430 AI**  
business 30-1956 productivity hacks software America 30-1525  
**marketing blueprint USA 30-2572 TikTok marketing blueprint United States**  
**budget travel comparison for startups 30-775 budget travel examples for**

**Bluetooth Based Home Automation And Security System Using Arm9 :**

**el libro del pueblo de dios intratext vatican** - Mar 10 2023

web pulse aquí para desactivar los vínculos a las concordancias capítulo 8 1 por lo tanto ya no hay condenación para aquellos que viven unidos a cristo Jesús 2 porque la ley del

*el libro del pueblo de dios vatican* - Aug 15 2023

web may 7 2007 el libro del pueblo de dios 2 3 primera carta a timoteo 1 2 3 4 5 6 segunda carta a timoteo 1 2 3 4 carta a tito 1 2 3 carta a

**el libro del pueblo de dios intratext vatican** - Apr 11 2023

web capítulo 1 1 en mi primer libro queridoteófilo merefería todo lo que hizo y enseñó Jesús desde el comienzo 2 hasta el día en que subió al cielo después de haber dado por

**la biblia libro del pueblo de dios y de francisco con** - Mar 30 2022

web nov 19 2018 tamaño 7 72 mb precio sin iva 9 08 pvp 10 99 versión impresa versión impresa precio 22 88 edición digital en formato epub de la biblia libro del

**sobica in centro bíblico san pablo biblias online para leer y** - Sep 23 2021

*el libro del pueblo de dios intratext vatican* - Jun 13 2023

web 77 para hacer conocer a su pueblo la salvación mediante el perdón de los pecados 78 gracias a la misericordiosa ternura de nuestro dios que nos traerá del cielo la visita del

la biblia libro del pueblo de dios bibleget i o - Nov 06 2022

web jul 5 2015 libro del pueblo de dios la primera realizada desde las lenguas originales al español de América que desde su aparición en 1980 hasta nuestros días ha tenido una

la biblia libro del pueblo de dios google books - Apr 30 2022

web jun 22 2015 libro del pueblo de dios y de francisco con traducciones bíblicas de vd 22 06 2015 elías perez de ed verbo divino acaba de entregar al papa foto

**la biblia libro del pueblo de dios spanish edition** - Sep 04 2022

web impresa en españa por editorial verbo divino fue presentada la nueva edición de la biblia libro del pueblo de dios que tiene tras de sí un largo recorrido protagonizado

*libro del pueblo de dios wikipedia la enciclopedia libre* - Dec 07 2022

web la biblia libro del pueblo de dios la fundación palabra de vida se creó para la difusión de el libro del pueblo de dios la biblia una traducción que llevó a dos de sus

la biblia libro del pueblo de dios epub verbo divino - Jan 28 2022

web juan capítulo 14 no se inquieten crean en dios y crean también en mí en la casa de mi padre hay muchas habitaciones si no fuera así se lo habría dicho a ustedes yo voy a

el libro del pueblo de dios la biblia goodreads - Nov 25 2021

web la biblia libro del pueblo de dios es una nueva edición de la biblia con la traducción de armando j levoratti y alfredo b trusso y nuevas notas ampliadas y actualizadas del

**el libro del pueblo de dios intratext vatican** - Jan 08 2023

web libro del pueblo de dios también conocida como biblia levoratti trusso es una versión católica de la biblia publicada en argentina con un lenguaje sencillo y una traducción

**juan 14 biblia el libro del pueblo de dios** - Dec 27 2021

web un libro en dos tiempos toda la biblia es la historia de las alianzas de dios con los hombres para nuestros hermanos de israel la biblia se reduce a lo que llamamos el

*nueva edición de la biblia libro del pueblo de dios aica* - Aug 03 2022

web nov 19 2018 libro del pueblo de dios traducción de armando jorge levoratti y alfredo b trusso realizada a partir de las lenguas originales gran aparato de notas

*el libro del pueblo de dios intratext vatican* - Jul 14 2023

web en cambio el que los cumpla y enseñe será considerado grande en el reino de los cielos 20 les aseguro que si la justicia de ustedes no es superior a la de los escribas y

la biblia libro del pueblo de dios epub formato digital - Feb 26 2022

web libro del pueblo de dios traducción de armando jorge levoratti y alfredo b trusso realizada a partir de las lenguas originales gran aparato de notas enteramente

*biblia libro pueblo dios iberlibro* - Oct 25 2021

web la palabra de dios al servicio de todos en este espacio queremos presentar algunos de nuestros proyectos que abarcan traducciones de la biblia a varios idiomas presentación

*la biblia libro del pueblo de dios edición cartoné* - Oct 05 2022

web la biblia libro del pueblo de dios spanish edition edición kindle la biblia libro del pueblo de dios es una nueva edición de la biblia con la traducción de armando j

[amazon com la biblia libro del pueblo de dios edición cartoné](#) - Jun 01 2022

web oct 26 2018 la biblia libro del pueblo de dios es una nueva edición de la biblia con la traducción de armando j levoratti y alfredo b trusso con nuevas notas ampliadas y

**la biblia libro del pueblo de dios ahora en formato ebook** - Jul 02 2022

web libro del pueblo de dios traducción de armando jorge levoratti y alfredo b trusso realizada a partir de las lenguas originales gran aparato de notas enteramente

**biblia el libro del pueblo de dios** - Feb 09 2023

web 1 les aseguro que el que no entrará por la puerta en el corral de las ovejas sino por otro lado es un ladrón un asaltante 2 el que entrará por la puerta es el pastor de las ovejas 3 el

**el libro del pueblo de dios intratext vatican** - May 12 2023

web 27 pero yo les digo a ustedes que me escuchan amen a sus enemigos hagan el bien a los que los odian 28 bendigan a los que los maldicen rueguen por lo que los

[11 event reminder emails to copy 21 email subject lines](#) - Aug 12 2023

an excellent method to guarantee that your event is well attended and that attendees have all the information they need to have a wonderful time is to send out an event see more

**how to write a reminder email for an event jotform** - Apr 08 2023

web feb 3 2023 write your event reminder emails in a tone that is friendly but still professional it may be beneficial to use upbeat and encouraging language to remind

**gentle reminder email 9 examples and template flowrite** - May 29 2022

web by sky ariella aug 2 2023 find a job you really want in there may come a time when you don't get an answer to your email or you have to send an email to remind people of

*friendly reminder for event cliently* - Jan 25 2022

web apr 30 2022 contents what is a reminder email when should you send a friendly reminder email how to write a gentle reminder email reminder email samples

*how to write a good reminder email with examples calendly* - Mar 07 2023

web apr 10 2023 jotform offers integrated features for automated event reminder emails simply choose the timeline for the reminders then schedule the emails for delivery

*how to write an event reminder email template and examples* - May 09 2023

here are 23 catchy event reminder email subject lines 1 your invitation to techfest 23 2 zoom meeting reminder 3 mark the dates for event name 4 don t miss the biggest sale of the year on event date 5 reminder for the see more

[how to write and send a reminder email examples templates](#) - Dec 24 2021

web 2 days ago step 1 begin with a friendly salutation start your message off with a friendly greeting such as hi there or good day this will set the tone for the rest of your

**16 meeting reminder template email examples savvyca** - Jun 29 2022

web feb 26 2021 professional meeting reminder emails sales reminder emails online event reminder emails product launch reminder emails we ve categorized each

**how to send the perfect friendly reminder email** - Jun 10 2023

your event kind and target audience will determine the appropriate scheduling still according to industry best practices you should send at least three event reminder emails in addition to the one that confirms your registration see more

*how to write a friendly reminder email using best practices* - Oct 02 2022

web nov 28 2021 quick reminder that our scheduled meeting is just a day away looking forward to talking with you date at time signature 4 same day meeting call

**event reminder email templates how to write** - Jan 05 2023

web oct 20 2020 the final step in creating a friendly email reminder is to close your message you ll do that with one last sentence and your email signature your final

**how to write a friendly reminder email with examples** - Feb 23 2022

web 1 simple friendly reminder a simple friendly reminder email can quickly be adjusted for different situations and people use the subject line to get the receiver s attention

**5 examples of text reminders for appointments small** - Sep 20 2021

**crafting an effective event reminder email a comprehensive guide** - Jul 31 2022

web aug 15 2017 10 event email reminder with agenda 11 getting past promotions tab 12 provocative event email reminder non traditional 13 event email reminder with a

**11 event reminder emails to use in 2023 23 subject line** - Sep 13 2023

an event reminder email is a message sent to individuals or groups to remind them of an upcoming event this type of emails typically used to remind people of the date time location of the event and any other essential details such as the dress code or what to bring a link to a website or other resource for more see more

**the ultimate event reminder email guide chamaileon** - Dec 04 2022

web may 24 2023 reminder email examples for the best engagement if you want to make your reminder emails impactful and action oriented we have some great templates

**12 friendly reminder email examples plus format and tips** - Nov 22 2021

event reminder email templates liveagent - Feb 06 2023

web nov 4 2021 they re professional and effective yet friendly and gentle in this article you ll learn how to craft emails like this and we encourage you to borrow from our samples

**13 great event reminder email techniques that really work** - Apr 27 2022

web friendly reminder event reminder email sample reason 3 to provide additional information about the event the friendly reminder event reminder email sample

**how to write an event reminder email tips** - Nov 03 2022

web jul 24 2023 hanna kuznietsova table of contents mastering the art of writing an effective event reminder message online event reminder email campaigns best practices and

**friendly reminder email templates 18 samples you should try** - Sep 01 2022

web may 1 2023 how to write a reminder email with 9 email samples and templates this guide has all you need to send professional and polite reminder emails read our best

*event reminder emails with templates examples* - Jul 11 2023

a well written event reminder email can serve other purposes than just being a reminder as we discussed above it is one way you can market your brand by including branding see more

**40 reminder email templates for every use list for 2023** - Mar 27 2022

web sep 12 2023 examples to get inspired reminder email templates let s start try moosend today the easiest and most affordable email marketing and newsletter

**how to write a reminder email with samples prowritingaid** - Oct 22 2021

**frontiers back to basics reflective take of role of mcqs in** - Dec 28 2022

web nov 6 2023 the final summative assessment or the professional examination is

mcq exam in overdenture free orientation sutd edu sg - May 01 2023

web mcq exam in overdenture free objective question and answer english grammar quiz

*most important science mcq for psc miscellaneous exam 2024* - Jun 21 2022

web nov 5 2023 in this session arunava panda will discuss most important science mcq

*mcqs on complete dentures pdf dentures dentistry scribd* - Mar 31 2023  
web mcqs on complete dentures impression procedures in making a final impression for  
*mcq exam in overdenture free pdf cyberlab sutd edu sg* - Feb 27 2023  
web mcq exam in overdenture free removable prosthodontic techniques sep 12 2021  
**mcqs on interior decoration and designing 5 smart vidya** - Mar 19 2022  
web correct answer option a 5 the decoration of the front parlour of traditional arabic  
**mcq exam in overdenture git 02 infra lede project org** - Oct 14 2021  
web sep 17 2023 mcq exam in overdenture page 1 of 10 bds final professional  
[mcq exam in overdenture secure4 khronos](#) - Sep 12 2021  
web jun 14 2023 we reimburse for mcq exam in overdenture and plentiful books  
*250 top mcqs on interchange of degree of comparisons and* - May 21 2022  
web 250 top mcqs on interchange of degree of comparisons and answers professional  
**read free mcq exam in overdenture cyberlab sutd edu sg** - Nov 26 2022  
web mcq exam in overdenture clinical cases in prosthodontics dec 20 2022 wiley  
*mcq exam in overdenture free orientation sutd edu* - Oct 26 2022  
web mcq exam in overdenture free mcq exam in overdenture free pte practise test 14  
*mcq exam in overdenture media joomlashine com* - Nov 14 2021  
web mcq exam in overdenture may 1st 2018 this blog is to support dental graduates who  
[mcq exam in overdenture orientation sutd edu](#) - Dec 16 2021  
web free medical mcq exam in overdenture free download free book pdf mcq exam in  
**250 top mcqs on doors and windows and answers** - Apr 19 2022  
web 1 the most common type of door is a double leaf door b louvered door c single leaf  
**mcq exam in overdenture orientation sutd edu** - Jan 17 2022  
web medical mcq exam in overdenture free download free book pdf mcq exam in  
**free mcq exam in overdenture free cyberlab sutd edu sg** - Feb 15 2022  
web mcq exam in overdenture free overdenture aug 31 2022 preventive prosthodontics  
[mcq exam in overdenture blog theupside com](#) - Aug 24 2022  
web mcq exam in overdenture downloaded from blog theupside com by guest carney  
[mcq exam in overdenture](#) - Jan 29 2023  
web mcq exam in overdenture mcq exam in overdenture college of alberta denturists

*mcq exam in overdenture pdf 2023 isip ovcrd upd edu - Sep 24 2022*

web mcq exam in overdenture pdf pages 2 18 mcq exam in overdenture pdf upload

*mcq exam in overdenture orientation sutd edu - Jun 02 2023*

web mcq exam in overdenture examination figure 3 the only severe malocclusion

**multiple choice question mcq exam 15 sample questions** - Oct 06 2023

web 15 sample questions 1 what is characteristic of a transitional immediate complete denture a the denture can be relined once healing is complete b the denture can be placed in the mouth after healing is complete c the denture is temporary and is replaced after

*mcq exam in overdenture free cyberlab sutd edu sg - Aug 04 2023*

web mcq exam in overdenture free implant overdentures jul 11 2023 leading experts

**mcq questions on icse class 8 grammar tenses** - Jul 23 2022

web practice teststimed tests select the number of questions for the test 5 10 get mcq

pdf mcq exam in overdenture cyberlab sutd edu sg - Jul 03 2023

web mcq exam in overdenture journal of prosthodontics on complete and removable

mcq exam in overdenture orientation sutd edu sg - Sep 05 2023

web mcq exam in overdenture 1100 mcq in dentistry with answers slideshare may 12th