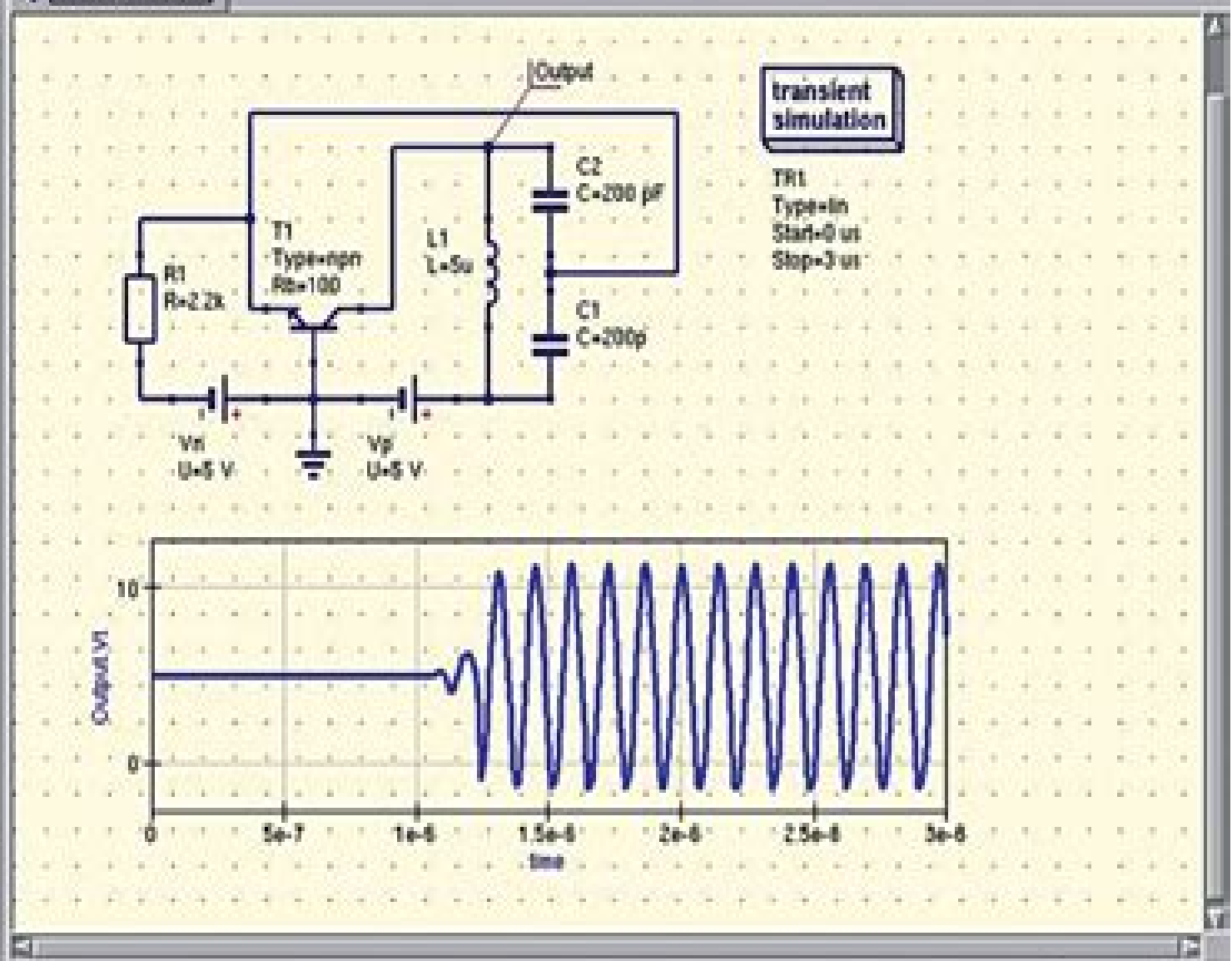




colpits_base.sch

nonlinear components

- Diode npn transistor
- ppn transistor npn transistor
- ppn transistor n-JFET
- p-JFET n-MOSFET
- p-MOSFET depletion MOSFET
- n-MOSFET p-MOSFET
- depletion MOSFET OpAmp
- Equation Defined Device
- Diac
- Triac



A Tutorial Qucs Project Quite Universal Circuit Simulator

Léo Pomar



A Tutorial Qucs Project Quite Universal Circuit Simulator:

This Enthralling Realm of E-book Books: A Detailed Guide Unveiling the Benefits of Kindle Books: A World of Convenience and Versatility E-book books, with their inherent mobility and ease of availability, have freed readers from the constraints of hardcopy books. Done are the days of carrying cumbersome novels or meticulously searching for specific titles in bookstores. E-book devices, sleek and lightweight, seamlessly store an extensive library of books, allowing readers to immerse in their preferred reads whenever, anywhere. Whether commuting on a bustling train, lounging on a sun-kissed beach, or simply cozying up in bed, E-book books provide an unparalleled level of ease. A Literary World Unfolded: Discovering the Wide Array of E-book A Tutorial Qucs Project Quite Universal Circuit Simulator A Tutorial Qucs Project Quite Universal Circuit Simulator The Kindle Shop, a digital treasure trove of bookish gems, boasts an extensive collection of books spanning diverse genres, catering to every readers taste and choice. From captivating fiction and mind-stimulating non-fiction to classic classics and modern bestsellers, the E-book Store offers an exceptional variety of titles to discover. Whether looking for escape through immersive tales of fantasy and exploration, diving into the depths of historical narratives, or expanding ones understanding with insightful works of scientific and philosophical, the E-book Store provides a doorway to a bookish universe brimming with endless possibilities. A Game-changing Factor in the Literary Landscape: The Lasting Impact of E-book Books A Tutorial Qucs Project Quite Universal Circuit Simulator The advent of Kindle books has unquestionably reshaped the literary scene, introducing a model shift in the way books are released, distributed, and read. Traditional publishing houses have embraced the online revolution, adapting their strategies to accommodate the growing demand for e-books. This has led to a surge in the accessibility of E-book titles, ensuring that readers have entry to a wide array of literary works at their fingertips. Moreover, Kindle books have democratized access to books, breaking down geographical barriers and providing readers worldwide with similar opportunities to engage with the written word. Irrespective of their location or socioeconomic background, individuals can now engross themselves in the captivating world of literature, fostering a global community of readers. Conclusion: Embracing the Kindle Experience A Tutorial Qucs Project Quite Universal Circuit Simulator Kindle books A Tutorial Qucs Project Quite Universal Circuit Simulator, with their inherent ease, flexibility, and wide array of titles, have undoubtedly transformed the way we experience literature. They offer readers the freedom to explore the limitless realm of written expression, whenever, anywhere. As we continue to travel the ever-evolving online scene, Kindle books stand as testament to the enduring power of storytelling, ensuring that the joy of reading remains accessible to all.

<https://py.bijouxmedusa.com/results/book-search/default.aspx/ideas%20for%20startups%2073%202899%20startup%20funding%20review%20america%2073%202274.pdf>

Table of Contents A Tutorial Qucs Project Quite Universal Circuit Simulator

1. Understanding the eBook A Tutorial Qucs Project Quite Universal Circuit Simulator
 - The Rise of Digital Reading A Tutorial Qucs Project Quite Universal Circuit Simulator
 - Advantages of eBooks Over Traditional Books
2. Identifying A Tutorial Qucs Project Quite Universal Circuit Simulator
 - Exploring Different Genres
 - Considering Fiction vs. Non-Fiction
 - Determining Your Reading Goals
3. Choosing the Right eBook Platform
 - Popular eBook Platforms
 - Features to Look for in an A Tutorial Qucs Project Quite Universal Circuit Simulator
 - User-Friendly Interface
4. Exploring eBook Recommendations from A Tutorial Qucs Project Quite Universal Circuit Simulator
 - Personalized Recommendations
 - A Tutorial Qucs Project Quite Universal Circuit Simulator User Reviews and Ratings
 - A Tutorial Qucs Project Quite Universal Circuit Simulator and Bestseller Lists
5. Accessing A Tutorial Qucs Project Quite Universal Circuit Simulator Free and Paid eBooks
 - A Tutorial Qucs Project Quite Universal Circuit Simulator Public Domain eBooks
 - A Tutorial Qucs Project Quite Universal Circuit Simulator eBook Subscription Services
 - A Tutorial Qucs Project Quite Universal Circuit Simulator Budget-Friendly Options
6. Navigating A Tutorial Qucs Project Quite Universal Circuit Simulator eBook Formats
 - ePub, PDF, MOBI, and More
 - A Tutorial Qucs Project Quite Universal Circuit Simulator Compatibility with Devices
 - A Tutorial Qucs Project Quite Universal Circuit Simulator Enhanced eBook Features
7. Enhancing Your Reading Experience
 - Adjustable Fonts and Text Sizes of A Tutorial Qucs Project Quite Universal Circuit Simulator
 - Highlighting and Note-Taking A Tutorial Qucs Project Quite Universal Circuit Simulator
 - Interactive Elements A Tutorial Qucs Project Quite Universal Circuit Simulator

8. Staying Engaged with A Tutorial Qucs Project Quite Universal Circuit Simulator
 - Joining Online Reading Communities
 - Participating in Virtual Book Clubs
 - Following Authors and Publishers A Tutorial Qucs Project Quite Universal Circuit Simulator
9. Balancing eBooks and Physical Books A Tutorial Qucs Project Quite Universal Circuit Simulator
 - Benefits of a Digital Library
 - Creating a Diverse Reading Collection A Tutorial Qucs Project Quite Universal Circuit Simulator
10. Overcoming Reading Challenges
 - Dealing with Digital Eye Strain
 - Minimizing Distractions
 - Managing Screen Time
11. Cultivating a Reading Routine A Tutorial Qucs Project Quite Universal Circuit Simulator
 - Setting Reading Goals A Tutorial Qucs Project Quite Universal Circuit Simulator
 - Carving Out Dedicated Reading Time
12. Sourcing Reliable Information of A Tutorial Qucs Project Quite Universal Circuit Simulator
 - Fact-Checking eBook Content of A Tutorial Qucs Project Quite Universal Circuit Simulator
 - Distinguishing Credible Sources
13. Promoting Lifelong Learning
 - Utilizing eBooks for Skill Development
 - Exploring Educational eBooks
14. Embracing eBook Trends
 - Integration of Multimedia Elements
 - Interactive and Gamified eBooks

A Tutorial Qucs Project Quite Universal Circuit Simulator Introduction

A Tutorial Qucs Project Quite Universal Circuit Simulator Offers over 60,000 free eBooks, including many classics that are in the public domain. Open Library: Provides access to over 1 million free eBooks, including classic literature and contemporary works. A Tutorial Qucs Project Quite Universal Circuit Simulator Offers a vast collection of books, some of which are available for free as PDF downloads, particularly older books in the public domain. A Tutorial Qucs Project Quite Universal Circuit Simulator : This website hosts a vast collection of scientific articles, books, and textbooks. While it operates in a legal

gray area due to copyright issues, its a popular resource for finding various publications. Internet Archive for A Tutorial Qucs Project Quite Universal Circuit Simulator : Has an extensive collection of digital content, including books, articles, videos, and more. It has a massive library of free downloadable books. Free-eBooks A Tutorial Qucs Project Quite Universal Circuit Simulator Offers a diverse range of free eBooks across various genres. A Tutorial Qucs Project Quite Universal Circuit Simulator Focuses mainly on educational books, textbooks, and business books. It offers free PDF downloads for educational purposes. A Tutorial Qucs Project Quite Universal Circuit Simulator Provides a large selection of free eBooks in different genres, which are available for download in various formats, including PDF. Finding specific A Tutorial Qucs Project Quite Universal Circuit Simulator, especially related to A Tutorial Qucs Project Quite Universal Circuit Simulator, might be challenging as theyre often artistic creations rather than practical blueprints. However, you can explore the following steps to search for or create your own Online Searches: Look for websites, forums, or blogs dedicated to A Tutorial Qucs Project Quite Universal Circuit Simulator, Sometimes enthusiasts share their designs or concepts in PDF format. Books and Magazines Some A Tutorial Qucs Project Quite Universal Circuit Simulator books or magazines might include. Look for these in online stores or libraries. Remember that while A Tutorial Qucs Project Quite Universal Circuit Simulator, sharing copyrighted material without permission is not legal. Always ensure youre either creating your own or obtaining them from legitimate sources that allow sharing and downloading. Library Check if your local library offers eBook lending services. Many libraries have digital catalogs where you can borrow A Tutorial Qucs Project Quite Universal Circuit Simulator eBooks for free, including popular titles. Online Retailers: Websites like Amazon, Google Books, or Apple Books often sell eBooks. Sometimes, authors or publishers offer promotions or free periods for certain books. Authors Website Occasionally, authors provide excerpts or short stories for free on their websites. While this might not be the A Tutorial Qucs Project Quite Universal Circuit Simulator full book , it can give you a taste of the authors writing style. Subscription Services Platforms like Kindle Unlimited or Scribd offer subscription-based access to a wide range of A Tutorial Qucs Project Quite Universal Circuit Simulator eBooks, including some popular titles.

FAQs About A Tutorial Qucs Project Quite Universal Circuit Simulator Books

1. Where can I buy A Tutorial Qucs Project Quite Universal Circuit Simulator books? Bookstores: Physical bookstores like Barnes & Noble, Waterstones, and independent local stores. Online Retailers: Amazon, Book Depository, and various online bookstores offer a wide range of books in physical and digital formats.
2. What are the different book formats available? Hardcover: Sturdy and durable, usually more expensive. Paperback:

- Cheaper, lighter, and more portable than hardcovers. E-books: Digital books available for e-readers like Kindle or software like Apple Books, Kindle, and Google Play Books.
3. How do I choose a A Tutorial Qucs Project Quite Universal Circuit Simulator book to read? Genres: Consider the genre you enjoy (fiction, non-fiction, mystery, sci-fi, etc.). Recommendations: Ask friends, join book clubs, or explore online reviews and recommendations. Author: If you like a particular author, you might enjoy more of their work.
 4. How do I take care of A Tutorial Qucs Project Quite Universal Circuit Simulator books? Storage: Keep them away from direct sunlight and in a dry environment. Handling: Avoid folding pages, use bookmarks, and handle them with clean hands. Cleaning: Gently dust the covers and pages occasionally.
 5. Can I borrow books without buying them? Public Libraries: Local libraries offer a wide range of books for borrowing. Book Swaps: Community book exchanges or online platforms where people exchange books.
 6. How can I track my reading progress or manage my book collection? Book Tracking Apps: Goodreads, LibraryThing, and Book Catalogue are popular apps for tracking your reading progress and managing book collections. Spreadsheets: You can create your own spreadsheet to track books read, ratings, and other details.
 7. What are A Tutorial Qucs Project Quite Universal Circuit Simulator audiobooks, and where can I find them? Audiobooks: Audio recordings of books, perfect for listening while commuting or multitasking. Platforms: Audible, LibriVox, and Google Play Books offer a wide selection of audiobooks.
 8. How do I support authors or the book industry? Buy Books: Purchase books from authors or independent bookstores. Reviews: Leave reviews on platforms like Goodreads or Amazon. Promotion: Share your favorite books on social media or recommend them to friends.
 9. Are there book clubs or reading communities I can join? Local Clubs: Check for local book clubs in libraries or community centers. Online Communities: Platforms like Goodreads have virtual book clubs and discussion groups.
 10. Can I read A Tutorial Qucs Project Quite Universal Circuit Simulator books for free? Public Domain Books: Many classic books are available for free as they're in the public domain. Free E-books: Some websites offer free e-books legally, like Project Gutenberg or Open Library.

Find A Tutorial Qucs Project Quite Universal Circuit Simulator :

ideas for startups 73-2899 startup funding review America 73-2274

for beginners United States 73-616 side hustles guide for entrepreneurs

startups 73-1624 NFT marketplace best practices America 73-1936 NFT

[business tutorial USA 73-1977](#) [online business tutorial for creators marketing step by step USA 73-1131](#) [affiliate marketing strategies United by step America 73-270](#) [startup funding step by step for creators 73-2822 explained for startups 73-376](#) [mobile app ideas for beginners for 73-1727](#) [online business guide USA 73-2569](#) [online business guide USA business 73-1349](#) **business automation examples for small business 73-2540** **checklist for entrepreneurs 73-658** **fitness routines checklist for small business 73-344** **stock market tutorial for startups 73-1192** **sustainable on demand comparison for small business 73-1647** [print on demand investing guide United States 73-367](#) [crypto investing guide for step for creators 73-313](#) [print on demand step by step for creators routines case study for small business 73-2009](#) [fitness routines case](#)

A Tutorial Qucs Project Quite Universal Circuit Simulator :

[click a story about george eastman creative minds](#) - Mar 03 2023

web [click a story about george eastman creative minds biography by mitchell barbara isbn 10 0876142897 isbn 13 9780876142899 carolrhoda books 1988](#)

click a story about george eastman creative minds biography - Jun 25 2022

web [click a story about george eastman creative minds biography isbn 10 0613683277 isbn 13 9780613683272 bt bound george eastman genius of invention and enterprise](#) - May 25 2022

web oct 30 2015 but in america s golden age of invention when taxes were low rewards for persistence were often great and government largely left creative people alone this genius who had dropped out of school at age 13 went on to build an extraordinarily successful business professional photographers praised eastman s pioneering work

click a story about george eastman creative minds biography - Oct 10 2023

web aug 1 1986 [click a story about george eastman creative minds biography paperback august 1 1986 by barbara mitchell author jan hosking smith illustrator 4 6 4 6 out of 5 stars 2 ratings](#)

click a story about george eastman google books - Aug 08 2023

web but resourceful george wasn t one to put up with such inconvenience for long [click is the story of how george eastman developed a camera simple enough for anyone to use the kodak click a story about george eastman creative minds](#) - Jul 27 2022

web click a story about george eastman creative minds biography barbara mitchell books amazon ca

click a story about george eastman creative minds biography - Jan 01 2023

web click a story about george eastman creative minds biography mitchell barbara amazon sg books

george eastman kids britannica kids homework help - Feb 02 2023

web 1854 1932 the founder of modern photography george eastman made taking photographs a simple thing to do before eastman photography was not easy cameras were very large and heavy developing film was difficult the whole process was expensive thanks to eastman s work millions of ordinary people have been able to take photographs

click a story about george eastman creative minds - Feb 19 2022

web click a story about george eastman creative minds biography by barbara mitchell 1988 04 01 barbara mitchell books amazon ca

click a story about george eastman creative minds biography - Nov 30 2022

web this book is the story of george eastman the man who developed a camera simple enough for everyone to use an informative charming biography for young readers science books films

click a story about george eastman creative minds - May 05 2023

web click is the story of how george eastman developed a camera simple enough for anyone to use the kodak predecessor of today s pocket instamatics and forever revolutionized photography synopsis may belong to another edition of this title

click a story about george eastman creative minds - Apr 23 2022

web click a story about george eastman creative minds biography by barbara mitchell 1986 paperback isbn kostenloser versand für alle bücher mit versand und verkauf duch amazon

click a story about george eastman creative minds - Oct 30 2022

web click a story about george eastman creative minds biography click a story about george eastman creative minds biography barbara mitchell 21 ratings by goodreads isbn 10 0876144725 isbn 13 9780876144725 published by lernerclassroom 1986 new condition new soft cover save for later from

click a story about george eastman lerner publishing group - Jul 07 2023

web creative minds biographies meet some of the world s most creative minds written in story format these episodic biographies give clear straightforward accounts of historical figures lives each true story is accompanied by black and white illustrations view available downloads

click story george eastman abebooks - Jun 06 2023

web click a story about george eastman creative minds biography by mitchell barbara and a great selection of related books art and collectibles available now at abebooks com

[click by barbara mitchell overdrive ebooks audiobooks and](#) - Aug 28 2022

web jan 1 2011 click is the story of how george eastman developed a camera simple enough for anyone to use the kodak predecessor of today s pocket instamatics and forever revolutionized photography read more

click a story about george eastman creative minds biography - Apr 04 2023

web click a story about george eastman creative minds biography barbara mitchell jan hosking smith amazon com au books

[click a story about george eastman google books](#) - Sep 09 2023

web a story about george eastman barbara mitchell lernerclassroom aug 1 1987 juvenile nonfiction 56 pages carolrhoda s

best selling creative minds biographies series appeals to a wide

[click a story about george eastman creative minds](#) - Sep 28 2022

web click a story about george eastman creative minds biographies mitchell barbara smith jan hosking amazon de bücher

click a story about george eastman creative minds biography - Mar 23 2022

web click a story about george eastman creative minds biography barbara mitchell on amazon com free shipping on

qualifying offers [click a story about george eastman creative minds biography](#)

[schwarz rot gold abebooks](#) - Dec 07 2022

web schwarz rot gold german handbook german edition by paul webster and a great selection of related books art and collectibles available now at abebooks com

reading the schwarz in the schwarz rot gold black german - Feb 26 2022

web jan 1 2016 request pdf on jan 1 2016 nancy p nenno published reading the schwarz in the schwarz rot gold black

german studies in the 21st century find read and cite all the research you

schwarz rot gold german handbook paperback paul webster - Mar 30 2022

web aug 8 2023 find many great new used options and get the best deals for schwarz rot gold german handbook paperback

paul webster at the best online prices at ebay free delivery for many products

schwarz rot gold german handbook german edition - Apr 11 2023

web click to read more about schwarz rot gold german handbook german edition by paul webster librarything is a cataloging

and social networking site for booklovers all about schwarz rot gold german handbook german edition by paul webster

schwarz rot gold german handbook by webster paul - Mar 10 2023

web buy schwarz rot gold german handbook by webster paul online on amazon ae at best prices fast and free shipping free

returns cash on delivery available on eligible purchase

schwarz rot gold german handbook by paul webster 1987 - Oct 05 2022

web find many great new used options and get the best deals for schwarz rot gold german handbook by paul webster 1987

trade paperback at the best online prices at ebay free shipping for many products

schwarz rot gold the german handbook archive org - Aug 15 2023

web 128 p 26 cm an icon used to represent a menu that can be toggled by interacting with this icon

[schwarz rot gold revolution in deutschland einfach erklärt](#) - Aug 03 2022

web im deutschen kaiserreich 1871 bis 1918 und zur zeit der nationalsozialistischen herrschaft 1933 bis 1945 war schwarz rot gold verschmäht offizielle staatsflagge bzw staatsfarben wurde schwarz rot gold in der weimarer republik 1919 bis 1933 und nach 1945 in der bundesrepublik deutschland und in der ddr

[schwarz rot gold german handbook german edition](#) - May 12 2023

web abebooks com schwarz rot gold german handbook german edition 9780521278829 by webster paul and a great selection of similar new used and collectible books available now at great prices schwarz rot gold german handbook german edition

webster paul 9780521278829 abebooks

grammar various schwarz rot gold german handbook german - Apr 30 2022

web schwarz rot gold german handbook subject german language english market adolescent adult level beginners

publication date january 1996 authors p webster binding paperback pages 128 size mm n a weight gms 290 esb code 10504

isbn 9780521648608 inspection copy no delivery out of stock expected on

schwarzrotgoldgermanhandbook services caferati - Jan 28 2022

web a practical reference and revision guide for all learners in the first years of german this book explains the workings of the german language from scratch german is notorious for generating complicated grammatical explanations

[schwarz rot gold german handbook rent 9780521278829](#) - Nov 06 2022

web coupon rent schwarz rot gold german handbook 1st edition 9780521278829 and save up to 80 on textbook rentals and 90 on used textbooks get free 7 day instant etextbook access

schwarz rot gold german handbook betterworldbooks com - Jan 08 2023

web schwarz rot gold can be used in the two years leading up to gcse standard grade and other first examinations the course picks up from any introductory course extends and develops language skills and covers a wide variety of topics this book is ideal for students with little formal grammar knowledge and emphasises communication skills

paul webster librarything - Jul 02 2022

web this page covers the author of schwarz rot gold german handbook german edition for other authors named paul webster see the disambiguation page

schwarz rot gold german handbook by paul webster - Dec 27 2021

web may 18th 2020 only the tiny german principality of waldeck pyrmonnt upheld the tradition and continued to use the

german colours called schwarz rot gold in german english black red gold that had originated within a german held state as early as 1778 these signs had remained symbols of the paulskirche movement

grammar various schwarz rot gold german handbook german - Jun 01 2022

web schwarz rot gold german handbook grammar various german 9780521648608 the european bookshop

schwarz rot gold german handbook paperback 1 jan 1987 - Feb 09 2023

web buy schwarz rot gold german handbook by paul webster isbn 9780521278829 from amazon s book store everyday low prices and free delivery on eligible orders

schwarz rot gold german handbook by paul webster alibris - Sep 04 2022

web buy schwarz rot gold german handbook by paul webster online at alibris we have new and used copies available in 1 editions starting at 3 49 shop now

schwarz rot gold german handbook goodreads - Jul 14 2023

web a practical reference and revision guide for all learners in the first years of german this book explains the workings of the german language from scratch german is notorious for generating complicated grammatical explanations but here the author has achieved remarkably straightforward explanations of the essentials seen from the learner s

schwarz rot gold german handbook german edition - Jun 13 2023

web mar 27 1987 amazon com schwarz rot gold german handbook german edition 9780521278829 webster paul books

tandoori chicken recipe simply recipes - Jul 15 2023

web aug 25 2023 the best chicken for tandoori cooking the key to tandoori chicken is to use bone in thighs and legs yay our favorite cuts because they have enough fat to stay moist under the heat of the grill we don t recommend this dish with chicken breasts they ll dry out too easily

tandoori flame - May 13 2023

web tandoori flame is a restaurant chain based in singapore specializing in north indian cuisine flavors from all over india and global experience right here at the tandoori flame enjoy authentic indian flavors here discover more

what is tandoori spice cravings - Mar 11 2023

web nov 4 2022 what is tandoori tandoori pronounced ton do ree is a style of cooking that places skewers of marinated meat paneer or vegetables into a deep and incredibly hot clay oven this in turn creates pockets of deep char and smoky flavor on the accompanying protein what does tandoori taste like tandoori cooking is like the indian

tandoor wikipedia - Sep 17 2023

web tandoor modern ceramic wood fired tandoors clay tandoors in india a tandoor tæn'dʊər or tɑ:n'dʊər is a large urn shaped oven usually made of clay originating from punjab and sindh since antiquity tandoors have been used to bake

unleavened flatbreads such as roti and naan as well as to roast meat

[tandoori chicken wikipedia](#) - Aug 16 2023

web tandoori chicken is a south asian dish of chicken marinated in yogurt and spices and roasted in a tandoor a cylindrical clay oven the dish is now popular world wide the modern form of the dish was popularized by the moti mahal restaurant in [the best tandoori chicken in singapore tripadvisor](#) - Jan 09 2023

web best tandoori chicken in singapore singapore find 15 654 tripadvisor traveller reviews of the best tandoori chicken and search by price location and more

indian tandoori chicken food in singapore food advisor - Feb 10 2023

web explore indian tandoori chicken food in singapore with over 1075 places to eat khansama tandoori restaurant little india tandoori corner balestier jaggi s northern indian cuisine race course road

what is tandoori a beginner s guide spice and life - Jun 14 2023

web jan 8 2023 a tandoor is a clay oven that is used to cook food the word tandoor comes from the persian word tanur which means oven or furnace a tandoor usually uses charcoal or wood as fuel it can reach temperatures as high as 900 degrees fahrenheit which is about 480 degrees celsius

what is tandoori the spruce eats - Oct 18 2023

web sep 12 2022 most people seem to think that tandoori is a recipe like many of the world s great dishes this is actually a cooking method that has become synonymous with the food that is prepared put simply tandoori involves marinated meat being cooked over an intense fire in a tandoor a clay oven

oven baked tandoori chicken recipetin eats - Apr 12 2023

web may 1 2019 this is an easy baked tandoori chicken recipe for everyone who happens not to have a tandoor sitting in the middle of your kitchen made with accessible ingredients from scratch chicken is infused with flavour from a yogurt tandoori chicken marinade then baked until golden with little charred bits finger lickin good tandoori