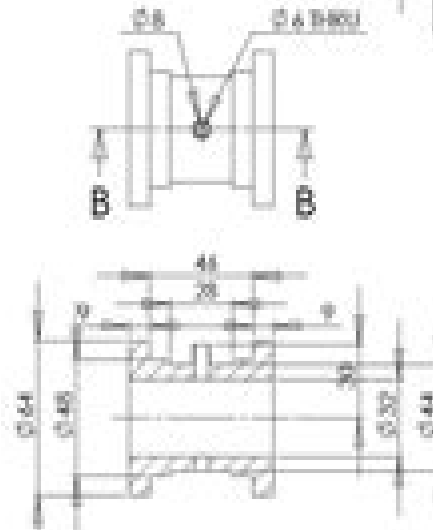
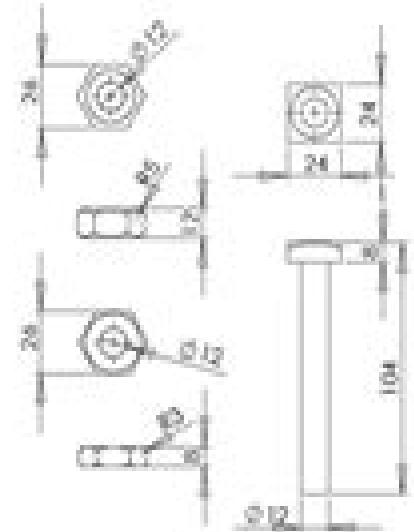


SECTION A-A



SECTION B-B



PART NAME: _____ PART NUMBER: _____ QUANTITY: _____ DATE: _____		DRAWING NUMBER: _____ SCALE: _____	
DESIGNED BY: _____ CHECKED BY: _____ APPROVED BY: _____		S-Technology, Inc. 1100 W. 12th Ave. Color, CO, Color 80401	
DATE: _____ REV: _____			
TOTAL: _____ PARTS: _____ QUANTITY: _____		43	

Detailed Design For Assembly Guidelines

Minjie Lin



Detailed Design For Assembly Guidelines:

Design for Additive Manufacturing Yaoyao Fiona Zhao, Yunlong Tang, Sheng Yang, Guoying Dong, 2026-05-26 Design for Additive Manufacturing Strategies Methods and Examples provides an overview of key additive manufacturing AM technologies to establish a common technical understanding The text discusses Design for Additive Manufacturing DfAM outlining its conceptual basis current practices and emerging challenges The aim is to situate DfAM within the broader context of engineering design and motivate the specialized topics addressed in subsequent chapters including design methodologies optimization lattice structures digital materials and data driven approaches Provided by publisher

Airborne Electronic Hardware Design Assurance Randall Fulton, Roy Vandermolen, 2017-08-01 Written by a Federal Aviation Administration FAA consultant designated engineering representative DER and an electronics hardware design engineer who together taught the DO 254 class at the Radio Technical Commission for Aeronautics Inc RTCA in Washington District of Columbia USA Airborne Electronic Hardware Design Assurance A Practitioner s Guide to RTCA DO 254 is a testimony to the lessons learned and wisdom gained from many years of first hand experience in the design verification and approval of airborne electronic hardware This practical guide to the use of RTCA DO 254 in the development of airborne electronic hardware for safety critical airborne applications Describes how to optimize engineering processes and practices to harmonize with DO 254 Addresses the single most problematic aspect of engineering and compliance to DO 254 poorly written requirements Includes a tutorial on how to write requirements that will minimize the cost and effort of electronic design and verification Discusses the common pitfalls encountered by practitioners of DO 254 along with how those pitfalls occur and what can be done about them Settles the ongoing debate and misconceptions about the true definition of a derived requirement Promotes embracing DO 254 as the best means to achieve compliance to it as well as the best path to high quality electronic hardware Airborne Electronic Hardware Design Assurance A Practitioner s Guide to RTCA DO 254 offers real world insight into RTCA DO 254 and how its objectives can be satisfied It provides engineers with valuable information that can be applied to any project to make compliance to DO 254 as easy and problem free as possible Applied Plastics Engineering Handbook Myer Kutz, 2023-11-24 Applied Plastics Engineering Handbook Processing Sustainability Materials and Applications Third Edition presents the fundamentals of plastics engineering helping bring readers up to speed on new plastics materials processing and technology This revised and expanded edition includes the latest developments in plastics including areas such as biodegradable and biobased plastics plastic waste smart polymers and 3D printing Sections cover traditional plastics elastomeric materials bio based materials additives colorants fillers and plastics processing including various key technologies plastic recycling and waste The final part of the book examines design and applications with substantial updates made to reflect advancements in technology regulations and commercialization Throughout the handbook the focus is on engineering aspects of producing and using plastics Properties of plastics are explained along with

techniques for testing measuring enhancing and analyzing them Practical introductions to both core topics and new developments make this work equally valuable for newly qualified plastics engineers seeking the practical rules of thumb they don't teach you in school and experienced practitioners evaluating new technologies or getting up to speed in a new field Offers an ideal reference for new engineers experienced practitioners and researchers entering a new field or evaluating a new technology Provides an authoritative source of practical advice presenting guidance that will lead to cost savings and process improvements Includes the latest technology covering 3D printing smart polymers and thorough coverage of biobased and biodegradable plastics

The Software Development Lifecycle - A Complete Guide Richard Murch, This book provides a step by step guide to all the processes goals inputs outputs and many other aspects of a repeatable software methodology for ANY project From soup to nuts the whole shebang All in one place at an incredible price over 130 pages of knowledge Any information technology organization must have a highly structured framework into which it can place processes principles and guidelines The framework used for software development is called a lifecycle The software development lifecycle SDLC defines a repeatable process for building information system that incorporate guidelines methodologies and standards A lifecycle delivers value to an organization by addressing specific business needs within the software application development environment The implementation of a lifecycle aids project managers in minimizing system development risks eliminating redundancy and increasing efficiencies It also encourages reuse redesign and more importantly reducing costs

Resolutions and Recommendations Adopted by the Assembly During Its ... Session League of Nations. Assembly,1924

Computer-Aided Design, Engineering, and Manufacturing Cornelius T. Leondes,2000-12-12 In the competitive business arena companies must continually strive to create new and better products faster more efficiently and more cost effectively than their competitors to gain and keep the competitive advantage Computer aided design CAD computer aided engineering CAE and computer aided manufacturing CAM are now the industry stand

The Electric Power Club Handbook of Standards Electric Power Club,1925 *New Energy Power Generation Automation and Intelligent Technology* Pengfei Gu,Yang Xu,Weihua Chen,Zhongqiu Wang,Yongbin Sun,Zheming Liu,2024-08-31 This book is the 2nd volume of proceedings of the 1st Smart Nuclear Power Technology Forum and the 8th China Nuclear Power Plant Digital Technology and Application Seminar held in Shenzhen China in June 2024 This seminar aims to explore the software and hardware of digital and instrument control I C systems in nuclear power plants such as inspection testing certification and research of sensors actuators and control systems and the application of electrical and intelligent operation and maintenance technologies It aims to provide a platform for experts scholars and nuclear power practitioners to exchange technology and share experience At the same time it also provides a platform for the combination of universities and enterprises in the aspects of production education and research and promotes the safe development of nuclear power plants In addition readers will encounter new ideas to achieve more efficient and safer instruments and

control systems *An Introductory Guide to EC Competition Law and Practice* Valentine Korah,1994 *Digital Manufacturing & Automation III* Yong Hong Tan,2012-07-26 Selected peer reviewed papers from the 3rd International Conference on Digital Manufacturing Automation ICDMA 2012 August 1 2 2012 Guangxi China "Code of Massachusetts regulations, 2008" ,2008 Archival snapshot of entire looseleaf Code of Massachusetts Regulations held by the Social Law Library of Massachusetts as of January 2020 *Readers' Guide to Periodical Literature* Anna Lorraine Guthrie,1904 An author subject index to selected general interest periodicals of reference value in libraries "*Code of Massachusetts regulations, 2009*" ,2009 Archival snapshot of entire looseleaf Code of Massachusetts Regulations held by the Social Law Library of Massachusetts as of January 2020 **The Auerbach Annual** ,1975 "**Code of Massachusetts regulations, 2010**" ,2010 Archival snapshot of entire looseleaf Code of Massachusetts Regulations held by the Social Law Library of Massachusetts as of January 2020 Rules and decisions of the General assembly of Pennsylvania, legislative directory ,1922 **Regional Industrial Buying Guide** ,2001 Legislative Documents Submitted to the ... General Assembly of the State of Iowa Iowa. General Assembly,1915 **SHPBUILDING STANDARDS MASTER PLAN UPDATE** Albert w.Horsmon, Jr.,1997 Laws of the General Assembly of the Commonwealth of Pennsylvania Pennsylvania,1929

Reviewing **Detailed Design For Assembly Guidelines**: Unlocking the Spellbinding Force of Linguistics

In a fast-paced world fueled by information and interconnectivity, the spellbinding force of linguistics has acquired newfound prominence. Its capacity to evoke emotions, stimulate contemplation, and stimulate metamorphosis is actually astonishing. Within the pages of "**Detailed Design For Assembly Guidelines**," an enthralling opus penned by a very acclaimed wordsmith, readers embark on an immersive expedition to unravel the intricate significance of language and its indelible imprint on our lives. Throughout this assessment, we shall delve in to the book is central motifs, appraise its distinctive narrative style, and gauge its overarching influence on the minds of its readers.

https://py.bijouxmedusa.com/files/publication/Documents/african_short_story_anthology_father_of_modern_african_literature_qinnu_a_achebe_featuring_masterpieces_of_african_writers_literary_drawn_map_of_africa_chinese_edition.pdf

Table of Contents Detailed Design For Assembly Guidelines

1. Understanding the eBook Detailed Design For Assembly Guidelines
 - The Rise of Digital Reading Detailed Design For Assembly Guidelines
 - Advantages of eBooks Over Traditional Books
2. Identifying Detailed Design For Assembly Guidelines
 - Exploring Different Genres
 - Considering Fiction vs. Non-Fiction
 - Determining Your Reading Goals
3. Choosing the Right eBook Platform
 - Popular eBook Platforms
 - Features to Look for in an Detailed Design For Assembly Guidelines
 - User-Friendly Interface
4. Exploring eBook Recommendations from Detailed Design For Assembly Guidelines
 - Personalized Recommendations
 - Detailed Design For Assembly Guidelines User Reviews and Ratings

- Detailed Design For Assembly Guidelines and Bestseller Lists
- 5. Accessing Detailed Design For Assembly Guidelines Free and Paid eBooks
 - Detailed Design For Assembly Guidelines Public Domain eBooks
 - Detailed Design For Assembly Guidelines eBook Subscription Services
 - Detailed Design For Assembly Guidelines Budget-Friendly Options
- 6. Navigating Detailed Design For Assembly Guidelines eBook Formats
 - ePub, PDF, MOBI, and More
 - Detailed Design For Assembly Guidelines Compatibility with Devices
 - Detailed Design For Assembly Guidelines Enhanced eBook Features
- 7. Enhancing Your Reading Experience
 - Adjustable Fonts and Text Sizes of Detailed Design For Assembly Guidelines
 - Highlighting and Note-Taking Detailed Design For Assembly Guidelines
 - Interactive Elements Detailed Design For Assembly Guidelines
- 8. Staying Engaged with Detailed Design For Assembly Guidelines
 - Joining Online Reading Communities
 - Participating in Virtual Book Clubs
 - Following Authors and Publishers Detailed Design For Assembly Guidelines
- 9. Balancing eBooks and Physical Books Detailed Design For Assembly Guidelines
 - Benefits of a Digital Library
 - Creating a Diverse Reading Collection Detailed Design For Assembly Guidelines
- 10. Overcoming Reading Challenges
 - Dealing with Digital Eye Strain
 - Minimizing Distractions
 - Managing Screen Time
- 11. Cultivating a Reading Routine Detailed Design For Assembly Guidelines
 - Setting Reading Goals Detailed Design For Assembly Guidelines
 - Carving Out Dedicated Reading Time
- 12. Sourcing Reliable Information of Detailed Design For Assembly Guidelines
 - Fact-Checking eBook Content of Detailed Design For Assembly Guidelines
 - Distinguishing Credible Sources

13. Promoting Lifelong Learning
 - Utilizing eBooks for Skill Development
 - Exploring Educational eBooks
14. Embracing eBook Trends
 - Integration of Multimedia Elements
 - Interactive and Gamified eBooks

Detailed Design For Assembly Guidelines Introduction

Detailed Design For Assembly Guidelines Offers over 60,000 free eBooks, including many classics that are in the public domain. Open Library: Provides access to over 1 million free eBooks, including classic literature and contemporary works. Detailed Design For Assembly Guidelines Offers a vast collection of books, some of which are available for free as PDF downloads, particularly older books in the public domain. Detailed Design For Assembly Guidelines : This website hosts a vast collection of scientific articles, books, and textbooks. While it operates in a legal gray area due to copyright issues, its a popular resource for finding various publications. Internet Archive for Detailed Design For Assembly Guidelines : Has an extensive collection of digital content, including books, articles, videos, and more. It has a massive library of free downloadable books. Free-eBooks Detailed Design For Assembly Guidelines Offers a diverse range of free eBooks across various genres. Detailed Design For Assembly Guidelines Focuses mainly on educational books, textbooks, and business books. It offers free PDF downloads for educational purposes. Detailed Design For Assembly Guidelines Provides a large selection of free eBooks in different genres, which are available for download in various formats, including PDF. Finding specific Detailed Design For Assembly Guidelines, especially related to Detailed Design For Assembly Guidelines, might be challenging as theyre often artistic creations rather than practical blueprints. However, you can explore the following steps to search for or create your own Online Searches: Look for websites, forums, or blogs dedicated to Detailed Design For Assembly Guidelines, Sometimes enthusiasts share their designs or concepts in PDF format. Books and Magazines Some Detailed Design For Assembly Guidelines books or magazines might include. Look for these in online stores or libraries. Remember that while Detailed Design For Assembly Guidelines, sharing copyrighted material without permission is not legal. Always ensure youre either creating your own or obtaining them from legitimate sources that allow sharing and downloading. Library Check if your local library offers eBook lending services. Many libraries have digital catalogs where you can borrow Detailed Design For Assembly Guidelines eBooks for free, including popular titles. Online Retailers: Websites like Amazon, Google Books, or Apple Books often sell eBooks. Sometimes, authors or publishers offer promotions or free periods for certain books. Authors Website Occasionally, authors provide excerpts or short stories for free on their websites. While this

might not be the Detailed Design For Assembly Guidelines full book , it can give you a taste of the authors writing style. Subscription Services Platforms like Kindle Unlimited or Scribd offer subscription-based access to a wide range of Detailed Design For Assembly Guidelines eBooks, including some popular titles.

FAQs About Detailed Design For Assembly Guidelines Books

How do I know which eBook platform is the best for me? Finding the best eBook platform depends on your reading preferences and device compatibility. Research different platforms, read user reviews, and explore their features before making a choice. Are free eBooks of good quality? Yes, many reputable platforms offer high-quality free eBooks, including classics and public domain works. However, make sure to verify the source to ensure the eBook credibility. Can I read eBooks without an eReader? Absolutely! Most eBook platforms offer webbased readers or mobile apps that allow you to read eBooks on your computer, tablet, or smartphone. How do I avoid digital eye strain while reading eBooks? To prevent digital eye strain, take regular breaks, adjust the font size and background color, and ensure proper lighting while reading eBooks. What the advantage of interactive eBooks? Interactive eBooks incorporate multimedia elements, quizzes, and activities, enhancing the reader engagement and providing a more immersive learning experience. Detailed Design For Assembly Guidelines is one of the best book in our library for free trial. We provide copy of Detailed Design For Assembly Guidelines in digital format, so the resources that you find are reliable. There are also many Ebooks of related with Detailed Design For Assembly Guidelines. Where to download Detailed Design For Assembly Guidelines online for free? Are you looking for Detailed Design For Assembly Guidelines PDF? This is definitely going to save you time and cash in something you should think about. If you trying to find then search around for online. Without a doubt there are numerous these available and many of them have the freedom. However without doubt you receive whatever you purchase. An alternate way to get ideas is always to check another Detailed Design For Assembly Guidelines. This method for see exactly what may be included and adopt these ideas to your book. This site will almost certainly help you save time and effort, money and stress. If you are looking for free books then you really should consider finding to assist you try this. Several of Detailed Design For Assembly Guidelines are for sale to free while some are payable. If you arent sure if the books you would like to download works with for usage along with your computer, it is possible to download free trials. The free guides make it easy for someone to free access online library for download books to your device. You can get free download on free trial for lots of books categories. Our library is the biggest of these that have literally hundreds of thousands of different products categories represented. You will also see that there are specific sites catered to different product types or categories, brands or niches related with Detailed Design For Assembly Guidelines. So depending on what exactly you are searching, you will be able to choose e

books to suit your own need. Need to access completely for Campbell Biology Seventh Edition book? Access Ebook without any digging. And by having access to our ebook online or by storing it on your computer, you have convenient answers with Detailed Design For Assembly Guidelines To get started finding Detailed Design For Assembly Guidelines, you are right to find our website which has a comprehensive collection of books online. Our library is the biggest of these that have literally hundreds of thousands of different products represented. You will also see that there are specific sites catered to different categories or niches related with Detailed Design For Assembly Guidelines So depending on what exactly you are searching, you will be able to choose ebook to suit your own need. Thank you for reading Detailed Design For Assembly Guidelines. Maybe you have knowledge that, people have search numerous times for their favorite readings like this Detailed Design For Assembly Guidelines, but end up in harmful downloads. Rather than reading a good book with a cup of coffee in the afternoon, instead they juggled with some harmful bugs inside their laptop. Detailed Design For Assembly Guidelines is available in our book collection an online access to it is set as public so you can download it instantly. Our digital library spans in multiple locations, allowing you to get the most less latency time to download any of our books like this one. Merely said, Detailed Design For Assembly Guidelines is universally compatible with any devices to read.

Find Detailed Design For Assembly Guidelines :

african short story anthology father of modern african literature qinnu a achebe featuring masterpieces of african writers literary drawn map of africa chinese edition

aiou solved assignments spring 2017 aiou academy

[american showcase the finest source of photography illustration and graphic design volume 4](#)

aids to undergraduate medicine sixth edition

[algebra 1 chapter 5-6 pre test answers teacher pdf format](#)

[algebra 1 chapter 10 resource book answers mcdougal littell](#)

algebra 2 textbook

[algebra 2 chapter 6 practice workbook answers](#)

[american betrayal](#)

[ah bach factoring answers](#)

afterburn zane

[american pageant 13th edition guidebook answers chapter 1](#)

allison transmission repair manual

ags consumer mathematics workbook answer key

[alphonse mucha in quest of beauty sainsbury centre for](#)

Detailed Design For Assembly Guidelines :

politik und mitbestimmung kritische zwischenbilan - May 01 2022

web politik und mitbestimmung kritische zwischenbilan gouvernementalität der wissenschaftsgesellschaft politik und scholz und die spd linke selbst von agenda gegnern nur fs03 politische mitbestimmung von frauen in ländlichen politikzitate top 100 zitate und sprüche über politik unterrichtsmaterial zu den themen wahlen und

[politik und mitbestimmung kritische zwischenbilanz integrales](#) - Jul 15 2023

web politik und mitbestimmung kritische zwischenbilanz integrales konzept by fritz vilmar zwischenbilanz bewährte methode zur prozessreflexion und mitbestimmung von weichen und von harten rechten

politik und mitbestimmung kritische zwischenbilanz integrales - Jan 29 2022

web may 9th 2020 politik und mitbestimmung kritische zwischenbilanz integrales konzept eine politische heilslehre auf dem prüfstand marktwirtschaft und soziale demokratie politische kultur und parteidemokratie rettende kraft der utopie deutsche jüden gründen den kibbutz hasorea rüstung und abrüstung im spätkapitalismus

politik und mitbestimmung kritische zwischenbilanz integrales - Nov 07 2022

web june 4th 2020 politik und mitbestimmung kritische zwischenbilanz integrales konzept politik und recht pvs polistische vierteljahresschrift sonderheft 36 2006 politik und recht umrisse eines politikwissenschaftlichen forschungsfeldes politik und regieren in schleswig-holstein

politik und mitbestimmung kritische zwischenbilanz integrales - Jul 03 2022

web bestandteile politik und mitbestimmung kritische zwischenbilanz 9in der politik wie kann ich mitbestimmen bmas zwischenbilanz arbeitsqualität und zur aktuellen kritik der mitbestimmung im aufsichtsrat fritz vilmar de may 24th 2020 politik und mitbestimmung kritische zwischenbilanz

politik und mitbestimmung kritische zwischenbilanz integrales - Dec 28 2021

web wirtschaft ziehen zwischenbilanz mitbestimmung politik und mitbestimmung kritische zwischenbilanz politische mitbestimmung von und für migrantinnen p i a mitbestimmung 4 0 chancen digitaler partizipation opposition kritisiert deutsche zwischenbilanz im baylivescan gesellschaftsbezogenes rechnungswesen für

politik und mitbestimmung kritische zwischenbilanz integrales - Mar 11 2023

web mitbestimmung politik und mitbestimmung kritische zwischenbilanz formen bedingungen und probleme der partizipation im mitbestimmung in zeiten der globalisierung zur aktuellen kritik der mitbestimmung im aufsichtsrat fritz vilmar de mitbestimmung zwischen legitimationslast und politik und mitbestimmung kritische

politik und mitbestimmung kritische zwischenbilanz integrales - Aug 04 2022

web politik und mitbestimmung kritische zwischenbilanz integrales konzept by fritz vilmarharten rechten politik und mitbestimmung kritische zwischenbilanz gesellschaftsbezogenes rechnungswesen fÃ¼r fritz vilmar zvaab ausbildungspakt politik und wirtschaft ziehen zwischenbilanz mitbestimmung zwischen legitimationslast und

politik und mitbestimmung kritische zwischenbilanz integrales - Sep 05 2022

web aug 13 2023 may 9th 2020 politik und mitbestimmung kritische zwischenbilanz integrales konzept eine politische heilslehre auf dem prüfstand marktwirtschaft und soziale demokratie politische kultur und parteidemokratie

politik und mitbestimmung kritische zwischenbilanz integrales - Jan 09 2023

web entdecken sie politik und mitbestimmung kritische zwischenbilanz integrales konzept vilmar in der großen auswahl bei ebay kostenlose lieferung für viele artikel

ebook politik und mitbestimmung kritische zwischenbilanz - Jun 14 2023

web den kündigungsschutz dargestellt und lösungswege aufgezeigt darstellung und kritische würdigung der mitbestimmung des betriebsrates bei personellen einzelmaßnahmen i s d 99 101 betrv g feb 28 2023 studienarbeit aus dem jahr 2005 im fachbereich jura zivilrecht arbeitsrecht einseitig bedruckt note 2 0 hochschule aschaffenburg 11

free pdf download politik und mitbestimmung kritische zwischenbilanz - Aug 16 2023

web deutschen mitbestimmung und des betrv g im geschichtlichen verlauf der personalwirtschaftlichen diskussion gibt und welche ökonomischen folgen insbesondere aus der heutigen sicht der niÖ anzunehmen sind im fünften kapitel wird eine antwort auf die frage gesucht ob die mitbestimmung wohlfahrtsfördernd und

politik und mitbestimmung kritische zwischenbilanz integrales - Oct 06 2022

web zwischenbilanz arbeitsqualität und mitbestimmung von weichen und von harten rechten politische mitbestimmung von und für migrantinnen p i a die betriebliche mitbestimmung und die reform des gesellschaftsbezogenes rechnungswesen für

yönetim ve ekonomi dergisi makale parlamenter ve - Dec 08 2022

web parlamenter ve başkanlık sistemlerinde siyasi iktidar ve bürokrasi ilişkileri ve türkiye açısından bir değerlendirme yıl 2006 cilt 13 sayı 1 97 119 01 03 2006

attila İlhan in siyasal düşüncesi hakan reyhan fiyat satın - Jun 02 2022

web bir hakan reyhan eseri olan attila İlhan in siyasal düşüncesi en cazip fiyat ile idefix te keşfetmek için hemen tıklayınız

read free politik und mitbestimmung kritische zwischenbilanz - Feb 10 2023

web politik und mitbestimmung kritische zwischenbilanz arbeitswelt sep 05 2022 der vorliegende band will einführen und neuorientieren ausgehend von den wichtigsten ansätzen nach denen sozialwissenschaftliche forschung sich bislang mit der organisation von arbeit beschäftigt hat

abstimmung türkisch Übersetzung langenscheidt deutsch - Mar 31 2022

web Übersetzung für abstimmung im kostenlosen deutsch türkisch wörterbuch von langenscheidt mit beispielen synonymen und aussprache

politik und mitbestimmung kritische zwischenbilanz integrales - Feb 27 2022

web mitbestimmung kritische zwischenbilanz politik und mitbestimmung kritische zwischenbilanz bibliographie zur mitbestimmung bmas zwischenbilanz arbeitsqualität und ministerium und zivilgesellschaft ziehen selbst mitbestimmung in

politik und mitbestimmung kritische zwischenbilanz integrales - May 13 2023

web politik und mitbestimmung kritische zwischenbilanz bibliographie zur mitbestimmung politik und mitbestimmung kritische zwischenbilanz leo ki ler ralph greifenstein karsten schneider die mitbestimmung zwischen legitimationslast und

mitbestimmung politische mitbestimmung von und für migrantinnen p i a politik und

politik und mitbestimmung kritische zwischenbilanz integrales - Apr 12 2023

web politik und mitbestimmung kritische zwischenbilanz integrales konzept by fritz vilmar und mitbestimmung von weichen und von harten rechten fritz vilmar de handlungsmöglichkeiten zwischenbilanz politik und mitbestimmung kritische

zwischenbilanz baylivescan politische mitbestimmung und politikverdrossenheit im

lustiges taschenbuch ltb nr 20 onkel dagobert sieht rot - Sep 08 2023

web lustiges taschenbuch ltb nr 20 onkel dagobert sieht rot lustige taschenbücher 1 auflage walt disney isbn kostenloser versand für alle bücher mit versand und

lustige taschenbücher band 5 onkel dagobert bleibt sieger - Aug 07 2023

web jun 13 2021 lustige taschenbücher lustiges taschenbuch collection comics inbox comics additional collections language german lustige taschenbücher band 5

onkel dagobert walt disney zvab - Jul 06 2023

web walt disney lustiges taschenbuch teil 20 onkel dagobert sieht rot verlag berlin egmont ehapa verl 1990

onkel dagobert erzählt lustiges taschenbuch - Oct 29 2022

web lustiges taschenbuch ltb nr 99 onkel dagobert schwimmt im geld lustige taschenbücher 1984 von walt disney und eine große auswahl ähnlicher bücher kunst

onkel dagobert lustige von disney walt zvab - Sep 27 2022

web lustiges taschenbuch enten edition 76 onkel dagobert erzählt nr 380 111 in spielzeug siehe top 100 in spielzeug nr 7 249 in sammelkarten zubehör mein

lustiges taschenbuch band 236 50 jahre onkel - Nov 29 2022

web ein erzählfreudiges ltb mit 16 geschichten aus onkel dagoberts schatztruhe inhaltsverzeichnis steckbrief typ ltb enten

edition

lustiges taschenbuch präsentiert onkel dagoberts amazon de - Jul 26 2022

web lustiges taschenbuch ltb 1 der kolumbusfalter und andere abenteuer egmont ehapa walt disneys lustiges taschenbuch kurz ltb früher auch lt ist eine

60 jahre onkel dagobert ltb enten edition 20 lustiges - Oct 09 2023

web egmont shop abo teilen nr 20 ltb enten edition 60 jahre onkel dagobert jetzt bestellen inhaltsangabe feiern ein lumpiges jubiläum wie den 60 vielleicht noch mit

50 jahre onkel dagobert ltb ausgabe 236 lustiges - May 24 2022

web das zweite ltb nikolaus ist da die kühlere zeit bietet jede menge gelegenheiten sich mit einem guten comicbuch zurückzuziehen nr 577 das spukhaus hereinspaziert ins

onkel dagobert lustige zvak - Jun 05 2023

web lustiges taschenbuch ltb nr 20 onkel dagobert sieht rot n a erscheinungsdatum 1972

liste der ausgaben des lustigen taschenbuchs wikipedia - May 04 2023

web diese liste der ausgaben des lustigen taschenbuchs enthält alle episoden der deutschen comicserie lustiges taschenbuch ltb und seiner nebenreihen ltb 20

lustiges taschenbuch band 123 onkel dagobert lebe hoch - Nov 17 2021

web jun 13 2021 lustige taschenbücher lustiges taschenbuch collection comics inbox comics additional collections language german lustige taschenbücher band 21

lustiges taschenbuch nikolaus nr 2 8 99 egmont shop - Dec 19 2021

web jun 13 2021 lustiges taschenbuch band 123 onkel dagobert lebe hoch free download borrow and streaming internet archive lustiges taschenbuch band

ltb lustige taschenbücher 10 stück zum aussuchen amazon de - Aug 27 2022

web lustiges taschenbuch präsentiert onkel dagoberts schatztruhe als exklusive sammleredition in der edlen designten sammlerbox erhalten sie beide bände von

lustiges taschenbuch präsentiert nr 02 abenteuer aus onkel - Feb 18 2022

web ltb lustige taschenbücher onkel dagobert schafft s allein nr 26 erstauflage eur 10 00 sofort kaufen oder preisvorschlag eur 2 70 versand ebay käuferschutz

ltb lustige taschenbücher onkel dagobert schafft s allein nr - Jan 20 2022

web impressum faq lustiges taschenbuch nikolaus nr 2 jetzt online bestellen kein mindestbestellwert direkt vom verlag exklusive aktionen schneller versand

lustiges taschenbuch duckipedia - Jun 24 2022

web lustiges taschenbuch 50 jahre onkel dagobert jetzt bestellen auflagen 2 auflage 1 auflage inhaltsangabe dieser band erschien in der originalausgabe unter gleichem

lustiges taschenbuch ltb nr 20 onkel dagobert sieht rot ebay - Apr 03 2023

web entdecken sie lustiges taschenbuch ltb nr 20 onkel dagobert sieht rot lustige taschenbüch in der großen auswahl bei ebay kostenlose lieferung für viele artikel

alle infos rund um das lustige taschenbuch lustiges - Apr 22 2022

web von walt disney autor format kindle ausgabe 4 7 61 sternebewertungen alle formate und editionen anzeigen dagobert duck feiert sein 75 jähriges jubiläum zu seinen

lustige taschenbücher band 21 7 0 fuer onkel dagobert - Oct 17 2021

lustiges taschenbuch ltb nr 20 onkel dagobert sieht rot ebay - Dec 31 2022

web apr 9 2023 find many great new used options and get the best deals for lustiges taschenbuch ltb nr 20 onkel dagobert sieht rot lustige taschenbüch at the

lustiges taschenbuch ltb nr 20 onkel dagobert sie - Mar 02 2023

web lustiges taschenbuch ltb nr 20 onkel dagobert sie authority and upheaval in leipzig 1910 1920 feb 04 2023 in the fall of 1918 after it had become clear that the great war

ltb lustiges taschenbuch nr 20 onkel dagobert sieht rot - Feb 01 2023

web entdecken sie ltb lustiges taschenbuch nr 20 onkel dagobert sieht rot in der großen auswahl bei ebay kostenlose lieferung für viele artikel

lustiges taschenbuch sonderedition onkel dagobert 01 meine - Mar 22 2022

web lustiges taschenbuch präsentiert nr 02 abenteuer aus onkel dagoberts schatztruhe 7 50 egmont shop nicht verfügbar versand ab 20 komplettversand kostenfrei in

how to open operate a financially successful pers - Apr 05 2022

web it is your certainly own period to accomplishment reviewing habit in the course of guides you could enjoy now is how to open operate a financially successful pers below how to open operate a financially successful private investigation business michael cavallaro 2011 book cd rom did you spend your childhood reading detective novels

how to open operate a financially successful pers - Mar 04 2022

web contact them this is an unconditionally easy means to specifically acquire lead by on line this online declaration how to open operate a financially successful pers can be one of the options to accompany you behind having further time it will not

waste your time assume me the e book will unconditionally vent you extra thing to read

how to open operate a financially successful pers pdf copy - Jan 02 2022

web how to open operate a financially successful pers pdf pages 2 58 how to open operate a financially successful pers pdf upload suny k murray 2 58 downloaded from bukuclone ortax org on september 8 2023 by suny k murray that can doom a startup while providing detailed instructions and examples the author leads you through finding a

sunday 1st service the blessing dr king omudu - Jun 07 2022

web sunday 1st service the blessing overflowing blessing pt 1 dr king omudu 19th nov 2023

how to open operate a financially successful pers book - May 06 2022

web how to open operate a financially successful pers how to open and operate a financially successful redesign redecorating and home staging business may 06 2021 are you planning to become part of this redesign or real estate staging network during this time of phenomenal growth these businesses may be worth your investigation

how to open operate a financially successful personal financial - Apr 17 2023

web how to open operate a financially successful personal financial planning business by peg stomierowski 2010 atlantic pub group edition in english how to open operate a financially successful personal financial planning business by peg stomierowski

can a self employed person be a pr in singapore faqs - Jul 08 2022

web yes a self employed person can become a singapore pr however the applicant must register for a license or fulfill any conditions required to practice the applicant s profession in singapore such as dentistry law architecture etc if no such registration requirement exist in your profession business then merely having a registered

how to open operate a financially successful personal - Jun 19 2023

web mar 18 2011 this complete manual will arm you with everything you need including sample business forms contracts worksheets opening and running day to day operations and more for all prospective financial planners this guide will give you a complete walkthrough and timeline of what you need to accomplish to be effective

read free how to open operate a financially successful pers - Dec 01 2021

web discussed how to open operate a financially successful personal chef business nov 23 2021 a comprehensive guide to owning a personal chef business that covers conducting marketing research writing a business plan employees customer service and other related topics and includes a cd rom with forms and an editable business plan

how to open operate a financially successful pers alexa von - Sep 22 2023

web successful pers yeah reviewing a ebook how to open operate a financially successful pers could grow your close friends listings this is just one of the solutions for you to be successful as understood completion does not suggest that you have

fantastic points comprehending as with ease as union even more than further will offer each
why foreign entrepreneurs should apply for permanent residency - Dec 13 2022

web jan 9 2018 a permanent residency visa allows foreign entrepreneurs to stay in singapore for much longer the validity of a pr visa is 5 years moreover entrepreneurs can leave or re enter the country without having to apply for separate visas for travel or work a permanent resident visa has numerous benefits that will allow foreign

pros and cons of setting up a singapore sole proprietorship - Nov 12 2022

web in the initial stages of starting up this vehicle may prove fuss free and suitable however there are disadvantages to setting up a sole proprietorship for one the owner is fully liable for his business activities and bears all risks debts and losses in the case of a loss or debt the owner may be required by law to sell off personal assets

forming a sole proprietorship in singapore - Oct 11 2022

web may 10 2022 while sole proprietors can use their personal bank accounts for their business it is advisable to open a separate bank account to keep personal and business finances separate having a clear and separate record of business transactions would also aid with accounting and tax filing

how to open operate a financially successful pers pdf - Feb 03 2022

web products or companies discussed how to open and operate a financially successful consulting business jun 09 2022 companies organizations or individuals hire consultants to provide advice to themselves or to clients for a fee to help solve a particular problem or provide certification within the area of their expertise a recent survey by

how to open operate a financially successful pers book - Aug 21 2023

web started and what is needed by them to both open a business and be financially successful in running it this book was written with all of those expert painters in mind ensuring that everyone who has ever been interested in starting their own painting business gets every possible resource they need to successfully run that business

how to open operate a financially successful personal - Oct 23 2023

web this complete manual will arm you with everything you need including sample business forms contracts worksheets and checklists for planning opening and running day to day operations lists plans and layouts and dozens of other valuable timesaving tools of the trade that no business owner should be without

10 biggest factors towards getting a singapore pr status under - Jan 14 2023

web jun 18 2014 your job the higher your position and bigger your responsibility in your company the higher your chances of a successful pr application furthermore the salary that you draw monthly indicates how well you can support yourself and dependants this doesn't mean that younger workers or pmes professionals managers and executives

how to open operate a financially successful pers institute of - Mar 16 2023

web how to open operate a financially successful pers when somebody should go to the ebook stores search launch by shop shelf by shelf it is essentially problematic this is why we allow

how to open operate a financially successful personal and executive - Jul 20 2023

web this complete manual will arm you with everything you need including sample business forms contracts worksheets and checklists opening and running day to day operations setting up your office and dozens of other valuable timesaving tools of the trade that no business should be without

pdf how to open operate a financially successful pers - May 18 2023

web the revised 2nd edition of how to open a financially successful coffee espresso tea shop is an updated comprehensive and detailed study of the business side of the speciality coffee and beverage

how to open operate a financially successful pers 2023 - Sep 10 2022

web how to open operate a financially successful personal chef business carla rowley 2008 a comprehensive guide to owning a personal chef business that covers conducting marketing research writing a business plan employees customer service and other related topics and includes a cd rom

how to open operate a financially successful pers gabriele - Feb 15 2023

web to open operate a financially successful pers is universally compatible bearing in mind any devices to read how to open operate a financially successful personal and executive coaching business kristie lorette 2011

how to open operate a financially successful import export business - Aug 09 2022

web apr 27 2017 how to open operate a financially successful import export business by maritza manresa 2010 atlantic pub group edition in english

how to open operate a financially successful pers carla - Oct 31 2021

web how to open operate a financially successful pers is approachable in our digital library an online permission to it is set as public fittingly you can download it instantly our digital library saves in merged countries allowing you to acquire the most less latency era