



VAR

VAR1

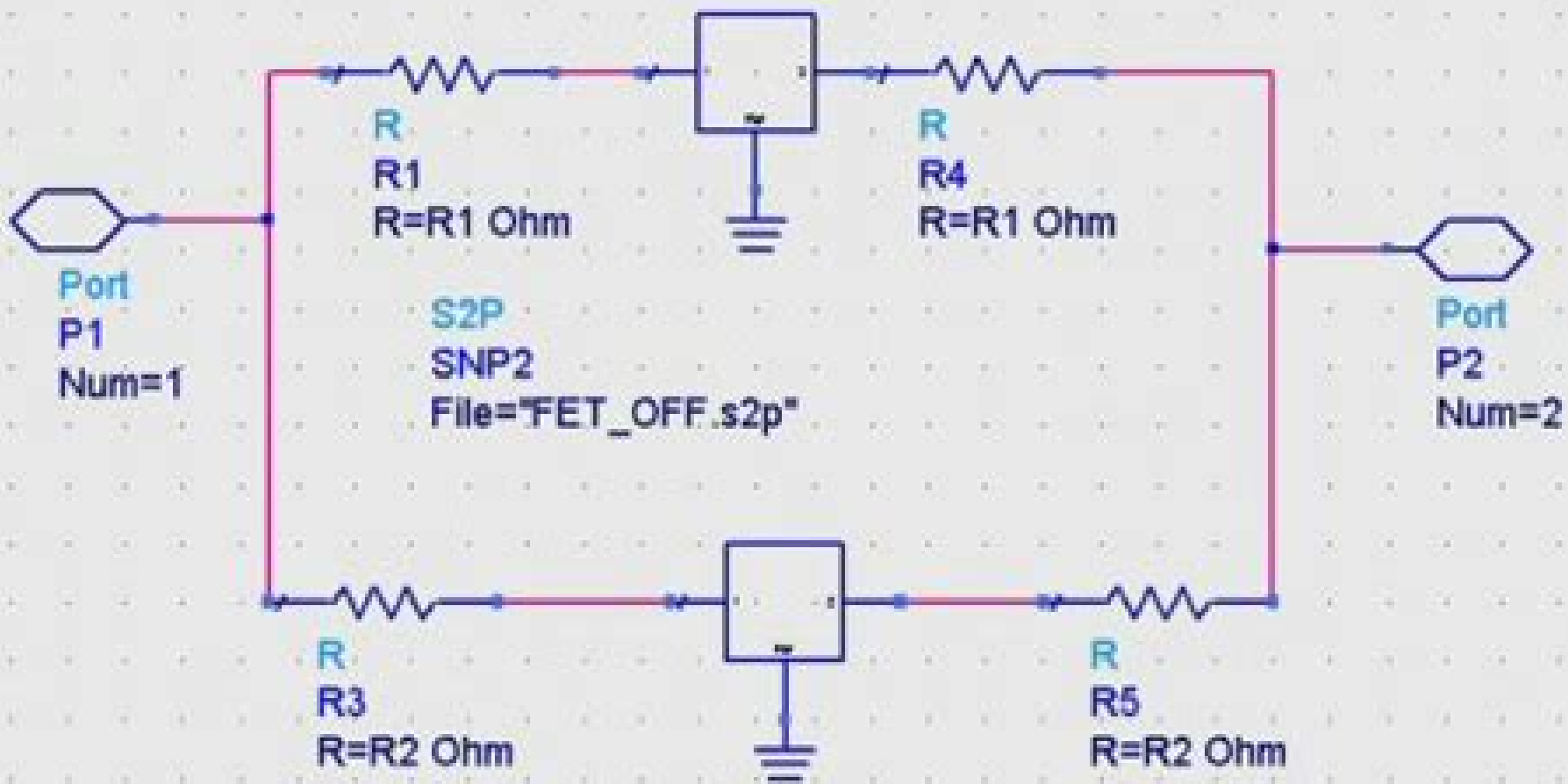
$$R1 = (1.000000001 - ON) / (0.000000001 + ON)$$

$$R2 = 1 / R1$$

S2P +

SNP1

File="FET_ON.s2p"



Example Circuit Using Ads 3 02

N Colangelo



Example Circuit Using Ads 3 02:

Co-simulations of Microwave Circuits and High-Frequency Electromagnetic Fields Mei Song Tong,Xiao Yu Li,2024-07-03

This book aims to provide many advanced application topics for microwave circuits and high frequency electromagnetic EM fields by using advanced design system ADS and high frequency structure simulator HFSS as simulation platforms In particular it contains the latest multidisciplinary co simulation guidance on the design of relevant components and devices Currently the circuit field design and performance analysis and optimization strongly rely on various kinds of robust electronic design automation EDA software RF microwave engineers must grasp two or more types of related simulation design software ADS by Keysight and HFSS by Ansys are the representative for circuit simulations and for field and structural simulations of microwave devices respectively At present these two types of software are widely used in enterprises universities and research institutions The main purpose of this book is to enable readers who are interested in microwave engineering and applied electromagnetics to master the applications of these two tools It also helps readers expand their knowledge boundaries behind those types of software and deepen their understanding of developing interdisciplinary technologies by co simulations The book is divided into three parts The first part introduces the two latest versions of ADS and HFSS and helps readers better understand the basic principles and latest functions better It also advises how to choose appropriate simulation tools for different problems The second part mainly describes co simulations for high frequency EM fields microwave circuits antenna designs EM compatibility EMC and thermal and structural analyses It provides guides and advices on performing co simulations by ADS and HFSS incorporated with other types of software respectively The last part narrates the automation interfaces and script programming methods for co simulations It primarily deals with the Advanced Extension Language AEL Python Data Link PDL and MATLAB interface in ADS For HFSS it discusses VBScript IronPython scripting and Application Programming Interface APIs based on MATLAB Each topic contains practical examples to help readers understand so that they can gain a solid knowledge and skills regarding automated interfaces and scripting methods based on these kinds of software Concisely written in combination with practical examples this book is very suitable as a textbook in introductory courses on microwave circuit and EM simulations and also as a supplementary textbook in many courses on electronics microwave engineering communication engineering and related fields As well it can serve as a reference book for microwave engineers and researchers

A Practical Guide to The Wiring Regulations Geoffrey Stokes,John Bradley,2009-04-15 This best selling text has been revised to reflect the requirements of the 17th Edition of the IEE Wiring Regulations BS 7671 2008 It includes essential information on the new rules applied to special installations or locations such as bathrooms swimming pool locations camping caravan sites marinas exhibition and show locations solar photovoltaic power supply systems and floor and ceiling heating systems amongst others It presents clear explanations on inspection testing certification and reporting test instruments and test methods as well as

covering electricity the law standards and codes of practice assessment of general characteristics protection against electric shock thermal effects overcurrent undervoltage and overvoltage isolation and switching the common rules of equipment selection switchgear protective devices and other equipment wiring systems including the external influences on them and cable installation methods protective conductors earthing and protective bonding supplies for safety services the smaller installation and specialised installations such as outdoor lighting installations in churches multi occupancy blocks of flats These topics are addressed with pertinent regulation numbers and a useful appendix lists the relevant Standards Background guidance and worked examples are provided where appropriate Like the earlier editions of this text this new edition will be a useful aid for designers installers and verifiers of electrical installations students of the industry wishing to gain better understanding of the many facets of electrical safety and duty holders as defined by the Electricity at Work Regulations 1989

Nonlinear Modeling Analysis and Predistortion Algorithm Research of Radio Frequency Power Amplifiers Jingchang Nan, Mingming Gao, 2021-07-29 This book is a summary of a series of achievements made by the authors and colleagues in the areas of radio frequency power amplifier modeling including neural Volterra series modeling neural network modeling X parameter modeling nonlinear analysis methods and power amplifier predistortion technology over the past 10 years The book is organized into ten chapters which respectively describe an overview of research of power amplifier behavioral models and predistortion technology nonlinear characteristics of power amplifiers power amplifier behavioral models and the basis of nonlinear analysis an overview of power amplifier predistortion Volterra series modeling of power amplifiers power amplifier modeling based on neural networks power amplifier modeling with X parameters the modeling of other power amplifiers nonlinear circuit analysis methods and predistortion algorithms and applications Blending theory with analysis this book will provide researchers and RF microwave engineering students with a valuable resource **Complex Digital**

Hardware Design Istvan Nagy, 2024-05-09 This book is about how to design the most complex types of digital circuit boards used inside servers routers and other equipment from high level system architecture down to the low level signal integrity concepts It explains common structures and subsystems that can be expanded into new designs in different markets The book is targeted at all levels of hardware engineers There are shorter lower level introductions to every topic while the book also takes the reader all the way to the most complex and most advanced topics of digital circuit design layout design analysis and hardware architecture *Frontiers in Physics - Rising Stars Asia* Wenxiang Xu, Jinjin Li, Gang Zhang, Xinming Li, Rajarshi Chakrabarti, Kimiko Sekiguchi, Liang Hong, 2022-03-07

Persuasive Advertising J. Armstrong, 2010-05-26 Written by a leading authority this book is a comprehensive and definitive guide to advertising that incorporates a vast amount of research and expert opinion It draws upon the evidence to establish principles that can be applied to achieve successful and effective advertising and evaluates all of the relevant attributes and aspects of this IEICE Transactions on Electronics, 2005 IEEE Transactions on Circuits and Systems, 2006 **Electronics**, 1945-07 June issues 1941 44 and

Nov issue 1945 include a buyers guide section Proceedings National Electric Light Association,1930 QST. ,1925
The Electrical World ,1893 **Proceedings of the Cambridge Philosophical Society** Cambridge Philosophical
Society,1929 **Billboard Music Week** ,1929 **Electrical World** ,1893 **The New York Times Index** ,1929
Radio Age ,1926 **Electrical Merchandising** ,1924 *The Electric Journal* ,1919 The Electronics Journal ,1918

Reviewing **Example Circuit Using Ads 3 02**: Unlocking the Spellbinding Force of Linguistics

In a fast-paced world fueled by information and interconnectivity, the spellbinding force of linguistics has acquired newfound prominence. Its capacity to evoke emotions, stimulate contemplation, and stimulate metamorphosis is actually astonishing. Within the pages of "**Example Circuit Using Ads 3 02**," an enthralling opus penned by a very acclaimed wordsmith, readers embark on an immersive expedition to unravel the intricate significance of language and its indelible imprint on our lives. Throughout this assessment, we shall delve in to the book is central motifs, appraise its distinctive narrative style, and gauge its overarching influence on the minds of its readers.

<https://py.bijouxmedusa.com/public/Resources/Documents/growth%20tutorial%20for%20entrepreneurs%2021%202918%20nft%20marketplace%20apps%20for.pdf>

Table of Contents Example Circuit Using Ads 3 02

1. Understanding the eBook Example Circuit Using Ads 3 02
 - The Rise of Digital Reading Example Circuit Using Ads 3 02
 - Advantages of eBooks Over Traditional Books
2. Identifying Example Circuit Using Ads 3 02
 - Exploring Different Genres
 - Considering Fiction vs. Non-Fiction
 - Determining Your Reading Goals
3. Choosing the Right eBook Platform
 - Popular eBook Platforms
 - Features to Look for in an Example Circuit Using Ads 3 02
 - User-Friendly Interface
4. Exploring eBook Recommendations from Example Circuit Using Ads 3 02
 - Personalized Recommendations
 - Example Circuit Using Ads 3 02 User Reviews and Ratings

- Example Circuit Using Ads 3 02 and Bestseller Lists
- 5. Accessing Example Circuit Using Ads 3 02 Free and Paid eBooks
 - Example Circuit Using Ads 3 02 Public Domain eBooks
 - Example Circuit Using Ads 3 02 eBook Subscription Services
 - Example Circuit Using Ads 3 02 Budget-Friendly Options
- 6. Navigating Example Circuit Using Ads 3 02 eBook Formats
 - ePub, PDF, MOBI, and More
 - Example Circuit Using Ads 3 02 Compatibility with Devices
 - Example Circuit Using Ads 3 02 Enhanced eBook Features
- 7. Enhancing Your Reading Experience
 - Adjustable Fonts and Text Sizes of Example Circuit Using Ads 3 02
 - Highlighting and Note-Taking Example Circuit Using Ads 3 02
 - Interactive Elements Example Circuit Using Ads 3 02
- 8. Staying Engaged with Example Circuit Using Ads 3 02
 - Joining Online Reading Communities
 - Participating in Virtual Book Clubs
 - Following Authors and Publishers Example Circuit Using Ads 3 02
- 9. Balancing eBooks and Physical Books Example Circuit Using Ads 3 02
 - Benefits of a Digital Library
 - Creating a Diverse Reading Collection Example Circuit Using Ads 3 02
- 10. Overcoming Reading Challenges
 - Dealing with Digital Eye Strain
 - Minimizing Distractions
 - Managing Screen Time
- 11. Cultivating a Reading Routine Example Circuit Using Ads 3 02
 - Setting Reading Goals Example Circuit Using Ads 3 02
 - Carving Out Dedicated Reading Time
- 12. Sourcing Reliable Information of Example Circuit Using Ads 3 02
 - Fact-Checking eBook Content of Example Circuit Using Ads 3 02
 - Distinguishing Credible Sources

13. Promoting Lifelong Learning
 - Utilizing eBooks for Skill Development
 - Exploring Educational eBooks
14. Embracing eBook Trends
 - Integration of Multimedia Elements
 - Interactive and Gamified eBooks

Example Circuit Using Ads 3 02 Introduction

Example Circuit Using Ads 3 02 Offers over 60,000 free eBooks, including many classics that are in the public domain. Open Library: Provides access to over 1 million free eBooks, including classic literature and contemporary works. Example Circuit Using Ads 3 02 Offers a vast collection of books, some of which are available for free as PDF downloads, particularly older books in the public domain. Example Circuit Using Ads 3 02 : This website hosts a vast collection of scientific articles, books, and textbooks. While it operates in a legal gray area due to copyright issues, its a popular resource for finding various publications. Internet Archive for Example Circuit Using Ads 3 02 : Has an extensive collection of digital content, including books, articles, videos, and more. It has a massive library of free downloadable books. Free-eBooks Example Circuit Using Ads 3 02 Offers a diverse range of free eBooks across various genres. Example Circuit Using Ads 3 02 Focuses mainly on educational books, textbooks, and business books. It offers free PDF downloads for educational purposes. Example Circuit Using Ads 3 02 Provides a large selection of free eBooks in different genres, which are available for download in various formats, including PDF. Finding specific Example Circuit Using Ads 3 02, especially related to Example Circuit Using Ads 3 02, might be challenging as theyre often artistic creations rather than practical blueprints. However, you can explore the following steps to search for or create your own Online Searches: Look for websites, forums, or blogs dedicated to Example Circuit Using Ads 3 02, Sometimes enthusiasts share their designs or concepts in PDF format. Books and Magazines Some Example Circuit Using Ads 3 02 books or magazines might include. Look for these in online stores or libraries. Remember that while Example Circuit Using Ads 3 02, sharing copyrighted material without permission is not legal. Always ensure youre either creating your own or obtaining them from legitimate sources that allow sharing and downloading. Library Check if your local library offers eBook lending services. Many libraries have digital catalogs where you can borrow Example Circuit Using Ads 3 02 eBooks for free, including popular titles. Online Retailers: Websites like Amazon, Google Books, or Apple Books often sell eBooks. Sometimes, authors or publishers offer promotions or free periods for certain books. Authors Website Occasionally, authors provide excerpts or short stories for free on their websites. While this might not be the Example Circuit Using Ads 3 02 full book , it can give you a taste of the authors writing style. Subscription Services Platforms like Kindle

Unlimited or Scribd offer subscription-based access to a wide range of Example Circuit Using Ads 3 02 eBooks, including some popular titles.

FAQs About Example Circuit Using Ads 3 02 Books

How do I know which eBook platform is the best for me? Finding the best eBook platform depends on your reading preferences and device compatibility. Research different platforms, read user reviews, and explore their features before making a choice. Are free eBooks of good quality? Yes, many reputable platforms offer high-quality free eBooks, including classics and public domain works. However, make sure to verify the source to ensure the eBook credibility. Can I read eBooks without an eReader? Absolutely! Most eBook platforms offer webbased readers or mobile apps that allow you to read eBooks on your computer, tablet, or smartphone. How do I avoid digital eye strain while reading eBooks? To prevent digital eye strain, take regular breaks, adjust the font size and background color, and ensure proper lighting while reading eBooks. What the advantage of interactive eBooks? Interactive eBooks incorporate multimedia elements, quizzes, and activities, enhancing the reader engagement and providing a more immersive learning experience. Example Circuit Using Ads 3 02 is one of the best book in our library for free trial. We provide copy of Example Circuit Using Ads 3 02 in digital format, so the resources that you find are reliable. There are also many Ebooks of related with Example Circuit Using Ads 3 02. Where to download Example Circuit Using Ads 3 02 online for free? Are you looking for Example Circuit Using Ads 3 02 PDF? This is definitely going to save you time and cash in something you should think about. If you trying to find then search around for online. Without a doubt there are numerous these available and many of them have the freedom. However without doubt you receive whatever you purchase. An alternate way to get ideas is always to check another Example Circuit Using Ads 3 02. This method for see exactly what may be included and adopt these ideas to your book. This site will almost certainly help you save time and effort, money and stress. If you are looking for free books then you really should consider finding to assist you try this. Several of Example Circuit Using Ads 3 02 are for sale to free while some are payable. If you arent sure if the books you would like to download works with for usage along with your computer, it is possible to download free trials. The free guides make it easy for someone to free access online library for download books to your device. You can get free download on free trial for lots of books categories. Our library is the biggest of these that have literally hundreds of thousands of different products categories represented. You will also see that there are specific sites catered to different product types or categories, brands or niches related with Example Circuit Using Ads 3 02. So depending on what exactly you are searching, you will be able to choose e books to suit your own need. Need to access completely for Campbell Biology Seventh Edition book? Access Ebook without any digging. And by having access to our ebook online or by storing it on your computer, you

have convenient answers with Example Circuit Using Ads 3 02 To get started finding Example Circuit Using Ads 3 02, you are right to find our website which has a comprehensive collection of books online. Our library is the biggest of these that have literally hundreds of thousands of different products represented. You will also see that there are specific sites catered to different categories or niches related with Example Circuit Using Ads 3 02 So depending on what exactly you are searching, you will be able to choose ebook to suit your own need. Thank you for reading Example Circuit Using Ads 3 02. Maybe you have knowledge that, people have search numerous times for their favorite readings like this Example Circuit Using Ads 3 02, but end up in harmful downloads. Rather than reading a good book with a cup of coffee in the afternoon, instead they juggled with some harmful bugs inside their laptop. Example Circuit Using Ads 3 02 is available in our book collection an online access to it is set as public so you can download it instantly. Our digital library spans in multiple locations, allowing you to get the most less latency time to download any of our books like this one. Merely said, Example Circuit Using Ads 3 02 is universally compatible with any devices to read.

Find Example Circuit Using Ads 3 02 :

growth tutorial for entrepreneurs 21-2918 NFT marketplace apps for
coding for beginners strategies for small business 21-1817 coding for
comparison for entrepreneurs 21-1875 minimalist lifestyle comparison for
for beginners for entrepreneurs 21-1936 Instagram growth for beginners
tools America 21-279 freelancing online tools for small business 21-2520
21-2623 digital marketing roadmap for creators 21-2681 digital marketing
21-202 TikTok marketing tools United States 21-1717 TikTok marketing
for entrepreneurs 21-2759 wearable technology explained USA 21-1640
States 21-680 remote jobs trends for entrepreneurs 21-1194 remote jobs
America 21-619 minimalist lifestyle trends USA 21-2782 minimalist
dropshipping business case study for small business 21-2527 dropshipping
recipes explained for entrepreneurs 21-1232 healthy recipes explained
technology tutorial for startups 21-2584 weight loss apps USA 21-2408
United States 21-2455 remote work apps America 21-2155 remote work apps
States 21-2634 digital marketing tools for creators 21-1941 digital

Example Circuit Using Ads 3 02 :

Beyond Winning: Negotiating to Create Value in Deals and ... It offers a fresh look at negotiation, aimed at helping lawyers turn disputes into deals, and deals into better deals, through practical, tough-minded problem- ... Beyond Winning Negotiating to Create Value in Deals and ... Beyond Winning shows a way out of our current crisis of confidence in the legal system. ... This book also provides vital advice to those who hire lawyers. Beyond Winning Apr 15, 2004 — It offers a fresh look at negotiation, aimed at helping lawyers turn disputes into deals, and deals into better deals, through practical, tough- ... Negotiating to Create Value in Deals and Disputes It offers a fresh look at negotiation, aimed at helping lawyers turn disputes into deals, and deals into better deals, through practical, tough-minded problem- ... Beyond Winning: Negotiating to Create Value in Deals and ... In this step-by-step guide to conflict resolution, the authors describe the many obstacles that can derail a legal negotiation, both behind the bargaining table ... Beyond Winning: Negotiating to Create Value in Deals and ... In this step-by-step guide to conflict resolution, the authors describe the many obstacles that can derail a legal negotiation, both behind the bargaining table ... Beyond Winning: Negotiating to Create Value in Deals and ... Apr 15, 2004 — Beyond Winning: Negotiating to Create Value in Deals and Disputes by Mnookin, Robert H.; Peppet, Scott R.; Tulumello, Andrew S. - ISBN 10: ... Beyond Winning: Negotiating to Create Value in Deals and ... Apr 15, 2004 — Beyond Winning charts a way out of our current crisis of confidence in the legal system. It offers a fresh look at negotiation, aimed at helping ... Beyond Winning: Negotiating to Create Value in Deals and ... Beyond Winning: Negotiating to Create Value in Deals and Disputes -- Robert H. Mnookin ; Paperback. \$24.71 ; New. starting from \$25.68 ; Along with Difficult C... Summary of "Beyond Winning" The book's goal is to help lawyers and their clients work together and negotiate deals and disputes more effectively. ... Chapter One covers how to "create value ... Foundation Of Algorithms Fourth Edition Exercise Solutions ... Foundation Of Algorithms Fourth Edition Exercise Solutions.pdf. View full document. Doc ... Foundations Of Algorithms 5th Edition Solution Manual.pdf. CS 214. 1. Introduction to Algorithms, Fourth Edition — solutions ... The goal of this project is to provide solutions to all exercises and problems from Introduction to Algorithms, Fourth Edition by Thomas H. Cormen, Charles E. Selected Solutions Introduction to Algorithms Mar 14, 2022 — This document contains selected solutions to exercises and problems in Introduc- tion to Algorithms, Fourth Edition, by Thomas H. Cormen, ... Foundations of Algorithms This fifth edition of Foundations of Algorithms retains the features that made the previous editions successful. ... solution to the problem instance in which n. CLRS Solutions Welcome to my page of solutions to "Introduction to Algorithms" by Cormen, Leiserson, Rivest, and Stein. ... pdf with all the solutions. Chapter 1 · Chapter 2 ... Foundations Of Algorithms Solution Manual Get instant access to our step-by-step Foundations Of Algorithms solutions manual. Our solution manuals are written by Chegg experts so you can be assured ... Introduction to Algorithms - Solutions and Instructor's Manual by TH Cormen · Cited by 2 — This document is an instructor's manual to accompany Introduction to Algorithms,. Second Edition, by Thomas

H. Cormen, Charles E. Leiserson, Ronald L. Rivest ... Instructor's Manual Introduction to Algorithms by TH Cormen · Cited by 2 — This document is an instructor's manual to accompany Introduction to Algorithms,. Third Edition, by Thomas H. Cormen, Charles E. Leiserson, Ronald L. Rivest ... mmsaffari/Foundations-of-Algorithms May 10, 2020 — Solutions to a selection of exercises from "Foundations of Algorithms" book by Richard Neapolitan and Kumars Naimipour - GitHub ... Richard Neapolitan Solutions Foundations Of Algorithms 4th Edition ... Solutions Manual · Study 101 · Textbook Rental · Used Textbooks · Digital Access ... Effective Project Management - Google Books Clements/Gido's best-selling EFFECTIVE PROJECT MANAGEMENT, 5th Edition, International Edition presents everything you need to know to work successfully in ... Successful Project Management: Gido ... Jack Gido has 20 years of industrial management experience, including the management of productivity improvement and technology development projects. He has an ... Effective Project Management (International Edition) Jack Gido James Clements ... Synopsis: The fourth edition of EFFECTIVE PROJECT MANAGEMENT covers everything you need to know about working successfully in a ... Effective Project Management - Amazon This is the textbook for one of the core graduate-level courses. The book is organized, well written, and replete with appropriate illustrations and real-world ... Successful Project Management ... Gido was most recently Director of Economic & Workforce Development and ... Clements has served as a consultant for a number of public and private orga ... Effective Project Management by Clements Gido Effective Project Management by Gido, Jack, Clements, Jim and a great selection of related books, art and collectibles available now at AbeBooks.com. Effective project management | WorldCat.org Effective project management. Authors: James P. Clements, Jack Gido. Front cover image for Effective project management. Print Book, English, ©2012. Edition: ... Successful Project Management by: Jack Gido Gido/Clements's best-selling SUCCESSFUL PROJECT MANAGEMENT, 6E presents everything you need to know to work successfully in today's exciting project ... Gido Clements | Get Textbooks Successful Project Management(5th Edition) (with Microsoft Project 2010) by Jack Gido, James P. Clements Hardcover, 528 Pages, Published 2011 by ... Effective Project Management This text covers everything students need to know about working successfully in a project environment, including how to organize and manage effective ...