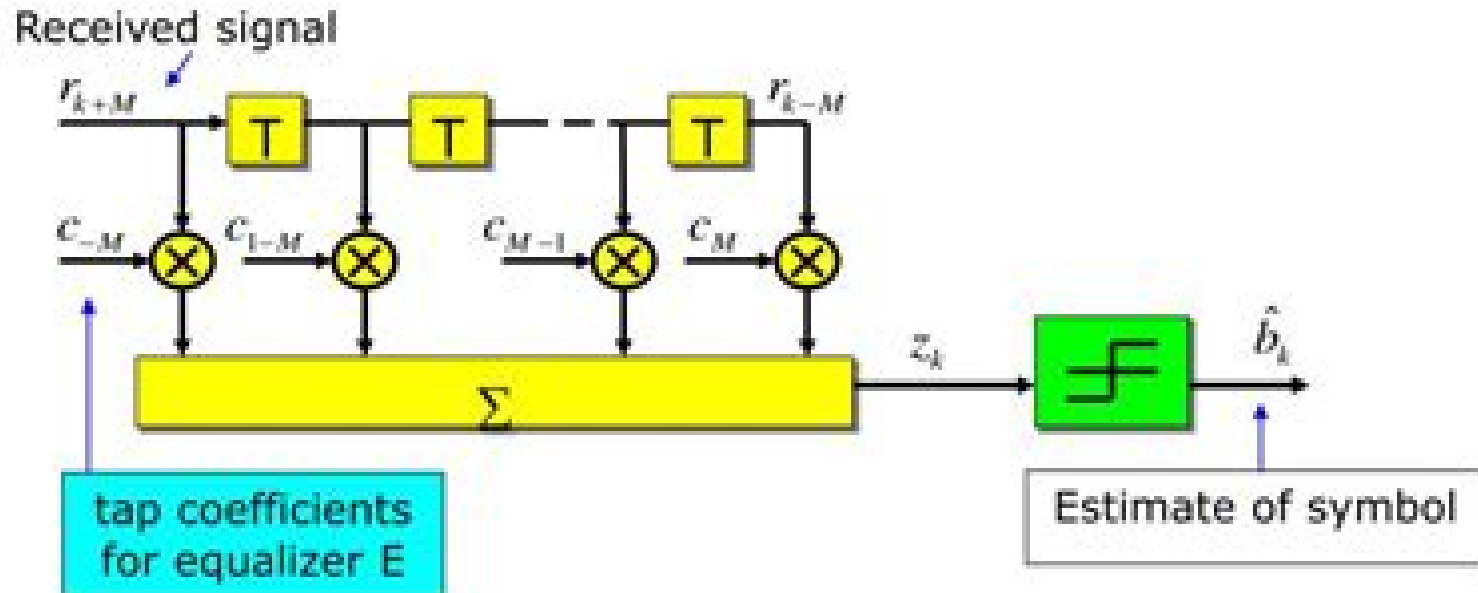


Zero-Forcing Equalization

- Zero ISI at the receiver output
- $B(f)H(f)E(f)=Z(f)$
- $Z(f)$: Nyquist spectrum e.g. raised cosine



Matlab Code Zero Forcing Algorithm For Ofdm

Joacim Rocklöv



Matlab Code Zero Forcing Algorithm For Ofdm:

Embark on a transformative journey with is captivating work, **Matlab Code Zero Forcing Algorithm For Ofdm** . This enlightening ebook, available for download in a convenient PDF format PDF Size: , invites you to explore a world of boundless knowledge. Unleash your intellectual curiosity and discover the power of words as you dive into this riveting creation. Download now and elevate your reading experience to new heights .

<https://py.bijouxmedusa.com/public/browse/HomePages/Oca%20Oracle%20Database%2012c%20Administrator%20Certified%20Associate%20Study%20Exams%201z%200061%20And%201z%20006.pdf>

Table of Contents Matlab Code Zero Forcing Algorithm For Ofdm

1. Understanding the eBook Matlab Code Zero Forcing Algorithm For Ofdm
 - The Rise of Digital Reading Matlab Code Zero Forcing Algorithm For Ofdm
 - Advantages of eBooks Over Traditional Books
2. Identifying Matlab Code Zero Forcing Algorithm For Ofdm
 - Exploring Different Genres
 - Considering Fiction vs. Non-Fiction
 - Determining Your Reading Goals
3. Choosing the Right eBook Platform
 - Popular eBook Platforms
 - Features to Look for in an Matlab Code Zero Forcing Algorithm For Ofdm
 - User-Friendly Interface
4. Exploring eBook Recommendations from Matlab Code Zero Forcing Algorithm For Ofdm
 - Personalized Recommendations
 - Matlab Code Zero Forcing Algorithm For Ofdm User Reviews and Ratings
 - Matlab Code Zero Forcing Algorithm For Ofdm and Bestseller Lists
5. Accessing Matlab Code Zero Forcing Algorithm For Ofdm Free and Paid eBooks
 - Matlab Code Zero Forcing Algorithm For Ofdm Public Domain eBooks
 - Matlab Code Zero Forcing Algorithm For Ofdm eBook Subscription Services

- Matlab Code Zero Forcing Algorithm For Ofdm Budget-Friendly Options
- 6. Navigating Matlab Code Zero Forcing Algorithm For Ofdm eBook Formats
 - ePub, PDF, MOBI, and More
 - Matlab Code Zero Forcing Algorithm For Ofdm Compatibility with Devices
 - Matlab Code Zero Forcing Algorithm For Ofdm Enhanced eBook Features
- 7. Enhancing Your Reading Experience
 - Adjustable Fonts and Text Sizes of Matlab Code Zero Forcing Algorithm For Ofdm
 - Highlighting and Note-Taking Matlab Code Zero Forcing Algorithm For Ofdm
 - Interactive Elements Matlab Code Zero Forcing Algorithm For Ofdm
- 8. Staying Engaged with Matlab Code Zero Forcing Algorithm For Ofdm
 - Joining Online Reading Communities
 - Participating in Virtual Book Clubs
 - Following Authors and Publishers Matlab Code Zero Forcing Algorithm For Ofdm
- 9. Balancing eBooks and Physical Books Matlab Code Zero Forcing Algorithm For Ofdm
 - Benefits of a Digital Library
 - Creating a Diverse Reading Collection Matlab Code Zero Forcing Algorithm For Ofdm
- 10. Overcoming Reading Challenges
 - Dealing with Digital Eye Strain
 - Minimizing Distractions
 - Managing Screen Time
- 11. Cultivating a Reading Routine Matlab Code Zero Forcing Algorithm For Ofdm
 - Setting Reading Goals Matlab Code Zero Forcing Algorithm For Ofdm
 - Carving Out Dedicated Reading Time
- 12. Sourcing Reliable Information of Matlab Code Zero Forcing Algorithm For Ofdm
 - Fact-Checking eBook Content of Matlab Code Zero Forcing Algorithm For Ofdm
 - Distinguishing Credible Sources
- 13. Promoting Lifelong Learning
 - Utilizing eBooks for Skill Development
 - Exploring Educational eBooks
- 14. Embracing eBook Trends

- Integration of Multimedia Elements
- Interactive and Gamified eBooks

Matlab Code Zero Forcing Algorithm For Ofdm Introduction

In this digital age, the convenience of accessing information at our fingertips has become a necessity. Whether its research papers, eBooks, or user manuals, PDF files have become the preferred format for sharing and reading documents. However, the cost associated with purchasing PDF files can sometimes be a barrier for many individuals and organizations. Thankfully, there are numerous websites and platforms that allow users to download free PDF files legally. In this article, we will explore some of the best platforms to download free PDFs. One of the most popular platforms to download free PDF files is Project Gutenberg. This online library offers over 60,000 free eBooks that are in the public domain. From classic literature to historical documents, Project Gutenberg provides a wide range of PDF files that can be downloaded and enjoyed on various devices. The website is user-friendly and allows users to search for specific titles or browse through different categories. Another reliable platform for downloading Matlab Code Zero Forcing Algorithm For Ofdm free PDF files is Open Library. With its vast collection of over 1 million eBooks, Open Library has something for every reader. The website offers a seamless experience by providing options to borrow or download PDF files. Users simply need to create a free account to access this treasure trove of knowledge. Open Library also allows users to contribute by uploading and sharing their own PDF files, making it a collaborative platform for book enthusiasts. For those interested in academic resources, there are websites dedicated to providing free PDFs of research papers and scientific articles. One such website is Academia.edu, which allows researchers and scholars to share their work with a global audience. Users can download PDF files of research papers, theses, and dissertations covering a wide range of subjects. Academia.edu also provides a platform for discussions and networking within the academic community. When it comes to downloading Matlab Code Zero Forcing Algorithm For Ofdm free PDF files of magazines, brochures, and catalogs, Issuu is a popular choice. This digital publishing platform hosts a vast collection of publications from around the world. Users can search for specific titles or explore various categories and genres. Issuu offers a seamless reading experience with its user-friendly interface and allows users to download PDF files for offline reading. Apart from dedicated platforms, search engines also play a crucial role in finding free PDF files. Google, for instance, has an advanced search feature that allows users to filter results by file type. By specifying the file type as "PDF," users can find websites that offer free PDF downloads on a specific topic. While downloading Matlab Code Zero Forcing Algorithm For Ofdm free PDF files is convenient, its important to note that copyright laws must be respected. Always ensure that the PDF files you download are legally available for free. Many authors and publishers voluntarily provide free PDF versions of their work, but its essential to be cautious and verify the authenticity of the source before downloading Matlab

Code Zero Forcing Algorithm For Ofdm. In conclusion, the internet offers numerous platforms and websites that allow users to download free PDF files legally. Whether its classic literature, research papers, or magazines, there is something for everyone. The platforms mentioned in this article, such as Project Gutenberg, Open Library, Academia.edu, and Issuu, provide access to a vast collection of PDF files. However, users should always be cautious and verify the legality of the source before downloading Matlab Code Zero Forcing Algorithm For Ofdm any PDF files. With these platforms, the world of PDF downloads is just a click away.

FAQs About Matlab Code Zero Forcing Algorithm For Ofdm Books

What is a Matlab Code Zero Forcing Algorithm For Ofdm PDF? A PDF (Portable Document Format) is a file format developed by Adobe that preserves the layout and formatting of a document, regardless of the software, hardware, or operating system used to view or print it. **How do I create a Matlab Code Zero Forcing Algorithm For Ofdm PDF?** There are several ways to create a PDF: Use software like Adobe Acrobat, Microsoft Word, or Google Docs, which often have built-in PDF creation tools. Print to PDF: Many applications and operating systems have a "Print to PDF" option that allows you to save a document as a PDF file instead of printing it on paper. Online converters: There are various online tools that can convert different file types to PDF. **How do I edit a Matlab Code Zero Forcing Algorithm For Ofdm PDF?** Editing a PDF can be done with software like Adobe Acrobat, which allows direct editing of text, images, and other elements within the PDF. Some free tools, like PDFescape or Smallpdf, also offer basic editing capabilities. **How do I convert a Matlab Code Zero Forcing Algorithm For Ofdm PDF to another file format?** There are multiple ways to convert a PDF to another format: Use online converters like Smallpdf, Zamzar, or Adobe Acrobats export feature to convert PDFs to formats like Word, Excel, JPEG, etc. Software like Adobe Acrobat, Microsoft Word, or other PDF editors may have options to export or save PDFs in different formats. **How do I password-protect a Matlab Code Zero Forcing Algorithm For Ofdm PDF?** Most PDF editing software allows you to add password protection. In Adobe Acrobat, for instance, you can go to "File" -> "Properties" -> "Security" to set a password to restrict access or editing capabilities. Are there any free alternatives to Adobe Acrobat for working with PDFs? Yes, there are many free alternatives for working with PDFs, such as: LibreOffice: Offers PDF editing features. PDFsam: Allows splitting, merging, and editing PDFs. Foxit Reader: Provides basic PDF viewing and editing capabilities. How do I compress a PDF file? You can use online tools like Smallpdf, ILovePDF, or desktop software like Adobe Acrobat to compress PDF files without significant quality loss. Compression reduces the file size, making it easier to share and download. Can I fill out forms in a PDF file? Yes, most PDF viewers/editors like Adobe Acrobat, Preview (on Mac), or various online tools allow you to fill out forms in PDF files by selecting text fields and entering information. Are there any

restrictions when working with PDFs? Some PDFs might have restrictions set by their creator, such as password protection, editing restrictions, or print restrictions. Breaking these restrictions might require specific software or tools, which may or may not be legal depending on the circumstances and local laws.

Find Matlab Code Zero Forcing Algorithm For Ofdm :

oca oracle database 12c administrator certified associate study exams 1z0 061 and 1z0 062

nuclear chemistry half life pogil answer key leetec

ohsas 18001 gap analysis checklist excel

nursing case studies with questions and answers

non western art a brief

open source intelligence tools and resources handbook

operations management 2003 774 pages jay heizer barry

ontario s critical care information system ccis hospital

npTEL notes civil engineering macawlations

operating system william stallings 6th edition

obstetrics by ten teachers 19th edition

notes from the midnight driver chapter questions

on the bus sibling lust 3 selena kitt

one direction who we are our official autobiography

nietzsche and philosophy european perspectives gilles deleuze

Matlab Code Zero Forcing Algorithm For Ofdm :

The Five Fingers by Gayle Rivers Genre/Quick Summary (No Spoilers): Seven men are sent into the jungles of eastern Asia to ambush and assassinate high level Chinese and North Vietnamese ... The Five Fingers - Gayle Rivers, James Hudson: Books This is an older book that purports to be a novelization of a Vietnam War special operation that went bad. ... The accounts of combat seem pretty realistic and ... Five Fingers, The book by Gayle Rivers Debate rages about the veracity of this book, but one thing remains: it is a monumental nail-biter/page-turner. Fans of war stories will not find better ... 5 Fingers The film is based on the true story of Albanian-born Elyesa Bazna, a spy with the code name of Cicero who worked for the Nazis in 1943-44 while he was employed ... 5 Fingers (1952) The story is one of 20th Century Fox's series of documentary-style films

based on real events during World War II. The sense of danger and suspense is well ... Five Fingers, The: Rivers, Gayle This is an older book that purports to be a novelization of a Vietnam War special operation that went bad. ... The accounts of combat seem pretty realistic and ... Book Review: The Five Fingers Aug 3, 2019 — 'The Five Fingers' first was published in hardback in 1978. This Bantam paperback edition (339 pp) was published in June 1979; the cover artist ... gayle rivers - five fingers The Five Fingers by Gayle Rivers, James Hudson and a great selection of related books, art and collectibles available now at AbeBooks.com. Differential Equations and Their Applications: An ... Find step-by-step solutions and answers to Differential Equations and Their Applications: An Introduction to Applied Mathematics - 9780387908069, ... Differential Equations and Their Applications Renardy/Rogers: An Introduction to Partial Differential Equations, 2nd ed. 14. Banks: Growth and Diffusion Phenomena: Mathematical Frameworksand. Applications. Differential Equations and Their Applications Find step-by-step solutions and answers to Differential Equations and Their Applications: An Introduction to Applied Mathematics - 9780387978949, ... Differential Equations and Their Applications Title, Differential Equations and Their Applications: Solution Manual Volume 15 of Applied mathematical sciences. Author, Martin Braun. M427J Textbook: Martin Braun, Differential Equations and Their Applications: An Introduction to Applied Mathematics, 4th edition ; ISBN-13: 978-0387978949. Differential Equations and Their Applications: An ... Used in undergraduate classrooms across the USA, this is a clearly written, rigorous introduction to differential equations and their applications. Martin Braun Solutions Books by Martin Braun with Solutions ; Differential Equations and Their Applications 3rd Edition 0 Problems solved, M. Braun, M Braun, Martin Braun. Student Solution Manual for Differential Equations This is the student solution manual for Differential Equations: Techniques, Theory, and Applications by Barbara D. MacCluer, Paul S. Bourdon, and Thomas L. Solved Subject : Differential equations and their Sep 30, 2020 — Question: Subject : Differential equations and their applications By Martin Braun Part : Qualitative theory of differential equations ===== ... Differential Equations and Their Applicati - Braun, Martin.pdf No information is available for this page. Losing Control? Sovereignty in an Age of Globalization Immigration Tests the New Order. Economic globalization denationalizes national economies; in contrast, immigration is renationalizing politics. There is a ... Immigration Tests New Order By Sassen: A Comparative ... The book targets a specialized audience with previous knowledge and particular interest in the topic of the migration crisis. It was published in 1995 by ... Immigration tests the new order sassen - resp.app Mar 25, 2023 — Yeah, reviewing a book immigration tests the new order sassen could be credited with your close associates listings. This is just one of the ... Reading free Immigration tests the new order sassen ... Aug 14, 2023 — Yeah, reviewing a books immigration tests the new order sassen could accumulate your near links listings. This is just one of the solutions ... The Repositioning of Citizenship by S Sassen · 2003 · Cited by 183 — issue is that of the historicity and the embeddedness of both categories, cit- izenship and the national state, rather than their purely formal features. The Repositioning of Citizenship: Emergent Subjects and ... by S Sassen · 2002 ·

Cited by 400 — SASSEN: REPOSITIONING OF CITIZENSHIP 1 1 ethnicity, religion, sex, sexual ... instance, prior to the new immigration law passed in 1996 who could prove ... saskia sassen The new immigration is further characterized by the immigrants' tendency to cluster in a few key U.S. regions. This was true as well of earlier immigration ... Losing Control?: Sovereignty in an Age of Globalization Sassen argues that a profound transformation is taking place, a partial denationalizing of national territory seen in such agreements as NAFTA and the European ... 2 The de facto Transnationalizing of Immigration Policy Discussions cover the operation of states under a new rule of law, the two cornerstones of immigration policy in developed countries — the border and individual ... Saskia Sassen by S Sassen · Cited by 159 — Next I briefly examine the question of immigrant remittances as one lens into the broader subject of the formation of alternative political economies and how ...