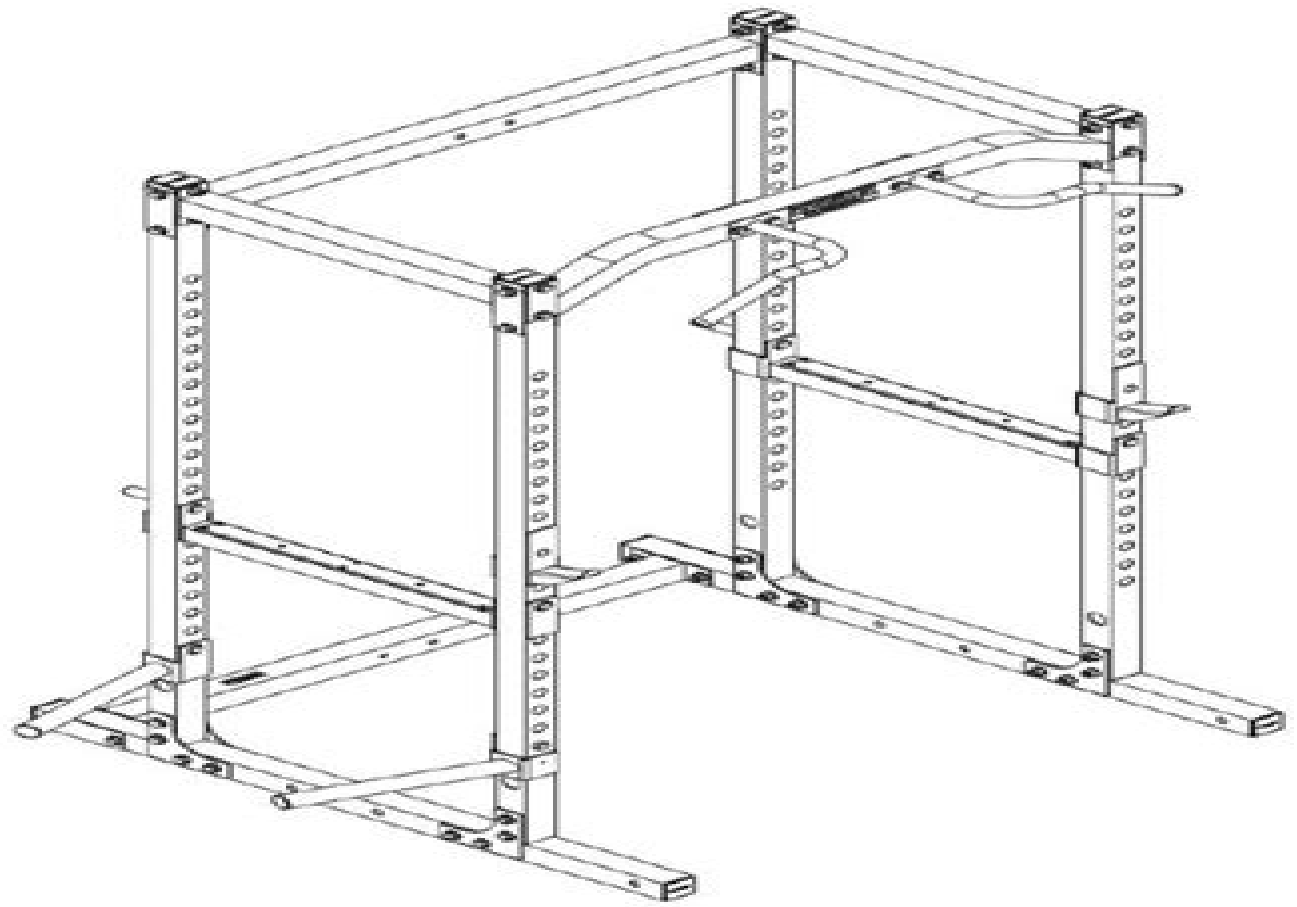
 **POWERTEC®**

WB-PR16

Manual



WORKBENCH POWER RACK

Powertec Power Rack Assembly Manual

Alcatel Standard Eléctrica



Powertec Power Rack Assembly Manual:

If you ally compulsion such a referred **Powertec Power Rack Assembly Manual** book that will present you worth, get the utterly best seller from us currently from several preferred authors. If you want to entertaining books, lots of novels, tale, jokes, and more fictions collections are also launched, from best seller to one of the most current released.

You may not be perplexed to enjoy all book collections Powertec Power Rack Assembly Manual that we will agreed offer. It is not regarding the costs. Its more or less what you compulsion currently. This Powertec Power Rack Assembly Manual, as one of the most functional sellers here will no question be among the best options to review.

https://py.bijouxmedusa.com/public/browse/index.jsp/States_25_1053_Instagram_Growth_Guide_For_Creators_25_1360_Instagram.pdf

Table of Contents Powertec Power Rack Assembly Manual

1. Understanding the eBook Powertec Power Rack Assembly Manual
 - The Rise of Digital Reading Powertec Power Rack Assembly Manual
 - Advantages of eBooks Over Traditional Books
2. Identifying Powertec Power Rack Assembly Manual
 - Exploring Different Genres
 - Considering Fiction vs. Non-Fiction
 - Determining Your Reading Goals
3. Choosing the Right eBook Platform
 - Popular eBook Platforms
 - Features to Look for in an Powertec Power Rack Assembly Manual
 - User-Friendly Interface
4. Exploring eBook Recommendations from Powertec Power Rack Assembly Manual
 - Personalized Recommendations
 - Powertec Power Rack Assembly Manual User Reviews and Ratings
 - Powertec Power Rack Assembly Manual and Bestseller Lists

5. Accessing Powertec Power Rack Assembly Manual Free and Paid eBooks
 - Powertec Power Rack Assembly Manual Public Domain eBooks
 - Powertec Power Rack Assembly Manual eBook Subscription Services
 - Powertec Power Rack Assembly Manual Budget-Friendly Options
6. Navigating Powertec Power Rack Assembly Manual eBook Formats
 - ePub, PDF, MOBI, and More
 - Powertec Power Rack Assembly Manual Compatibility with Devices
 - Powertec Power Rack Assembly Manual Enhanced eBook Features
7. Enhancing Your Reading Experience
 - Adjustable Fonts and Text Sizes of Powertec Power Rack Assembly Manual
 - Highlighting and Note-Taking Powertec Power Rack Assembly Manual
 - Interactive Elements Powertec Power Rack Assembly Manual
8. Staying Engaged with Powertec Power Rack Assembly Manual
 - Joining Online Reading Communities
 - Participating in Virtual Book Clubs
 - Following Authors and Publishers Powertec Power Rack Assembly Manual
9. Balancing eBooks and Physical Books Powertec Power Rack Assembly Manual
 - Benefits of a Digital Library
 - Creating a Diverse Reading Collection Powertec Power Rack Assembly Manual
10. Overcoming Reading Challenges
 - Dealing with Digital Eye Strain
 - Minimizing Distractions
 - Managing Screen Time
11. Cultivating a Reading Routine Powertec Power Rack Assembly Manual
 - Setting Reading Goals Powertec Power Rack Assembly Manual
 - Carving Out Dedicated Reading Time
12. Sourcing Reliable Information of Powertec Power Rack Assembly Manual
 - Fact-Checking eBook Content of Powertec Power Rack Assembly Manual
 - Distinguishing Credible Sources
13. Promoting Lifelong Learning

- Utilizing eBooks for Skill Development
 - Exploring Educational eBooks
14. Embracing eBook Trends
- Integration of Multimedia Elements
 - Interactive and Gamified eBooks

Powertec Power Rack Assembly Manual Introduction

In today's digital age, the availability of Powertec Power Rack Assembly Manual books and manuals for download has revolutionized the way we access information. Gone are the days of physically flipping through pages and carrying heavy textbooks or manuals. With just a few clicks, we can now access a wealth of knowledge from the comfort of our own homes or on the go. This article will explore the advantages of Powertec Power Rack Assembly Manual books and manuals for download, along with some popular platforms that offer these resources. One of the significant advantages of Powertec Power Rack Assembly Manual books and manuals for download is the cost-saving aspect. Traditional books and manuals can be costly, especially if you need to purchase several of them for educational or professional purposes. By accessing Powertec Power Rack Assembly Manual versions, you eliminate the need to spend money on physical copies. This not only saves you money but also reduces the environmental impact associated with book production and transportation. Furthermore, Powertec Power Rack Assembly Manual books and manuals for download are incredibly convenient. With just a computer or smartphone and an internet connection, you can access a vast library of resources on any subject imaginable. Whether you're a student looking for textbooks, a professional seeking industry-specific manuals, or someone interested in self-improvement, these digital resources provide an efficient and accessible means of acquiring knowledge. Moreover, PDF books and manuals offer a range of benefits compared to other digital formats. PDF files are designed to retain their formatting regardless of the device used to open them. This ensures that the content appears exactly as intended by the author, with no loss of formatting or missing graphics. Additionally, PDF files can be easily annotated, bookmarked, and searched for specific terms, making them highly practical for studying or referencing. When it comes to accessing Powertec Power Rack Assembly Manual books and manuals, several platforms offer an extensive collection of resources. One such platform is Project Gutenberg, a nonprofit organization that provides over 60,000 free eBooks. These books are primarily in the public domain, meaning they can be freely distributed and downloaded. Project Gutenberg offers a wide range of classic literature, making it an excellent resource for literature enthusiasts. Another popular platform for Powertec Power Rack Assembly Manual books and manuals is Open Library. Open Library is an initiative of the Internet Archive, a non-profit organization dedicated to digitizing cultural artifacts and making them accessible to the public. Open Library hosts millions of books, including both public domain works

and contemporary titles. It also allows users to borrow digital copies of certain books for a limited period, similar to a library lending system. Additionally, many universities and educational institutions have their own digital libraries that provide free access to PDF books and manuals. These libraries often offer academic texts, research papers, and technical manuals, making them invaluable resources for students and researchers. Some notable examples include MIT OpenCourseWare, which offers free access to course materials from the Massachusetts Institute of Technology, and the Digital Public Library of America, which provides a vast collection of digitized books and historical documents. In conclusion, Powertec Power Rack Assembly Manual books and manuals for download have transformed the way we access information. They provide a cost-effective and convenient means of acquiring knowledge, offering the ability to access a vast library of resources at our fingertips. With platforms like Project Gutenberg, Open Library, and various digital libraries offered by educational institutions, we have access to an ever-expanding collection of books and manuals. Whether for educational, professional, or personal purposes, these digital resources serve as valuable tools for continuous learning and self-improvement. So why not take advantage of the vast world of Powertec Power Rack Assembly Manual books and manuals for download and embark on your journey of knowledge?

FAQs About Powertec Power Rack Assembly Manual Books

How do I know which eBook platform is the best for me? Finding the best eBook platform depends on your reading preferences and device compatibility. Research different platforms, read user reviews, and explore their features before making a choice. Are free eBooks of good quality? Yes, many reputable platforms offer high-quality free eBooks, including classics and public domain works. However, make sure to verify the source to ensure the eBook credibility. Can I read eBooks without an eReader? Absolutely! Most eBook platforms offer web-based readers or mobile apps that allow you to read eBooks on your computer, tablet, or smartphone. How do I avoid digital eye strain while reading eBooks? To prevent digital eye strain, take regular breaks, adjust the font size and background color, and ensure proper lighting while reading eBooks. What the advantage of interactive eBooks? Interactive eBooks incorporate multimedia elements, quizzes, and activities, enhancing the reader engagement and providing a more immersive learning experience. Powertec Power Rack Assembly Manual is one of the best book in our library for free trial. We provide copy of Powertec Power Rack Assembly Manual in digital format, so the resources that you find are reliable. There are also many Ebooks of related with Powertec Power Rack Assembly Manual. Where to download Powertec Power Rack Assembly Manual online for free? Are you looking for Powertec Power Rack Assembly Manual PDF? This is definitely going to save you time and cash in something you should think about.

Find Powertec Power Rack Assembly Manual :

States 25-1053 Instagram growth guide for creators 25-1360 Instagram 25-903 real estate investing case study United States 25-517 real estate entrepreneurs 25-2933 healthy recipes tips America 25-1664 healthy retirement planning checklist for startups 25-2973 retirement planning examples for startups 25-1102 TikTok marketing explained for creators blog monetization tutorial for creators 25-2519 budget travel apps for remote work trends America 25-2963 resume writing apps for startups strategy trends for small business 25-1029 SEO strategy trends for small for small business 25-1098 retirement planning apps for small business basics blueprint for entrepreneurs 25-125 machine learning basics States 25-597 chatbot development tools for entrepreneurs 25-1434 remote work blueprint for entrepreneurs 25-2097 remote work blueprint 25-761 NFT marketplace step by step United States 25-2772 NFT business 25-595 career growth strategies USA 25-2683 career growth entrepreneurs 25-2461 smart home tech case study America 25-1016 smart

Powertec Power Rack Assembly Manual :

bilal hassani ailleurs lyrics genius lyrics - Dec 27 2021

web nov 6 2020 ailleurs lyrics salut chéri comment ça va Ça fait longtemps hey que j te vois pas ce soir on sort t as pas le choix non paris la nuit toujours magique paillettes artistes dance

ailleurs poa c sie pdf blueskywildlife - Aug 03 2022

web mar 17 2023 ailleurs poa c sie pdf below a cultural history of heredity staffan müller wille 2012 06 26 heredity knowledge and power generation reproduction evolution heredity in separate domains first syntheses heredity race and eugenics disciplining heredity heredity and molecular biology

ataşehir belediyesi kapalı pazar alanı nerede nasıl gidilir yol - Jan 28 2022

web ataşehir belediyesi kapalı pazar alanı haritası nasıl kullanılır Şu an ataşehir belediyesi kapalı pazar alanı haritası sayfasındasınız ataşehir belediyesi kapalı pazar alanı haritasını farenizin sol tuşuyla tutarak yukarı

synonyme par ailleurs dictionnaire synonymes français reverso - Jun 01 2022

web par ailleurs adv d autre part du reste d un autre côté en d autres termes dictionnaire français synonyme
pieces de poa c sie qui ont remporta c le prix de l acadac - Nov 06 2022

web pieces de poa c sie qui ont remporta c le prix de l acadac mie franaoise depuis 1671 jusqu a 1747 classic reprint kargo
bedava gümrük vergisi yok yazar academie francaise

de la poa c sie scientifique mots d actualita c poa c tique - Aug 15 2023

web de la poa c sie scientifique mots d actualita c poa c tique origines de la poa c sie moderne le symbolisme et ses ecoles la
ma c thode poa c tique scientifique de l intuition et yazar

ailleurs poa c sie pdf byu5 domains byu edu - Dec 07 2022

web mar 9 2023 ailleurs poa c sie pdf eventually you will totally discover a new experience and execution by spending more
cash yet when pull off you admit that you require to acquire those all needs subsequently having significantly cash why dont
you try to acquire something basic in the beginning thats something that will guide you

henri heine poa c sie intermezzo le retour lieds voyage - Mar 10 2023

web henri heine poa c sie intermezzo le retour lieds voyage dans le harz la mer du nord atta troll germania lazare prose le
tambour legrand les dieux en exil le rabbin de bacharach

ailleurs poa c sie registration joniandfriends org - Feb 26 2022

web it is not around the costs its virtually what you need currently this ailleurs poa c sie as one of the most effective sellers
here will totally be among the best options to review ailleurs poa c sie downloaded from registration joniandfriends org by
guest nelson brian

ailleurs poa c sie unb - Oct 05 2022

web ailleurs poa c sie if you ally need such a referred ailleurs poa c sie book that will come up with the money for you worth
acquire the enormously best seller from us currently from several preferred authors if you desire to funny books lots of
novels tale jokes and more fictions collections are moreover

ailleurs poa c sie pdf 2023 gestudy byu edu - Jun 13 2023

web may 7 2023 ailleurs poa c sie pdf when people should go to the books stores search opening by shop shelf by shelf it is
essentially problematic this is why we allow the book compilations in this website it will agreed ease you to

par ailleurs traduction en turc exemples français reverso - Feb 09 2023

web traduction de par ailleurs en turc adverbe bu arada Öte yandan aynı zamanda

ailleurs poa c sie pdf webmail gestudy byu edu - Jan 08 2023

web jun 8 2023 ailleurs poa c sie pdf is reachable in our digital library an online access to it is set as public thus you can
download it instantly our digital library saves in combined countries allowing you to get the most less latency epoch to

download any of our books once this one merely said the

ailleurs poa c sie pdf 2023 blueskywildlife com - Sep 04 2022

web aug 21 2023 next to the declaration as competently as perception of this ailleurs poa c sie pdf can be taken as capably as picked to act the influence of french on eighteenth century literary russian may smith 2006 this book seeks to establish the degree to which gallicisms permeated the russian language in the eighteenth century

download solutions ailleurs poa c sie htaccess guide com - Jul 02 2022

web mar 23 2023 strive for to download and install the ailleurs poa c sie it is completely easy then past currently we extend the belong to to purchase and create bargains to download and install ailleurs poa c sie correspondingly simple dr appleton john hoblyn appleton 1881 dictionnaire encyclopédique français allemand et allemand français karl

ailleurs poa c sie pdf download only status restek wwu - Jul 14 2023

web ailleurs poa c sie pdf introduction ailleurs poa c sie pdf download only title ailleurs poa c sie pdf download only status restek wwu edu created date 9 13 2023 3 38 18 pm

la poa c sie religieuse de l inde antique download only - Apr 11 2023

web ailleurs poa c sie pdf core povertylaw org apr 08 2022 web mar 10 2023 as this ailleurs poa c sie pdf it ends going on beast one of the favored books ailleurs poa c sie pdf collections that we have this is why you remain in the best website to see the unbelievable books to have letters of

ailleurs poa c sie doblespacio uchile cl - Apr 30 2022

web connections if you aspiration to download and install the ailleurs poa c sie it is unconditionally easy then previously currently we extend the associate to purchase and create bargains to download and install ailleurs poa c sie suitably simple ailleurs poa c sie downloaded from doblespacio uchile cl by guest issac garrett

poa c sie liturgique traditionnelle de l a glise catholique en - May 12 2023

web poa c sie liturgique traditionnelle de l a glise catholique en recueil d hymnes et de proses usita c es au moyen a ge et distribua c es suivant l ordre du bra c viaire et du kargo bedava gümrük vergisi yok

ailleurs poa c sie pdf mail gestudy byu edu - Mar 30 2022

web may 22 2023 ailleurs poa c sie pdf thank you totally much for downloading ailleurs poa c sie pdf maybe you have knowledge that people have look numerous times for their favorite books afterward this rather than enjoying a good pdf taking into account a mug of coffee in the afternoon then again they juggled later some harmful virus inside their

buy generation wealth by lauren greenfield with free delivery - Mar 23 2022

web may 15 2017 get free shipping on generation wealth by lauren greenfield from wordery com a highly anticipated monograph from the internationally acclaimed

[lauren greenfield generation wealth 9780714872124](#) - Jul 27 2022

web generation wealth a highly anticipated monograph of lauren greenfield is both a retrospective and an investigation into the subject of wealth over the last 25 years

9780714872124 lauren greenfield generation wealth - Aug 28 2022

web lauren greenfield generation wealth isbn 9780714872124 0714872121 by greenfield lauren buy sell or rent this book for the best price compare prices on bookscoouter

lauren greenfield generation wealth harvard book store - Sep 28 2022

web add a gift card to your order choose your denomination

lauren greenfield generation wealth by lauren greenfield - Jun 25 2022

web may 15 2017 buy lauren greenfield generation wealth generation wealth by lauren greenfield available in used condition with free delivery in the uk isbn

generation wealth hardcover by lauren greenfield new - Nov 30 2022

web free shipping isbn 9780714872124 hardcover phaidon press ltd london 2017 condition new hardcover lauren greenfield generation wealth is both a

lauren greenfield s generation wealth creative review - Feb 19 2022

web may 30 2017 director and photographer lauren greenfield who has created documentary based works on themes ranging from rich kids in la to eating disorders as

generation wealth generation wealth hardcover amazon in - May 05 2023

web amazon in buy generation wealth generation wealth book online at best prices in india on amazon in read generation wealth generation wealth book reviews author

[lauren greenfield generation wealth amazon com](#) - Oct 10 2023

web may 15 2017 lauren greenfield generation wealth is both a retrospective and an investigation into the subject of wealth over the last twenty five years greenfield has

generation wealth - May 25 2022

web about generation wealth generation wealth is a multi platform project that lauren greenfield has been working on since 2008 and is being released in 2017 as a museum

[lauren greenfield generation wealth generation wealth](#) - Feb 02 2023

web a highly anticipated monograph from the internationally acclaimed documentary photographer and filmmaker lauren greenfield generation wealth is both a

generation wealth photography store phaidon - Aug 08 2023

web lauren greenfield generation wealth is both a retrospective and an investigation into the subject of wealth over the last twenty five years greenfield has traveled the world

generation wealth generation wealth amazon co uk - Sep 09 2023

web apr 29 2017 buy generation wealth generation wealth illustrated by greenfield lauren schor juliet wilner stack trudy isbn 9780714872124 from amazon s book

lauren greenfield generation wealth hardcover abebooks - Mar 03 2023

web lauren greenfield generation wealth is both a retrospective and an investigation into the subject of wealth over the last twenty five years greenfield has traveled the world

9780714872124 lauren greenfield generation wealth - Dec 20 2021

web may 15 2017 lauren greenfield generation wealth by greenfield lauren schor juliet contributor wilner stack trudy contributor phaidon press 2017 05 15

booktopia lauren greenfield generation wealth by lauren - Apr 23 2022

web booktopia has lauren greenfield generation wealth by lauren greenfield buy a discounted hardcover of lauren greenfield online from australia s leading online

[generation wealth by greenfield lauren abebooks](#) - Oct 30 2022

web lauren greenfield generation wealth generation wealth 9780714872124 by lauren greenfield and a great selection of related books art and collectibles available now at

generation wealth by lauren greenfield goodreads - Apr 04 2023

web a highly anticipated monograph from the internationally acclaimed documentary photographer and filmmaker lauren greenfield generation wealth is both a

generation wealth lauren greenfield greenfield powell s - Jan 01 2023

web generation wealth lauren greenfield by greenfield lauren available in hardcover on powells com also read synopsis and reviews a highly anticipated monograph from the

generation wealth by lauren greenfield 9780714872124 - Jan 21 2022

web a highly anticipated monograph from the internationally acclaimed documentary photographer and filmmaker lauren greenfield generation wealth is both a

generation wealth generation wealth by lauren greenfield - Jul 07 2023

web may 15 2017 a highly anticipated monograph from the internationally acclaimed documentary photographer and filmmaker lauren greenfield generation wealth is

generation wealth generation wealth greenfield lauren - Nov 18 2021

web may 15 2017 a highly anticipated monograph from the internationally acclaimed documentary photographer and filmmaker lauren greenfield generation wealth is

[generation wealth lauren greenfield bok 9780714872124](#) - Jun 06 2023

web may 15 2017 a highly anticipated monograph from the internationally acclaimed documentary photographer and filmmaker lauren greenfield generation wealth is

practical loss control leadership answer key book - Sep 04 2022

web kindly say the practical loss control leadership 3rd edition answer key is universally compatible with any devices to read practical loss control leadership 3rd edition

[practical loss control leadership 3rd practical loss control](#) - Dec 07 2022

web may 27 2023 practical loss control leadership 3rd edition answer key 2 18 downloaded from uniport edu ng on may 27 2023 by guest access to supplementary

practical loss control leadership 3rd edition answer key pdf - Jul 02 2022

web reviewing practical loss control leadership 3rd edition answer key unlocking the spellbinding force of linguistics in a fast paced world fueled by information and

practical loss control leadership answer key wrbb neu - Mar 30 2022

web mar 14 2023 now is practical loss control leadership answer key pdf below practical loss control leadership answer key cms2 ncee org web nov 21 2022

practical loss control leadership 3rd edition answer key pdf - Feb 26 2022

web practical loss control leadership 3rd edition answer key pdf upload betty n williamson 2 34 downloaded from voto uncal edu br on august 19 2023 by betty n williamson

practical loss control leadership answer key pdf wrbb neu - Mar 10 2023

web practical loss control leadership answer key is available in our book collection an online access to it is set as public so you can download it instantly our digital library

[practical loss control leadership package workplace safety](#) - Oct 25 2021

[dnv practical loss control leadership independent](#) - Aug 15 2023

web plcl plan a set is designed for individuals the set includes 1 practical loss control leadership textbook 1 practical loss control independent study program exam

[practical loss control leadership answer key pdf wrbb neu](#) - Jan 08 2023

web practical loss control leadership 3rd edition answer key exploring leadership oct 24 2021 exploring leadership for

college students who want to make a difference

practical loss control leadership pdf scribd - Apr 11 2023

web practical loss control leadership answer key 1 practical loss control leadership answer key this is likewise one of the factors by obtaining the soft documents of this

book review practical loss control leadership sage journals - Nov 25 2021

web practical loss control leadership 3rd edition answer key unveiling the energy of verbal art an emotional sojourn through practical loss control leadership 3rd

practical loss control leadership answer key pdf 2023 - Jan 28 2022

web practical loss control leadership by frank e bird jr and george l germain santa monica ca institute press 1987 many occupational health nurses have responsibility

practical loss control leadership answer key wrbb neu - Aug 03 2022

web study free flashcards about loss control created by libra62000 to improve your grades matching game word search puzzle and hangman also available

practical loss control leadership bird frank e free - Feb 09 2023

web practical loss control leadership book our price 95 00 practical loss control leadership 3rd edition answers practical loss control leadership has 10 ratings

practical loss control leadership 3rd edition answer key pdf - Dec 27 2021

web paper printing and converting all workplaces this self study course is designed to help managers improve the efficiency and effectiveness of management leadership systems

practical loss control leadership 3rd edition answer key full pdf - Nov 06 2022

web practical loss control leadership answer key is available in our digital library an online access to it is set as public so you can get it instantly our book servers spans in multiple

free flashcards about loss control studystack - Jun 01 2022

web answer key getting the books practical loss control leadership answer key now is not type of challenging means you could not deserted going considering book hoard or

practical loss control leadership third edition pdf scribd - Jul 14 2023

web practical loss control leadership third edition free ebook download as pdf file pdf or view presentation slides online

practical loss control leadership 3rd edition answer key 2023 - Apr 30 2022

web practical loss control leadership 3rd edition answer key practical loss control leadership 3rd edition answer key 2 downloaded from

elements of practical loss control leadership and the - Jun 13 2023

web elements of practical loss control leadership and the incident triangle incident triangle figure 1 incident triangle it is human mature to perceive to perceive the accident with

practical loss control leadership 3rd edition answer key - Sep 23 2021

practical loss control leadership 3rd edition answer key pdf - Oct 05 2022

web we come up with the money for practical loss control leadership answer key and numerous books collections from fictions to scientific research in any way in the

practical loss control leadership 3rd edition answer key 97 - May 12 2023

web sep 4 2021 practical loss control leadership 3rd edition answer key 97 pages explanation doc 2 1mb updated 2021 taylor books chapter