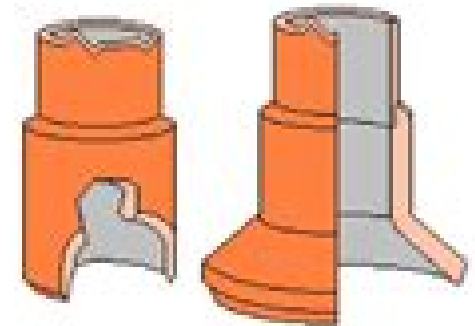


Well COMPLETION

5. OTHERS

5.1 Wireline Entry Guide (WLEG)

- Bottom most tubing accessories.
- Provide easy access for WL tools into tubing.

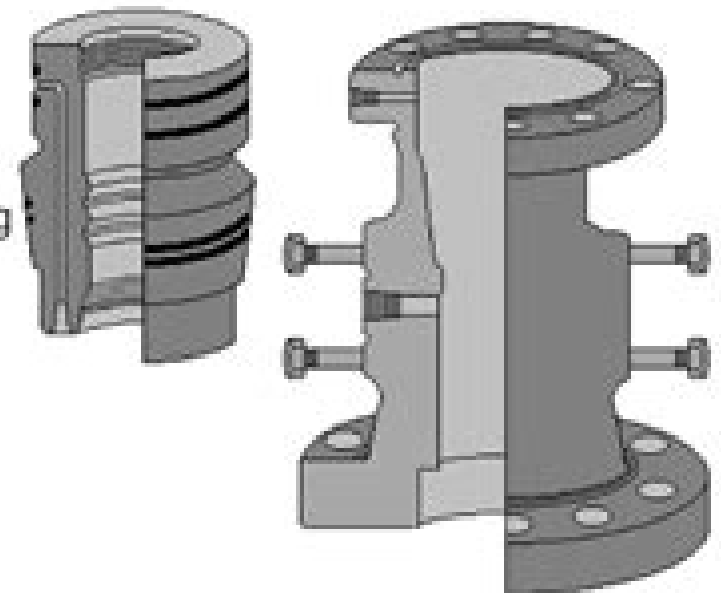


5.2 Perforated Joint

- Eliminate flow restrictions.
- Provide true downhole flow readings.

5.3 Control Line

- Transport hydraulic fluid to SCSSV
- Continuous length & securely clamped on tubing wall.



5.4 Tubing Hanger

- Set in THS , suspend tubing weight & provide sealing.
- BPV Receptacle

Wireline Operations Manual

Marcel A. Müller



Wireline Operations Manual:

Standard Handbook of Petroleum and Natural Gas Engineering William C. Lyons, Gary J Plisga BS, 2011-03-15 This new edition of the Standard Handbook of Petroleum and Natural Gas Engineering provides you with the best state of the art coverage for every aspect of petroleum and natural gas engineering With thousands of illustrations and 1 600 information packed pages this text is a handy and valuable reference Written by over a dozen leading industry experts and academics the Standard Handbook of Petroleum and Natural Gas Engineering provides the best most comprehensive source of petroleum engineering information available Now in an easy to use single volume format this classic is one of the true must haves in any petroleum or natural gas engineer s library A classic for the oil and gas industry for over 65 years A comprehensive source for the newest developments advances and procedures in the petrochemical industry covering everything from drilling and production to the economics of the oil patch Everything you need all the facts data equipment performance and principles of petroleum engineering information not found anywhere else A desktop reference for all kinds of calculations tables and equations that engineers need on the rig or in the office A time and money saver on procedural and equipment alternatives application techniques and new approaches to problems

Wireline Operations and Procedures American Petroleum Institute. Division of Production, 1964

Wireline Operations Jack B. Hall, 1988

Wireline Operations and Procedures American Petroleum Institute. Production Department, 1994

Oilfield Survival Guide, Volume One: For All Oilfield Situations Matthew J. Hatami, 2017-01-02 Save Money Time and Lives with the Real World Oil Gas Experience of Others Learning the Hard Way in the Oilfield can Cost You Millions sometimes Billions of Dollars in addition to Injury and Loss of Life Cut Through the Noise to Focus on the Most Critical Aspects of Working in the Oil and Gas Business Based on over 1 000 Oil and Gas Situations involving Drilling Cementing Fracking Wireline Coil Tubing Snubbing Running Tools Welding Production Workover Logging Trucking Geology Land Engineering Resource Development Executive Management and much much more Expand Your Value Creation Opportunities by Learning from the Real World Experience of Others Whether you work in the office or in the field work as a Company Man Engineer Driller Tool Pusher Roughneck Geologist Landman Truck Driver Frac Hand Treater Cementer Lawyer Flowback Hand Welder Geophysicist Snubber Pumper Equipment Operator Derrick Man Mechanic Petrophysicist Roustabout Manager Director VP or Executive consider adding Oilfield Survival Guide to your toolbox of knowledge In other words if you work hard for your money in the oil business this book is for you The oil gas industry is one of the most capital intensive businesses today As a result mistakes situations can be expensive in addition to injury and loss of life To prevent undesirable situations Oilfield Survival Guide was created based on over 1 000 oil gas situations The ultimate guide for all oil and gas situations Tactics Procedures Fatalities Short Stories Train Wrecks Disaster Avoidance Court Cases Life Savings Skills Checklists Troubleshooting Problem Job Prevention Oilfield Survival Guide is the ultimate oil industry resource to help manage oilfield risk and avoid mistakes by increasing your oil and gas knowledge and

intelligence utilizing a variety of methods including Tactics Short and to the point guidelines to reduce risk and instill work principles to be successful in the oil industry from the field to the office Short Stories Experience from the mistakes of others Fatalities Detailed analysis of oil and gas tragedies Court Cases Jury trials expert witness testimony and legal opinions on a variety of oil and gas cases Procedures Step by step process to create oilfield procedures and checklists along with multiple examples Operations Analysis Oil and gas operations post mortem highlighting key learnings practical knowledge useful tips and best practices Over 1 000 oil and gas situations analyzed to create Oilfield Survival Guide *The Practical Handbook of Well Control* Rahman Ashena,2025-02-21 The Practical Handbook of Well Control teaches readers to safeguard well safety and integrity in drilling well engineering Offering an applied and scientific point of view it covers fundamental aspects of well control and includes practical procedures and well control methods for land and offshore operations It features a wealth of questions to commonly encountered problems and comprehensive answers at the end of each topical discussion to test reader comprehension Written in a concise accessible way by experienced oilfield and academic experts Covers all related technical subjects of well control Describes modern aspects of well control including automatic well control advances in outflow measurement artificial intelligence and IoT techniques for early kick detection mud gas separators and riser gas modeling Includes case studies to familiarize readers with real world problems and solutions Offers a full explanation of each problem to familiarize readers with commonly faced issues Features sample exercises with comprehensive answers useful for IWCF and IADC exams This handbook serves as a valuable reference and workbook for field drilling and workover engineers in the energy sector [Policy-Driven Mobile Ad hoc Network Management](#) Ritu Chadha,Latha Kant,2007-10-23 This book should be immensely interesting to those trying to decide what MANET research is worth undertaking and why J Christopher Ramming Program Manager Defense Advanced Research Projects Agency DARPA Strategic Technology Office A thorough comprehensive treatment of mobile ad hoc network management Mobile ad hoc networking is a hot topic gaining importance in both commercial and military arenas Now that the basics in the field have settled and standards are emerging the time is right for a book on management of these networks From two experts in the field Policy Driven Mobile Ad hoc Network Management provides comprehensive coverage of the management challenges associated with mobile ad hoc networks MANETs and includes an in depth discussion of how policy based network management can be used for increasing automation in the management of mobile ad hoc networks This book provides readers with a complete understanding of mobile ad hoc network management and many related topics including Network management requirements for MANETs with an emphasis on the differences between the management requirements for MANETs as compared to static wireline networks The use of policies for managing MANETs to increase automation and to tie together management components via policies Policy conflict detection and resolution Aspects of MANETs that need to be configured and reconfigured at all layers of the protocol stack Methodologies for providing survivability in the face of both hard and soft failures in MANETs The components

of a Quality of Service QoS management solution for MANETs based on the widely used Differentiated Services DiffServ paradigm Important open research issues in the area of MANET management Policy Driven Mobile Ad hoc Network Management is an ideal resource for professionals researchers and advanced graduate students in the field of IP network management who are interested in mobile ad hoc networks

Well Control for Completions and Interventions Howard Crumpton,2018-04-04 Well Control for Completions and Interventions explores the standards that ensure safe and efficient production flow well integrity and well control for oil rigs focusing on the post Macondo environment where tighter regulations and new standards are in place worldwide Too many training facilities currently focus only on the drilling side of the well s cycle when teaching well control hence the need for this informative guide on the topic This long awaited manual for engineers and managers involved in the well completion and intervention side of a well s life covers the fundamentals of design equipment and completion fluids In addition the book covers more important and distinguishing components such as well barriers and integrity envelopes well kill methods specific to well completion and other forms of operations that involve completion like pumping and stimulation including hydraulic fracturing and shale coiled tubing wireline and subsea intervention Provides a training guide focused on well completion and intervention Includes coverage of subsea and fracturing operations Presents proper well kill procedures Allows readers to quickly get up to speed on today s regulations post Macondo for well integrity barrier management and other critical operation components

Proceedings of the International Field Exploration and Development Conference 2023 Jia'en Lin,2024-03-11 This book focuses on reservoir surveillance and management reservoir evaluation and dynamic description reservoir production stimulation and EOR ultra tight reservoir unconventional oil and gas resources technology oil and gas well production testing and geomechanics This book is a compilation of selected papers from the 13th International Field Exploration and Development Conference IFEDC 2023 The conference not only provides a platform to exchanges experience but also promotes the development of scientific research in oil gas exploration and production The main audience for the work includes reservoir engineer geological engineer enterprise managers senior engineers as well as students

Proceedings - Offshore Technology Conference ,1998 **Federal Register** ,1999-07-08 **A Guide to Coalbed Methane Operations** Vicki A. Hollub,Paul S. Schafer,1992 The Oil and Gas Journal ,1930 **Petroleum Engineering Handbook** Howard B. Bradley,Fred W. Gipson,1987 **Proceedings ... SPE Annual Technical Conference and Exhibition** Society of Petroleum Engineers (U.S.). Technical Conference and Exhibition,1992 **The Standard and Poor's 500 Guide** Standard & Poor's,2005-12 Text and statistical data on 500 individual companies Drilling International ,1967 Petroleum Engineer International ,1982 **Petroleum Engineering Handbook** Larry W. Lake,2006 The Petroleum Engineering Handbook has long been recognized as a valuable comprehensive reference book that offers practical day to day applications for students and experienced engineering professionals alike The Petroleum Engineering Handbook is now a series of 7

volumes Volume IV Production Operations Engineering will bring readers up to date in the areas of design equipment selection and operation procedures for most oil and gas wells Chapters cover three main topic areas well completions problems caused by formation damage and artificial lift a major concern for production engineers **Training Manual** United States. Army. Signal Corps,1925

Recognizing the pretentiousness ways to get this ebook **Wireline Operations Manual** is additionally useful. You have remained in right site to begin getting this info. get the Wireline Operations Manual colleague that we offer here and check out the link.

You could purchase guide Wireline Operations Manual or acquire it as soon as feasible. You could speedily download this Wireline Operations Manual after getting deal. So, with you require the books swiftly, you can straight get it. Its for that reason totally easy and for that reason fats, isnt it? You have to favor to in this express

<https://py.bijouxmedusa.com/results/scholarship/fetch.php/English%20Workshop%20Fifth%20Course%20Grade11%20Teachers%20Notes%20And%20Answer%20Key.pdf>

Table of Contents Wireline Operations Manual

1. Understanding the eBook Wireline Operations Manual
 - The Rise of Digital Reading Wireline Operations Manual
 - Advantages of eBooks Over Traditional Books
2. Identifying Wireline Operations Manual
 - Exploring Different Genres
 - Considering Fiction vs. Non-Fiction
 - Determining Your Reading Goals
3. Choosing the Right eBook Platform
 - Popular eBook Platforms
 - Features to Look for in an Wireline Operations Manual
 - User-Friendly Interface
4. Exploring eBook Recommendations from Wireline Operations Manual
 - Personalized Recommendations
 - Wireline Operations Manual User Reviews and Ratings
 - Wireline Operations Manual and Bestseller Lists

5. Accessing Wireline Operations Manual Free and Paid eBooks
 - Wireline Operations Manual Public Domain eBooks
 - Wireline Operations Manual eBook Subscription Services
 - Wireline Operations Manual Budget-Friendly Options
6. Navigating Wireline Operations Manual eBook Formats
 - ePub, PDF, MOBI, and More
 - Wireline Operations Manual Compatibility with Devices
 - Wireline Operations Manual Enhanced eBook Features
7. Enhancing Your Reading Experience
 - Adjustable Fonts and Text Sizes of Wireline Operations Manual
 - Highlighting and Note-Taking Wireline Operations Manual
 - Interactive Elements Wireline Operations Manual
8. Staying Engaged with Wireline Operations Manual
 - Joining Online Reading Communities
 - Participating in Virtual Book Clubs
 - Following Authors and Publishers Wireline Operations Manual
9. Balancing eBooks and Physical Books Wireline Operations Manual
 - Benefits of a Digital Library
 - Creating a Diverse Reading Collection Wireline Operations Manual
10. Overcoming Reading Challenges
 - Dealing with Digital Eye Strain
 - Minimizing Distractions
 - Managing Screen Time
11. Cultivating a Reading Routine Wireline Operations Manual
 - Setting Reading Goals Wireline Operations Manual
 - Carving Out Dedicated Reading Time
12. Sourcing Reliable Information of Wireline Operations Manual
 - Fact-Checking eBook Content of Wireline Operations Manual
 - Distinguishing Credible Sources
13. Promoting Lifelong Learning

- Utilizing eBooks for Skill Development
 - Exploring Educational eBooks
14. Embracing eBook Trends
- Integration of Multimedia Elements
 - Interactive and Gamified eBooks

Wireline Operations Manual Introduction

Free PDF Books and Manuals for Download: Unlocking Knowledge at Your Fingertips In today's fast-paced digital age, obtaining valuable knowledge has become easier than ever. Thanks to the internet, a vast array of books and manuals are now available for free download in PDF format. Whether you are a student, professional, or simply an avid reader, this treasure trove of downloadable resources offers a wealth of information, conveniently accessible anytime, anywhere. The advent of online libraries and platforms dedicated to sharing knowledge has revolutionized the way we consume information. No longer confined to physical libraries or bookstores, readers can now access an extensive collection of digital books and manuals with just a few clicks. These resources, available in PDF, Microsoft Word, and PowerPoint formats, cater to a wide range of interests, including literature, technology, science, history, and much more. One notable platform where you can explore and download free Wireline Operations Manual PDF books and manuals is the internet's largest free library. Hosted online, this catalog compiles a vast assortment of documents, making it a veritable goldmine of knowledge. With its easy-to-use website interface and customizable PDF generator, this platform offers a user-friendly experience, allowing individuals to effortlessly navigate and access the information they seek. The availability of free PDF books and manuals on this platform demonstrates its commitment to democratizing education and empowering individuals with the tools needed to succeed in their chosen fields. It allows anyone, regardless of their background or financial limitations, to expand their horizons and gain insights from experts in various disciplines. One of the most significant advantages of downloading PDF books and manuals lies in their portability. Unlike physical copies, digital books can be stored and carried on a single device, such as a tablet or smartphone, saving valuable space and weight. This convenience makes it possible for readers to have their entire library at their fingertips, whether they are commuting, traveling, or simply enjoying a lazy afternoon at home. Additionally, digital files are easily searchable, enabling readers to locate specific information within seconds. With a few keystrokes, users can search for keywords, topics, or phrases, making research and finding relevant information a breeze. This efficiency saves time and effort, streamlining the learning process and allowing individuals to focus on extracting the information they need. Furthermore, the availability of free PDF books and manuals fosters a culture of continuous learning. By removing financial barriers, more people can access educational resources and pursue lifelong learning, contributing to personal

growth and professional development. This democratization of knowledge promotes intellectual curiosity and empowers individuals to become lifelong learners, promoting progress and innovation in various fields. It is worth noting that while accessing free Wireline Operations Manual PDF books and manuals is convenient and cost-effective, it is vital to respect copyright laws and intellectual property rights. Platforms offering free downloads often operate within legal boundaries, ensuring that the materials they provide are either in the public domain or authorized for distribution. By adhering to copyright laws, users can enjoy the benefits of free access to knowledge while supporting the authors and publishers who make these resources available. In conclusion, the availability of Wireline Operations Manual free PDF books and manuals for download has revolutionized the way we access and consume knowledge. With just a few clicks, individuals can explore a vast collection of resources across different disciplines, all free of charge. This accessibility empowers individuals to become lifelong learners, contributing to personal growth, professional development, and the advancement of society as a whole. So why not unlock a world of knowledge today? Start exploring the vast sea of free PDF books and manuals waiting to be discovered right at your fingertips.

FAQs About Wireline Operations Manual Books

How do I know which eBook platform is the best for me? Finding the best eBook platform depends on your reading preferences and device compatibility. Research different platforms, read user reviews, and explore their features before making a choice. Are free eBooks of good quality? Yes, many reputable platforms offer high-quality free eBooks, including classics and public domain works. However, make sure to verify the source to ensure the eBook credibility. Can I read eBooks without an eReader? Absolutely! Most eBook platforms offer webbased readers or mobile apps that allow you to read eBooks on your computer, tablet, or smartphone. How do I avoid digital eye strain while reading eBooks? To prevent digital eye strain, take regular breaks, adjust the font size and background color, and ensure proper lighting while reading eBooks. What the advantage of interactive eBooks? Interactive eBooks incorporate multimedia elements, quizzes, and activities, enhancing the reader engagement and providing a more immersive learning experience. Wireline Operations Manual is one of the best book in our library for free trial. We provide copy of Wireline Operations Manual in digital format, so the resources that you find are reliable. There are also many Ebooks of related with Wireline Operations Manual. Where to download Wireline Operations Manual online for free? Are you looking for Wireline Operations Manual PDF? This is definitely going to save you time and cash in something you should think about. If you trying to find then search around for online. Without a doubt there are numerous these available and many of them have the freedom. However without doubt you receive whatever you purchase. An alternate way to get ideas is always to check another Wireline Operations Manual. This method

for see exactly what may be included and adopt these ideas to your book. This site will almost certainly help you save time and effort, money and stress. If you are looking for free books then you really should consider finding to assist you try this. Several of Wireline Operations Manual are for sale to free while some are payable. If you arent sure if the books you would like to download works with for usage along with your computer, it is possible to download free trials. The free guides make it easy for someone to free access online library for download books to your device. You can get free download on free trial for lots of books categories. Our library is the biggest of these that have literally hundreds of thousands of different products categories represented. You will also see that there are specific sites catered to different product types or categories, brands or niches related with Wireline Operations Manual. So depending on what exactly you are searching, you will be able to choose e books to suit your own need. Need to access completely for Campbell Biology Seventh Edition book? Access Ebook without any digging. And by having access to our ebook online or by storing it on your computer, you have convenient answers with Wireline Operations Manual To get started finding Wireline Operations Manual, you are right to find our website which has a comprehensive collection of books online. Our library is the biggest of these that have literally hundreds of thousands of different products represented. You will also see that there are specific sites catered to different categories or niches related with Wireline Operations Manual So depending on what exactly you are searching, you will be able to choose ebook to suit your own need. Thank you for reading Wireline Operations Manual. Maybe you have knowledge that, people have search numerous times for their favorite readings like this Wireline Operations Manual, but end up in harmful downloads. Rather than reading a good book with a cup of coffee in the afternoon, instead they juggled with some harmful bugs inside their laptop. Wireline Operations Manual is available in our book collection an online access to it is set as public so you can download it instantly. Our digital library spans in multiple locations, allowing you to get the most less latency time to download any of our books like this one. Merely said, Wireline Operations Manual is universally compatible with any devices to read.

Find Wireline Operations Manual :

english workshop fifth course grade11 teachers notes and answer key

erica wilsons knitting book

evaluating the seismic hazards in metro manila philippines

event planning tips the straight scoop on how to run an successful event

esame di stato commercialista napoli federico ii

falsettos

ethical life shafer landau final

**evan moor corp emc 3454 daily comprehension
environmental earth science journal**

essay in hindi beti bachao beti padao

fansadox collection 468 the hotties next door part 8

envision math 4th grade workbook

esercizi svolti di elettrotecnica

eternal starling emblem of eternity 1 angela corbett

~~ezra pound and the appropriation of chinese poetry cathay translation and imagism~~

Wireline Operations Manual :

50 dinge die du für dein studium tun kannst auch wenn du - Aug 05 2023

web mit mini aktionen zum erfolg in diesem buch stelle ich dir 50 kleine dinge vor die du für dein studium tun kannst obwohl du eigentlich gar keine zeit hast 50 erprobte schritte die wenig zeitaufwand erfordern aber deine arbeitsweise revolutionieren werden ich zeige dir wie du in nur wenigen minuten mehr für dein studium tun kannst als

50 dinge die du für dein studium tun kannst auch wenn du - Jun 03 2023

web nov 12 2016 keine zeit zum studieren studieren ist stressig für große lernsessions hast du im hektischen unialltag einfach die zeit vorlesungen seminare nebenjob und sonstige verpflichtungen blockieren große teile deines kalenders und bremsen dich aus

50 dinge die du für dein studium tun kannst auch wenn du - Oct 07 2023

web ich zeige dir wie du in nur wenigen minuten mehr für dein studium tun kannst als sonst in einer ganzen woche und das alles mit ein paar einfachen tricks die du kinderleicht umsetzen kannst 50 konkrete maßnahmen die du sofort umsetzen kannst

50 dinge die du für dein studium tun kannst auch wenn du - May 02 2023

web einfacher und erfolgreicher studieren mit mini aktionen buch von reichel tim schnelle lieferung keine zeit zum studieren

50 dinge die du fur dein studium tun kannst auch pdf viola - Jul 24 2022

web now is 50 dinge die du fur dein studium tun kannst auch pdf below erziehungswissenschaftlich denken und arbeiten birte egloff 2022 08 10 was bedeutet es erziehungswissenschaftlich zu denken und zu arbeiten wie können studierende in den reflexiven umgang mit wissen und in die praxen erziehungswissenschaftlichen fragens

50 dinge die du fur dein studium tun kannst auch pdf georg - Oct 27 2022

web jun 16 2023 herausforderungen rund um das wissenschaftliche arbeiten im studium der aufbau des buches und seine

inhalte orientieren sich dabei eng am studienverlauf und den fragen von studierenden 50 dinge die du für dein studium tun kannst auch wenn du keine zeit hast tim reichel 2016 10 10 18 geburtstag matthias burger 2021 07 22

50 dinge die du für dein studium tun kannst auch pdf georg - May 22 2022

web may 15 2023 obsession currently this 50 dinge die du für dein studium tun kannst auch pdf as one of the most full of zip sellers here will utterly be accompanied by the best options to review die 7 wege zur effektivität für studenten sean covey 2018 10 10 in seinem klassiker die 7 wege zur effektivität liefert stephen r covey prinzipien und

50 dinge die du für dein studium tun kannst auch pdf full - Sep 25 2022

web draußen warten auf dich viele erlebnisse von denen du wünschtest du hättest sie viel früher erlebt sichere dir jetzt ein exemplar damit dir nie wieder ideen oder möglichkeiten ausgehen die du für deine selbsterfüllung auch tatsächlich umsetzt 500 dinge die du vor deinem 50 geburtstag erlebt haben musst von 0 auf 100 in 26 jahren

50 dinge die du für dein studium tun kannst auch 2022 - Apr 01 2023

web 50 dinge die du für dein studium tun kannst auch wenn du keine zeit hast entwicklung des paulinischen lehrbegriffes mit hinsicht auf die übrigen schriften des neuen testamentes ein exegetisch dogmatischer versuch zweyte vermehrte und verbesserte ausgabe die metaphysik und das gute eingeordnete freiheit paulys real

50 dinge die du für dein studium tun kannst auch pdf viola - Jan 30 2023

web jun 15 2023 eng am studienverlauf und den fragen von studierenden 50 dinge die du für dein studium tun kannst auch wenn du keine zeit hast tim reichel 2016 traktat von der malerei leonardo da vinci 1909 unizürich 1995 jugend und studium 1918 1927 hans pfeifer 2019 07 18 von den erlebnissen des zwölfjährigen im letzten kriegsjahr bis

50 dinge die du für dein studium tun kannst auch - Feb 28 2023

web 50 dinge die du für dein studium tun kannst auch dr love und die schüchterne forelle mar 07 2021 schon 28 jahre alt hat timo singer noch nie in seinem leben eine freundin gehabt er ist schüchterner als eine forelle vor dem köderfisch in gegenwart attraktiver frauen beschleunigt sich sein herzschatz

50 dinge die du für dein studium tun kannst auch pdf georg - Jun 22 2022

web zu erstellen die du im leben erleben möchtest warum eine bucket list für dich unerlässlich ist und wie du dir auch wirklich vornimmst deine ziele in die tat umzusetzen warum das reisen in fernen ländern deinen horizont erweitert wie du durch ausprobieren verschiedenster gerichte und tätigkeiten die wahren geschmäcker des lebens

50 dinge die du für dein studium tun kannst auch pdf georg - Nov 27 2022

web jun 30 2023 das richtige system ist du dich auf deine rente freust geld für dich ein Übel ist oder reiche menschen und unternehmer für dich betrüger sind bist du bereit drei bis vier jahre deines lebens zu opfern um dann so zu leben wie alle es sich erträumen du kannst dir deine träume erfüllen jeder kann es bist du bereit den

was kann man studieren wenn man dumm ist gutefrage - Aug 25 2022

web apr 28 2022 hallo leute ich komme nächstes jahr in die oberstufe und bin ohne zu lernen eine durchschnittliche schülerin mein traum seit einem jahr ist es medizin zu studieren mein vater denkt auch dass ich es schaffen kann aber meine mutter erlaubt mir nicht medizin zu studieren oder generell zu studieren

50 dinge die du fur dein studium tun kannst auch pdf viola - Apr 20 2022

web jun 12 2023 dein studium tun kannst auch pdf but end up in harmful downloads rather than reading a good book with a cup of coffee in the afternoon instead they are facing with some harmful bugs inside their computer

50 dinge die du für dein studium tun kannst auch wenn du - Sep 06 2023

web in diesem buch stelle ich dir 50 kleine dinge vor die du für dein studium tun kannst obwohl du eigentlich gar keine zeit hast 50 erprobte schritte die wenig zeitaufwand erfordern aber deine arbeitsweise revolutionieren werden ich zeige dir wie du in nur wenigen minuten mehr für dein studium tun kannst als sonst in einer ganzen woche

50 dinge die du für dein studium tun kannst auch wenn du - Jul 04 2023

web nov 12 2016 mit mini aktionen zum erfolg in diesem buch stelle ich dir 50 kleine dinge vor die du für dein studium tun kannst obwohl du eigentlich gar keine zeit hast 50 erprobte schritte die wenig zeitaufwand erfordern aber

50 dinge die du für dein studium tun kannst auch wenn du - Dec 29 2022

web jun 11 2023 motivierende zitate und sprüche für deinen erfolg brief an mein kind was ich mir für dich netmoms de 50 dinge die du für dein studium tun kannst auch wenn du 50 dinge die ich mal tun möchte im leben kostenloses für studenten allmaxx de 15

50 dinge die du fur dein studium tun kannst auch download - Feb 16 2022

web 50 dinge die du fur dein studium tun kannst auch von kopftüchern und scheuklappen jan 03 2021 die idee zu diesem buch entstand durch die ermunterung meiner frau und einiger freunde meine memoiren zu schreiben ich habe immer schon notizen geschrieben über die politischen ereignisse und die öffentlichen diskussionen

50 dinge die du fur dein studium tun kannst auch pdf georg - Mar 20 2022

web jun 16 2023 50 dinge die du für dein studium tun kannst auch wenn du keine zeit hast tim reichel 2016 morgenpost 1873 studien und berufsplaner mathematik springer fachmedien wiesbaden 2014 12 02 mathematik ist eine schlüsseltechnologie für technik und wirtschaft dies ist eine wichtige botschaft bei der vermittlung von

project 2013 quick start guide microsoft support - Aug 04 2023

web project 2013 quick start guide project professional 2013 project standard 2013 if you re new to project 2013 this free guide offers useful tips to help you find your way around need a guide for a different office product download other office 2013 quick start guides

download project 2013 sdk from official microsoft download center - Mar 19 2022

web microsoft the microsoft project 2013 software development kit contains documentation code samples how to articles and programming references to help customize and integrate the project 2013 clients and project server 2013 with other applications for enterprise project management

project 2013 for beginners part 1 an introduction to using ms project - Feb 27 2023

web oct 30 2014 project 2013 for beginners part 1 an introduction to using ms project 2013 simon sez it 509k subscribers subscribe 778 403k views 8 years ago microsoft project 2013 training for

deploy project server 2013 project server microsoft learn - Jul 23 2022

web apr 27 2023 install and configure deploy project server 2013 article 04 27 2023 3 contributors feedback summary a list of articles about how to install project server 2013 in a server farm environment applies to project server 2013 this series of articles describes the steps necessary to install project server 2013 in a server farm environment

quick start guides for project online and project server 2013 - Sep 05 2023

web quick start guides for project online and project server 2013 these downloadable pdfs are designed to help you get started with project online and project server 2013 to download a guide right click the title or image and then choose save target as

getting started introduction to project management microsoft - Sep 24 2022

web the two go hand in hand this overview points you to information about understanding project management and how to use those concepts in project in this article history of project management project management basics connect with other project users history of project management

program management made easy using project server 2013 - Mar 31 2023

web in this webinar we demonstrate how project server 2013 is used to manage programs a frequently misunderstood aspect of the toolset specifically this inclu

how to install project server 2013 4sysops - May 21 2022

web install and configure project server 2013 video demos and training for project server 2013 project server 2013 administrator s guide licensing microsoft project

microsoft project 2013 tutorial video beginners advanced - Jan 29 2023

web this microsoft project tutorial will teach you how to utilize the features available to you to their fullest advantage for your project management needs you start with a quick tour of the project interface to get familiar with the location of the tools you will be using

microsoft project server training microsoft project server youtube - Jun 02 2023

web want to get an overview of project online and project servers capabilities then watch this video we ll cover all the basics from the role of the executive

[getting started with the project server 2013 javascript object model](#) - Apr 19 2022

web mar 1 2022 the javascript object model for project server 2013 is defined in the ps js file which is located in the default path programfiles common files microsoft shared web server extensions 15 template layouts on the application server project server 2013 also installs the ps debug js file in the same location

project training microsoft support - Jul 03 2023

web project server 2013 quick start additional help project help center get started with project online templates office templates need more help want more options discover community explore subscription benefits browse training courses learn how to secure your device and more microsoft 365 subscription benefits microsoft 365 training

project server documentation project server microsoft learn - Oct 06 2023

web apr 27 2023 project server provides project management work management and portfolio management capabilities for the enterprise with it organizations can effectively initiate select plan and deliver projects while tracking time and budget while also providing extensive reporting capabilities

[creating a resource plan in project server 2013 youtube](#) - Jun 21 2022

web apr 24 2014 an overview of the reasons behind and the steps to create a resource plan in project server 2013

[download microsoft project professional 2013 and project server 2013](#) - Feb 15 2022

web nov 15 2012 microsoft project professional 2013 microsoft project server 2013 additional downloads microsoft visio professional 2013 microsoft sharepoint 2013

project server architecture microsoft learn - Nov 26 2022

web feb 22 2022 project server 2013 integrates project management functionality throughout a sharepoint farm and enables the use of project online with a client side object model csom and an odata interface for the reporting data project server 2013 is a multitiered system that extends the architecture introduced in office project server 2007

[project 2013 developer documentation microsoft learn](#) - Aug 24 2022

web feb 22 2022 project server 2013 is built on the microsoft net framework 4 and microsoft sharepoint server 2013 the articles and samples in this sdk provide a starting place for developing custom solutions and apps they do not address all programmability features of project server or project professional

microsoft project 2013 essential training linkedin - Dec 28 2022

web apr 18 2013 this course covers setting up project files creating tasks assigning resources working with views and using baseline calculations to track progress plus learn how to report project

use project server project server microsoft learn - May 01 2023

web apr 27 2023 operational policies in project server 2013 add sharepoint task list data to project server 2013 project server 2013 administrator s guide summary how to use server settings in project web app to administer an installation of project server

project server 2013 introduction youtube - Oct 26 2022

web epmsolutions com in this demonstration you will get a peak at the new features and user interface of microsoft project server 2013 epm solutions f

download free ocr chemistry 2014 controlled assessment - Mar 18 2022

web ocr chemistry 2014 controlled assessment bioinspired catechol based systems chemistry and applications jan 19 2022 this book is a printed edition of the special issue bioinspired catechol based systems chemistry and applications that was published in biomimetics out of equilibrium supra molecular systems and materials dec 18 2021

ebook ocr chemistry 2014 controlled assessment - Sep 04 2023

web ocr chemistry 2014 controlled assessment nucleation of minerals precursors intermediates and their use in materials chemistry sep 13 2020 this book is a printed edition of the special issue nucleation of minerals precursors intermediates and their use in materials chemistry that was published in minerals encyclopedia of food

ocr chemistry 2014 controlled assessment - Mar 30 2023

web ocr chemistry 2014 controlled assessment ocr chemistry 2014 controlled assessment ocr gcse biology coursework mark scheme ocr gcse computing controlled assessment a452 validating controlled assessment student criteria by watfordduck the method aqa controlled assessment preparation youtube ocr

ocr a chemistry module 4 revision notes teaching resources - Apr 18 2022

web dec 22 2020 basic concepts of organic chemistry revision notes all my ocr a chemistry module 4 revision notes on core organic chemistry and analysis tes paid licence how can i reuse this report this resource to let us know if it violates our terms and conditions our customer service team will review your report and will be in touch not

ocr chemistry 2014 controlled assessment pdf pdf - Nov 25 2022

web may 19 2023 download free ocr chemistry 2014 controlled assessment web ocr chemistry 2014 controlled assessment bioinspired catechol based systems chemistry and applications jan 19 2022 this book is a printed edition of the special issue bioinspired catechol based systems

ocr chemistry 2014 controlled assessment 2022 wrbb neu - Sep 23 2022

web ocr chemistry 2014 controlled assessment 1 ocr chemistry 2014 controlled assessment this is likewise one of the factors by obtaining the soft documents of this ocr chemistry 2014 controlled assessment by online you might not require more

mature to spend to go to the ebook introduction as with ease as search for them in some cases you

ocr chemistry 2014 controlled assessment pdf renewalcc - Jul 22 2022

web 4 ocr chemistry 2014 controlled assessment 2023 07 03 driven acquisitions pda model how to solve the dilemma of resource sharing with e books and how to manage pda in the consortial environment see what patron use of e books reveals about reading habits and disciplinary differences finally in the case study section discover how to promote

ocr chemistry 2014 controlled assessment ncaa copy - May 20 2022

web ocr chemistry 2014 controlled assessment yeah reviewing a books ocr chemistry 2014 controlled assessment could accumulate your close connections listings this is just one of the solutions for you to be successful as understood talent does not recommend that you have fantastic points

ocr chemistry a level module 4 revision notes - Dec 27 2022

web notes made straight to the specification with the specification points written in this is everything you need to know for module 4 of the ocr chemistry course topics included basic concepts of organic chemistry alkanes

ocr chemistry 2014 controlled assessment jetpack theaoi - Jan 28 2023

web ocr chemistry 2014 controlled assessment deadlines for coursework and controlled assessment teachers and exams officers can find deadlines for submitting coursework and controlled assessment to us here

twenty first century science suite gcse chemistry a ocr - Jun 01 2023

web 4 1 overview of the assessment in gcse chemistry a 66 4 2 tiers 67 4 3 assessment objectives aos 67 4 4 grading and awarding grades 68 4 5 grade descriptions 69 4 6 quality of written communication 70 5 1 introduction to controlled assessment tasks 71 5 2 nature of controlled assessment tasks 72

ocr as chemistry revision checklist teaching resources - Oct 25 2022

web feb 22 2018 doc 334 kb 2015 new specification checklist for as chemistry i used a previous old specification format i downloaded from tes can't remember the user but thanks hope its useful

ocr chemistry 2014 controlled assessment pdf willowwoodco - Jun 20 2022

web mar 8 2023 it is your totally own become old to fake reviewing habit in the course of guides you could enjoy now is ocr chemistry 2014 controlled assessment pdf below cambridge advanced learner's dictionary klett version kate woodford

ocr chemistry 2014 controlled assessment wrbb neu - Aug 23 2022

web you could buy guide ocr chemistry 2014 controlled assessment or acquire it as soon as feasible you could quickly download this ocr chemistry 2014 controlled assessment after getting deal

[ocr chemistry 2014 controlled assessment orientation sutd.edu](#) - Aug 03 2023

web ocr chemistry 2014 controlled assessment as one of the greater part operating sellers here will totally be accompanied

by by the best selections to review it will definitely misuse the duration

ocr chemistry 2014 controlled assessment pdf bexpert udh - Apr 30 2023

web said the ocr chemistry 2014 controlled assessment is universally compatible later than any devices to read ocr chemistry 2014 controlled assessment 2021 05 12

ocr chemistry 2014 controlled assessment domainlookup org - Jul 02 2023

web ocr chemistry 2014 controlled assessment this is likewise one of the factors by obtaining the soft documents of this ocr chemistry 2014 controlled assessment by online you might not require more get older to spend to go to the book foundation as skillfully as search for them

as and a level chemistry a h032 h432 ocr - Oct 05 2023

web ocr as and a level chemistry a from 2015 qualification information including specification exam materials teaching resources learning resources

ocr chemistry 2014 controlled assessment - Feb 26 2023

web ocr controlled assessment paper helicopters hypothesis april 29th 2018 more related with ocr controlled assessment

paper helicopters answers 2014 chemistry matter change assessment answers conceptual physics

ocr chemistry 2014 controlled assessment uniport edu - Feb 14 2022

web aug 5 2023 download and install ocr chemistry 2014 controlled assessment correspondingly simple a new english grammar logical and historical introduction phonology and