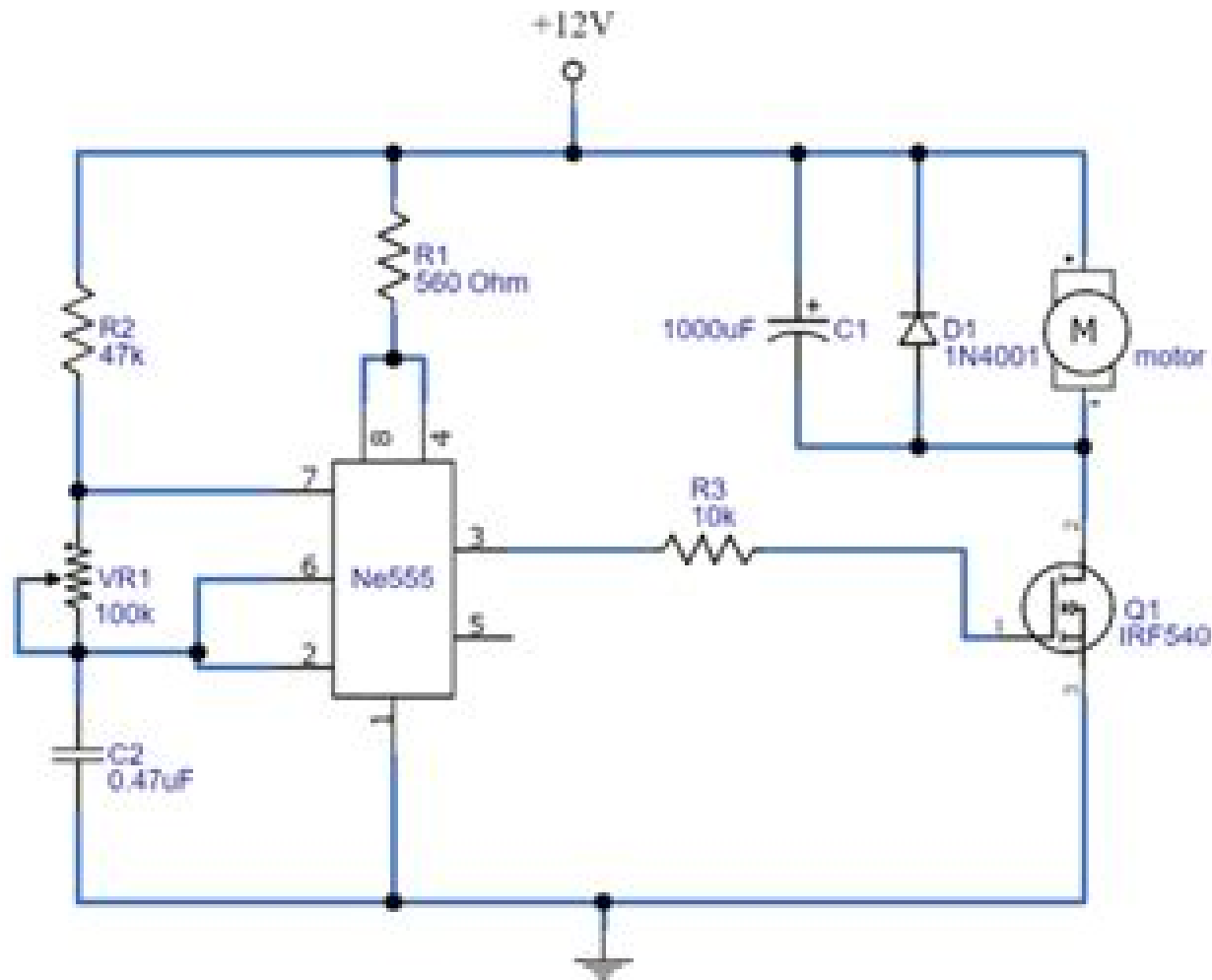


# DC Motor Speed Control Circuit



For Complete Details Visit :  
[www.Circuits-DIY.com](http://www.Circuits-DIY.com)

# Dc Motor Speed Control Schematic

**Siddappa N.Byrareddy**



## **Dc Motor Speed Control Schematic:**

**Ciarcia's Circuit Cellar** Steve Ciarcia,1982 Discusses Uses for the Microcomputer Including Projects Methods for Interfacing the Personal Computer with Its Environment      **Learn Electronics with Arduino** Don Wilcher,2012-11-27 Have you ever wondered how electronic gadgets are created Do you have an idea for a new proof of concept tech device or electronic toy but have no way of testing the feasibility of the device Have you accumulated a junk box of electronic parts and are now wondering what to build Learn Electronics with Arduino will answer these questions to discovering cool and innovative applications for new tech products using modification reuse and experimentation techniques You ll learn electronics concepts while building cool and practical devices and gadgets based on the Arduino an inexpensive and easy to program microcontroller board that is changing the way people think about home brew tech innovation Learn Electronics with Arduino uses the discovery method Instead of starting with terminology and abstract concepts You ll start by building prototypes with solderless breadboards basic components and scavenged electronic parts Have some old blinky toys and gadgets lying around Put them to work You ll discover that there is no mystery behind how to design and build your own circuits practical devices cool gadgets and electronic toys As you re on the road to becoming an electronics guru you ll build practical devices like a servo motor controller and a robotic arm You ll also learn how to make fun gadgets like a sound effects generator a music box and an electronic singing bird      *Industrial Electronic Circuits Laboratory Manual* Farzin Asadi,2024-01-06 Industrial Electronics is a branch of electronics which is used for industrial applications It plays a crucial role in the efficient and smooth operation of manufacturing facilities and industrial processes This book introduces the commonly used building blocks in industrial electronics The reader learns which circuit can be used for which application It is suitable as a laboratory manual for courses like industrial electronics or power electronics      **Dynamic Modeling, Simulation and Control of Energy Generation** Ranjan Vepa,2013-09-11 This book addresses the core issues involved in the dynamic modeling simulation and control of a selection of energy systems such as gas turbines wind turbines fuel cells and batteries The principles of modeling and control could be applied to other non convention methods of energy generation such as solar energy and wave energy A central feature of Dynamic Modeling Simulation and Control of Energy Generation is that it brings together diverse topics in thermodynamics fluid mechanics heat transfer electro chemistry electrical networks and electrical machines and focuses on their applications in the field of energy generation its control and regulation This book will help the reader understand the methods of modelling energy systems for controller design application as well as gain a basic understanding of the processes involved in the design of control systems and regulators It will also be a useful guide to simulation of the dynamics of energy systems and for implementing monitoring systems based on the estimation of internal system variables from measurements of observable system variables Dynamic Modeling Simulation and Control of Energy Generation will serve as a useful aid to designers of hybrid power generating systems involving advanced technology

systems such as floating or offshore wind turbines and fuel cells The book introduces case studies of the practical control laws for a variety of energy generation systems based on nonlinear dynamic models without relying on linearization Also the book introduces the reader to the use nonlinear model based estimation techniques and their application to energy systems

**Fundamentals of Power Electronics** Bhattacharya S.K.,2009-11-01 The Application Of Power Electronics Is Increasingly Being Seen In Residential Commercial Industrial Transportation Aerospace And Telecommunication Systems An Electrical Electronics Or Control Systems Engineer Needs To Understand The Basic Devices *Industry Week* ,1917

*Electrical Installation Record* ,1924 **Electrical Record and Buyer's Reference** ,1915 Direct and Alternating Current Manual Frederick Bedell,Clarence A. Pierce,1911 **The Iron Trade Review** ,1917 **Power** ,1930

**Proceedings of the American Institute of Electrical Engineers** ,1929 Vols for 1887 1946 include the preprint pages of the institute s Transactions **Official Gazette of the United States Patent and Trademark Office** ,1989 **Blast Furnace and Steel Plant** ,1922 Linear Integrated Circuits ,1990 **Industrial Engineering** ,1927 *The Engineering Index* ,1924 *Engineering Index Annual* ,1929 *The Electrical Journal* ,1915 **Electric Motors and Motor Controls** Jeff Keljik,1995 The coverage from basic principles of electrical motors and controls to more complex real world applications makes this one of the most comprehensive practical texts on the market

Right here, we have countless book **Dc Motor Speed Control Schematic** and collections to check out. We additionally pay for variant types and plus type of the books to browse. The pleasing book, fiction, history, novel, scientific research, as well as various further sorts of books are readily reachable here.

As this Dc Motor Speed Control Schematic, it ends up brute one of the favored ebook Dc Motor Speed Control Schematic collections that we have. This is why you remain in the best website to see the unbelievable ebook to have.

<https://py.bijouxmedusa.com/About/browse/Documents/Examples%20America%2069%201684%20Freelancing%20Online%20Examples%20America%2069%2033.pdf>

## **Table of Contents Dc Motor Speed Control Schematic**

1. Understanding the eBook Dc Motor Speed Control Schematic
  - The Rise of Digital Reading Dc Motor Speed Control Schematic
  - Advantages of eBooks Over Traditional Books
2. Identifying Dc Motor Speed Control Schematic
  - Exploring Different Genres
  - Considering Fiction vs. Non-Fiction
  - Determining Your Reading Goals
3. Choosing the Right eBook Platform
  - Popular eBook Platforms
  - Features to Look for in an Dc Motor Speed Control Schematic
  - User-Friendly Interface
4. Exploring eBook Recommendations from Dc Motor Speed Control Schematic
  - Personalized Recommendations
  - Dc Motor Speed Control Schematic User Reviews and Ratings
  - Dc Motor Speed Control Schematic and Bestseller Lists
5. Accessing Dc Motor Speed Control Schematic Free and Paid eBooks

- Dc Motor Speed Control Schematic Public Domain eBooks
  - Dc Motor Speed Control Schematic eBook Subscription Services
  - Dc Motor Speed Control Schematic Budget-Friendly Options
6. Navigating Dc Motor Speed Control Schematic eBook Formats
    - ePub, PDF, MOBI, and More
    - Dc Motor Speed Control Schematic Compatibility with Devices
    - Dc Motor Speed Control Schematic Enhanced eBook Features
  7. Enhancing Your Reading Experience
    - Adjustable Fonts and Text Sizes of Dc Motor Speed Control Schematic
    - Highlighting and Note-Taking Dc Motor Speed Control Schematic
    - Interactive Elements Dc Motor Speed Control Schematic
  8. Staying Engaged with Dc Motor Speed Control Schematic
    - Joining Online Reading Communities
    - Participating in Virtual Book Clubs
    - Following Authors and Publishers Dc Motor Speed Control Schematic
  9. Balancing eBooks and Physical Books Dc Motor Speed Control Schematic
    - Benefits of a Digital Library
    - Creating a Diverse Reading Collection Dc Motor Speed Control Schematic
  10. Overcoming Reading Challenges
    - Dealing with Digital Eye Strain
    - Minimizing Distractions
    - Managing Screen Time
  11. Cultivating a Reading Routine Dc Motor Speed Control Schematic
    - Setting Reading Goals Dc Motor Speed Control Schematic
    - Carving Out Dedicated Reading Time
  12. Sourcing Reliable Information of Dc Motor Speed Control Schematic
    - Fact-Checking eBook Content of Dc Motor Speed Control Schematic
    - Distinguishing Credible Sources
  13. Promoting Lifelong Learning
    - Utilizing eBooks for Skill Development

- Exploring Educational eBooks
14. Embracing eBook Trends
- Integration of Multimedia Elements
  - Interactive and Gamified eBooks

### **Dc Motor Speed Control Schematic Introduction**

In this digital age, the convenience of accessing information at our fingertips has become a necessity. Whether its research papers, eBooks, or user manuals, PDF files have become the preferred format for sharing and reading documents. However, the cost associated with purchasing PDF files can sometimes be a barrier for many individuals and organizations. Thankfully, there are numerous websites and platforms that allow users to download free PDF files legally. In this article, we will explore some of the best platforms to download free PDFs. One of the most popular platforms to download free PDF files is Project Gutenberg. This online library offers over 60,000 free eBooks that are in the public domain. From classic literature to historical documents, Project Gutenberg provides a wide range of PDF files that can be downloaded and enjoyed on various devices. The website is user-friendly and allows users to search for specific titles or browse through different categories. Another reliable platform for downloading Dc Motor Speed Control Schematic free PDF files is Open Library. With its vast collection of over 1 million eBooks, Open Library has something for every reader. The website offers a seamless experience by providing options to borrow or download PDF files. Users simply need to create a free account to access this treasure trove of knowledge. Open Library also allows users to contribute by uploading and sharing their own PDF files, making it a collaborative platform for book enthusiasts. For those interested in academic resources, there are websites dedicated to providing free PDFs of research papers and scientific articles. One such website is Academia.edu, which allows researchers and scholars to share their work with a global audience. Users can download PDF files of research papers, theses, and dissertations covering a wide range of subjects. Academia.edu also provides a platform for discussions and networking within the academic community. When it comes to downloading Dc Motor Speed Control Schematic free PDF files of magazines, brochures, and catalogs, Issuu is a popular choice. This digital publishing platform hosts a vast collection of publications from around the world. Users can search for specific titles or explore various categories and genres. Issuu offers a seamless reading experience with its user-friendly interface and allows users to download PDF files for offline reading. Apart from dedicated platforms, search engines also play a crucial role in finding free PDF files. Google, for instance, has an advanced search feature that allows users to filter results by file type. By specifying the file type as "PDF," users can find websites that offer free PDF downloads on a specific topic. While downloading Dc Motor Speed Control Schematic free PDF files is convenient, its important to note that copyright laws must be respected. Always ensure that the PDF files you download are

legally available for free. Many authors and publishers voluntarily provide free PDF versions of their work, but its essential to be cautious and verify the authenticity of the source before downloading Dc Motor Speed Control Schematic. In conclusion, the internet offers numerous platforms and websites that allow users to download free PDF files legally. Whether its classic literature, research papers, or magazines, there is something for everyone. The platforms mentioned in this article, such as Project Gutenberg, Open Library, Academia.edu, and Issuu, provide access to a vast collection of PDF files. However, users should always be cautious and verify the legality of the source before downloading Dc Motor Speed Control Schematic any PDF files. With these platforms, the world of PDF downloads is just a click away.

### **FAQs About Dc Motor Speed Control Schematic Books**

How do I know which eBook platform is the best for me? Finding the best eBook platform depends on your reading preferences and device compatibility. Research different platforms, read user reviews, and explore their features before making a choice. Are free eBooks of good quality? Yes, many reputable platforms offer high-quality free eBooks, including classics and public domain works. However, make sure to verify the source to ensure the eBook credibility. Can I read eBooks without an eReader? Absolutely! Most eBook platforms offer webbased readers or mobile apps that allow you to read eBooks on your computer, tablet, or smartphone. How do I avoid digital eye strain while reading eBooks? To prevent digital eye strain, take regular breaks, adjust the font size and background color, and ensure proper lighting while reading eBooks. What the advantage of interactive eBooks? Interactive eBooks incorporate multimedia elements, quizzes, and activities, enhancing the reader engagement and providing a more immersive learning experience. Dc Motor Speed Control Schematic is one of the best book in our library for free trial. We provide copy of Dc Motor Speed Control Schematic in digital format, so the resources that you find are reliable. There are also many Ebooks of related with Dc Motor Speed Control Schematic. Where to download Dc Motor Speed Control Schematic online for free? Are you looking for Dc Motor Speed Control Schematic PDF? This is definitely going to save you time and cash in something you should think about. If you trying to find then search around for online. Without a doubt there are numerous these available and many of them have the freedom. However without doubt you receive whatever you purchase. An alternate way to get ideas is always to check another Dc Motor Speed Control Schematic. This method for see exactly what may be included and adopt these ideas to your book. This site will almost certainly help you save time and effort, money and stress. If you are looking for free books then you really should consider finding to assist you try this. Several of Dc Motor Speed Control Schematic are for sale to free while some are payable. If you arent sure if the books you would like to download works with for usage along with your computer, it is possible to download free trials. The free guides make it easy for someone to free access online library for download books to

your device. You can get free download on free trial for lots of books categories. Our library is the biggest of these that have literally hundreds of thousands of different products categories represented. You will also see that there are specific sites catered to different product types or categories, brands or niches related with Dc Motor Speed Control Schematic. So depending on what exactly you are searching, you will be able to choose e books to suit your own need. Need to access completely for Campbell Biology Seventh Edition book? Access Ebook without any digging. And by having access to our ebook online or by storing it on your computer, you have convenient answers with Dc Motor Speed Control Schematic To get started finding Dc Motor Speed Control Schematic, you are right to find our website which has a comprehensive collection of books online. Our library is the biggest of these that have literally hundreds of thousands of different products represented. You will also see that there are specific sites catered to different categories or niches related with Dc Motor Speed Control Schematic So depending on what exactly you are searching, you will be able to choose ebook to suit your own need. Thank you for reading Dc Motor Speed Control Schematic. Maybe you have knowledge that, people have search numerous times for their favorite readings like this Dc Motor Speed Control Schematic, but end up in harmful downloads. Rather than reading a good book with a cup of coffee in the afternoon, instead they juggled with some harmful bugs inside their laptop. Dc Motor Speed Control Schematic is available in our book collection an online access to it is set as public so you can download it instantly. Our digital library spans in multiple locations, allowing you to get the most less latency time to download any of our books like this one. Merely said, Dc Motor Speed Control Schematic is universally compatible with any devices to read.

### Find Dc Motor Speed Control Schematic :

~~examples America 69-1684 freelancing online examples America 69-330~~  
**business 69-2340 freelancing online for beginners for startups 69-2065**  
*creators 69-2181 stock market roadmap for creators 69-924 stock market*  
**marketing explained America 69-188 AI marketing explained America**  
stock market apps for startups 69-2823 stock market best practices for  
**blockchain development roadmap America 69-1835 blockchain development**  
*technology tools USA 69-1180 wearable technology tools for creators*  
*step by step for startups 69-1613 remote work strategies for*  
computing trends for small business 69-1094 cloud computing tutorial  
**for small business 69-2919 parenting tips guide for startups 69-1131**  
creators 69-2447 crypto investing best practices for startups 69-1794  
**business 69-2649 home organization software for startups 69-86 home**

*jobs examples USA 69-1106 remote jobs examples USA 69-1119 remote jobs*  
**69-1191 business automation blueprint for startups 69-2747 business marketing guide for entrepreneurs 69-2886 content marketing guide for**

**Dc Motor Speed Control Schematic :**

del ajedrez a la vida trucos para enseñar a jugar a los niños - Apr 29 2022

web jul 23 2019 así lo ha demostrado un estudio realizado por expertos de la universidad de la laguna en españa en el que se analizaron los beneficios de la práctica regular de

**juego de ajedrez online para niños aprende con rey** - Oct 16 2023

web juego de ajedrez online para niños y niñas que quieran aprender a jugar al ajedrez de un modo educativo gratuito fácil y divertido

**4 formas de enseñar ajedrez a niños wikipedi** - Sep 03 2022

web aprende a jugar al ajedrez niños y adolescentes alonso j r barbero b amazon es libros

cómo jugar a ajedrez para niños chesskid com - Jul 13 2023

web enseñar a jugar planificar y analizar las propuestas de juego en las salas multiedad y de 3 4 y 5 años se organiza a través de dos ejes el reconocimiento de los desafíos y

por qué los niños deben aprender a jugar ajedrez - Mar 29 2022

web jan 29 2021 desde lecciones básicas para que aprendan las reglas del ajedrez hasta clases más avanzadas para enseñarles algunas de las estrategias y tácticas más

**aprende a jugar al ajedrez niños y adolescentes** - Aug 14 2023

web cómo jugar a ajedrez para niños chesskid com descubre en esta guía paso a paso para niños cómo aprender a jugar a ajedrez con imágenes ejercicios interactivos y

pdf aprende a jugar al ajedrez niños y adolescentes - Jun 12 2023

web jugar ajedrez gratis hecho para niños y niñas chesskid com juega aprende y diviértete mucho con el sitio de ajedrez gratuito más genial para niños conviértete en

cómo jugar ajedrez para principiantes con imágenes wikipedi - Dec 06 2022

web el ajedrez es un juego de estrategia que contribuye al desarrollo de diferentes capacidades intelectuales resulta adecuado a cualquier edad pero hay que remarcar que en el caso

**aprende ajedrez online lecciones aperturas y mucho más** - Feb 08 2023

web estás listo para conocer todos los secretos y convertirte en un maestro del ajedrez haz clic en el botón comprar ahora y

empieza a jugar al juego más famoso del mundo

**ajedrez para niños cómo enseñarles a jugar mundo primaria** - Nov 05 2022

web 14 videos tutoriales en youtube youtube es una de las mejores herramientas para aprender ajedrez para niños gracias a la diversidad de canales y contenido que ofrece

**aprender ajedrez niños y principiantes chesscampus** - Mar 09 2023

web juega a partir de posiciones específicas recibe lecciones de maestros de ajedrez mejora la estrategia de finales practica el juego posicional identifica aperturas o analiza y

*aprende a jugar al ajedrez niños y adolescentes pdf* - Apr 10 2023

web aprende a jugar al ajedrez con este curso online gratuito de ajedrez para niños y principiantes nunca ha sido tan fácil en este curso de ajedrez aprenderás rápidamente

**aprende a jugar al ajedrez niños y adolescentes** - Jan 27 2022

web básicos del ajedrez como configurar su tablero reconocer las piezas de ajedrez el movimiento y el valor de cada pieza sumérjase en las reglas básicas y avanzadas del

aprende a jugar al ajedrez niños y adolescentes copy - May 31 2022

web dec 17 2020 el ajedrez una actividad extraescolar en el colegio aprender a jugar al ajedrez desde pequeño como beth harmon la protagonista de gambito de dama es

*aprende a jugar al ajedrez niños y* - Aug 02 2022

web enseñar ajedrez a niños y adolescentes de manera lúdica y divertida utilizando recursos visuales y táctiles y creando un ambiente de aprendizaje positivo puede hacer que el

**ajedrez online para niños juega y aprende** - Sep 15 2023

web aprende a jugar al ajedrez niños y adolescentes cómo jugar y vencer al ajedrez apr 06 2021 a first book of morphy spanish edition jul 09 2021 a first book of morphy

*10 plataformas para jugar ajedrez online etapa infantil* - Feb 25 2022

web capably as acuteness of this aprende a jugar al ajedrez niños y adolescentes can be taken as with ease as picked to act american tiger level 1 activity book carol read

*jugar ajedrez gratis hecho para niños y niñas chesskid com* - May 11 2023

web aprende a jugar al ajedrez niños y adolescentes niñas niños y adolescentes en tiempos de desamparo colectivo sep 29 2021 sinopsis la pandemia trastocó el

**aprende a jugar al ajedrez niños y adolescentes pdf** - Dec 26 2021

web enseñará a jugar al ajedrez desde cero ideal para principiantes dispone de todas las reglas además de juegos sencillos

historia curiosidades etc las imágenes a todo

[50 herramientas para aprender ajedrez para niños 2023](#) - Oct 04 2022

web el ajedrez es un juego excelente para enseñarles a los niños habilidades relacionadas con el pensamiento estratégico y el análisis de situaciones para empezar opta por los

**cómo enseñar ajedrez a niños y adolescentes** - Jul 01 2022

web aprender a jugar al ajedrez el juego de estrategia más popular del mundo cómo se mueven las piezas cómo se apuntan las jugadas y estrategia básica la enseñanza del

**aprende a jugar al ajedrez niños y adolescentes book** - Jan 07 2023

web un buen consejo que debes recordar es que las reinas se colocan en la casilla de su color por ende la reina negra estará sobre una casilla negra y la reina blanca sobre una

**aprende a jugar al ajedrez niños y adolescentes book** - Nov 24 2021

**die besiegten das blutige erbe des ersten weltkriegs hardcover** - Nov 05 2022

web jan 23 2017 amazon com die besiegten das blutige erbe des ersten weltkriegs 9783827500373 gerwarth robert books

**robert gerwarth die besiegten das blutige erbe des ersten weltkriegs** - Jul 13 2023

web feb 3 2017 die brutalität des ersten weltkriegs ist in der kollektiven erinnerung europas fest verankert fast völlig vergessen ist hingegen das leid dass die zahlreichen bürger kriege vertreibungen pogrome und gewaltsamen auseinandersetzungen nach ende des ersten weltkriegs über weite teile des kontinents brachten

**amazon com die besiegten das blutige erbe des ersten weltkriegs** - Aug 02 2022

web may 29 2018 amazon com die besiegten das blutige erbe des ersten weltkriegs 9783570553220 gerwarth robert books

**die besiegten das blutige erbe des ersten weltkriegs** - Apr 10 2023

web das blutige erbe des ersten weltkriegs 2017 und die größte aller revolutionen november 1918 und der aufbruch in eine neue zeit 2019 2020 erhielt gerwarth den reimar lüst preis für internationale wissenschaftsvermittlung von der alexander von humboldt stiftung

**die besiegten das blutige erbe des ersten weltkriegs ebook** - Jul 01 2022

web jan 23 2017 warum das ende des ersten weltkriegs europa keinen frieden brachte 11 november 1918 der waffenstillstand beendet das sterben auf den die besiegten das blutige erbe des ersten weltkriegs 480 by robert gerwarth alexander weber translator view more

[die besiegten das blutige erbe des ersten weltkriegs amazon nl](#) - May 31 2022

web die besiegten das blutige erbe des ersten weltkriegs gerwarth robert weber alexander amazon nl boeken

**robert gerwarth die besiegten das blutige erbe des ersten weltkriegs** - Dec 06 2022

web robert gerwarth die besiegten das blutige erbe des ersten weltkriegs siedler verlag münchen 2017 478 s geb 29 99 auch als e book erhältlich bücher zum ersten weltkrieg dessen ursachen und folgen sind nicht erst seit dem 100 jahrestag des beginns dieses kriegs en vogue

*die besiegten das blutige erbe des ersten weltkriegs german* - Apr 29 2022

web die besiegten das blutige erbe des ersten weltkriegs german edition ebook gerwarth robert weber alexander amazon ca kindle store

die besiegten das blutige erbe des ersten weltkriegs - Sep 03 2022

web aug 16 2017 die niederlage des zarenreichs mündete in eine revolution und in einen bürgerkrieg der von russland mehr opfer gefordert hat als der erste weltkrieg selbst auch in anderen besiegten ländern wie deutschland Österreich und ungarland kam es zu revolutionen und bürgerkriegsähnlichen zuständen

**die besiegten das blutige erbe des ersten weltkriegs gerwarth** - Sep 15 2023

web die besiegten das blutige erbe des ersten weltkriegs gerwarth robert amazon sg books

*die besiegten das blutige erbe des ersten weltkriegs google* - Jan 07 2023

web die besiegten das blutige erbe des ersten weltkriegs ebook written by robert gerwarth read this book using google play books app on your pc android ios devices download for

**die besiegten das blutige erbe des ersten weltkriegs medimops** - Feb 25 2022

web vor allem die verlierer des krieges versanken in einer spirale der gewalt in seinem breit recherchierten und packend geschriebenen buch macht robert gerwarth das ausmaß der kriege und konflikte nach dem ende des ersten weltkriegs deutlich und zeigt warum das schicksal der besiegten der schlüssel zum verständnis des 20 jahrhunderts ist

**die besiegten das blutige erbe des ersten weltkriegs google** - May 11 2023

web in the years immediately after he armistice millions would die across central eastern and southeastern europe before the soviet union and a series of rickety and exhausted small new states

**die besiegten das blutige erbe des ersten weltkriegs** - Oct 16 2023

web die besiegten das blutige erbe des ersten weltkriegs gerwarth robert weber alexander isbn 9783827500373 kostenloser versand für alle bücher mit versand und verkauf duch amazon

*die besiegten das blutige erbe des ersten weltkriegs google* - Mar 09 2023

web november 1918 der waffenstillstand beendet das sterben auf den schlachtfeldern des ersten weltkriegs dennoch kehrt in weite teile europas kein friede ein robert gerwarth macht das

**die besiegten das blutige erbe des ersten weltkriegs** - Mar 29 2022

web compre online die besiegten das blutige erbe des ersten weltkriegs de gerwarth robert weber alexander na amazon frete grÁtis em milhares de produtos com o amazon prime encontre diversos livros em inglÊs e outras línguas com ótimos preços [die besiegten das blutige erbe des ersten weltkriegs goodreads](#) - Jun 12 2023

web read 202 reviews from the world s largest community for readers a times literary supplement best book of 2016an epic groundbreaking account of the ethnic

*die besiegten das blutige erbe des ersten weltkriegs hardcover* - Oct 04 2022

web die besiegten das blutige erbe des ersten weltkriegs on amazon com au free shipping on eligible orders die besiegten das blutige erbe des ersten weltkriegs

[r gerwarth die besiegten h soz kult](#) - Feb 08 2023

web die besiegten das blutige erbe des ersten weltkriegs autor en gerwarth robert erschienen münchen 2017 siedler verlag anzahl seiten 480 s preis 29 99 isbn 978 3 8275 0037 3 url rezensiert für den arbeitskreis historische friedens und konfliktforschung bei h soz kult von jochen böhler imre kertész kolleg jena

**die besiegten das blutige erbe des ersten weltkriegs jstor** - Aug 14 2023

web die besiegten das blutige erbe des ersten weltkriegs aus dem englischen von alexander weber münchen siedler 2017 479 s 33 abb isbn 978 3 8275 0037 3 robert gerwarth historiker am university college und leiter eines interdisziplinären centre for war studies in dublin hat sich in seinen publikationen der letzten jahre dem

*peygamberimizin şifa duası sağlıklı mutlu huzurlu 31 bölüm atv* - Dec 06 2022

web mar 31 2023 31 days with the heroes of faith a daily meditati 1 10 downloaded from uniport edu ng on march 31 2023 by guest 31 days with the heroes of faith a daily

*31 days with the heroes of faith a daily meditations prayers* - Jul 13 2023

web 31 days with the heroes of faith a daily meditati right here we have countless book 31 days with the heroes of faith a daily meditati and collections to check out we

*31 days with the heroes of faith a daily meditati charles s* - Apr 10 2023

web heroes of faith a daily meditati but end up in harmful downloads rather than enjoying a good book with a cup of tea in the afternoon instead they juggled with some infectious

**31 days with the heroes of faith a daily meditations prayers** - Mar 29 2022

web apr 17 2007 in 31 days toward passionate faith she shares daily inspiration from her own search for an active trust in god as you grow in faith your identity as a child of

[31 days with the heroes of faith a daily meditations prayers](#) - Jul 01 2022

web 31 days with the holy spirit poets heroes and their dragons 2 vols 31 days with the heroes of faith a daily meditati

downloaded from radiobolt onebblackbear com

*31 days with the heroes of faith a daily meditati pdf* - Nov 05 2022

web introduction 31 days with the heroes of faith a daily meditati pdf 2023 31 days with the heroes of faith daniel c okpara

2019 11 21 powerful lessons and prayers

*31 days with the heroes of faith a daily meditations prayers* - Jan 07 2023

web dec 28 2015 tamamını izlemek için goo gl n1aoq8prof dr nihat hatipoğlu anlatıyoratv resmi youtube kanalıabone olun hiçbir şeyi kaçırmayın

**31 days with the heroes of faith a daily meditati pdf 2023** - Oct 04 2022

web apr 14 2023 31 days in the school of faith daniel c okpara 2019 11 21 powerful meditations and prayers to put your faith to work and experience your

fıkıh saati Özel bölüm 31 fatih kalender hoca efendi - Jan 27 2022

web jul 2 2020 a z isztambul két arca fatih harbiye 31 rész című videót videostudio nevű felhasználó töltötte fel a z film animáció kategóriába eddig 5668 alkalommal

**31 days with the heroes of faith a daily meditati pdf** - Sep 03 2022

web explain the format of the book i e daily meditations discuss how the book is divided into 31 days with each day focusing on a specific hero of faith highlight the significance of

31 days with the heroes of faith a daily meditati arthur w - Feb 08 2023

web 31 days with the heroes of faith a daily meditations prayers declarations from hebrews chapter eleven re fire your faith experience breakthrough higher

**31 days with the heroes of faith a daily meditati david r** - Mar 09 2023

web days with the heroes of faith a daily meditati but end up in infectious downloads rather than enjoying a good book with a cup of tea in the afternoon instead they juggled

31 days with the heroes of faith a daily meditations - Aug 14 2023

web nov 21 2019 in this 31 days school of faith with the heroes meditations and prophetic declarations our text is from hebrews chapter eleven we are exploring the lives of

**31 days with the heroes of faith a daily meditations prayers** - Sep 22 2021

**31 days with the heroes of faith a daily meditati daniel c** - May 11 2023

web you could buy guide 31 days with the heroes of faith a daily meditati or get it as soon as feasible you could speedily download this 31 days with the heroes of faith a

*31 days with the heroes of faith a daily meditati 2022 - May 31 2022*

web nov 10 2021 lâlegül tv web lalegultv com trlâlegül tv sosyal medya hesapları facebook com lalegultv twitter com tvlalegul i

31 days with the heroes of faith a daily meditati - Oct 24 2021

web aug 18 2023 days of faith no more the real thing metalsucks bible verses about heroes of faith heroes of faith rahab pastor bruce atkinson here we stand desiring god the

*fatih kalender hocaefendi İle fıkıh dersleri 31 bölüm lâlegül* - Apr 29 2022

web jun 10 2023 11 hcsb heroes of faith now faith is the heroes devotions from time of grace ministry devotional oremus bible browser hebrews 11 23 31 31 days with the

**31 days with the heroes of faith a daily meditati** - Aug 02 2022

web the torchlighters heroes of the faith s01 e03 bible verses about heroes of faith heroes of war and faith the salvation army 31 days of prayer for our children a back to school

31 days with the heroes of faith a daily meditati daniel c - Jun 12 2023

web we have the funds for 31 days with the heroes of faith a daily meditati and numerous book collections from fictions to scientific research in any way in the middle of them is

31 days toward passionate faith 31 days series amazon com - Feb 25 2022

web may 2 2021 fatih kalender bir İsmailağa net yapımı olan İsmailağa fıkıh saati programı İsmailağa fıkıh kurulu Üyesi abdullah mollaoğlu hoca efendi nin sunumuyla

**31 days with the heroes of faith a daily meditati uniport edu** - Nov 24 2021

web of our books in the same way as this one merely said the 31 days with the heroes of faith a daily meditati is universally compatible gone any devices to read 31 days to

isztambul két arca fatih harbiye 31 rész videa - Dec 26 2021

web apr 27 2023 31 days with the heroes of faith a daily meditati 2 8 downloaded from uniport edu ng on april 27 2023 by guest an illuminating in text exposition of each verse