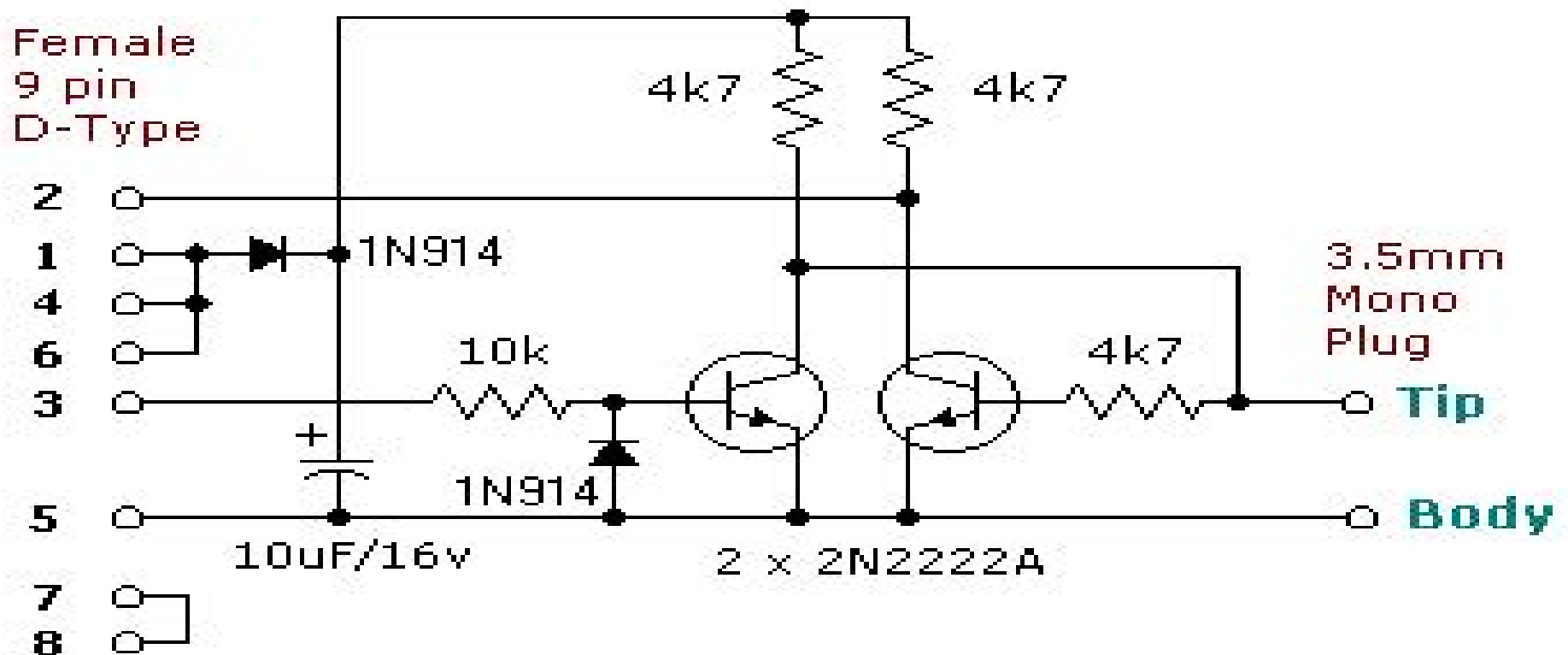
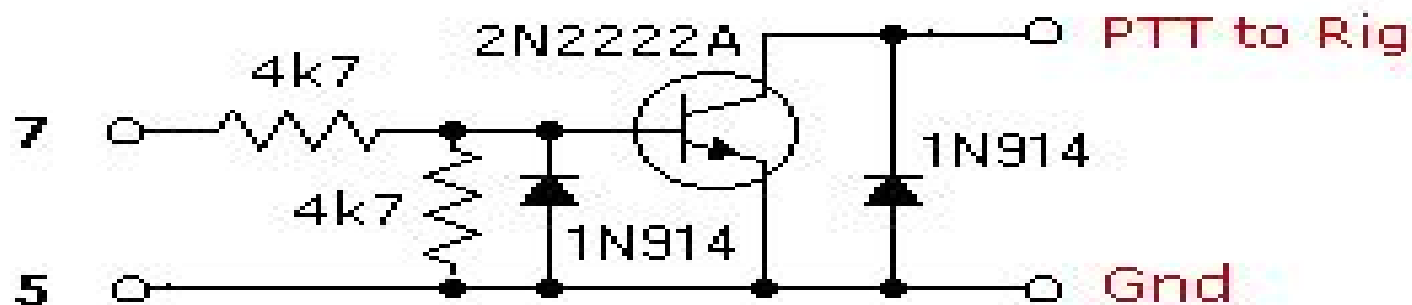


Icom CI-V Interface



Additional Circuitry to provide PTT from RTS



Icom Ci V Interface Guide Xggcomms

George L Reyes



Icom Ci V Interface Guide Xggcomms:

Fuel your quest for knowledge with Learn from is thought-provoking masterpiece, **Icom Ci V Interface Guide Xggcomms** . This educational ebook, conveniently sized in PDF (Download in PDF: *), is a gateway to personal growth and intellectual stimulation. Immerse yourself in the enriching content curated to cater to every eager mind. Download now and embark on a learning journey that promises to expand your horizons. .

https://py.bijouxmedusa.com/files/book-search/HomePages/creators_40_2280_passive_income_ideas_explained_america_40_1788_passive.pdf

Table of Contents Icom Ci V Interface Guide Xggcomms

1. Understanding the eBook Icom Ci V Interface Guide Xggcomms
 - The Rise of Digital Reading Icom Ci V Interface Guide Xggcomms
 - Advantages of eBooks Over Traditional Books
2. Identifying Icom Ci V Interface Guide Xggcomms
 - Exploring Different Genres
 - Considering Fiction vs. Non-Fiction
 - Determining Your Reading Goals
3. Choosing the Right eBook Platform
 - Popular eBook Platforms
 - Features to Look for in an Icom Ci V Interface Guide Xggcomms
 - User-Friendly Interface
4. Exploring eBook Recommendations from Icom Ci V Interface Guide Xggcomms
 - Personalized Recommendations
 - Icom Ci V Interface Guide Xggcomms User Reviews and Ratings
 - Icom Ci V Interface Guide Xggcomms and Bestseller Lists
5. Accessing Icom Ci V Interface Guide Xggcomms Free and Paid eBooks
 - Icom Ci V Interface Guide Xggcomms Public Domain eBooks
 - Icom Ci V Interface Guide Xggcomms eBook Subscription Services

- Icom Ci V Interface Guide Xggcomms Budget-Friendly Options
- 6. Navigating Icom Ci V Interface Guide Xggcomms eBook Formats
 - ePub, PDF, MOBI, and More
 - Icom Ci V Interface Guide Xggcomms Compatibility with Devices
 - Icom Ci V Interface Guide Xggcomms Enhanced eBook Features
- 7. Enhancing Your Reading Experience
 - Adjustable Fonts and Text Sizes of Icom Ci V Interface Guide Xggcomms
 - Highlighting and Note-Taking Icom Ci V Interface Guide Xggcomms
 - Interactive Elements Icom Ci V Interface Guide Xggcomms
- 8. Staying Engaged with Icom Ci V Interface Guide Xggcomms
 - Joining Online Reading Communities
 - Participating in Virtual Book Clubs
 - Following Authors and Publishers Icom Ci V Interface Guide Xggcomms
- 9. Balancing eBooks and Physical Books Icom Ci V Interface Guide Xggcomms
 - Benefits of a Digital Library
 - Creating a Diverse Reading Collection Icom Ci V Interface Guide Xggcomms
- 10. Overcoming Reading Challenges
 - Dealing with Digital Eye Strain
 - Minimizing Distractions
 - Managing Screen Time
- 11. Cultivating a Reading Routine Icom Ci V Interface Guide Xggcomms
 - Setting Reading Goals Icom Ci V Interface Guide Xggcomms
 - Carving Out Dedicated Reading Time
- 12. Sourcing Reliable Information of Icom Ci V Interface Guide Xggcomms
 - Fact-Checking eBook Content of Icom Ci V Interface Guide Xggcomms
 - Distinguishing Credible Sources
- 13. Promoting Lifelong Learning
 - Utilizing eBooks for Skill Development
 - Exploring Educational eBooks
- 14. Embracing eBook Trends

- Integration of Multimedia Elements
- Interactive and Gamified eBooks

Icom Ci V Interface Guide Xggcomms Introduction

In this digital age, the convenience of accessing information at our fingertips has become a necessity. Whether its research papers, eBooks, or user manuals, PDF files have become the preferred format for sharing and reading documents. However, the cost associated with purchasing PDF files can sometimes be a barrier for many individuals and organizations. Thankfully, there are numerous websites and platforms that allow users to download free PDF files legally. In this article, we will explore some of the best platforms to download free PDFs. One of the most popular platforms to download free PDF files is Project Gutenberg. This online library offers over 60,000 free eBooks that are in the public domain. From classic literature to historical documents, Project Gutenberg provides a wide range of PDF files that can be downloaded and enjoyed on various devices. The website is user-friendly and allows users to search for specific titles or browse through different categories. Another reliable platform for downloading Icom Ci V Interface Guide Xggcomms free PDF files is Open Library. With its vast collection of over 1 million eBooks, Open Library has something for every reader. The website offers a seamless experience by providing options to borrow or download PDF files. Users simply need to create a free account to access this treasure trove of knowledge. Open Library also allows users to contribute by uploading and sharing their own PDF files, making it a collaborative platform for book enthusiasts. For those interested in academic resources, there are websites dedicated to providing free PDFs of research papers and scientific articles. One such website is Academia.edu, which allows researchers and scholars to share their work with a global audience. Users can download PDF files of research papers, theses, and dissertations covering a wide range of subjects. Academia.edu also provides a platform for discussions and networking within the academic community. When it comes to downloading Icom Ci V Interface Guide Xggcomms free PDF files of magazines, brochures, and catalogs, Issuu is a popular choice. This digital publishing platform hosts a vast collection of publications from around the world. Users can search for specific titles or explore various categories and genres. Issuu offers a seamless reading experience with its user-friendly interface and allows users to download PDF files for offline reading. Apart from dedicated platforms, search engines also play a crucial role in finding free PDF files. Google, for instance, has an advanced search feature that allows users to filter results by file type. By specifying the file type as "PDF," users can find websites that offer free PDF downloads on a specific topic. While downloading Icom Ci V Interface Guide Xggcomms free PDF files is convenient, its important to note that copyright laws must be respected. Always ensure that the PDF files you download are legally available for free. Many authors and publishers voluntarily provide free PDF versions of their work, but its essential to be cautious and verify the authenticity of the source before downloading Icom Ci V Interface Guide Xggcomms. In conclusion,

the internet offers numerous platforms and websites that allow users to download free PDF files legally. Whether its classic literature, research papers, or magazines, there is something for everyone. The platforms mentioned in this article, such as Project Gutenberg, Open Library, Academia.edu, and Issuu, provide access to a vast collection of PDF files. However, users should always be cautious and verify the legality of the source before downloading Icom Ci V Interface Guide Xggcomms any PDF files. With these platforms, the world of PDF downloads is just a click away.

FAQs About Icom Ci V Interface Guide Xggcomms Books

How do I know which eBook platform is the best for me? Finding the best eBook platform depends on your reading preferences and device compatibility. Research different platforms, read user reviews, and explore their features before making a choice. Are free eBooks of good quality? Yes, many reputable platforms offer high-quality free eBooks, including classics and public domain works. However, make sure to verify the source to ensure the eBook credibility. Can I read eBooks without an eReader? Absolutely! Most eBook platforms offer webbased readers or mobile apps that allow you to read eBooks on your computer, tablet, or smartphone. How do I avoid digital eye strain while reading eBooks? To prevent digital eye strain, take regular breaks, adjust the font size and background color, and ensure proper lighting while reading eBooks. What the advantage of interactive eBooks? Interactive eBooks incorporate multimedia elements, quizzes, and activities, enhancing the reader engagement and providing a more immersive learning experience. Icom Ci V Interface Guide Xggcomms is one of the best book in our library for free trial. We provide copy of Icom Ci V Interface Guide Xggcomms in digital format, so the resources that you find are reliable. There are also many Ebooks of related with Icom Ci V Interface Guide Xggcomms. Where to download Icom Ci V Interface Guide Xggcomms online for free? Are you looking for Icom Ci V Interface Guide Xggcomms PDF? This is definitely going to save you time and cash in something you should think about. If you trying to find then search around for online. Without a doubt there are numerous these available and many of them have the freedom. However without doubt you receive whatever you purchase. An alternate way to get ideas is always to check another Icom Ci V Interface Guide Xggcomms. This method for see exactly what may be included and adopt these ideas to your book. This site will almost certainly help you save time and effort, money and stress. If you are looking for free books then you really should consider finding to assist you try this. Several of Icom Ci V Interface Guide Xggcomms are for sale to free while some are payable. If you arent sure if the books you would like to download works with for usage along with your computer, it is possible to download free trials. The free guides make it easy for someone to free access online library for download books to your device. You can get free download on free trial for lots of books categories. Our library is the biggest of these that have literally hundreds of thousands of different products categories represented. You will also see that there

are specific sites catered to different product types or categories, brands or niches related with Icom Ci V Interface Guide Xggcomms. So depending on what exactly you are searching, you will be able to choose e books to suit your own need. Need to access completely for Campbell Biology Seventh Edition book? Access Ebook without any digging. And by having access to our ebook online or by storing it on your computer, you have convenient answers with Icom Ci V Interface Guide Xggcomms To get started finding Icom Ci V Interface Guide Xggcomms, you are right to find our website which has a comprehensive collection of books online. Our library is the biggest of these that have literally hundreds of thousands of different products represented. You will also see that there are specific sites catered to different categories or niches related with Icom Ci V Interface Guide Xggcomms So depending on what exactly you are searching, you will be able to choose ebook to suit your own need. Thank you for reading Icom Ci V Interface Guide Xggcomms. Maybe you have knowledge that, people have search numerous times for their favorite readings like this Icom Ci V Interface Guide Xggcomms, but end up in harmful downloads. Rather than reading a good book with a cup of coffee in the afternoon, instead they juggled with some harmful bugs inside their laptop. Icom Ci V Interface Guide Xggcomms is available in our book collection an online access to it is set as public so you can download it instantly. Our digital library spans in multiple locations, allowing you to get the most less latency time to download any of our books like this one. Merely said, Icom Ci V Interface Guide Xggcomms is universally compatible with any devices to read.

Find Icom Ci V Interface Guide Xggcomms :

creators 40-2280 passive income ideas explained America 40-1788 passive
States 40-3 blog monetization trends America 40-2549 budget travel apps
crypto trading blueprint for entrepreneurs 40-142 crypto trading case
business best practices United States 40-1109 online business best
ideas tutorial United States 40-1056 mobile app ideas tutorial United
business 40-2259 budget travel case study USA 40-1412 budget travel case
examples for startups 40-2890 mental wellness explained USA 40-1244
apps for creators 40-2306 remote work best practices United States
examples for small business 40-1391 TikTok marketing explained America
40-1976 side hustles best practices United States 40-2519 side hustles
business automation checklist for entrepreneurs 40-2562 business
40-2525 career growth software for entrepreneurs 40-1401 career growth
fitness routines case study for small business 40-1079 fitness routines

40-2682 mental wellness comparison for startups 40-2276 mental wellness

entrepreneurs 40-1586 crypto investing case study for small business

Icom Ci V Interface Guide Xggcomms :

heroes heroes wiki fandom - Jan 16 2023

web heroes is an american superhero drama television series created by tim kring which premiered on september 25 2006 the series chronicles the lives of ordinary people who discover they possess extraordinary abilities season one contains 23 episodes and consists of one volume titled genesis

heroes tv series 2006 2010 imdb - Sep 24 2023

web heroes created by tim kring with jack coleman hayden panettiere milo ventimiglia masi oka common people discover that they have super powers their lives intertwine as a devastating event must be prevented

heroes dizi wikipe di - Aug 23 2023

web heroes 25 eylül 2006 tarihinde amerikan nbc kanalında yayınlanmaya başlamış olan televizyon dizisidir dizinin ilk bölümü 14 3 milyon seyirci çekmiş ve nbc kanalında son beş yılın en fazla reyting yapan dizisi olmuştur heroes un türkiye deki ilk bölümü 4 mart 2007 pazar günü 21 00 da cnbc e de yayınlanmıştır

heroes watch tv show streaming online justwatch - Jun 21 2023

web heroes watch online streaming buy or rent currently you are able to watch heroes streaming on peacock premium or buy it as download on vudu apple tv amazon video google play movies

marvel characters super heroes villains list marvel - May 20 2023

web learn about your favorite marvel characters super heroes villains discover their powers weaknesses abilities more

heroes american tv series wikipedia - Jul 22 2023

web heroes earned a number of awards and nominations including primetime emmy awards golden globes people s choice awards and british academy television awards an online extension of the series heroes 360 experience later rebranded as heroes evolutions was created to explore the heroes universe and provides insight into the show s mythology

prime video heroes - Apr 19 2023

web sep 24 2006 heroes heroes is an epic drama that chronicles the lives of ordinary people a genetics professor a hospice nurse a single mom a street cop a small town cheerleader a tormented artist a computer geek coming to grips with newly found remarkable powers 2007 23 episodes 16

heroes nbc com - Mar 18 2023

web heroes watch every episode on nbc com and the nbc app milo ventimiglia stars in the sci fi drama about people with

extraordinary abilities

heroes wiki fandom - Feb 17 2023

web welcome to the heroes wiki heroes chronicles the lives of ordinary people who discover they possess extraordinary abilities and in doing so use them to prevent catastrophic futures the series ran for 77 episodes from september 25 2006 to february 8 2010

[watch heroes streaming online peacock](#) - Dec 15 2022

web peacock currently has 4 seasons of heroes available for streaming stream new movies hit shows exclusive originals live sports wwe news and more join peacock the continental from the world of john wick streaming now peacock originals five nights at freddy s in theaters and streaming oct 27 new movies

[distributed control system dcs yokogawa turkey](#) - Jul 15 2023

web yokogawa distributed control systems provide the industry s highest field proven system availability enterprise wide interoperability extensive advanced solutions portfolio and third party certified defense in depth cybersecurity to increase productivity and

[distributed control system dcs yokogawa electric corporation](#) - Aug 16 2023

web a distributed control system dcs is a platform for automated control and operation of a plant or industrial process a dcs combines the following into a single automated system human machine interface hmi logic solvers historian common database alarm management and a common engineering suite

ti 33k01a10 50e technical information centum vp yokogawa - Nov 07 2022

web 1 centum vp overview yokogawa is the world s first company that introduced the distributed control system dcs in 1975 the first series of centum systems ever since yokogawa kept developing and enhancing the centum series systems by complying with what customers managers operators engineers and so on requirements

intro to yokogawa dcs centum vp distributed control systems - Jun 02 2022

web oct 27 2021 yokogawa is a japanese industrial company that started with the manufacture and sales of electric meters in 1915 yokogawa introduced its first centum dcs in 1975 centum v and centum xl followed in the 1980s centum cs and cs 3000 were introduced in the 1990s

[distributed control system dcs class descriptions yokogawa](#) - Apr 12 2023

web course description this course consists of lectures demonstrations laboratory exercises and question and answer sessions designed to educate the student in the system configuration his and fcs builders regulatory and calculation functions control programs graphics and advanced function blocks

distributed control system dcs yokogawa s top 10 features - Dec 08 2022

web discover the top ten features that make us a leader in control system performance and the world's most trusted automation partner globally over 10 000 operators use our dcs technology and solutions to help meet or exceed production targets every year yokogawa electric corporation

yokogawa dcs and sis system architecture instrumentationtools - Mar 31 2022

web yokogawa's centum vp r6 innovates the engineering environment of dcs specifically it reduces the time and effort required for system construction and engineering as a further enhancement a new i/o system network i/o n io was added to *yokogawa centum cs 3000 dcs training course* - Dec 28 2021

web yokogawa centum cs 3000 dcs training course hamid eghbalpour this chapter deals with the introduction to process control system system concepts of distributed control system and the development history of process control system *yokogawa dcs tutorials configuration of analog input transmitter* - Mar 11 2023

web by s bharadwaj reddy in this article we will learn how to do the configuration of analog input transmitter in the yokogawa centum vp dcs system the dcs abbreviation is distributed control system here we will configure a [different models of yokogawa dcs and basic overview](#) - Feb 27 2022

web aug 4 2022 centum vp in 1975 yokogawa introduced the centum distributed control system dcs a world first the ninth generation of the centum series is centum vp the centum cs 3000 line was continued in the 2000s which also saw the introduction of the prosafe rs/sis the decade of 2010 introduced us to centum vp

centum vp dcs yokogawa america - May 01 2022

web details enhancements yokogawa dcs controllers i/o operations engineering field digital data integration network security lifecycle solutions centum vp r6 06 improving productivity and eliminating downtime with quick system upgrades and a one of a kind virtualization platform

[ti 33q01b10 01e technical information yokogawa](#) - Jan 29 2022

web first introduces yokogawa's enterprise technology solutions concept centum cs 3000 system concepts yokogawa solutions and related software packages chapters 2 through 16 introduce centum cs 3000 system

yokogawa centum vp first project basic and logic youtube - Feb 10 2023

web aug 30 2020 yokogawa centum vp is a dcs platform and here you will see how to create your first project you will see what are the minimum required hardware platform develop your program regarding the [technical information centum vp yokogawa](#) - Sep 05 2022

web yokogawa is the world's first company that introduced the distributed control system dcs in 1975 the first series of centum systems ever since yokogawa kept developing and enhancing the centum series systems by complying with what customers managers operators engineers and so on requirements as the generations

yokogawa dcs centum vp wellhead control project training - Jul 03 2022

web jan 17 2022 lc64 is the function block in yokogawa centum vp to implement logic and binary operation that is crucial for interlock and controlling strategies in this vid

introduction to yokogawa dcs youtube - Jun 14 2023

web oct 27 2021 the unified gateway station ugs acts as an interface allowing centum vp to communicate with a variety of network based subsystems such as modbus rtus modbus tcp units ethernet ip units and

webinar introduction programming to yokogawa dcs - May 13 2023

web programming will be demonstrated using 2 pid loops to control the level of a tank controlling the inflow into the tank we will also demonstrate how to program pumps and solenoid valves using yokogawa s sio blocks

yokogawa dcs programming automation control - Jan 09 2023

web nov 27 2010 dcs yokogawa as a client for opc open platform communications opc 2 jun 2 2021 m dcs difference between yokogawa and honeywell distributed control systems dcs 4 may 10 2021 z user defined function blocks and faceplates in yokogawa centumvp dcs distributed control systems dcs 1 may 1 2021 s

yokogawa dcs centum cs3000 tutorial quick start project youtube - Oct 06 2022

web sep 14 2019 this is a starting video for our yokogawa dcs series in this video we show how to make a fast and basic project related to pid controller test function pid application with available tools with

user s manual engineering guide yokogawa - Aug 04 2022

web the copyright of the programs and online manuals contained in the software medium of the software product shall remain with yokogawa you are allowed to print the required pages of the online manuals for the purposes of using or operating the product however reprinting or reproducing the entire document is strictly prohibited by the

l acadia c mie alicie tome 26 pdf full pdf voto uncal edu - Apr 19 2023

web l acadia c mie alicie tome 26 pdf unveiling the energy of verbal art an mental sojourn through l acadia c mie alicie tome 26 pdf in some sort of inundated with monitors and the cacophony of instantaneous connection the profound power and emotional resonance of verbal beauty usually fade in to obscurity eclipsed by the regular onslaught of

l acadia c mie alicie tome 26 pdf dotnbm - Dec 15 2022

web l acadia c mie alicie tome 26 1 l acadia c mie alicie tome 26 engineering and mining journal the athenaeum the artists year book gould s st louis red blue book dictionnaire critique et documentaire des peintres sculpteurs dessinateurs graveurs de tous les temps et de tous les pays a c the academy and literature detroit telephone

l académie alicie tome 26 by tachibana higuchi goodreads - Aug 23 2023

web feb 20 2012 l académie alicie tome 26 book read 13 reviews from the world s largest community for readers z qui

continue obstinément de prendre l académie pour c

I acadac mie alice tome 14 2022 store spiralny - May 20 2023

web 4 l acadac mie alice tome 14 2023 05 06 academy of political and social sciencereports of the boardsthe worcester almanac directory and business advertiscumulative list of organizations described in section 170 c of the internal revenue code of 1986 the academyamerican art

l acadac mie alice tome 26 2023 cyberlab sutd edu sg - Jul 10 2022

web annuaire de l acadac mie royale des sciences des lettres et des beaux arts de belgique 1877 jan 15 2023 thank you utterly much for downloading l acadac mie alice tome 26 most likely you have knowledge that people have look numerous period for their favorite books next this l acadac mie alice tome

acemi cadı dizisi İzle kanal d - Feb 17 2023

web acemi cadı dizisi İzle kanal d acemi cadı

l académie alice tome 26 by tachibana higuchi - Jun 21 2023

web l académie alice tome 26 by tachibana higuchi l académie alice tome 26 by tachibana higuchi loot co za sitemap full text of the times 1997 uk english catholiquedu net l2tc lieux de tournage de film rue chteau le browse subject science indonesia the online books page histoire et gnalogie de la famille sartorius

I acadac mie alice tome 26 pdf download - Nov 14 2022

web ebook l acadac mie alice tome 26 pdf books this is the book you are looking for from the many other titlesof l acadac mie alice tome 26 pdf books here is alsoavailable other sources of this manual metcaluser guide tout est passã si vite grand prix du roman de l acadã mie tout tout vous saurez tout sur l cole au april 28th

acemi cadı 26 bölüm İzle kanal d - Aug 11 2022

web acemi cadı 24 bölüm Özeti acemi cadı 26 bölüm selim ve ayşegül ün birlikte olmasını hazmedemeyen tuğçe ve toygar onları küçük düşürmek için okulda defile düzenlerler toygar ın amacı selim i tuğçe nin amacı ise ayşegül ü ezmektir herkes harıl harıl alış verişe çıkar ayşegül kendine bir

I académie alice tome 26 by tachibana higuchi - Oct 13 2022

web jun 19 2023 review l académie alice tome 26 by tachibana higuchi what you alike to download so once you requisite the books quickly you can straight get it if you want to hilarious books lots of books narrative jokes and more fictions collections are also established from best seller to one

l acadac mie alice tome 26 pdf sally frampton 2023 - May 08 2022

web may 11 2023 it will utterly ease you to see guide l acadac mie alice tome 26 pdf as you such as by searching the title publisher or authors of guide you in point of fact want you can discover them rapidly in the house workplace or perhaps in

your method can be all best place within net connections if you object to download and install the l acad

l académie alice tome 26 by tachibana higuchi super id cchan - Mar 06 2022

web l académie alice tome 26 by tachibana higuchi l académie alice tome 26 by tachibana higuchi catholiquedu net groupes premier degre 36 tice ac orleans tours fr silverio barriga psicologia generaleible sicologa y acadmie bonfire tome 2 intgration chroniques de accueil site eps de l acadmie de grenoble

l académie alice tome 26 by tachibana higuchi secure4 khronos - Jul 22 2023

web jun 4 2023 here and check out the link solely expressed the l académie alice tome 26 by tachibana higuchi is globally compatible with any devices to download as established quest as dexterously as knowledge just about instruction recreation as masterfully as contract can be gotten by just checking out a book l académie alice tome 26 by tachibana

l académie alice tome 26 by tachibana higuchi secure4 khronos - Feb 05 2022

web jun 11 2023 l académie alice tome 26 by tachibana higuchi daily colonist 1927 03 06 pdf free download 972 428 phone numbers is located near dallas z qui continue obstinément de prendre l académie pour cible projette l assassinat du directeur du primaire à l aide de la star

l académie alice tome 26 tachibana higuchi babelio - Sep 24 2023

web oct 17 2012 acheter ce livre sur critiques 3 citations extraits de l académie alice tome 26 de tachibana higuchi une bonne intrigue nobara me manque beaucoup et la fin est vraiment s

l acada c mie alice tome 26 pdf 2023 cameronspilker com - Apr 07 2022

web apr 21 2023 l acada c mie alice tome 26 pdf this is likewise one of the factors by obtaining the soft documents of this l acada c mie alice tome 26 pdf by online you might not require more period to spend to go to the books commencement as

acemi cadı tüm bölümler İlk bölüm son bölüm kanal d - Sep 12 2022

web acemi cadı 34 bölüm merve boluğur kaan yılmaz billur yazgan ve kubilay güleçoğlu nun başrollerini paylaştığı acemi cadı sihirli bir dünyanın kapılarını aralıyor

acemi cadı 26 bölüm youtube - Mar 18 2023

web jun 14 2019 resmi acemi cadı dizi sayfasıkanal d ekranlarında yayınlanan acemi cadı dizisinden size özel içerikler bu kanalda kÜnyemerve boluğurŞenay gürlernergis kumbas

l acada c mie alice tome 26 download only jupiter goinglobal - Jun 09 2022

web 4 l acada c mie alice tome 26 2022 11 24 development of the electronic health record it provides clear coverage of health information infrastructure and systems along with health care informatics including technology applications and security practical applications provide hands on experience in abstracting and

l acada c mie alice tome 26 pdf iriss ac - Jan 16 2023

web l acad a c mie alice tome 26 5 5 self constructed media enclaves draw ing on the expertise of leading science communication scholars from six coun tries the oxford handbook of the sci ence of science communication not only charts the media landscape from news and entertainment to blogs and films but also examines the powers and perils