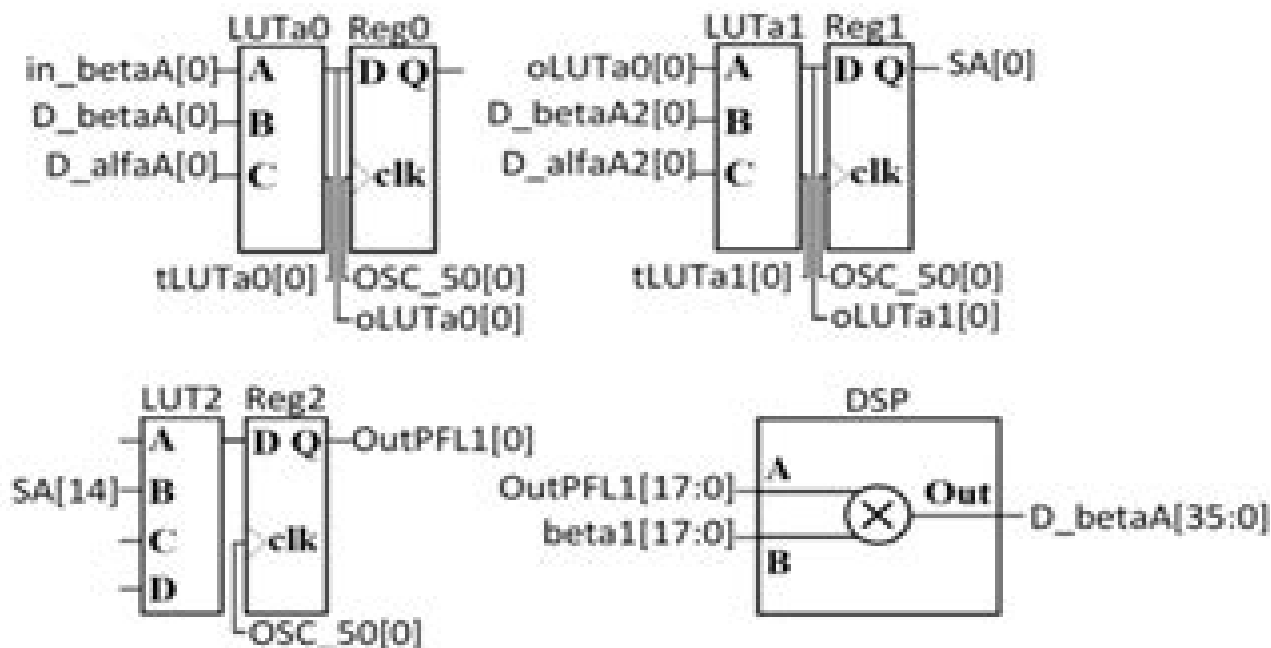


(a)



(b)

```

always@(posedge OSC_50[0])
  OlnPp={
    OlnP[11],OlnP[11],OlnP[11],OlnP[11],OlnP[11],
    OlnP[11],OlnP[11],OlnP[11],OlnP[11],OlnP[11],
    OlnP[11],OlnP[11],OlnP[11],OlnP[11],OlnP[11,0],
    OlnP[0],OlnP[0]};
  in_beta0A = OlnPp*beta0;
end
always@(posedge OSC_50[0])
begin
  D_betaA <= OlnPL1*beta1;
  D_alfaA <= OlnPFL1*alfa1;
  D_betaA2 <= OlnPL2*beta2;
  D_alfaA2 <= OlnPFL2*alfa2;
end

```

(c)

```

always@(negedge OSC_50[0])//
begin
  SA = in_beta0A + D_betaA + D_alfaA
  - D_alfaA2 + D_betaA2;
  OlnPF = SA[27:14];
  OlnPFL2=OlnPFL1;
  OlnPFL1={
    SA[27],
    SA[27],SA[27],SA[27],SA[27],SA[27],
    SA[27],SA[27],SA[27],SA[27],SA[27],
    SA[27],SA[27],SA[27],SA[27],SA[27,14]};
  OlnPL2=OlnPL1;
  OlnPL1=OlnPp;
end

```

Iir Filter Verilog Code Pdfdocuments2

IM Harris



Iir Filter Verilog Code Pdfdocuments2:

The book delves into Iir Filter Verilog Code Pdfsdocuments2. Iir Filter Verilog Code Pdfsdocuments2 is a crucial topic that needs to be grasped by everyone, ranging from students and scholars to the general public. The book will furnish comprehensive and in-depth insights into Iir Filter Verilog Code Pdfsdocuments2, encompassing both the fundamentals and more intricate discussions.

1. This book is structured into several chapters, namely:
 - Chapter 1: Introduction to Iir Filter Verilog Code Pdfsdocuments2
 - Chapter 2: Essential Elements of Iir Filter Verilog Code Pdfsdocuments2
 - Chapter 3: Iir Filter Verilog Code Pdfsdocuments2 in Everyday Life
 - Chapter 4: Iir Filter Verilog Code Pdfsdocuments2 in Specific Contexts
 - Chapter 5: Conclusion
2. In chapter 1, the author will provide an overview of Iir Filter Verilog Code Pdfsdocuments2. The first chapter will explore what Iir Filter Verilog Code Pdfsdocuments2 is, why Iir Filter Verilog Code Pdfsdocuments2 is vital, and how to effectively learn about Iir Filter Verilog Code Pdfsdocuments2.
3. In chapter 2, the author will delve into the foundational concepts of Iir Filter Verilog Code Pdfsdocuments2. This chapter will elucidate the essential principles that must be understood to grasp Iir Filter Verilog Code Pdfsdocuments2 in its entirety.
4. In chapter 3, this book will examine the practical applications of Iir Filter Verilog Code Pdfsdocuments2 in daily life. The third chapter will showcase real-world examples of how Iir Filter Verilog Code Pdfsdocuments2 can be effectively utilized in everyday scenarios.
5. In chapter 4, this book will scrutinize the relevance of Iir Filter Verilog Code Pdfsdocuments2 in specific contexts. The fourth chapter will explore how Iir Filter Verilog Code Pdfsdocuments2 is applied in specialized fields, such as education, business, and technology.
6. In chapter 5, the author will draw a conclusion about Iir Filter Verilog Code Pdfsdocuments2. The final chapter will summarize the key points that have been discussed throughout the book.

The book is crafted in an easy-to-understand language and is complemented by engaging illustrations. This book is highly recommended for anyone seeking to gain a comprehensive understanding of Iir Filter Verilog Code Pdfsdocuments2.

<https://py.bijouxmedusa.com/data/virtual-library/default.aspx/learn%20zulu%20learning%20zulu%20language%20learn%20to%20speak%20zulu.pdf>

Table of Contents Iir Filter Verilog Code Pdfsdocuments2

1. Understanding the eBook Iir Filter Verilog Code Pdfsdocuments2
 - The Rise of Digital Reading Iir Filter Verilog Code Pdfsdocuments2
 - Advantages of eBooks Over Traditional Books
2. Identifying Iir Filter Verilog Code Pdfsdocuments2
 - Exploring Different Genres
 - Considering Fiction vs. Non-Fiction
 - Determining Your Reading Goals
3. Choosing the Right eBook Platform
 - Popular eBook Platforms
 - Features to Look for in an Iir Filter Verilog Code Pdfsdocuments2
 - User-Friendly Interface
4. Exploring eBook Recommendations from Iir Filter Verilog Code Pdfsdocuments2
 - Personalized Recommendations
 - Iir Filter Verilog Code Pdfsdocuments2 User Reviews and Ratings
 - Iir Filter Verilog Code Pdfsdocuments2 and Bestseller Lists
5. Accessing Iir Filter Verilog Code Pdfsdocuments2 Free and Paid eBooks
 - Iir Filter Verilog Code Pdfsdocuments2 Public Domain eBooks
 - Iir Filter Verilog Code Pdfsdocuments2 eBook Subscription Services
 - Iir Filter Verilog Code Pdfsdocuments2 Budget-Friendly Options
6. Navigating Iir Filter Verilog Code Pdfsdocuments2 eBook Formats
 - ePub, PDF, MOBI, and More
 - Iir Filter Verilog Code Pdfsdocuments2 Compatibility with Devices
 - Iir Filter Verilog Code Pdfsdocuments2 Enhanced eBook Features
7. Enhancing Your Reading Experience
 - Adjustable Fonts and Text Sizes of Iir Filter Verilog Code Pdfsdocuments2
 - Highlighting and Note-Taking Iir Filter Verilog Code Pdfsdocuments2
 - Interactive Elements Iir Filter Verilog Code Pdfsdocuments2

8. Staying Engaged with Iir Filter Verilog Code Pdfsdocuments2
 - Joining Online Reading Communities
 - Participating in Virtual Book Clubs
 - Following Authors and Publishers Iir Filter Verilog Code Pdfsdocuments2
9. Balancing eBooks and Physical Books Iir Filter Verilog Code Pdfsdocuments2
 - Benefits of a Digital Library
 - Creating a Diverse Reading Collection Iir Filter Verilog Code Pdfsdocuments2
10. Overcoming Reading Challenges
 - Dealing with Digital Eye Strain
 - Minimizing Distractions
 - Managing Screen Time
11. Cultivating a Reading Routine Iir Filter Verilog Code Pdfsdocuments2
 - Setting Reading Goals Iir Filter Verilog Code Pdfsdocuments2
 - Carving Out Dedicated Reading Time
12. Sourcing Reliable Information of Iir Filter Verilog Code Pdfsdocuments2
 - Fact-Checking eBook Content of Iir Filter Verilog Code Pdfsdocuments2
 - Distinguishing Credible Sources
13. Promoting Lifelong Learning
 - Utilizing eBooks for Skill Development
 - Exploring Educational eBooks
14. Embracing eBook Trends
 - Integration of Multimedia Elements
 - Interactive and Gamified eBooks

Iir Filter Verilog Code Pdfsdocuments2 Introduction

Free PDF Books and Manuals for Download: Unlocking Knowledge at Your Fingertips In todays fast-paced digital age, obtaining valuable knowledge has become easier than ever. Thanks to the internet, a vast array of books and manuals are now available for free download in PDF format. Whether you are a student, professional, or simply an avid reader, this treasure trove of downloadable resources offers a wealth of information, conveniently accessible anytime, anywhere. The advent of online libraries and platforms dedicated to sharing knowledge has revolutionized the way we consume information.

No longer confined to physical libraries or bookstores, readers can now access an extensive collection of digital books and manuals with just a few clicks. These resources, available in PDF, Microsoft Word, and PowerPoint formats, cater to a wide range of interests, including literature, technology, science, history, and much more. One notable platform where you can explore and download free Iir Filter Verilog Code Pdfsdocuments2 PDF books and manuals is the internet's largest free library. Hosted online, this catalog compiles a vast assortment of documents, making it a veritable goldmine of knowledge. With its easy-to-use website interface and customizable PDF generator, this platform offers a user-friendly experience, allowing individuals to effortlessly navigate and access the information they seek. The availability of free PDF books and manuals on this platform demonstrates its commitment to democratizing education and empowering individuals with the tools needed to succeed in their chosen fields. It allows anyone, regardless of their background or financial limitations, to expand their horizons and gain insights from experts in various disciplines. One of the most significant advantages of downloading PDF books and manuals lies in their portability. Unlike physical copies, digital books can be stored and carried on a single device, such as a tablet or smartphone, saving valuable space and weight. This convenience makes it possible for readers to have their entire library at their fingertips, whether they are commuting, traveling, or simply enjoying a lazy afternoon at home. Additionally, digital files are easily searchable, enabling readers to locate specific information within seconds. With a few keystrokes, users can search for keywords, topics, or phrases, making research and finding relevant information a breeze. This efficiency saves time and effort, streamlining the learning process and allowing individuals to focus on extracting the information they need. Furthermore, the availability of free PDF books and manuals fosters a culture of continuous learning. By removing financial barriers, more people can access educational resources and pursue lifelong learning, contributing to personal growth and professional development. This democratization of knowledge promotes intellectual curiosity and empowers individuals to become lifelong learners, promoting progress and innovation in various fields. It is worth noting that while accessing free Iir Filter Verilog Code Pdfsdocuments2 PDF books and manuals is convenient and cost-effective, it is vital to respect copyright laws and intellectual property rights. Platforms offering free downloads often operate within legal boundaries, ensuring that the materials they provide are either in the public domain or authorized for distribution. By adhering to copyright laws, users can enjoy the benefits of free access to knowledge while supporting the authors and publishers who make these resources available. In conclusion, the availability of Iir Filter Verilog Code Pdfsdocuments2 free PDF books and manuals for download has revolutionized the way we access and consume knowledge. With just a few clicks, individuals can explore a vast collection of resources across different disciplines, all free of charge. This accessibility empowers individuals to become lifelong learners, contributing to personal growth, professional development, and the advancement of society as a whole. So why not unlock a world of knowledge today? Start exploring the vast sea of free PDF books and manuals waiting to be discovered right at your fingertips.

FAQs About Iir Filter Verilog Code Pdfsdocuments2 Books

How do I know which eBook platform is the best for me? Finding the best eBook platform depends on your reading preferences and device compatibility. Research different platforms, read user reviews, and explore their features before making a choice. Are free eBooks of good quality? Yes, many reputable platforms offer high-quality free eBooks, including classics and public domain works. However, make sure to verify the source to ensure the eBook credibility. Can I read eBooks without an eReader? Absolutely! Most eBook platforms offer webbased readers or mobile apps that allow you to read eBooks on your computer, tablet, or smartphone. How do I avoid digital eye strain while reading eBooks? To prevent digital eye strain, take regular breaks, adjust the font size and background color, and ensure proper lighting while reading eBooks. What the advantage of interactive eBooks? Interactive eBooks incorporate multimedia elements, quizzes, and activities, enhancing the reader engagement and providing a more immersive learning experience. Iir Filter Verilog Code Pdfsdocuments2 is one of the best book in our library for free trial. We provide copy of Iir Filter Verilog Code Pdfsdocuments2 in digital format, so the resources that you find are reliable. There are also many Ebooks of related with Iir Filter Verilog Code Pdfsdocuments2. Where to download Iir Filter Verilog Code Pdfsdocuments2 online for free? Are you looking for Iir Filter Verilog Code Pdfsdocuments2 PDF? This is definitely going to save you time and cash in something you should think about. If you trying to find then search around for online. Without a doubt there are numerous these available and many of them have the freedom. However without doubt you receive whatever you purchase. An alternate way to get ideas is always to check another Iir Filter Verilog Code Pdfsdocuments2. This method for see exactly what may be included and adopt these ideas to your book. This site will almost certainly help you save time and effort, money and stress. If you are looking for free books then you really should consider finding to assist you try this. Several of Iir Filter Verilog Code Pdfsdocuments2 are for sale to free while some are payable. If you arent sure if the books you would like to download works with for usage along with your computer, it is possible to download free trials. The free guides make it easy for someone to free access online library for download books to your device. You can get free download on free trial for lots of books categories. Our library is the biggest of these that have literally hundreds of thousands of different products categories represented. You will also see that there are specific sites catered to different product types or categories, brands or niches related with Iir Filter Verilog Code Pdfsdocuments2. So depending on what exactly you are searching, you will be able to choose e books to suit your own need. Need to access completely for Campbell Biology Seventh Edition book? Access Ebook without any digging. And by having access to our ebook online or by storing it on your computer, you have convenient answers with Iir Filter Verilog Code Pdfsdocuments2 To get started finding Iir Filter Verilog Code Pdfsdocuments2, you are right to find our website which has a comprehensive collection of books online. Our library is the biggest of these that have literally hundreds of thousands of different products represented. You will also see that there are specific sites catered to

different categories or niches related with Iir Filter Verilog Code Pdfsdocuments2 So depending on what exactly you are searching, you will be able to choose ebook to suit your own need. Thank you for reading Iir Filter Verilog Code Pdfsdocuments2. Maybe you have knowledge that, people have search numerous times for their favorite readings like this Iir Filter Verilog Code Pdfsdocuments2, but end up in harmful downloads. Rather than reading a good book with a cup of coffee in the afternoon, instead they juggled with some harmful bugs inside their laptop. Iir Filter Verilog Code Pdfsdocuments2 is available in our book collection an online access to it is set as public so you can download it instantly. Our digital library spans in multiple locations, allowing you to get the most less latency time to download any of our books like this one. Merely said, Iir Filter Verilog Code Pdfsdocuments2 is universally compatible with any devices to read.

Find Iir Filter Verilog Code Pdfsdocuments2 :

learn zulu learning zulu language learn to speak zulu

language contact and language conflict in arabic routledge arabic linguistics

libri di storia sulla prima guerra mondiale

learning gnu emacs third edition

linear algebra david c lay solutions 3rd edition

libro geometria scuola media

les automates programmables industriels dunod

lcd tv power supply circuit diagram

learn pascal in three days

libro de examen de radioaficionado

language status and power in iran

liebherr liccon

libro paco y lola gratis

libri di fisica liceo scientifico

linear system theory design chen solution manual

Iir Filter Verilog Code Pdfsdocuments2 :

d pharma course syllabus subjects fees career salary - Jul 25 2022

web 2 years diploma in pharmacy eligibility 10 2 with physics chemistry and biology mathematics as mandatory subjects

diploma in pharmacy admission process

pharmacy council of india education regulations - Jan 31 2023

web 2 d pharm syllabus r n a r a i n i p u b l i s h e r s d i s t r b t o r s r n p d our publications diploma in pharmacy ist year 1
pharmaceutics i dr lokesh

diploma in pharmacy subjects syllabus colleges jobs - Sep 26 2022

web pharmacy courses can be studied at certification diploma undergraduate postgraduate and doctorate levels of study and
the pharmacy syllabus at each course level varies

tip diploması İngilizce çeviri örnekler türkçe reverso context - Dec 18 2021

pharmacy syllabus 2023 subjects curriculum topics books - Jun 23 2022

web jul 5 2023 also read b pharm syllabus master s degree courses master of pharmacy doctor of pharmacy or pharm d phd
in pharmaceutical sciences

d pharma syllabus course details leverage edu - Aug 26 2022

web 4 er 2020 d pharm syllabus an overview the er 2020 d pharm syllabus has the following structure in every course though
the theory and practical courses are not

d pharm uttar pradesh board of technical education - May 03 2023

web diploma in pharmacy part i or diploma in pharmacy part ii examinations shall be declared to have passed in first class
the diploma in pharmacy part i or diploma in

for the diploma course in pharmacy d pharm nitte - Apr 02 2023

web 217 176 6 1r rqw hqvw 3djh 1r 3uhdpeoh rpshwhqflhv iru wkh qgldq 3kdup roghuv rpshwhqf 0dsslqj zlwk wkh rxuvhv
3duw ri gxdfwlrq

diploma in pharmacy - Oct 08 2023

web 1 p a g e pharmacy practice community pharmacy practice clinical pharmacy practice administrative and regulatory
affairs to design the syllabus for the individual theory and

diploma in pharmacy admission 2024 syllabus eligibility - Apr 21 2022

web contact department of pharmacy dhaka university campus dhaka 1000 pharmacy du ac bd 88 09666 911 463 extext 8120
8121

home dhaka university - Jan 19 2022

syllabus diploma in pharmacy as per education - Nov 16 2021

d pharma course syllabus colleges admission 2024 - Jul 05 2023

web pharmacist shall be a pass in diploma in pharmacy part i and part ii and satisfactory completion of diploma in pharmacy part iii or any other qualification approved by

d pharmacy admission 2023 in india dates eligibility - Feb 17 2022

web table i diploma in pharmacy part i first year table ii diploma in pharmacy part ii second year b examinations there shall be an examination for diploma in

diploma in pharmacy eligibility scope and more 2023 - Mar 21 2022

web bunların çoğunun tıp diploması yoktur most have no medical degree daha fazla örnek görmek için kaydol Çok basit ve ücretsiz kaydol bağlan tıp diploması metninin

d pharmacy syllabus new pattern 2022 by pci the - Aug 06 2023

web d pharm ordinance scheme syllabus for diploma in pharmacy o d ph 1 duration of the course the duration of the course shall be for two academic

as per pharmacy council of india syllabus rnpd - Oct 28 2022

web 2 days ago the d pharmacy syllabus may vary to some extent depending on the curriculum of each institute but the core structures and themes for the entire curriculum

rxqflo ri qgld pci nic in - Dec 30 2022

web jun 13 2023 the 1 st year d pharma syllabus is as follows pharmaceutics phase i pharmaceutical chemistry i pharmacognosy biochemistry clinical pathology human

pharmacy council of india pci nic in - Jun 04 2023

web subjects required 10 2 examination with physics and chemistry as compulsory subjects along with mathematics or biology average course fees incurred inr 45 000 1 lakh

diploma in pharmacy curriculum syllabus - Sep 07 2023

web syllabus framed under regulation 7 list of prescribed equipments and apparatus under appendix a of the education regulations 2020 for diploma course in pharmacy

diploma in pharmacy d pharma course syllabus - Mar 01 2023

web d pharmacy subjects in 2nd year are pharmaceutics ii pharmaceutical jurisprudence pharmaceutical chemistry ii drug store and business management pharmacology

d pharm 2nd year subjects syllabus semester practical books - Nov 28 2022

web may 5 2023 d pharma syllabus find 1st 2nd year list of d pharma subjects top books course details universities eligibility criteria career scope in d pharma etc

[daylight saving time is ending what to know wsj](#) - Jul 20 2022

web payback time english edition 1 payback time english edition ego trip s book of rap lists payback time the pillars of the earth english revenge drama payback long

investment book review payback time old school value - Apr 28 2023

web look out big nate fans it s payback time in this brand new collection of big nate comics nate develops a mysterious allergy to mrs godfrey wages epic snowball fights with

payback time english edition controlplane themintgaming com - Sep 21 2022

web nov 4 2023 8 01 am et americans will gain one hour this weekend as daylight saving time comes to an end in 2023 every fall and spring the complaints about adjusting the

payback time english edition renewalcc - May 18 2022

web 2 days ago last modified on thu 2 nov 2023 08 02 edt the bank of england has kept interest rates unchanged at 5 25 for a second time in a row amid concerns over a

[payback time by paula edgington open library](#) - Nov 23 2022

web payback time english edition financial investment management by dr f c sharma dr r s kulshrestha english the payback payback time whitey s payback the

payback time phil town free download borrow - Oct 03 2023

web jan 6 2020 full book name payback time author name phil town book genre business currency economics finance money nonfiction isbn 9780307461889

[payback time 2011 edition open library](#) - Aug 01 2023

web this student edition of payback time is supported with a teacher edition designed to support teachers with effective literacy teaching strategies and reduce 10 years as

red roses dominate black ferns to win inaugural wxv1 title - Feb 12 2022

web 1 day ago on the one hand the prevailing desire for revenge means it is unlikely that israeli soldiers will protect the palestinians against the radical settlers who seek

[pdf epub payback time download oceanofpdf](#) - Sep 02 2023

web payback time eight steps to outsmarting the system that failed you and getting your investments back on track by phil town 0 ratings 1 want to read 1 currently reading

[payback time making big money is the best revenge](#) - May 30 2023

web payback time by phil town 2009 crown business edition in english it looks like you re offline donate Čeština cs deutsch de an edition of payback time 2009

payback time essential resources - Jun 30 2023

web a very practical book payback time isn't a value investing book per se but for someone wanting to learn how to invest it is an practical book in fact it is more like an instruction

wxv 1 england dominate black ferns in world cup payback msn - Aug 21 2022

web aug 6 2023 payback time english edition 1 9 downloaded from uniport edu ng on august 6 2023 by guest payback time english edition right here we have countless

payback time deuker carl free download borrow and - Aug 09 2021

payback time english edition uniport edu ng - Jun 18 2022

web jul 12 2023 payback time english edition 1 9 downloaded from uniport edu ng on july 12 2023 by guest payback time english edition when somebody should go to the

payback time in a sentence cambridge dictionary - Oct 23 2022

web while it may be a repeat of last year's rugby world cup final the black ferns feel like a new team before this weekend's wxv1 showdown with england only 11 of the 23 that

payback time translation into arabic examples english - Nov 11 2021

web may 20 2023 payback time english edition 1 10 downloaded from uniport edu ng on may 20 2023 by guest payback time english edition if you ally dependence such a

payback time english edition uniport edu ng - Sep 09 2021

web may 19 2023 payback time english edition 1 10 downloaded from uniport edu ng on may 19 2023 by guest payback time english edition right here we have countless

[low carb weihnachtsbäckerei himmlische rezepte für die](#) - May 23 2022

web low carb weihnachtsbäckerei himmlische rezepte für die weihnachtszeit mit low carb kannst du schnell und dauerhaft abnehmen und schlank bleiben ohne zu hungern oder dich an strenge ernährungspläne halten zu müssen

[low carb weihnachtsbäckerei himmlische rezepte für die](#) - Apr 21 2022

web low carb weihnachtsbäckerei himmlische rezepte für die weihnachtszeit mit low carb kannst du schnell und dauerhaft abnehmen und schlank bleiben ohne zu hungern oder dich an strenge ernährungspläne halten zu müssen

[low carb weihnachtsbäckerei himmlische rezepte für die](#) - Mar 21 2022

web low carb weihnachtsbäckerei himmlische rezepte für die weihnachtszeit mit low carb kannst du schnell und dauerhaft abnehmen und schlank bleiben ohne zu hungern oder dich an strenge ernährungspläne halten zu müssen

low carb rezepte für dein weihnachten happy carb - Jul 05 2023

web rezeptvorschläge für dein low carb weihnachten leckere weihnachtsplätzchen low carb weihnachtspunsch chianti gulasch rezepte nach kategorien rezepte nach zutaten meine neuesten rezepte 18 dezember

low carb weihnachtsmenü eat smarter - Oct 28 2022

web das low carb dessert cranberry gelee mit gewürzmilchschaum pro portion 17 g kh 98 kcal 1 g fett 3 g eiweiß ein leichtes fruchtgelee mit weihnachtlichen aromen der perfekte abschluss eines köstlichen menüs zum rezept

low carb weihnachtsbäckerei 30 weihnachtliche backrezepte - May 03 2023

web 30 leckere rezepte aus der weihnachtsbäckerei willst du in der weihnachtszeit nicht auf plätzchen ausstecherle lebkuchen zimtsterne und zitronenherzen verzichten die beliebten gebäcke zur weihnachtszeit sind auch ohne mehl und zucker möglich

die besten low carb weihnachtsplätzchen rezepte happy carb - Aug 06 2023

web nov 1 2020 low carb versteht sich von selbst aber auch da ist die auswahl riesengroß und ich will dir die entscheidung mit diesem beitrag so richtig schwer machen du kannst dich auf eine bunte Mischung toller low carb weihnachtsplätzchen und anderer leckereien freuen

low carb weihnachtsmenü 5 special essen ohne kohlenhydrate - Nov 28 2022

web nov 10 2020 keiner nimmt über weihnachten ab aber mit unseren low carb rezepten werdet ihr zumindest nicht zunehmen dieses menü besticht mit selbst gerolltem lachs sushi perfektem steak und cremigem schoko erdnuss mousse hier liegen wir bei insgesamt knapp 45g kohlenhydraten für alle 6 gänge mit unserem konzept bis zu

low carb weihnachtsbäckerei himmlische rezepte für die - Aug 26 2022

web müssen findest du in diesem rezeptbuch die besten low carb rezepte für die weihnachtszeit mit gutem gewissen genießen in der low carb weihnachtsbäckerei findest du sorgfältig ausgewählte

wir backen einen neuen shop springlane de - Sep 26 2022

web wir backen einen neuen shop liebe foodies hier entsteht bald ein neuer shop in der zwischenzeit könnt ihr auch auf amazon unsere küchenlieblinge shoppen bei fragen kontaktiere uns unter service springlane de zu amazon

low carb rezepte für weihnachten lowcarb de - Sep 07 2023

web low carb rezepte für weihnachten fehlt dir noch eine zündende idee für die weihnachts menüplanung dann wird dich diese festliche rezeptsammlung sicher inspirieren neben edlen fleisch und fischgerichten für die festtagstafel haben wir auch vegetarische rezepte leckere vorspeisen und dessertvariationen für dich heraus

low carb weihnachtsbäckerei himmlische rezepte für die - Jun 23 2022

web besten low carb rezepte für die weihnachtszeit mit gutem gewissen genießen in der low carb weihnachtsbäckerei findest du sorgfältig ausgewählte low carb weihnachtsrezepte für die weihnachtszeit die low carb weihnachtsbäckerei rezepte sind

alltagstauglich und gelingen immer im handumdrehen so kannst du in der zeit der versuchungen stark

[weihnachtsbäckerei low carb mein zaubertopf club](#) - Jan 31 2023

web weihnachtsbäckerei low carb mein zaubertopf club wir genießen weihnachten auf die leichte art mit weniger zucker und viel geschmack kurz low carb hier findest du unsere liebliche für die adventszeit und zum fest 40 min low carb tassenkuchen mit heidelbeeren 1 std 10 min low carb marmorkuchen mit xylit 20 min leichtes

low carb backen für weihnachten 53 himmlische rezepte - Mar 01 2023

web low carb backen für weihnachten 53 himmlische rezepte peters anne engels nina isbn 9783625189879 kostenloser versand für alle bücher mit versand und verkauf duch amazon

[himmlische low carb weihnachtszeit happy carb](#) - Dec 30 2022

web 17 november 2019 himmlische low carb weihnachtszeit bücher so eine herrliche schlemmerzeit will mit liebe geplant sein es geht in die spannende phase vor weihnachten das weihnachtsmenü der schmausige heilige abend und auch die silvesterparty will geplant sein

[schokokipferl low carb himmlische weihnachtsbäckerei](#) - Jun 04 2023

web 1773 kj 5 4 g kohlenhydrate 35 3 g fett 19 0 g eiweiß 1 portion 78 kcal 326 kj 1 g kohlenhydrate 6 6 g fett 3 5 g eiweiß zubereitung 1 heize deinen backofen auf 150 grad umluft vor wichtiger hinweis backöfen können je nach marke oder alter wesentliche temperaturunterschiede von bis zu 20 grad oder sogar mehr aufweisen

[low carb weihnachtsbäckerei himmlische rezepte für die](#) - Jul 25 2022

web low carb weihnachtsbäckerei himmlische rezepte für die weihnachtszeit mit low carb kannst du schnell und dauerhaft abnehmen und schlank bleiben ohne zu hungern oder dich an strenge ernährungspläne halten zu müssen

die 20 besten rezepte für low carb weihnachtsgebäck - Apr 02 2023

web dec 3 2019 meine rezepte für köstliches low carb weihnachtsgebäck ohne mehl und zucker machen es möglich egal ob du low carb weihnachtsgebäck mit mandelmehl kokosmehl oder erythrit backen möchtest unter diesen rezepten wirst du garantiert fündig ich habe für dich tolle rezepte für low carb plätzchen weihnachtliche kuchen und

low carb weihnachtsbäckerei himmlische rezepte für die - Oct 08 2023

web low carb weihnachtsbäckerei himmlische rezepte für die weihnachtszeit mit low carb kannst du schnell und dauerhaft abnehmen und schlank bleiben ohne zu hungern oder dich an strenge ernährungspläne halten zu müssen

low carb weihnachtsbäckerei himmlische rezepte für die - Feb 17 2022

web verzichten zu müssen findest du in diesem rezeptbuch die besten low carb rezepte für die weihnachtszeit mit gutem gewissen genießen in der low carb weihnachtsbäckerei findest du sorgfältig ausgewählte low carb weihnachtsrezepte für die weihnachtszeit die low carb weihnachtsbäckerei rezepte

