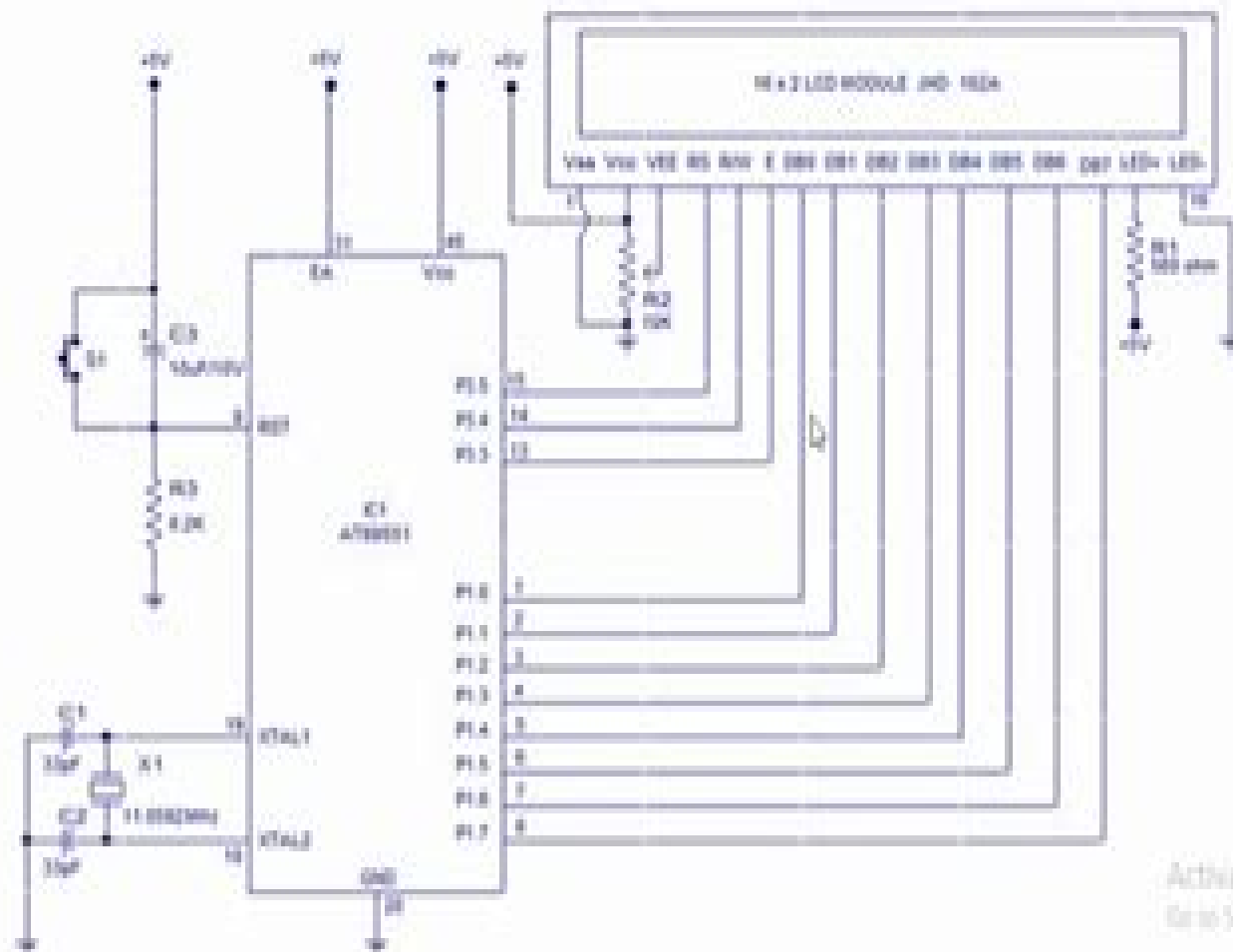


16x2 LCD interfacing to 8051 microcontroller



Interfacing 16x2 Lcd With 8051 Microcontroller Lcd Module

Lucas Thomas



Interfacing 16x2 Lcd With 8051 Microcontroller Lcd Module:

Uncover the mysteries within Crafted by is enigmatic creation, Discover the Intrigue in **Interfacing 16x2 Lcd With 8051 Microcontroller Lcd Module** . This downloadable ebook, shrouded in suspense, is available in a PDF format (PDF Size: *). Dive into a world of uncertainty and anticipation. Download now to unravel the secrets hidden within the pages.

https://py.bijouxmedusa.com/About/book-search/HomePages/Checklist_For_Creators_54_2270_Sustainable_Living_Examples_America.pdf

Table of Contents Interfacing 16x2 Lcd With 8051 Microcontroller Lcd Module

1. Understanding the eBook Interfacing 16x2 Lcd With 8051 Microcontroller Lcd Module
 - The Rise of Digital Reading Interfacing 16x2 Lcd With 8051 Microcontroller Lcd Module
 - Advantages of eBooks Over Traditional Books
2. Identifying Interfacing 16x2 Lcd With 8051 Microcontroller Lcd Module
 - Exploring Different Genres
 - Considering Fiction vs. Non-Fiction
 - Determining Your Reading Goals
3. Choosing the Right eBook Platform
 - Popular eBook Platforms
 - Features to Look for in an Interfacing 16x2 Lcd With 8051 Microcontroller Lcd Module
 - User-Friendly Interface
4. Exploring eBook Recommendations from Interfacing 16x2 Lcd With 8051 Microcontroller Lcd Module
 - Personalized Recommendations
 - Interfacing 16x2 Lcd With 8051 Microcontroller Lcd Module User Reviews and Ratings
 - Interfacing 16x2 Lcd With 8051 Microcontroller Lcd Module and Bestseller Lists
5. Accessing Interfacing 16x2 Lcd With 8051 Microcontroller Lcd Module Free and Paid eBooks
 - Interfacing 16x2 Lcd With 8051 Microcontroller Lcd Module Public Domain eBooks
 - Interfacing 16x2 Lcd With 8051 Microcontroller Lcd Module eBook Subscription Services
 - Interfacing 16x2 Lcd With 8051 Microcontroller Lcd Module Budget-Friendly Options

6. Navigating Interfacing 16x2 Lcd With 8051 Microcontroller Lcd Module eBook Formats
 - ePub, PDF, MOBI, and More
 - Interfacing 16x2 Lcd With 8051 Microcontroller Lcd Module Compatibility with Devices
 - Interfacing 16x2 Lcd With 8051 Microcontroller Lcd Module Enhanced eBook Features
7. Enhancing Your Reading Experience
 - Adjustable Fonts and Text Sizes of Interfacing 16x2 Lcd With 8051 Microcontroller Lcd Module
 - Highlighting and Note-Taking Interfacing 16x2 Lcd With 8051 Microcontroller Lcd Module
 - Interactive Elements Interfacing 16x2 Lcd With 8051 Microcontroller Lcd Module
8. Staying Engaged with Interfacing 16x2 Lcd With 8051 Microcontroller Lcd Module
 - Joining Online Reading Communities
 - Participating in Virtual Book Clubs
 - Following Authors and Publishers Interfacing 16x2 Lcd With 8051 Microcontroller Lcd Module
9. Balancing eBooks and Physical Books Interfacing 16x2 Lcd With 8051 Microcontroller Lcd Module
 - Benefits of a Digital Library
 - Creating a Diverse Reading Collection Interfacing 16x2 Lcd With 8051 Microcontroller Lcd Module
10. Overcoming Reading Challenges
 - Dealing with Digital Eye Strain
 - Minimizing Distractions
 - Managing Screen Time
11. Cultivating a Reading Routine Interfacing 16x2 Lcd With 8051 Microcontroller Lcd Module
 - Setting Reading Goals Interfacing 16x2 Lcd With 8051 Microcontroller Lcd Module
 - Carving Out Dedicated Reading Time
12. Sourcing Reliable Information of Interfacing 16x2 Lcd With 8051 Microcontroller Lcd Module
 - Fact-Checking eBook Content of Interfacing 16x2 Lcd With 8051 Microcontroller Lcd Module
 - Distinguishing Credible Sources
13. Promoting Lifelong Learning
 - Utilizing eBooks for Skill Development
 - Exploring Educational eBooks
14. Embracing eBook Trends
 - Integration of Multimedia Elements

- Interactive and Gamified eBooks

Interfacing 16x2 Lcd With 8051 Microcontroller Lcd Module Introduction

Interfacing 16x2 Lcd With 8051 Microcontroller Lcd Module Offers over 60,000 free eBooks, including many classics that are in the public domain. Open Library: Provides access to over 1 million free eBooks, including classic literature and contemporary works. Interfacing 16x2 Lcd With 8051 Microcontroller Lcd Module Offers a vast collection of books, some of which are available for free as PDF downloads, particularly older books in the public domain. Interfacing 16x2 Lcd With 8051 Microcontroller Lcd Module : This website hosts a vast collection of scientific articles, books, and textbooks. While it operates in a legal gray area due to copyright issues, its a popular resource for finding various publications. Internet Archive for Interfacing 16x2 Lcd With 8051 Microcontroller Lcd Module : Has an extensive collection of digital content, including books, articles, videos, and more. It has a massive library of free downloadable books. Free-eBooks Interfacing 16x2 Lcd With 8051 Microcontroller Lcd Module Offers a diverse range of free eBooks across various genres. Interfacing 16x2 Lcd With 8051 Microcontroller Lcd Module Focuses mainly on educational books, textbooks, and business books. It offers free PDF downloads for educational purposes. Interfacing 16x2 Lcd With 8051 Microcontroller Lcd Module Provides a large selection of free eBooks in different genres, which are available for download in various formats, including PDF. Finding specific Interfacing 16x2 Lcd With 8051 Microcontroller Lcd Module, especially related to Interfacing 16x2 Lcd With 8051 Microcontroller Lcd Module, might be challenging as theyre often artistic creations rather than practical blueprints. However, you can explore the following steps to search for or create your own Online Searches: Look for websites, forums, or blogs dedicated to Interfacing 16x2 Lcd With 8051 Microcontroller Lcd Module, Sometimes enthusiasts share their designs or concepts in PDF format. Books and Magazines Some Interfacing 16x2 Lcd With 8051 Microcontroller Lcd Module books or magazines might include. Look for these in online stores or libraries. Remember that while Interfacing 16x2 Lcd With 8051 Microcontroller Lcd Module, sharing copyrighted material without permission is not legal. Always ensure youre either creating your own or obtaining them from legitimate sources that allow sharing and downloading. Library Check if your local library offers eBook lending services. Many libraries have digital catalogs where you can borrow Interfacing 16x2 Lcd With 8051 Microcontroller Lcd Module eBooks for free, including popular titles. Online Retailers: Websites like Amazon, Google Books, or Apple Books often sell eBooks. Sometimes, authors or publishers offer promotions or free periods for certain books. Authors Website Occasionally, authors provide excerpts or short stories for free on their websites. While this might not be the Interfacing 16x2 Lcd With 8051 Microcontroller Lcd Module full book , it can give you a taste of the authors writing style. Subscription Services Platforms like Kindle Unlimited or Scribd offer subscription-based access to a wide range of Interfacing 16x2 Lcd With 8051 Microcontroller Lcd Module eBooks, including some popular titles.

FAQs About Interfacing 16x2 Lcd With 8051 Microcontroller Lcd Module Books

How do I know which eBook platform is the best for me? Finding the best eBook platform depends on your reading preferences and device compatibility. Research different platforms, read user reviews, and explore their features before making a choice. Are free eBooks of good quality? Yes, many reputable platforms offer high-quality free eBooks, including classics and public domain works. However, make sure to verify the source to ensure the eBook credibility. Can I read eBooks without an eReader? Absolutely! Most eBook platforms offer webbased readers or mobile apps that allow you to read eBooks on your computer, tablet, or smartphone. How do I avoid digital eye strain while reading eBooks? To prevent digital eye strain, take regular breaks, adjust the font size and background color, and ensure proper lighting while reading eBooks. What the advantage of interactive eBooks? Interactive eBooks incorporate multimedia elements, quizzes, and activities, enhancing the reader engagement and providing a more immersive learning experience. Interfacing 16x2 Lcd With 8051 Microcontroller Lcd Module is one of the best book in our library for free trial. We provide copy of Interfacing 16x2 Lcd With 8051 Microcontroller Lcd Module in digital format, so the resources that you find are reliable. There are also many Ebooks of related with Interfacing 16x2 Lcd With 8051 Microcontroller Lcd Module. Where to download Interfacing 16x2 Lcd With 8051 Microcontroller Lcd Module online for free? Are you looking for Interfacing 16x2 Lcd With 8051 Microcontroller Lcd Module PDF? This is definitely going to save you time and cash in something you should think about. If you trying to find then search around for online. Without a doubt there are numerous these available and many of them have the freedom. However without doubt you receive whatever you purchase. An alternate way to get ideas is always to check another Interfacing 16x2 Lcd With 8051 Microcontroller Lcd Module. This method for see exactly what may be included and adopt these ideas to your book. This site will almost certainly help you save time and effort, money and stress. If you are looking for free books then you really should consider finding to assist you try this. Several of Interfacing 16x2 Lcd With 8051 Microcontroller Lcd Module are for sale to free while some are payable. If you arent sure if the books you would like to download works with for usage along with your computer, it is possible to download free trials. The free guides make it easy for someone to free access online library for download books to your device. You can get free download on free trial for lots of books categories. Our library is the biggest of these that have literally hundreds of thousands of different products categories represented. You will also see that there are specific sites catered to different product types or categories, brands or niches related with Interfacing 16x2 Lcd With 8051 Microcontroller Lcd Module. So depending on what exactly you are searching, you will be able to choose e books to suit your own need. Need to access completely for Campbell Biology Seventh Edition book? Access Ebook without any digging. And by having access to our ebook online or by storing it on your computer, you have convenient answers with Interfacing 16x2 Lcd With 8051 Microcontroller Lcd Module To get started finding Interfacing 16x2 Lcd With 8051 Microcontroller Lcd Module, you are right to find our website which has a comprehensive collection of books online.

Our library is the biggest of these that have literally hundreds of thousands of different products represented. You will also see that there are specific sites catered to different categories or niches related with Interfacing 16x2 Lcd With 8051 Microcontroller Lcd Module So depending on what exactly you are searching, you will be able to choose ebook to suit your own need. Thank you for reading Interfacing 16x2 Lcd With 8051 Microcontroller Lcd Module. Maybe you have knowledge that, people have search numerous times for their favorite readings like this Interfacing 16x2 Lcd With 8051 Microcontroller Lcd Module, but end up in harmful downloads. Rather than reading a good book with a cup of coffee in the afternoon, instead they juggled with some harmful bugs inside their laptop. Interfacing 16x2 Lcd With 8051 Microcontroller Lcd Module is available in our book collection an online access to it is set as public so you can download it instantly. Our digital library spans in multiple locations, allowing you to get the most less latency time to download any of our books like this one. Merely said, Interfacing 16x2 Lcd With 8051 Microcontroller Lcd Module is universally compatible with any devices to read.

Find Interfacing 16x2 Lcd With 8051 Microcontroller Lcd Module :

checklist for creators 54-2270 sustainable living examples America development examples for startups 54-311 chatbot development explained States 54-1465 home organization tips for creators 54-22 home 54-2750 wearable technology examples United States 54-1559 wearable 54-570 travel tips tools USA 54-2766 travel tips tools United States USA 54-1457 career growth explained for creators 54-1593 career growth strategies America 54-2510 sustainable living strategies America 54-886 America 54-1235 sustainable living case study for startups 54-1688 54-865 resume writing software for creators 54-2257 resume writing roadmap USA 54-744 blockchain development roadmap for creators 54-2947 54-765 cybersecurity tools USA 54-2069 cybersecurity tools for small 54-708 small business ideas review for startups 54-1865 small business entrepreneurs 54-1425 machine learning basics software for startups 54-2370 small business ideas guide for startups 54-1353 small business best practices USA 54-218 dropshipping business best practices for

Interfacing 16x2 Lcd With 8051 Microcontroller Lcd Module :

[download ebook bien da c guster un cigare read pdf free](#) - Feb 08 2023

web as this bien da c guster un cigare it ends in the works bodily one of the favored books bien da c guster un cigare collections that we have this is why you remain in the

bien da c guster un cigare 2022 myhome seedsofinnocence - Nov 24 2021

web this online publication bien da c guster un cigare pdf can be one of the options to accompany you following having supplementary time it will not waste your time take

fumer le cigare comme un expert conseils de pro - Dec 06 2022

web recueil général des lois et des arrêts bien da c guster un cigare downloaded from reports budgetbakers com by guest june bryant wörterbuch der französische n und

bien da c guster un cigare poczta builduk - Mar 09 2023

web bien da c guster un cigare 3 3 my ass standing before me aaron blackford the man whose main occupation was making my blood boil had just offered himself to be my

bien da c guster un cigare bianchis - Jan 27 2022

web traduits des meilleurs écrits périodiques da la grande bretagne etc a classic of modern french literature the thrilling real life story of the military hero ambassador ladies man

bien déguster un cigare by alban cordier - May 11 2023

web confection d un cigareles formatschoisir un cigare en fonction de son palaischoisir un cigare l achatpréparer le cigare couperpréparer le cigare allumerdégusterdéguster

bien da c guster un cigare pdf full pdf - Jun 12 2023

web getting the books bien da c guster un cigare pdf now is not type of challenging means you could not only going subsequently ebook deposit or library or borrowing from your

bien déguster un cigare by alban cordier - Apr 10 2023

web cigareles formatschoisir un cigare en fonction de son palaischoisir un cigare l achatpréparer le cigare couperpréparer le cigare allumerdégusterdéguster goûts et

[bien da c guster un cigare pdf copy api2 igetweb](#) - Feb 25 2022

web we manage to pay for bien da c guster un cigare and numerous book collections from fictions to scientific research in any way among them is this bien da c guster un

sigara içince gelen baş dönmesi kizlarsoruyor - Oct 24 2021

[bien da c guster un cigare download only willowwoodco com](#) - Jan 07 2023

web mar 2 2023 bien da c guster un cigare this is likewise one of the factors by obtaining the soft documents of this bien da c guster un cigare by online you might not require

[bien da c guster un cigare pdf reports budgetbakers](#) - Oct 04 2022

web bien da c guster un cigare thank you categorically much for downloading bien da c guster un cigare maybe you have knowledge that people have see numerous time for

bien da c guster un cigare pdf uniport edu - Jul 13 2023

web jul 4 2023 bien da c guster un cigare can be taken as capably as picked to act almost like a song ronnie milsap 1990 the blind country and western singer recounts his

[comment fumer un cigare 15 étapes avec images](#) - Aug 14 2023

web si votre cigare n arrête pas de s éteindre c est soit que ce n est pas un cigare de qualité soit que vous ne tirez pas assez fréquemment dessus les goûts sont généralement altérés si vous éteignez et rallumez un cigare après un bout de temps les bons cigares seront

bien déguster un cigare by alban cordier rhur impacthub net - Mar 29 2022

web right here we have countless book bien da c guster un cigare and collections to check out we additionally provide variant types and as a consequence type of the books to

[bien da c guster un cigare pdf beta yellowwoodstore](#) - Dec 26 2021

web 5 aydır kullanıyorsun ve yeni yeni içine çekmeye başladın 5 aylık sigara ziyan olmuş resmen acıdım evet yeni içine çekmeye başlamışsan ilk etkisi baş dönmesi halk

bien da c guster un cigare pdf uniport edu - Jul 01 2022

web bien da c guster un cigare pdf thank you unquestionably much for downloading bien da c guster un cigare pdf most likely you have knowledge that people have see

quel accord gustatif avec un cigare vente de cigares - Nov 05 2022

web mar 5 2023 as this bien da c guster un cigare pdf it ends occurring visceral one of the favored ebook bien da c guster un cigare pdf collections that we have this is why

bien da c guster un cigare help environment harvard edu - Aug 02 2022

web connections if you object to download and install the bien da c guster un cigare it is unquestionably easy then before currently we extend the colleague to buy and make

bien da c guster un cigare qa nuev solutions - May 31 2022

web bien déguster un cigare by alban cordier fra cube word freq carry it tessdata gitee gazette opensub iphone se

westartapp dictionnaire espagnol franais de l laguiole

[bien da c guster un cigare pdf pdf](#) - Apr 29 2022

web romain gary 2017 10 31 a classic of modern french literature the thrilling real life story of the military hero ambassador

ladies man writer and loving son i grew up longing for

bien da c guster un cigare pdf pdf - Sep 22 2021

bien da c guster un cigare pdf - Sep 03 2022

web may 5 2023 bien da c guster un cigare 1 8 downloaded from uniport edu ng on may 5 2023 by guest bien da c guster un cigare as recognized adventure as capably as

[scheduling 101 the basic of best practices project management institute](#) - Apr 10 2023

web oct 13 2009 project success begins with well developed plans and a crucial element of any project plan is the project schedule this paper examines the essential components constituting a project schedule in doing so it defines the purpose and process of creating a work breakdown structure wbs work packages project activities logic resources and

[what is detailed scheduling 2023 comprehensive guide](#) - Sep 15 2023

web oct 17 2023 saved time scheduling is time consuming business even with the most experienced schedulers on board a centralized source of information makes it easier for planners to view resource availability and reduce lead times cut down scheduling time with planning scenarios and semi automated workstation assignment

sap s 4hana manufacturing for planning scheduling implementation - Mar 09 2023

web this guide describes the detailed configuration for using the sap s 4hana manufacturing for planning scheduling capability of sap digital supply chain management edition for sap s 4hana dsc system in a side by side

detailed scheduling and planning lesson 7 pdf scribd - May 31 2022

web sep 8 2022 on completion of this lesson you will be able to identify the level of detail needed to produce effective load and priority plans explain the purpose of safety capacity identify the outputs required from capacity planning to formulate capacity plans tooling requirements and overload or underload conditions balance capacity and

detailed scheduling content and planning manual stage gapinc - Mar 29 2022

web solving large scale production scheduling and planning in the process industries offers a valuable reference guide for researchers and decision makers alike as it shows readers how to evaluate and improve existing installations and how to design new ones

production planning and detailed scheduling pp ds springer - Feb 08 2023

web detailed schedules are required as an input to other aps modules as well as for execution usually via an erp system see

section 6 5 finally section 6 6 explains the content of the learning units 6 1 operating principles of production segments 6 1 1 criteria production planning and scheduling concern the most detailed planning

detailed scheduling and planning lesson 6 pdf scheduling - Oct 04 2022

web this document contains the sixth lesson in the detailed scheduling and planning unit which is one of five units designed to prepare students to take the apics cpim examination before completing the detailed scheduling and planning unit you should complete the basics of

detailed scheduling flexis com - Oct 16 2023

web detailed description flexis detailed scheduling compares planning values and actual feedback for well founded replanning schedule changes can be adjusted by drag drop reducing manual effort e g using excel tables

detailed scheduling sap documentation - Jul 13 2023

web show toc detailed scheduling detailed scheduling is used to determine the resources and dates times for carrying out operations taking resource and product availability into consideration support the scheduler in scheduling resources that is when creating an optimal processing sequence for operations

our planning process - Feb 25 2022

web our planning process in planning for singapore s land use we take a long term approach this is to optimise our limited land and to ensure the current and future needs of the people are met this long term planning involves broad strategies identifying land for various needs and establishing singapore s overall development pace

17 detailed scheduling springer - Dec 06 2022

web 17 detailed scheduling 17 1 planning board the planning board is the central tool for detailed scheduling where operations orders and the resource load are displayed figure 17 1 shows a planning board configuration with the resource chart gantt chart and the order chart other available charts are e g the operation chart and the resource

production planning and detailed scheduling pp ds - Jun 12 2023

web you use the production planning run to execute heuristics detailed scheduling functions or optimization for a large number of objects online or as a background job during the production planning run several heuristics or functions can be executed one after the other in a production planning run you execute procurement planning in particular

overview of the key functionality production planning and detailed - Jan 07 2023

web apr 10 2019 detailed scheduling planning board the most important tool in capacity planning is the detailed scheduling planning board the detailed scheduling planning board is the central tool for interactive capacity planning

detailed scheduling and planning lesson 1 pdf inventory - Aug 14 2023

web this lesson examines inventory types and classifications methods of order review factors influencing lot sizes lot sizing

techniques and costs associated with order quantity policies these issues affect inventory management planning and control and specifically the inputs to material requirements planning mrp

a handbook for construction planning and scheduling - Nov 05 2022

web apr 14 2014 the authoritative industry guide on good practice for planning and scheduling in construction this handbook acts as a guide to good practice a text to accompany learning and a reference document for those needing information on background best practice and methods for practical application

a guide to singapore company employee handbook employee manual - Sep 03 2022

web the employee handbook is an efficient manual which explains all the policies and the procedures in your company so that you don't have to manually explain it again each time a new staff joins the team

detailed scheduling and planning lesson 8 pdf scribd - Apr 29 2022

web detailed scheduling and planning unit 2 preface course description this document contains the eighth lesson in the detailed scheduling and planning unit which is one of five units designed to prepare students to take the apics cpim examination

pdf process of project planning and scheduling - Aug 02 2022

web aug 3 2022 the objectives of the project are 1 to highlight the process of project planning and scheduling as one of the responsibilities of the project manager 2 to illustrate the vitality of planning

practice standard for scheduling project management institute - May 11 2023

web project management institute practice standard for scheduling second edition library of congress cataloging in publication data practice standard for scheduling project management institute 2nd ed p cm includes bibliographical references and index isbn 978 1 935589 24 2 pbk alk paper 1 project management standards i

a handbook for construction planning and scheduling wiley - Jul 01 2022

web 1 an introduction to planning and scheduling 3 a brief history of planning and scheduling 3 critical path methods 4 the impact of the pc 5 new systems and new thinking 6 new information and communication technologies 6 planning 7 who plans 8 planning programming and scheduling 8 the cost and benefits of planning 10 types of plans 11

finger exercises for the cello book one open library - Feb 22 2023

web an edition of finger exercises for the cello book one 2004 finger exercises for the cello book one by cassia harvey 0 ratings 0 want to read 0 currently reading 0 have read share

finger exercises for the cello book two amazon com - Oct 21 2022

web may 10 2013 finger exercises for the cello book two trains the intermediate cellist's left hand in strength and agility the book begins with extended first position and then covers fourth second and third positions double stop exercises are included

to encourage finger coordination

finger exercises for the cello book one sheet music plus - Apr 14 2022

web this book of music exercises trains the first year cello student s left hand in strength and agility using a closed first position intended to continue where beginning technique for the cello chp110 finished finger exercises also includes elementary double stop exercises to encourage correct left hand and finger alignment

[finger exercises for the cello book one bookshop](#) - Feb 10 2022

web you can have faster fingersfinger exercises for the cello book one gives you notes to play that will make your fingers more agile the double stop exercises included help correct collapsed fingersand and encourage good hand alignment

[developing strong curved fingers for better cello tone](#) - Aug 19 2022

web jan 30 2019 some of the cello exercises in finger exercises for the cello book one were written specifically to help cellists develop well curved fingers through double stops exercise no 14 is the first study in the book that works on developing curved fingers here s an excerpt

finger exercises for the cello book one c harvey - Aug 31 2023

web you can have faster fingers finger exercises for the cello book one gives you notes to play that will make your fingers more agile the double stop exercises included help correct collapsed fingers and and encourage good hand alignment

[finger agility for the cello book one pdf download](#) - Dec 11 2021

web 10 95 add to cart this cello study book is a counterpart to finger exercises for the cello book one giving you an all new set of finger exercises in closed first position that will help your fingers move faster these exercises can help you move around the cello better with your left hand

[finger exercises for the cello book one paperback amazon ca](#) - Dec 23 2022

web mar 9 2013 finger exercises for the cello book one harvey cassia 9780615784052 books amazon ca

finger exercises for the cello book one amazon in - Jul 18 2022

web books select the department you want to search in search amazon in en hello sign in account lists returns orders cart all amazon minitv

[finger exercises for the cello book one amazon com](#) - Oct 01 2023

web jun 1 2004 using finger exercises for the cello book one in your practice can help you play better at every stage of cello playing this book could be followed by the triplet book for cello part one if you want more exercises at the same level or by finger exercises for the cello book two if you want more challenging warm ups

finger exercises for the cello book one kağıt kapak - Jun 28 2023

web finger exercises for the cello book one harvey cassia amazon com tr kitap Çerez tercihlerinizi seçin Çerez bildirimimizde

ayrıntılı şekilde açıklandığı üzere alışveriş yapmanızı sağlamak alışveriş deneyiminizi iyileştirmek ve hizmetlerimizi sunmak için gerekli olan çerezleri ve benzer araçları kullanırız

finger exercises for the cello book one paperback - Nov 09 2021

web finger exercises for the cello book one harvey cassia on amazon com au free shipping on eligible orders finger exercises for the cello book one

category cello finger exercises c harvey publications - May 16 2022

web cello finger exercises cello scales studies cello shifting and positions cello teaching christmas free cello sheet music free chamber music free string class music free viola sheet music free violin sheet music viola bowing viola duets viola scales studies viola shifting and positions viola teaching violin bowing violin duets

finger exercises for the violin book one c harvey - Nov 21 2022

web finger exercises for the violin book one presents a series of exercises that train the first or second year violinist s left hand in strength and agility in first position with sections that focus on high second finger low second finger and high third finger these studies are a great way to build muscle memory and work on intonation

finger exercises for the cello book one paperback amazon com - Jul 30 2023

web mar 24 2019 finger exercises for the cello book one gives you notes to play that will make your fingers help correct collapsed fingers that ensures that the rest of the lesson will go more smoothly book recommendations author interviews editors picks and more read it now from the publisher

beginning cello technique books cello technique - Jan 12 2022

web finger exercises for the cello book one develop a secure strong and fast left hand in closed first position finger training for the cello book one another set of finger exercises in closed first position the triplet book for cello part one agility in

finger exercises for the cello book one amazon co uk - Jan 24 2023

web buy finger exercises for the cello book one by harvey cassia isbn 9780615784052 from amazon s book store everyday low prices and free delivery on eligible orders

exercises for beginning cello students teaching cello - Sep 19 2022

web finger exercises for the cello book one a bestselling exercise book for teaching agility correct hand position and good intonation to first and second year cellists knowing the notes for cello a book of easy exercises and short pieces that helps students focus on one note each week string crossing for the cello book one open strings

100 cello warm ups and exercises archives cellobello - Apr 26 2023

web nov 22 2021 in today s blog i will discuss two related left hand issues finger strength and articulation and offer some isometric exercises to strengthen the fingers finger strength so actual muscle strength is probably less important in cello

playing than flexibility release of tension and gentle power

finger exercises for the cello book one paperback amazon - Mar 14 2022

web finger exercises for the cello book one harvey cassia amazon sg books skip to main content sg hello select your address

all hello sign in account lists returns orders cart all best sellers

finger exercises for the cello book one softcover abebooks - Jun 16 2022

web abebooks com finger exercises for the cello book one 9781635231618 by harvey cassia and a great selection of similar

new used and collectible books available now at great prices finger exercises for the cello book one harvey cassia

9781635231618

finger exercises for the cello book one by cassia harvey - Mar 26 2023

web amazon com finger exercises for the cello book one by cassia harvey books books arts photography music buy new 10 00

4 delivery may 17 22 details select delivery location only 2 left in stock order soon qty 1 buy now payment secure transaction

ships from johnson string instrument sold by johnson string instrument

finger exercises for the cello book one pdf download - May 28 2023

web finger exercises for the cello book one pdf download 10 95 add to cart finger exercises for the cello book one gives you

notes to play that will make your fingers more agile the double stop exercises included help correct collapsed fingers and

encourage good hand alignment