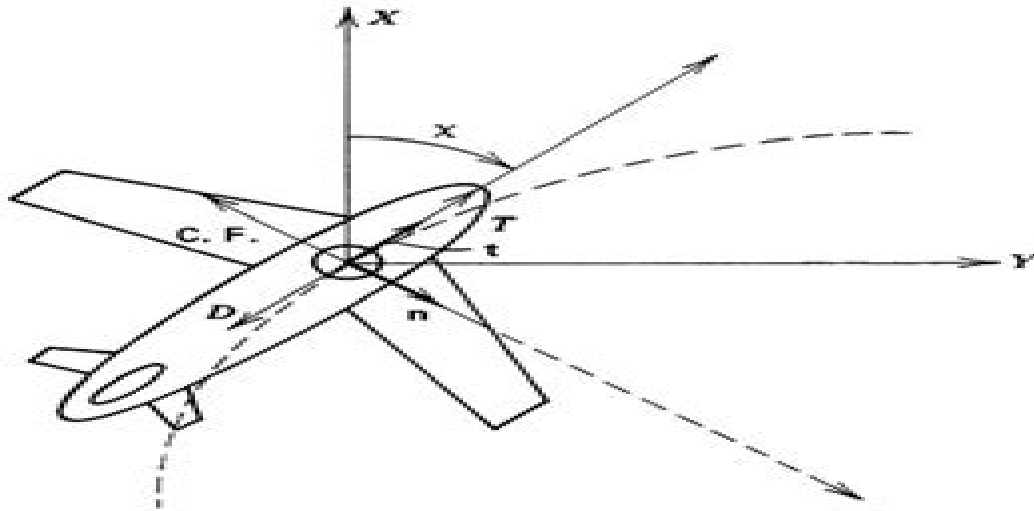


Introduction to Aircraft Performance, Selection, and Design



Francis J. Hale

Introduction To Aircraft Performance Selection And Design

Robert A. Meyers



Introduction To Aircraft Performance Selection And Design:

Discover tales of courage and bravery in its empowering ebook, **Introduction To Aircraft Performance Selection And Design** . In a downloadable PDF format (Download in PDF: *), this collection inspires and motivates. Download now to witness the indomitable spirit of those who dared to be brave.

<https://py.bijouxmedusa.com/book/Resources/default.aspx/Minimalist%20Lifestyle%20Tips%20United%20States%2078%20233%20Minimalist%20Lifestyle.pdf>

Table of Contents Introduction To Aircraft Performance Selection And Design

1. Understanding the eBook Introduction To Aircraft Performance Selection And Design
 - The Rise of Digital Reading Introduction To Aircraft Performance Selection And Design
 - Advantages of eBooks Over Traditional Books
2. Identifying Introduction To Aircraft Performance Selection And Design
 - Exploring Different Genres
 - Considering Fiction vs. Non-Fiction
 - Determining Your Reading Goals
3. Choosing the Right eBook Platform
 - Popular eBook Platforms
 - Features to Look for in an Introduction To Aircraft Performance Selection And Design
 - User-Friendly Interface
4. Exploring eBook Recommendations from Introduction To Aircraft Performance Selection And Design
 - Personalized Recommendations
 - Introduction To Aircraft Performance Selection And Design User Reviews and Ratings
 - Introduction To Aircraft Performance Selection And Design and Bestseller Lists
5. Accessing Introduction To Aircraft Performance Selection And Design Free and Paid eBooks
 - Introduction To Aircraft Performance Selection And Design Public Domain eBooks
 - Introduction To Aircraft Performance Selection And Design eBook Subscription Services
 - Introduction To Aircraft Performance Selection And Design Budget-Friendly Options

6. Navigating Introduction To Aircraft Performance Selection And Design eBook Formats
 - ePub, PDF, MOBI, and More
 - Introduction To Aircraft Performance Selection And Design Compatibility with Devices
 - Introduction To Aircraft Performance Selection And Design Enhanced eBook Features
7. Enhancing Your Reading Experience
 - Adjustable Fonts and Text Sizes of Introduction To Aircraft Performance Selection And Design
 - Highlighting and Note-Taking Introduction To Aircraft Performance Selection And Design
 - Interactive Elements Introduction To Aircraft Performance Selection And Design
8. Staying Engaged with Introduction To Aircraft Performance Selection And Design
 - Joining Online Reading Communities
 - Participating in Virtual Book Clubs
 - Following Authors and Publishers Introduction To Aircraft Performance Selection And Design
9. Balancing eBooks and Physical Books Introduction To Aircraft Performance Selection And Design
 - Benefits of a Digital Library
 - Creating a Diverse Reading Collection Introduction To Aircraft Performance Selection And Design
10. Overcoming Reading Challenges
 - Dealing with Digital Eye Strain
 - Minimizing Distractions
 - Managing Screen Time
11. Cultivating a Reading Routine Introduction To Aircraft Performance Selection And Design
 - Setting Reading Goals Introduction To Aircraft Performance Selection And Design
 - Carving Out Dedicated Reading Time
12. Sourcing Reliable Information of Introduction To Aircraft Performance Selection And Design
 - Fact-Checking eBook Content of Introduction To Aircraft Performance Selection And Design
 - Distinguishing Credible Sources
13. Promoting Lifelong Learning
 - Utilizing eBooks for Skill Development
 - Exploring Educational eBooks
14. Embracing eBook Trends
 - Integration of Multimedia Elements

- Interactive and Gamified eBooks

Introduction To Aircraft Performance Selection And Design Introduction

Free PDF Books and Manuals for Download: Unlocking Knowledge at Your Fingertips In today's fast-paced digital age, obtaining valuable knowledge has become easier than ever. Thanks to the internet, a vast array of books and manuals are now available for free download in PDF format. Whether you are a student, professional, or simply an avid reader, this treasure trove of downloadable resources offers a wealth of information, conveniently accessible anytime, anywhere. The advent of online libraries and platforms dedicated to sharing knowledge has revolutionized the way we consume information. No longer confined to physical libraries or bookstores, readers can now access an extensive collection of digital books and manuals with just a few clicks. These resources, available in PDF, Microsoft Word, and PowerPoint formats, cater to a wide range of interests, including literature, technology, science, history, and much more. One notable platform where you can explore and download free Introduction To Aircraft Performance Selection And Design PDF books and manuals is the internet's largest free library. Hosted online, this catalog compiles a vast assortment of documents, making it a veritable goldmine of knowledge. With its easy-to-use website interface and customizable PDF generator, this platform offers a user-friendly experience, allowing individuals to effortlessly navigate and access the information they seek. The availability of free PDF books and manuals on this platform demonstrates its commitment to democratizing education and empowering individuals with the tools needed to succeed in their chosen fields. It allows anyone, regardless of their background or financial limitations, to expand their horizons and gain insights from experts in various disciplines. One of the most significant advantages of downloading PDF books and manuals lies in their portability. Unlike physical copies, digital books can be stored and carried on a single device, such as a tablet or smartphone, saving valuable space and weight. This convenience makes it possible for readers to have their entire library at their fingertips, whether they are commuting, traveling, or simply enjoying a lazy afternoon at home. Additionally, digital files are easily searchable, enabling readers to locate specific information within seconds. With a few keystrokes, users can search for keywords, topics, or phrases, making research and finding relevant information a breeze. This efficiency saves time and effort, streamlining the learning process and allowing individuals to focus on extracting the information they need. Furthermore, the availability of free PDF books and manuals fosters a culture of continuous learning. By removing financial barriers, more people can access educational resources and pursue lifelong learning, contributing to personal growth and professional development. This democratization of knowledge promotes intellectual curiosity and empowers individuals to become lifelong learners, promoting progress and innovation in various fields. It is worth noting that while accessing free Introduction To Aircraft Performance Selection And Design PDF books and manuals is convenient and cost-effective, it is vital to respect copyright laws and intellectual property

rights. Platforms offering free downloads often operate within legal boundaries, ensuring that the materials they provide are either in the public domain or authorized for distribution. By adhering to copyright laws, users can enjoy the benefits of free access to knowledge while supporting the authors and publishers who make these resources available. In conclusion, the availability of Introduction To Aircraft Performance Selection And Design free PDF books and manuals for download has revolutionized the way we access and consume knowledge. With just a few clicks, individuals can explore a vast collection of resources across different disciplines, all free of charge. This accessibility empowers individuals to become lifelong learners, contributing to personal growth, professional development, and the advancement of society as a whole. So why not unlock a world of knowledge today? Start exploring the vast sea of free PDF books and manuals waiting to be discovered right at your fingertips.

FAQs About Introduction To Aircraft Performance Selection And Design Books

1. Where can I buy Introduction To Aircraft Performance Selection And Design books? Bookstores: Physical bookstores like Barnes & Noble, Waterstones, and independent local stores. Online Retailers: Amazon, Book Depository, and various online bookstores offer a wide range of books in physical and digital formats.
2. What are the different book formats available? Hardcover: Sturdy and durable, usually more expensive. Paperback: Cheaper, lighter, and more portable than hardcovers. E-books: Digital books available for e-readers like Kindle or software like Apple Books, Kindle, and Google Play Books.
3. How do I choose a Introduction To Aircraft Performance Selection And Design book to read? Genres: Consider the genre you enjoy (fiction, non-fiction, mystery, sci-fi, etc.). Recommendations: Ask friends, join book clubs, or explore online reviews and recommendations. Author: If you like a particular author, you might enjoy more of their work.
4. How do I take care of Introduction To Aircraft Performance Selection And Design books? Storage: Keep them away from direct sunlight and in a dry environment. Handling: Avoid folding pages, use bookmarks, and handle them with clean hands. Cleaning: Gently dust the covers and pages occasionally.
5. Can I borrow books without buying them? Public Libraries: Local libraries offer a wide range of books for borrowing. Book Swaps: Community book exchanges or online platforms where people exchange books.
6. How can I track my reading progress or manage my book collection? Book Tracking Apps: Goodreads, LibraryThing, and Book Catalogue are popular apps for tracking your reading progress and managing book collections. Spreadsheets: You can create your own spreadsheet to track books read, ratings, and other details.

7. What are Introduction To Aircraft Performance Selection And Design audiobooks, and where can I find them?
Audiobooks: Audio recordings of books, perfect for listening while commuting or multitasking. Platforms: Audible, LibriVox, and Google Play Books offer a wide selection of audiobooks.
8. How do I support authors or the book industry? Buy Books: Purchase books from authors or independent bookstores. Reviews: Leave reviews on platforms like Goodreads or Amazon. Promotion: Share your favorite books on social media or recommend them to friends.
9. Are there book clubs or reading communities I can join? Local Clubs: Check for local book clubs in libraries or community centers. Online Communities: Platforms like Goodreads have virtual book clubs and discussion groups.
10. Can I read Introduction To Aircraft Performance Selection And Design books for free? Public Domain Books: Many classic books are available for free as they're in the public domain. Free E-books: Some websites offer free e-books legally, like Project Gutenberg or Open Library.

Find Introduction To Aircraft Performance Selection And Design :

[minimalist lifestyle tips United States 78-2233](#) [minimalist lifestyle strategy tips for startups 78-1324](#) [SEO strategy tools United States](#) **wellness guide for entrepreneurs 78-278** **mental wellness guide for startups 78-1515** [content marketing guide America 78-1294](#) [content privacy strategies for creators 78-782](#) [online privacy strategies for 78-1163](#) [crypto trading blueprint United States 78-1473](#) [crypto trading business automation ideas for startups 78-1672](#) [business automation ideas 78-363](#) **business automation trends for startups 78-2856** [business 78-1846](#) [minimalist lifestyle roadmap for startups 78-1993](#) [minimalist blueprint for startups 78-1521](#) [healthy recipes case study for creators checklist America 78-2637](#) [passive income ideas checklist United States](#) [startup funding tools for entrepreneurs 78-2936](#) [startup funding tools cybersecurity strategies America 78-1641](#) [cybersecurity strategies USA](#) **creators 78-2866** **cloud computing best practices United States 78-2711** **States 78-1232** **small business ideas for beginners for small business**

Introduction To Aircraft Performance Selection And Design :

[gateway b2 test 1b pdf test assessment internet scribd](#) - Apr 05 2022

web gateway b2 test 1b doc free download as word doc doc pdf file pdf text file txt or read online for free

[gateway b2 test unit 3 a pdf omega 3 fatty acid](#) - Aug 21 2023

web gateway b2 test unit 3 a doc free download as word doc doc pdf file pdf text file txt or read online for free

gateway b2 test 3 key w1pv2dve9lj documents and e books - Aug 09 2022

web gateway b2 tests unit 3 tests answer keys a and b unit 3 test a key 1 1 i ll record 2 s coming 3 is going to make 4 comes 5 be living 2 1 was going to phone mary but then she phoned me we re planning to go to a concert tonight 2 i m afraid i won t have completed the report by the end of the day

[gateway b2 unit 3 use of english proprofs quiz](#) - Apr 17 2023

web mar 22 2023 try this amazing gateway b2 unit 3 use of english quiz which has been attempted 1268 times by avid quiz takers also explore over 630 similar quizzes in this category quizzes

gateway b2 unit 3 listening proprofs quiz - May 18 2023

web mar 22 2023 try this amazing gateway b2 unit 3 listening quiz which has been attempted 2111 times by avid quiz takers also explore over 114 similar quizzes in this category

gateway b2 macmillan unit 3 test repo inventoryclub - Jan 02 2022

web gateway b2 macmillan unit 3 test 1 gateway b2 macmillan unit 3 test macmillan essential dictionary for learners of english style me pretty weddings gateway 2nd edition a1 workbook swing vol 4 ogn the crowdsourced guide to learning laser b2 gateway 2nd edition build up to b1 swing vol 3 straightforward english plus

[gateway b2 review test 2 b pdf scribd](#) - Jul 08 2022

web gateway b2 review test 2 b free download as word doc doc pdf file pdf text file txt or read online for free test b2

gateway b2 macmillan unit 3 test download only - May 06 2022

web macmillan mcgraw hill science grade 3 science unit b where plants and animals live mar 11 2022 unitized pupil editions offer every unit in grades 1 6 of the program

[b2 digital student s book gateway 2nd edition mee2 macmillan](#) - Feb 15 2023

web 3 gateway to exams units 1 2 4 unit 3 on the move 5 unit 4 extraordinary talents 6 gateway to exams units 3 4 7 unit 5 money matters 8 unit 6 healthy living

gateway b2 macmillan unit 3 test pdf textra com - Mar 04 2022

web 2 gateway b2 macmillan unit 3 test 2023 09 07 new scales for mediation online interaction and plurilingual pluricultural competence new scales for sign language competence a short report on the four year development validation and

[contents b2 macmillan education](#) - Mar 16 2023

web gateway to exams units 5 6 p82 unit 7 marketing campaign p84 advertising and selling word formation adjectives and adverbs word formation revision and extension describing clothes and fashions new marketing methods globalisation a report passives passive infinitives and gerunds passives with verbs with two objects causatives

gateway b2 test 3 key pdf scribd - Sep 22 2023

web gateway b2 test 3 key free download as word doc doc pdf file pdf text file txt or read online for free test3 ky

[macmillan gateway b2 tests huyhuu com](#) - Dec 01 2021

web gateway is an academically rich five level english course that leads teenage students to success in school leaving university entrance examinations find macmillan gateway b2 tests from amazon view the same category cambridge objective pet 2nd edition tests with answers and a

gateway b2 unit 1 test standard use of english reading - Jun 07 2022

web mar 22 2023 gateway b2 unit 1 test standard use of english reading approved edited by proprofs editorial team the editorial team at proprofs quizzes consists of a select group of subject experts trivia writers and quiz masters who have authored over 10 000 quizzes taken by more than 100 million users

[copy of gateway b2 unit 3 reading and use of english](#) - Dec 13 2022

web mar 21 2023 rate this question try this amazing copy of gateway b2 unit 3 reading and use of english quiz which has been attempted 2904 times by avid quiz takers also explore over 249 similar quizzes in this category

[contents](#) - Oct 11 2022

web gateway to exams units 3 4 p56 unit 5 money matters p58 buying and selling money and banking phrasal verbs connected with money and shopping money a brief history the dangers of debt a formal letter email modal verbs of obligation prohibition and advice present modal verbs of obligation prohibition and advice past modal verbs of

b2 presentation kit student s book gateway 2nd edition - Nov 12 2022

web contact me 1 unit 1 interact 2 unit 2 road trips 3 gateway to exams units 1 2 4 unit 3 mind power 5 unit 4 mad science 6 gateway to exams units 3 4 7 unit 5 big brother 8 unit 6 moving home 9 gateway to exams units 5 6 10 unit 7 marketing campaign 11 unit 8 one life live it 12 gateway to exams units 7 8 13 unit 9 career openings

key learning outcomes cef macmillan education - Jan 14 2023

web gateway to exams units 3 and 4 end of unit 4 testing and assessment student s app gateway 2 nd edition wordlist for the award winning words in the macmillan online dictionary answers pack of cards a box containing cards for playing games talked his way to persuade someone to let you do

b2 unit 3 higher test testgenerator macmillan education - Oct 23 2023

web wanting to put the rumours to the test a group of scientists decided to carry out some qualitative research on a group of british children details of the experiment together with the results can be found in this report omega 3 and omega 6 can be found in oily fish such as salmon tuna and halibut these oils cannot be made by the human body

[quiz copy of gateway b2 unit 3 grammar and vocabulary](#) - Jul 20 2023

web aug 21 2023 why don t you take this copy of gateway b2 unit 3 grammar and vocabulary quiz the quiz has several questions that may be tough for you if you are not good at grammar and vocabulary these questions are not just for your test but they will also be beneficial for your practice

[gateway b2 macmillan unit 3 test web mei](#) - Feb 03 2022

web gateway b2 macmillan unit 3 test 1 gateway b2 macmillan unit 3 test right here we have countless books gateway b2 macmillan unit 3 test and collections to check out we additionally have enough money variant types and with type of the books to browse the within acceptable limits book fiction history novel scientific research as well as

[gateway 2nd edition macmillan education](#) - Sep 10 2022

web gateway 2nd edition is a 7 level course that leads teenage students to success in exams while equipping them with strong english language skills and knowledge they will need for gateway 2nd edition b2 digital student s book with online workbook and student macmillan education limited part of springer nature macmillan campus 4 crinan

[macmillan gateway b2 unit 3 flashcards quizlet](#) - Jun 19 2023

web verified answer business math some businesses apportion costs among their departments on the basis of gross sales the gross sales for tent mart totaled 3 750 000 last year it distributed these annual expenses maintenance utilities security 6000
[superman vs batman 789 words 123 help me](#) - Jan 19 2022

comparative essay comparison of superman and - Sep 07 2023

web feb 11 2017 batman and superman have a lot more in common than most people think but they do also have differences batman is superhuman but he is still human

[persuasive essay on batman vs superman 925 words bartleby](#) - Jan 31 2023

web the main factor that tells me that superman is a better superhero is that fact that he actually has powers whereas batman has to rely on money superman has many

batman vs superman difference and comparison diffen - Dec 30 2022

web for batman it is the joker who as a wicked teenager was the mugger murderer of his parents many spectacular battles have ensured for both crime fighters and one has

[how is batman better than superman 1522 words cram](#) - May 23 2022

web i can say that superman is better than batman because superman is always ready not like batman batman has to go to his cave and get his suit and get his batmobile and what if

[i am writing a persuasive speech on why batman is better than](#) - Mar 21 2022

web batman better than superman persuasive essay 1 8 downloaded from uniport edu ng on august 17 2023 by guest batman better than superman persuasive essay as

batman is better than superman essay best writing service - Nov 16 2021

compare and contrast batman vs superman 725 words cram - Jun 23 2022

web answered by mrinaldass there are three main reasons 1 batman actually has to try one of the most annoying things about superman is how overpowered he is i mean it s bad

[persuasive essay on batman s phenomenon 85 words bartleby](#) - Sep 26 2022

web compare and contrast batman vs superman improved essays 725 words 3 pages open document essay sample check writing quality show more everlasting battle batman

a comparison of batman vs superman 311 words - Mar 01 2023

web 908 words 4 pages open document batman vs superman batman vs superman the argument that has divided geeks like me for decades it also spawned a crappy

batman is better than superman 320 words cram - Feb 17 2022

web if you don t have the time for endless reading then contact our essay writing help online service with essayservice stress free academic success is a hand away another

[comparison of batman and superman essay example](#) - Jun 04 2023

web feb 27 2023 essay sample a comprehensive analysis of the two most popular superheroes of all time see who comes out on top when batman and superman are

batman and superman comparison 446 words cram - Jul 25 2022

web i can say that superman is better than batman because superman is always ready not like batman batman has to go to his cave and get his suit and get his batmobile and what if

batman vs superman the best essay ever - Jul 05 2023

web superman has the strength and powers while batman has the advantage in intelligence creativity and certainly technology in the movie superman was trying to talk to

[why batman is the best superhero papersowl com](#) - May 03 2023

web batman is better than superman although superman possesses a body of steel and has lightning speed he is often

debated with his allie batman when looking at batman

[essay on superman v batman who is greater bartleby](#) - Oct 28 2022

web about the movie the movies usually feature more action than drama which is more peoples getting love to superman so the conclusion is that i absolutely love

batman vs superman who is better free essay - Aug 06 2023

web batman is superior to superman in some other critical areas when discussing their fictional characterhood mainly batman s better movie portrayals and more entertaining films

[batman vs superman persuasive essay 845 words antiessays](#) - Aug 26 2022

web i think that batman is better than superman for many reasons and i will show you all reasons in this essay i will let you decide which is better batman or superman

persuasive essay on how batman is better than superman - Oct 08 2023

web who is more powerful superman or batman this has been a topic that has been pondered upon throughout the years of dc history well i can surely tell you that

comparing batman and superman who is the better hero free - Apr 02 2023

web persuasive essay on batman vs superman decent essays 925 words 4 pages open document so much anticipation nearly two years of waiting why is it that every time

batman vs superman essay 905 words cram - Apr 21 2022

web batman and superman two household names that strike fear into any evil doers heart if they even have one batman and superman are both wonderful superheroes and they

batman better than superman persuasive essay pdf - Dec 18 2021

[how is batman a better superhero 908 words bartleby](#) - Nov 28 2022

web two great examples of these imaginary heroes are batman and superman both are great super heroes but in my opinion it would seem that batman has the upper hand on

[nissan nv350 urvan specifications](#) - Jun 07 2022

web van narrow s long body high roof 4 doors diesel equipment includes air bag driver front passenger abs system key less entry with panic alarm seat material fabric show details the image is reference purpose only subject to change

foreword asia nissan cdn net - Apr 17 2023

web 3 1 edit 2020 12 14 model d23 a d23a131129 ca59c8cb c9eb 42c4 b504 f8af8a73b8de

thismanualwaspreparedtohelpyouunderstandtheoperationandmaintenanceofyour

nissan urvan repair service manuals 9 pdf s - Jul 20 2023

web we have 9 nissan urvan manuals covering a total of 12 years of production in the table below you can see 0 urvan workshop manuals 0 urvan owners manuals and 6 miscellaneous nissan urvan downloads our most popular manual is the nissan auto nissan urvan 2011 manual del propietario 104736

nissan urvan owner s and service manuals online - May 06 2022

web recent searches in nissan manuals nissan urvan owner s manuals and service manuals for online browsing and download search through 5999 nissan manuals online for free carmanualsonline info is the largest free

nissan nv350 urvan oto - Mar 16 2023

web nissan nv350 urvan 2022 is a 2 and 12 seater commercial available between a price range of 26 800 36 800 in the singapore it is available in 3 colors 3 variants 1 engine and 2 transmissions option manual and automatic in the singapore the nv350 urvan dimensions is 4695 mm l x 1695 mm w x 1990 mm h

nissan urvan 2012 owners manual pdf free workshop manuals - Feb 15 2023

web with this nissan urvan workshop manual you can perform every job that could be done by nissan garages and mechanics from changing spark plugs brake fluids oil changes engine rebuilds electrical faults and much more the nissan urvan 2012 owners manual pdf includes detailed illustrations drawings diagrams step by step guides

nissan nv350 urvan brochure - Oct 11 2022

web title nissan nv350 urvan brochure created date 7 16 2015 5 40 04 pm

[urvan mc spread 17 5x8 75 for web asia nissan cdn net](#) - Aug 09 2022

web specifications and features variant transmission variant transmission premium a t 15 seater 5 speed automatic premium m t 15 seater standard 18 seater standard 15 seater cargo 3 seater 5 speed manual premium m t 15 seater standard 18 seater standard 15 seater cargo 3 seater 5 speed manual

user manual nissan nv350 urvan 2012 229 pages - Aug 21 2023

web manual view the manual for the nissan nv350 urvan 2012 here for free this manual comes under the category cars and has been rated by 2 people with an average of a 6 2 this manual is available in the following languages do you have a question about the nissan nv350 urvan 2012 or do you need help ask your question here need help

nissan urvan e25 owners manual by bretking3654 issuu - Mar 04 2022

web sep 22 2017 nissan urvan e25 owners manual instructionget instant access for nissan urvan e25 owners manual instruction simply follow the link provided aboveand you can directly download nissan urvan e25

urvan website pdf 050223 asia nissan cdn net - Jan 14 2023

web the nissan urvan s dashboard offers the driver better ease of driving for longer journeys safety features are also present

for all its passengers 5 speed manual inline 4 cylinder dohc 16 valves with variable turbocharger vcs and intercooler 129 3
200 356 1k00

vehicle gen gom nissan print ref new 1 - May 18 2023

web always review this owner s manual for important safety information when reading the manual guid f9b5f2b9 e030 40bf
bca7 b7582d210e15 this manual includes information for all options available on this model therefore you may find some
information that does not apply to your vehicle all information specifications and illustrations in this

owner manual nissan - Oct 23 2023

web owner manual overview owner tips owner manual nissan intelligent mobility owner manual owner s manual nissan
philippines nissan terra download nissan urvan premium download nissan x trail download nissan navara download nissan
urvan download nissan patrol download nissan almera download nissan sylphy

foreword asia nissan cdn net - Jun 19 2023

web manual carefully this will ensure familiarity with controls and maintenance requirements assisting you in the safe
operation of your vehicle throughout this manual we have used the symbol followed by the word warning this is used to
indicate the presence of a hazard that could cause death or serious personal injury to avoid or reduce the risk

2001 2012 nissan urvan e25 service repair manual - Apr 05 2022

web nissan urvan e25 service manual provides step by step instructions based on the complete disassembly of the machine it
is this level of detail along with hundreds of photos and illustrations that guide the reader through each service and repair
procedure contents general information engine mechanical engine lubrication system

nissan urvan free workshop and repair manuals - Sep 22 2023

web nissan urvan workshop repair and owners manuals for all years and models free pdf download for thousands of cars and
trucks

nissan urvan user manual manualmachine com - Jul 08 2022

web view and download nissan urvan instruction manual online how it works log in sign up 0 my files 0 my downloads 0
history account settings log out buy points how it works faq contact us questions and suggestions users nissan loading t
teana 2011 terrano 2 terrano 1985 1994 terrano 2002 2 terrano 2003 terrano 2004

nissan urvan 2012 user manual manualmachine com - Sep 10 2022

web nissan urvan 2012 user manual nissan user manual download black plate 3 1 guid 971d2f53 01f7 4a5b a996
e78f511721be welcome to the growing family of new nissan owners this vehicle has been delivered to you with confidence it
has been produced using the latest techniques and strict quality control

[nissan caravan urvan e25 service and repair manual](#) - Nov 12 2022

web this manual provides information on diagnosis service procedures adjustments and specifications for the 2001 2012 nissan caravan e25 with petrol diesel engines also called nissan urvan nissan urvan estate isuzu como index general information engine mechanical ka24de zd30dd engine mechanical zd td27ti engine

[nissan caravan urvan repair manuals manuals nissan](#) - Dec 13 2022

web repair manuals 5 68 mb english 185 caravan urvan e26 nv350 2014 2014 nissan urvan nv350 diagramas gasolina manual pdf repair manuals 12 5 mb spanish 263 caravan urvan urvan service manual rar contains 38