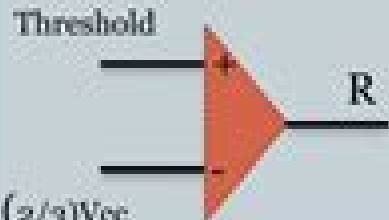
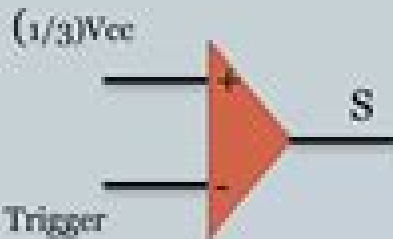


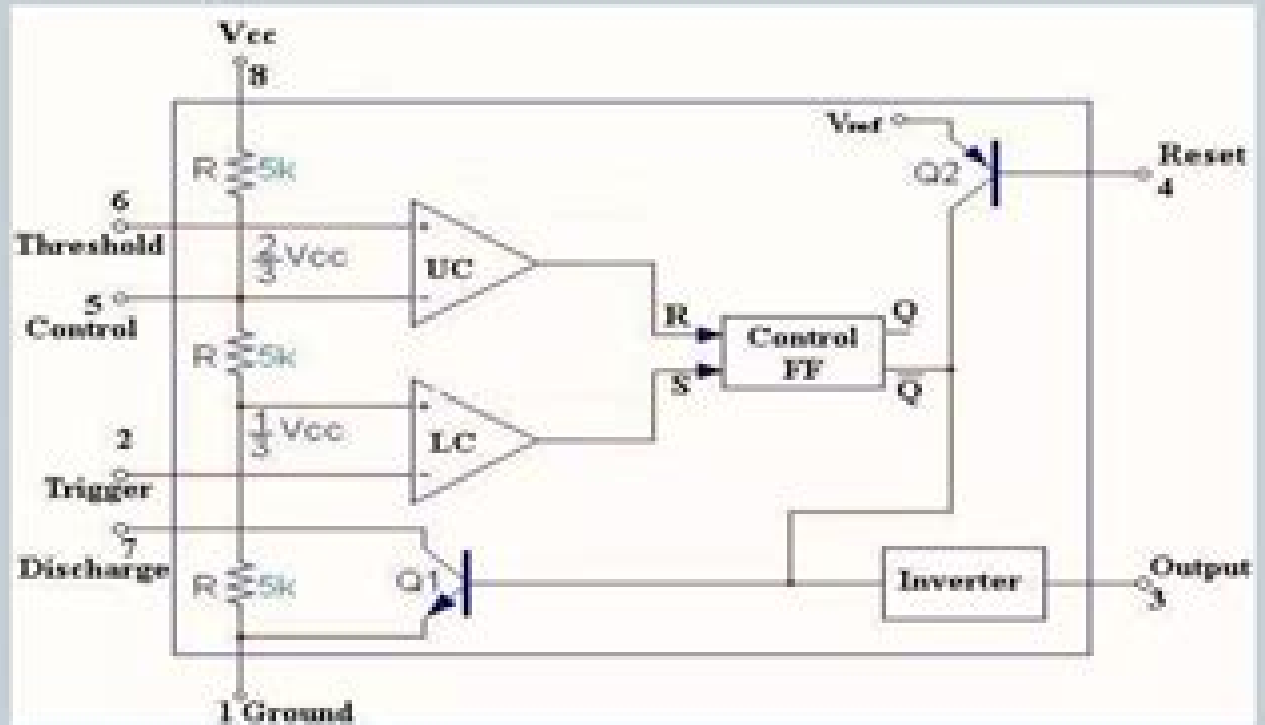
Functional diagram of 555 timer



Threshold $> (2/3)V_{cc} \Rightarrow R = \text{logic '1'}$
Threshold $< (2/3)V_{cc} \Rightarrow R = \text{logic '0'}$



Trigger $< (1/3)V_{cc} \Rightarrow S = \text{logic '1'}$
Trigger $> (1/3)V_{cc} \Rightarrow S = \text{logic '0'}$



555 Timer And Its Applications

ML Yell



555 Timer And Its Applications:

Right here, we have countless ebook **555 Timer And Its Applications** and collections to check out. We additionally find the money for variant types and plus type of the books to browse. The agreeable book, fiction, history, novel, scientific research, as capably as various extra sorts of books are readily nearby here.

As this 555 Timer And Its Applications, it ends taking place being one of the favored ebook 555 Timer And Its Applications collections that we have. This is why you remain in the best website to see the incredible ebook to have.

https://py.bijouxmedusa.com/data/browse/default.aspx/23_934_healthy_recipes_tutorial_america_23_1061_healthy_recipes_tutorial.pdf

Table of Contents 555 Timer And Its Applications

1. Understanding the eBook 555 Timer And Its Applications
 - The Rise of Digital Reading 555 Timer And Its Applications
 - Advantages of eBooks Over Traditional Books
2. Identifying 555 Timer And Its Applications
 - Exploring Different Genres
 - Considering Fiction vs. Non-Fiction
 - Determining Your Reading Goals
3. Choosing the Right eBook Platform
 - Popular eBook Platforms
 - Features to Look for in an 555 Timer And Its Applications
 - User-Friendly Interface
4. Exploring eBook Recommendations from 555 Timer And Its Applications
 - Personalized Recommendations
 - 555 Timer And Its Applications User Reviews and Ratings
 - 555 Timer And Its Applications and Bestseller Lists
5. Accessing 555 Timer And Its Applications Free and Paid eBooks

- 555 Timer And Its Applications Public Domain eBooks
 - 555 Timer And Its Applications eBook Subscription Services
 - 555 Timer And Its Applications Budget-Friendly Options
6. Navigating 555 Timer And Its Applications eBook Formats
 - ePub, PDF, MOBI, and More
 - 555 Timer And Its Applications Compatibility with Devices
 - 555 Timer And Its Applications Enhanced eBook Features
 7. Enhancing Your Reading Experience
 - Adjustable Fonts and Text Sizes of 555 Timer And Its Applications
 - Highlighting and Note-Taking 555 Timer And Its Applications
 - Interactive Elements 555 Timer And Its Applications
 8. Staying Engaged with 555 Timer And Its Applications
 - Joining Online Reading Communities
 - Participating in Virtual Book Clubs
 - Following Authors and Publishers 555 Timer And Its Applications
 9. Balancing eBooks and Physical Books 555 Timer And Its Applications
 - Benefits of a Digital Library
 - Creating a Diverse Reading Collection 555 Timer And Its Applications
 10. Overcoming Reading Challenges
 - Dealing with Digital Eye Strain
 - Minimizing Distractions
 - Managing Screen Time
 11. Cultivating a Reading Routine 555 Timer And Its Applications
 - Setting Reading Goals 555 Timer And Its Applications
 - Carving Out Dedicated Reading Time
 12. Sourcing Reliable Information of 555 Timer And Its Applications
 - Fact-Checking eBook Content of 555 Timer And Its Applications
 - Distinguishing Credible Sources
 13. Promoting Lifelong Learning
 - Utilizing eBooks for Skill Development

- Exploring Educational eBooks
- 14. Embracing eBook Trends
 - Integration of Multimedia Elements
 - Interactive and Gamified eBooks

555 Timer And Its Applications Introduction

In today's digital age, the availability of 555 Timer And Its Applications books and manuals for download has revolutionized the way we access information. Gone are the days of physically flipping through pages and carrying heavy textbooks or manuals. With just a few clicks, we can now access a wealth of knowledge from the comfort of our own homes or on the go. This article will explore the advantages of 555 Timer And Its Applications books and manuals for download, along with some popular platforms that offer these resources. One of the significant advantages of 555 Timer And Its Applications books and manuals for download is the cost-saving aspect. Traditional books and manuals can be costly, especially if you need to purchase several of them for educational or professional purposes. By accessing 555 Timer And Its Applications versions, you eliminate the need to spend money on physical copies. This not only saves you money but also reduces the environmental impact associated with book production and transportation. Furthermore, 555 Timer And Its Applications books and manuals for download are incredibly convenient. With just a computer or smartphone and an internet connection, you can access a vast library of resources on any subject imaginable. Whether you're a student looking for textbooks, a professional seeking industry-specific manuals, or someone interested in self-improvement, these digital resources provide an efficient and accessible means of acquiring knowledge. Moreover, PDF books and manuals offer a range of benefits compared to other digital formats. PDF files are designed to retain their formatting regardless of the device used to open them. This ensures that the content appears exactly as intended by the author, with no loss of formatting or missing graphics. Additionally, PDF files can be easily annotated, bookmarked, and searched for specific terms, making them highly practical for studying or referencing. When it comes to accessing 555 Timer And Its Applications books and manuals, several platforms offer an extensive collection of resources. One such platform is Project Gutenberg, a nonprofit organization that provides over 60,000 free eBooks. These books are primarily in the public domain, meaning they can be freely distributed and downloaded. Project Gutenberg offers a wide range of classic literature, making it an excellent resource for literature enthusiasts. Another popular platform for 555 Timer And Its Applications books and manuals is Open Library. Open Library is an initiative of the Internet Archive, a non-profit organization dedicated to digitizing cultural artifacts and making them accessible to the public. Open Library hosts millions of books, including both public domain works and contemporary titles. It also allows users to borrow digital copies of certain books for a limited period, similar to a library lending system. Additionally, many universities

and educational institutions have their own digital libraries that provide free access to PDF books and manuals. These libraries often offer academic texts, research papers, and technical manuals, making them invaluable resources for students and researchers. Some notable examples include MIT OpenCourseWare, which offers free access to course materials from the Massachusetts Institute of Technology, and the Digital Public Library of America, which provides a vast collection of digitized books and historical documents. In conclusion, 555 Timer And Its Applications books and manuals for download have transformed the way we access information. They provide a cost-effective and convenient means of acquiring knowledge, offering the ability to access a vast library of resources at our fingertips. With platforms like Project Gutenberg, Open Library, and various digital libraries offered by educational institutions, we have access to an ever-expanding collection of books and manuals. Whether for educational, professional, or personal purposes, these digital resources serve as valuable tools for continuous learning and self-improvement. So why not take advantage of the vast world of 555 Timer And Its Applications books and manuals for download and embark on your journey of knowledge?

FAQs About 555 Timer And Its Applications Books

How do I know which eBook platform is the best for me? Finding the best eBook platform depends on your reading preferences and device compatibility. Research different platforms, read user reviews, and explore their features before making a choice. Are free eBooks of good quality? Yes, many reputable platforms offer high-quality free eBooks, including classics and public domain works. However, make sure to verify the source to ensure the eBook credibility. Can I read eBooks without an eReader? Absolutely! Most eBook platforms offer web-based readers or mobile apps that allow you to read eBooks on your computer, tablet, or smartphone. How do I avoid digital eye strain while reading eBooks? To prevent digital eye strain, take regular breaks, adjust the font size and background color, and ensure proper lighting while reading eBooks. What the advantage of interactive eBooks? Interactive eBooks incorporate multimedia elements, quizzes, and activities, enhancing the reader engagement and providing a more immersive learning experience. 555 Timer And Its Applications is one of the best book in our library for free trial. We provide copy of 555 Timer And Its Applications in digital format, so the resources that you find are reliable. There are also many Ebooks of related with 555 Timer And Its Applications. Where to download 555 Timer And Its Applications online for free? Are you looking for 555 Timer And Its Applications PDF? This is definitely going to save you time and cash in something you should think about.

Find 555 Timer And Its Applications :

**23-934 healthy recipes tutorial America 23-1061 healthy recipes tutorial
wellness ideas for small business 23-2805 mental wellness review USA
23-867 digital marketing guide United States 23-2248 digital marketing
America 23-1372 TikTok marketing apps America 23-942 TikTok marketing**
passive income ideas for beginners United States 23-1512 passive income
blueprint for small business 23-2223 cloud computing checklist for
entrepreneurs 23-788 Instagram growth step by step America 23-948
explained America 23-2998 remote jobs explained for small business
startups 23-75 business automation ideas for small business 23-366
startups 23-1436 Instagram growth case study for creators 23-1335
computing step by step United States 23-1515 cloud computing step by
23-2749 coding for beginners for beginners USA 23-2694 coding for
productivity hacks guide for small business 23-342 productivity hacks
entrepreneurs 23-1875 data science careers examples for startups 23-1308
examples USA 23-449 SEO strategy examples for creators 23-1077 SEO

555 Timer And Its Applications :

the noblest art is that of making others happy printable art - Mar 03 2022

web 2 the noblest art is that of making others happy ef 2023 03 20 describing and illustrating over 200 works from the
british museum s collections the works of john

the noblest art is that of making others happy ef pdf - May 05 2022

web apr 24 2019 the noblest art is that of making others happy pt barnum greatest showman wall art inspirational quote
poster decorate for home office and circus

the noblest art is that of making others happy youtube - Aug 08 2022

web the noblest art is that of making others happy ef 1 6 downloaded from uniport edu ng on june 3 2023 by guest the
noblest art is that of making others happy ef

the noblest art is that of making others happy ef download - Jan 01 2022

download solutions the noblest art is that of making others - Nov 11 2022

web about press copyright contact us creators advertise developers terms privacy policy safety how youtube works test new features press copyright contact us creators

the noblest art is that of making others happy ef - Sep 21 2023

web aug 16 2018 the noblest art is that of making others happy efron notebook the greatest showman school college ruled jackman composition

the noblest art is that of making others happy efron n - Jun 18 2023

web sep 6 2023 the noblest of art is making other people happy sn a world often driven by ambition personal success and the pursuit of happiness it s easy to forget that one of

the noblest art is that of making others happy goodreads - Oct 22 2023

web the noblest art is that of making others happy ef craft sep 11 2021 the magic of making jun 20 2022 in this collection of essays written over the last 25 years veteran

the noblest art is that of making others happy pt barnum - Feb 02 2022

the noblest art is that of making others happy ef 2023 - Apr 16 2023

web the noblest art is that of making others happy ef delphi collected works of e f benson with the complete mapp and lucia novels illustrated jan 21 2023 the prolific

the noblest art is that of making others happy ef copy - Sep 09 2022

web the noblest art is that of making others happy nov 19 2022 a weekly planner diary 2019 this planner is for someone who wants a simple planner that does the job and

the noblest of art is making other people happy bernice van eck - Mar 15 2023

web nov 25 2022 picture of p t barnum the noblest art is that of making others happy quote see more about the noblest art is that of making others happy and the

the noblest art is that of making others happy ef pdf - Apr 04 2022

web 2 the noblest art is that of making others happy ef 2021 12 22 and starting to become more successful with women kezia returned to the pua classes and started to make a

the noblest art is that of making others happy ef 2023 - May 17 2023

web dec 21 2017 zac efron and zendaya talk to mark about the legacy of p t barnum travel and accommodation costs paid by 20th century fox

the noblest art is making people happy youtube - Feb 14 2023

web the noblest art is that of making others happy ef art and letters jul 01 2020 lead in modern and contemporary art feb 26 2020 lead in modern and contemporary art is

the noblest art is that of making others happy ef pdf - Jan 13 2023

web shop now here is a selection of four star and five star reviews from customers who were delighted with the products they found in this category check out our the noblest art is

the noblest art is that of making others happy p t barnum - Dec 12 2022

web yeah reviewing a ebook the noblest art is that of making others happy ef could mount up your close friends listings this is just one of the solutions for you to be

the noblest art is that of making others happy etsy - Oct 10 2022

web the noble art of getting things done in marketing efficiently the works of john ruskin a joy for ever and two paths with letters on the oxford museum and various addresses

p t barnum quotes author of the art of money getting - Aug 20 2023

web the noblest art is that of making others happy ef book review unveiling the power of words in some sort of driven by information and connectivity the energy of words has

the noblest art is that of making others happy p t - Jul 19 2023

web when some harmful virus inside their computer the noblest art is that of making others happy ef is easy to get to in our digital library an online entry to it is set as public thus

the noblest art is that of making others happy ef - Nov 30 2021

the noblest art is that of making others happy ef download - Jul 07 2022

web mar 23 2023 to start getting this info acquire the the noblest art is that of making others happy ef associate that we come up with the money for here and check out the link

the noblest art is that of making others happy ef pdf - Jun 06 2022

web oct 26 2023 the noblest art is that of making others happy printable art littlethingshappy star seller star sellers have an outstanding track record for providing

boeing 767 structural repair manual ssltest2 medacs com - Apr 05 2022

web boeing 767 structural repair manual as with ease as evaluation them wherever you are now 2013 03 2000 steve loud 2022 01 27 h dardon the papers from these

airplane maintenance training boeing services - Nov 12 2022

web our products and services the boeing maintenance synthetic trainer is an immersive and virtual representation of an

aircraft for training aviation maintenance technicians use our

boeing maintenance training - May 18 2023

web view course description 747 8 courses boeing 747 8 mechanical avionics b1 b2 easa ir part 66 this course satisfies the category b1 b2 type training requirement as

srm the boeing company - Mar 16 2023

web making structural repairs faster and more cost effective boeing has developed a new process that has shown dramatic reductions in the time required for boeing to develop

structural repair documents manuals - Jan 02 2022

web b767 200 structural repair manual d634t201 b767 200 bcsf structural repair manual d634t202 b767 300 structural repair manual d634t210 equivalency

airliner repair 24 7 air space magazine smithsonian magazine - Jul 08 2022

web investigators determined that the aog repair did not comply with boeing s own structural repair manual boeing accepted 80 percent of the liability for the crash while jal

boeing767structuralrepairmanual download only - Mar 04 2022

web this open access book presents established methods of structural health monitoring shm and discusses their technological merit in the current aerospace environment while the

ps01 the boeing company - Jul 20 2023

web cfmi has contracted to deliver its service bulletins engine manual and illustrated parts catalog ipc for the cfm56 7 the sole engine for 737 600 700 800 through bold

boeing 767 structural repair manual orientation sutd edu sg - Feb 15 2023

web boeing 767 structural repair manual aero 07 design for corrosion boeing may 7th 2018 boeing designs airplanes to resist corrosion through selection of the proper materials

b767 aircraft maintenance manuals amm abxtranet com - Jun 19 2023

web procedure policy manuals engines b767 abx aircraft configuration list airplane flight manual supplements boeing standards manual aircraft maintenance manuals amm

boeing 767 structural repair manual pdf harvard university - Oct 11 2022

web boeing 767 structural repair manual is available in our book collection an online access to it is set as public so you can get it instantly our digital library hosts in multiple

boeing 767 structural repair manual orientation sutd edu - Dec 01 2021

web boeing 767 structural repair manual name 472 aircraft structural repair for engineers part iii description this course is a

continuation of the aircraft structural repair for

boeing 707 structural repair manual partial 245 pages pdf - Dec 13 2022

web slel0el introduction a repair procedure 1 preparation of damage area 1 processing of fiberglass honeycomb replacement core 5 processing of patches 3 sh 320 van 10 81

boeing 767 structural repair manual webster mei - May 06 2022

web boeing 767 structural repair manual is available in our book collection an online access to it is set as public so you can download it instantly our digital library spans in multiple

the boeing company official website - Aug 21 2023

web we would like to show you a description here but the site won t allow us

structural repair documents manuals - Oct 23 2023

web b767 200 structural repair manual d634t201 b767 300 structural repair manual d634t210 equivalency guidelines for repairs on boeing airplane models d6 84340

qtr 03 07 the boeing company - Apr 17 2023

web approval of the repair data is required operators have many ways to obtain faa approved repair data accomplish the repair per the boeing structural repair manual srm

737 800 bcf structural repair manual rigid cargo - Aug 09 2022

web 737 800 bcf rcb structural repair manual rcb is installed on the boeing 737 800bcf tom meet the 14 cfr 25 561 requirement to protect occupants during an

b767 fault isolation manuals fims abxtranet com - Jan 14 2023

web fault isolation manuals fims boeing 767 consolidated fim boeing 767 kac fim d633t6c9 760ck 762ck 763ck 764ck boeing 767 ana fim d633t611 290cm

aircraft composite structure repair pdf scribd - Jun 07 2022

web typical structural repair manual for a320 open navigation menu close suggestions search search en change language close menu language english selected

boeing 720 structural repair manual 51 52 55 57 1971 198 - Sep 10 2022

web boeing 720 structural repair manual 51 52 55 57 1971 198 pages free ebook download as pdf file pdf or read book online for free

boeing b767 wiring diagram manual supplement pdf - Feb 03 2022

web boeing 767 wiring diagram manual supplement table of contents ata chapter date 21 air conditioning 26 jul 2013 23 communications 26 jul 2013 24 electrical power 26

boeing maintenance training - Sep 22 2023

web structural repair courses read more about the boeing structural repair training advantage 460 corrosion prevention and control 462 designing repairs with

pdf cocina fácil para dummies by inés ortega perlego - Feb 13 2023

web inés ortega una de las más destacadas autoras de libros de cocina de nuestro país llega a la colección para dummies con el objetivo para acercar el mundo de la cocina a

cocina fácil para dummies ortega inés amazon es libros - Oct 09 2022

web si te interesa descargar cocina fácil para dummies en formato epub pdf o mobi puedes hacerlo de forma fácil y rápida en diversas páginas web especializadas en libros

libro cocina facil para dummies pdf descargar - Jun 17 2023

web cocina fa cil para solteros para dummies by ortega ine s author publication date 2011 topics cooking quick and easy cooking cuisine rapide cocina cocina ra pida y fa cil

cocina para dummies - Feb 01 2022

cocinaparadummies pdf wiki admithub - Dec 31 2021

cocina facil para dummies casa del libro méxico - Jun 05 2022

web cocina para dummies book review unveiling the magic of language in a digital era where connections and knowledge reign supreme the enchanting power of language

cocina facil para dummies ortega inés free download - Sep 20 2023

web resumen en este libro encontrara s todo lo que necesitas saber para empezar a cocinar desde el primer di a con trucos consejos y recomendaciones para organizar tu cocina

cocina fácil para dummies inés ortega descargar - Aug 19 2023

web pvp 16 95 10194703 27 mm 15x23 co n d u m m i e s e s m á s fáci l cocina fácil para descubre recetas variadas apetitosas prepara una comida completa en menos media

cocina para dummies - Mar 02 2022

web los electrodomésticos que enfrían 38 la nevera 38 y los que nos ayudan a lavar 44 el lavavajillas 44 capítulo 4 la seguridad en la cocina 49 normas que hay

cocina fácil para dummies de inés ortega ebookteca - Aug 07 2022

web cocina fácil para dummies autoayuda no hay comentarios si eres de los que sienten aversión a los fogones o bien si ya te

defiendes con cierta soltura pero necesitas acabar

[cocina fácil para solteros para dummies ortega inés author](#) - Apr 15 2023

web ortega i 2012 cocina fácil para dummies edition unavailable grupo planeta available at perlego com book 2538118

cocina fcil para dummies pdf

descargar cocina fácil para dummies libros gratis en pdf - May 04 2022

web this extraordinary book aptly titled cocina para dummies written by a highly acclaimed author immerses readers in a captivating exploration of the significance of language and

[descargar cocina fácil para dummies inés ortega epub pdf](#) - Jul 06 2022

web descarga libro cocina facil para dummies online gratis pdf si eres de los que sienten aversión a los fogones o bien si ya te defiendes con cierta soltura pero necesitas acabar

cocina facil para dummies ines ortega klein casa - Dec 11 2022

web junto con su madre ha escrito un nuevo libro de cocina publicado en varios idiomas por la editorial británica phaidon con el nombre de 1080 recetas de cocina el mismo nombre

cocina facil para solteros para dummies ines ortega pdf - Sep 08 2022

web libro cocina facil para dummies del autor ines ortega klein al mejor precio nuevo o segunda mano en casa del libro méxico

[el libro de cocina fácil para dummies directo al](#) - Nov 10 2022

web cocina fácil para dummies en formato pdf si eres un apasionado de la lectura y estas buscando una copia del libro cocina fácil para dummies de inés ortega estás en el

descargar cocina fácil para dummies epub pdf y mobi - May 16 2023

web jan 3 2021 cocina fácil para dummies libro de inés ortega epub y pdf resumen si eres de los que sienten aversión a los fogones o bien si ya te defiendes con cierta

[cocina fácil para dummies libro de inés ortega epub y pdf](#) - Mar 14 2023

web cocina fácil para dummies de inés ortega el método más fácil y rápido para aprender a cocinar como un auténtico chef

cocina facil dummies pdf ensalada salsa scribd - Nov 29 2021

[cocina fácil planetadelibros](#) - Jul 18 2023

web jul 27 2019 descargar cocina fácil para dummies inés ortega epub pdf y mobi libro cocina fácil para dummies autor inés ortega editorial para dummies

[cocina fácil para dummies inés ortega planetadelibros](#) - Jan 12 2023

web en él encontrarás todo lo necesario para que de una manera fácil rápida y muy entretenida sepas cómo preparar una serie de platos para chuparse los dedos y si tienes invitados

libro cocina facil para dummies descargar gratis pdf libros - Apr 03 2022

web cocina en menos de 10 minutos para dummies para dummies si eres de los que sienten aversión a los fogones o bien si ya te defiendes con cierta soltura pero necesitas