

Var
Eqn.

VAR

VAR1

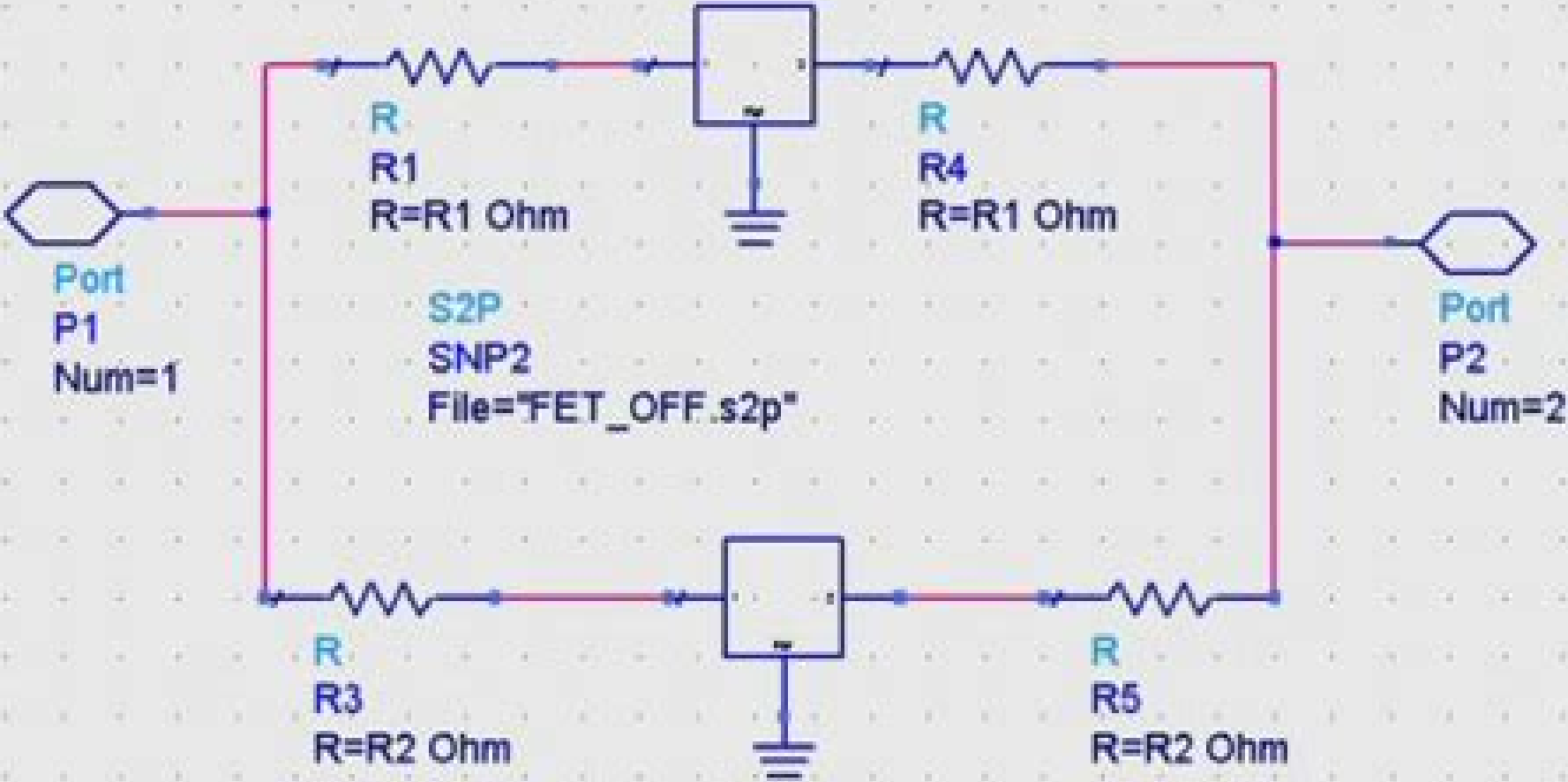
$$R1=(1.000000001-ON)/(0.000000001+ON)$$

$$R2=1/R1$$

S2P +

SNP1

File="FET_ON.s2p"



Example Circuit Using Ads 3 02

Jingchang Nan, Mingming Gao

Example Circuit Using Ads 3 02:

Co-simulations of Microwave Circuits and High-Frequency Electromagnetic Fields Mei Song Tong, Xiao Yu Li, 2024-07-03

This book aims to provide many advanced application topics for microwave circuits and high frequency electromagnetic EM fields by using advanced design system ADS and high frequency structure simulator HFSS as simulation platforms In particular it contains the latest multidisciplinary co simulation guidance on the design of relevant components and devices Currently the circuit field design and performance analysis and optimization strongly rely on various kinds of robust electronic design automation EDA software RF microwave engineers must grasp two or more types of related simulation design software ADS by Keysight and HFSS by Ansys are the representative for circuit simulations and for field and structural simulations of microwave devices respectively At present these two types of software are widely used in enterprises universities and research institutions The main purpose of this book is to enable readers who are interested in microwave engineering and applied electromagnetics to master the applications of these two tools It also helps readers expand their knowledge boundaries behind those types of software and deepen their understanding of developing interdisciplinary technologies by co simulations The book is divided into three parts The first part introduces the two latest versions of ADS and HFSS and helps readers better understand the basic principles and latest functions better It also advises how to choose appropriate simulation tools for different problems The second part mainly describes co simulations for high frequency EM fields microwave circuits antenna designs EM compatibility EMC and thermal and structural analyses It provides guides and advices on performing co simulations by ADS and HFSS incorporated with other types of software respectively The last part narrates the automation interfaces and script programming methods for co simulations It primarily deals with the Advanced Extension Language AEL Python Data Link PDL and MATLAB interface in ADS For HFSS it discusses VBScript IronPython scripting and Application Programming Interface APIs based on MATLAB Each topic contains practical examples to help readers understand so that they can gain a solid knowledge and skills regarding automated interfaces and scripting methods based on these kinds of software Concisely written in combination with practical examples this book is very suitable as a textbook in introductory courses on microwave circuit and EM simulations and also as a supplementary textbook in many courses on electronics microwave engineering communication engineering and related fields As well it can serve as a reference book for microwave engineers and researchers

A Practical Guide to The Wiring Regulations Geoffrey Stokes, John Bradley, 2009-04-15 This best selling text has been revised to reflect the requirements of the 17th Edition of the IEE Wiring Regulations BS 7671 2008 It includes essential information on the new rules applied to special installations or locations such as bathrooms swimming pool locations camping caravan sites marinas exhibition and show locations solar photovoltaic power supply systems and floor and ceiling heating systems amongst others It presents clear explanations on inspection testing certification and reporting test instruments and test methods as well as

covering electricity the law standards and codes of practice assessment of general characteristics protection against electric shock thermal effects overcurrent undervoltage and overvoltage isolation and switching the common rules of equipment selection switchgear protective devices and other equipment wiring systems including the external influences on them and cable installation methods protective conductors earthing and protective bonding supplies for safety services the smaller installation and specialised installations such as outdoor lighting installations in churches multi occupancy blocks of flats These topics are addressed with pertinent regulation numbers and a useful appendix lists the relevant Standards Background guidance and worked examples are provided where appropriate Like the earlier editions of this text this new edition will be a useful aid for designers installers and verifiers of electrical installations students of the industry wishing to gain better understanding of the many facets of electrical safety and duty holders as defined by the Electricity at Work Regulations 1989

Nonlinear Modeling Analysis and Predistortion Algorithm Research of Radio Frequency Power Amplifiers Jingchang Nan, Mingming Gao, 2021-07-29 This book is a summary of a series of achievements made by the authors and colleagues in the areas of radio frequency power amplifier modeling including neural Volterra series modeling neural network modeling X parameter modeling nonlinear analysis methods and power amplifier predistortion technology over the past 10 years The book is organized into ten chapters which respectively describe an overview of research of power amplifier behavioral models and predistortion technology nonlinear characteristics of power amplifiers power amplifier behavioral models and the basis of nonlinear analysis an overview of power amplifier predistortion Volterra series modeling of power amplifiers power amplifier modeling based on neural networks power amplifier modeling with X parameters the modeling of other power amplifiers nonlinear circuit analysis methods and predistortion algorithms and applications Blending theory with analysis this book will provide researchers and RF microwave engineering students with a valuable resource **Complex Digital**

Hardware Design Istvan Nagy, 2024-05-09 This book is about how to design the most complex types of digital circuit boards used inside servers routers and other equipment from high level system architecture down to the low level signal integrity concepts It explains common structures and subsystems that can be expanded into new designs in different markets The book is targeted at all levels of hardware engineers There are shorter lower level introductions to every topic while the book also takes the reader all the way to the most complex and most advanced topics of digital circuit design layout design analysis and hardware architecture *Frontiers in Physics - Rising Stars Asia* Wenxiang Xu, Jinjin Li, Gang Zhang, Xinming Li, Rajarshi Chakrabarti, Kimiko Sekiguchi, Liang Hong, 2022-03-07 *Persuasive Advertising* J. Armstrong, 2010-05-26

Written by a leading authority this book is a comprehensive and definitive guide to advertising that incorporates a vast amount of research and expert opinion It draws upon the evidence to establish principles that can be applied to achieve successful and effective advertising and evaluates all of the relevant attributes and aspects of this IEICE Transactions on Electronics, 2005 IEEE Transactions on Circuits and Systems, 2006 **Electronics**, 1945-07 June issues 1941 44 and

Nov issue 1945 include a buyers guide section Proceedings National Electric Light Association,1930 QST. ,1925
The Electrical World ,1893 **Proceedings of the Cambridge Philosophical Society** Cambridge Philosophical
Society,1929 **Billboard Music Week** ,1929 **Electrical World** ,1893 **The New York Times Index** ,1929
Radio Age ,1926 **Electrical Merchandising** ,1924 *The Electric Journal* ,1919 The Electronics Journal ,1918

As recognized, adventure as competently as experience practically lesson, amusement, as with ease as bargain can be gotten by just checking out a books **Example Circuit Using Ads 3 02** after that it is not directly done, you could allow even more just about this life, more or less the world.

We manage to pay for you this proper as with ease as simple exaggeration to get those all. We pay for Example Circuit Using Ads 3 02 and numerous book collections from fictions to scientific research in any way. in the course of them is this Example Circuit Using Ads 3 02 that can be your partner.

<https://py.bijouxmedusa.com/About/Resources/HomePages/Copeland%20Weston%20Shastri%20Financial%20Theory%20Tadila.pdf>

Table of Contents Example Circuit Using Ads 3 02

1. Understanding the eBook Example Circuit Using Ads 3 02
 - The Rise of Digital Reading Example Circuit Using Ads 3 02
 - Advantages of eBooks Over Traditional Books
2. Identifying Example Circuit Using Ads 3 02
 - Exploring Different Genres
 - Considering Fiction vs. Non-Fiction
 - Determining Your Reading Goals
3. Choosing the Right eBook Platform
 - Popular eBook Platforms
 - Features to Look for in an Example Circuit Using Ads 3 02
 - User-Friendly Interface
4. Exploring eBook Recommendations from Example Circuit Using Ads 3 02
 - Personalized Recommendations
 - Example Circuit Using Ads 3 02 User Reviews and Ratings
 - Example Circuit Using Ads 3 02 and Bestseller Lists

5. Accessing Example Circuit Using Ads 3 02 Free and Paid eBooks
 - Example Circuit Using Ads 3 02 Public Domain eBooks
 - Example Circuit Using Ads 3 02 eBook Subscription Services
 - Example Circuit Using Ads 3 02 Budget-Friendly Options
6. Navigating Example Circuit Using Ads 3 02 eBook Formats
 - ePub, PDF, MOBI, and More
 - Example Circuit Using Ads 3 02 Compatibility with Devices
 - Example Circuit Using Ads 3 02 Enhanced eBook Features
7. Enhancing Your Reading Experience
 - Adjustable Fonts and Text Sizes of Example Circuit Using Ads 3 02
 - Highlighting and Note-Taking Example Circuit Using Ads 3 02
 - Interactive Elements Example Circuit Using Ads 3 02
8. Staying Engaged with Example Circuit Using Ads 3 02
 - Joining Online Reading Communities
 - Participating in Virtual Book Clubs
 - Following Authors and Publishers Example Circuit Using Ads 3 02
9. Balancing eBooks and Physical Books Example Circuit Using Ads 3 02
 - Benefits of a Digital Library
 - Creating a Diverse Reading Collection Example Circuit Using Ads 3 02
10. Overcoming Reading Challenges
 - Dealing with Digital Eye Strain
 - Minimizing Distractions
 - Managing Screen Time
11. Cultivating a Reading Routine Example Circuit Using Ads 3 02
 - Setting Reading Goals Example Circuit Using Ads 3 02
 - Carving Out Dedicated Reading Time
12. Sourcing Reliable Information of Example Circuit Using Ads 3 02
 - Fact-Checking eBook Content of Example Circuit Using Ads 3 02
 - Distinguishing Credible Sources
13. Promoting Lifelong Learning

- Utilizing eBooks for Skill Development
 - Exploring Educational eBooks
14. Embracing eBook Trends
- Integration of Multimedia Elements
 - Interactive and Gamified eBooks

Example Circuit Using Ads 3 02 Introduction

Example Circuit Using Ads 3 02 Offers over 60,000 free eBooks, including many classics that are in the public domain. Open Library: Provides access to over 1 million free eBooks, including classic literature and contemporary works. Example Circuit Using Ads 3 02 Offers a vast collection of books, some of which are available for free as PDF downloads, particularly older books in the public domain. Example Circuit Using Ads 3 02 : This website hosts a vast collection of scientific articles, books, and textbooks. While it operates in a legal gray area due to copyright issues, its a popular resource for finding various publications. Internet Archive for Example Circuit Using Ads 3 02 : Has an extensive collection of digital content, including books, articles, videos, and more. It has a massive library of free downloadable books. Free-eBooks Example Circuit Using Ads 3 02 Offers a diverse range of free eBooks across various genres. Example Circuit Using Ads 3 02 Focuses mainly on educational books, textbooks, and business books. It offers free PDF downloads for educational purposes. Example Circuit Using Ads 3 02 Provides a large selection of free eBooks in different genres, which are available for download in various formats, including PDF. Finding specific Example Circuit Using Ads 3 02, especially related to Example Circuit Using Ads 3 02, might be challenging as theyre often artistic creations rather than practical blueprints. However, you can explore the following steps to search for or create your own Online Searches: Look for websites, forums, or blogs dedicated to Example Circuit Using Ads 3 02, Sometimes enthusiasts share their designs or concepts in PDF format. Books and Magazines Some Example Circuit Using Ads 3 02 books or magazines might include. Look for these in online stores or libraries. Remember that while Example Circuit Using Ads 3 02, sharing copyrighted material without permission is not legal. Always ensure youre either creating your own or obtaining them from legitimate sources that allow sharing and downloading. Library Check if your local library offers eBook lending services. Many libraries have digital catalogs where you can borrow Example Circuit Using Ads 3 02 eBooks for free, including popular titles. Online Retailers: Websites like Amazon, Google Books, or Apple Books often sell eBooks. Sometimes, authors or publishers offer promotions or free periods for certain books. Authors Website Occasionally, authors provide excerpts or short stories for free on their websites. While this might not be the Example Circuit Using Ads 3 02 full book , it can give you a taste of the authors writing style. Subscription Services Platforms like Kindle Unlimited or Scribd offer subscription-based access to a wide range of Example Circuit Using Ads 3 02 eBooks, including

some popular titles.

FAQs About Example Circuit Using Ads 3 02 Books

What is a Example Circuit Using Ads 3 02 PDF? A PDF (Portable Document Format) is a file format developed by Adobe that preserves the layout and formatting of a document, regardless of the software, hardware, or operating system used to view or print it. **How do I create a Example Circuit Using Ads 3 02 PDF?** There are several ways to create a PDF: Use software like Adobe Acrobat, Microsoft Word, or Google Docs, which often have built-in PDF creation tools. Print to PDF: Many applications and operating systems have a "Print to PDF" option that allows you to save a document as a PDF file instead of printing it on paper. Online converters: There are various online tools that can convert different file types to PDF. **How do I edit a Example Circuit Using Ads 3 02 PDF?** Editing a PDF can be done with software like Adobe Acrobat, which allows direct editing of text, images, and other elements within the PDF. Some free tools, like PDFescape or Smallpdf, also offer basic editing capabilities. **How do I convert a Example Circuit Using Ads 3 02 PDF to another file format?** There are multiple ways to convert a PDF to another format: Use online converters like Smallpdf, Zamzar, or Adobe Acrobats export feature to convert PDFs to formats like Word, Excel, JPEG, etc. Software like Adobe Acrobat, Microsoft Word, or other PDF editors may have options to export or save PDFs in different formats. **How do I password-protect a Example Circuit Using Ads 3 02 PDF?** Most PDF editing software allows you to add password protection. In Adobe Acrobat, for instance, you can go to "File" -> "Properties" -> "Security" to set a password to restrict access or editing capabilities. Are there any free alternatives to Adobe Acrobat for working with PDFs? Yes, there are many free alternatives for working with PDFs, such as: LibreOffice: Offers PDF editing features. PDFsam: Allows splitting, merging, and editing PDFs. Foxit Reader: Provides basic PDF viewing and editing capabilities. How do I compress a PDF file? You can use online tools like Smallpdf, ILovePDF, or desktop software like Adobe Acrobat to compress PDF files without significant quality loss. Compression reduces the file size, making it easier to share and download. Can I fill out forms in a PDF file? Yes, most PDF viewers/editors like Adobe Acrobat, Preview (on Mac), or various online tools allow you to fill out forms in PDF files by selecting text fields and entering information. Are there any restrictions when working with PDFs? Some PDFs might have restrictions set by their creator, such as password protection, editing restrictions, or print restrictions. Breaking these restrictions might require specific software or tools, which may or may not be legal depending on the circumstances and local laws.

Find Example Circuit Using Ads 3 02 :

copeland weston shastri financial theory tadila

crimes against logic exposing the bogus arguments of politicians priests journalists and other serial offenders jamie whyte

cryptography network security william stallings solutions

critical thinking paper apa format

cost solution managerial accounting

crazy love francis chan hisbridgemia

convex optimization theory chapter 2 exercises and

continuous signals and systems with matlab solutions

convolutional neural networks in python master data science and machine learning with modern deep learning in python

theano and tensorflow machine learning in python

conveyor components douglas manufacturing

copper cable cat6a u utp cable nexconec

cost and management accounting multiple choice questions answers

criminal law and procedure for the paralegal

cummings otolaryngology 6th edition

control system engineering barapate

Example Circuit Using Ads 3 02 :

microeconomía versión para latiamérica michael parkin - Jun 16 2023

web dec 23 2015 microeconomía versión para latiamérica michael parkin eduardo loría google books esta edición de

microeconomía versión para latinoamérica hace una presentación exhaustiva y cuidadosa

michael parkin economia pdf scribd - Nov 09 2022

web save save michael parkin economia for 2 cms intr us nfaen eo es econ y isconaian elearmpo de rida desman bid x dos

pres pine 1 micesnomia 1 macroeonomi microeconomia la mleroeconomia eel estudio de lis elecciones que cen los individuosy

ls empresas in manera en ue dichasclecciones interacts en los meradosy it influencia que

parkin michael 2010 microeconomia 9 ed academia edu - Apr 14 2023

web parkin michael 2010 microeconomia 9 ed pdf parkin michael 2010 microeconomia 9 ed edison la cruz academia edu

academia edu no longer supports internet explorer

microeconomia michael parkin casa del libro - Jul 05 2022

web el libro microeconomia de michael parkin en casa del libro descubre las mejores ofertas y envíos gratis

economía 8va edición michael parkin pdf scribd - Dec 10 2022

web save save economía 8va edición michael parkin for later 100 14 100 found this document useful 14 votes 26k views 799 pages economía 8va edición michael parkin 2 cms intr us nfaen eo es econ y isconaiian elearmpo de rida desman bid x dos pres pine 1 micesnomia 1 macroeonomi microeconomia la mleroeconomia eel estudio

microeconomía versión para lationamérica spanish edition - Jan 31 2022

web microeconomía versión para lationamérica spanish edition 1st edición microeconomía versión para lationamérica spanish edition 1st edición edición en español de michael parkin author eduardo loría author 4 8 43 calificaciones ver todos los formatos y ediciones brand new

microeconomia version para latinoamerica 5ª ed casa del libro - Oct 08 2022

web libro microeconomia version para latinoamerica 5ª ed del autor michael parkin al mejor precio nuevo o segunda mano en casa del libro México

pdf michael parkin microeconomía novena - Sep 19 2023

web michael parkin addison wesley es una marca de addison wesley abby mireles esta nueva edición de microeconomía versión para latinoamérica renueva las mejoras logradas en las ediciones anteriores entre ellas la completa y detallada presentación de los principios económicos basada en ejemplos y aplicaciones tomados del mundo real con

repositorio udgvirtual microeconomía versión para - Sep 07 2022

web parkin michael loría eduardo palabras clave lado microeconomía américa latina economía américa latina fecha de publicación 2010 citación parkin m y loría e 2010 macroeconomía editorial pearson recuperado de csh izt uam mx cursos gerardo uam material microeconomia i pdf resumen

parkin microeconomia version para america - Mar 01 2022

web esta edición de microeconomía versión para latinoamérica hace una presentación exhaustiva y cuidadosa de los principios de la economía con énfasis en ejemplos y aplicaciones del mundo real y en e

michael parkin economía pearson 2018 michael parkin - Jul 17 2023

web jul 26 2018 economía de parkin ha demostrado a lo largo de los años ser no sólo un libro de texto sino una herramienta para que los estudiantes y todas las personas interesadas en este tema piensen como verdaderos economistas aprendan a explorar problemas políticos complejos y a tomar decisiones informadas

microeconomia version para latinoamerica 9 ed parkin michael - Aug 06 2022

web microeconomia version para latinoamerica 9 ed parkin michael loria diaz eduardo añadir comentario compartir

contenido introducción cómo funcionan los mercados las elecciones de los consumidores empresas y mercados gobierno y fallas de mercado mercado de factores inequidad e incertidumbre

microeconomía michael parkin y eduardo lora - Aug 18 2023

web apr 26 2019 microeconomía macroeconomía teoría económica consumidor empresa mercados modelos económicos escopo da economía necesidades recursos escasos fronteira de producao utilidade total media e marginal lei da utilidade marginal decrescente equilibrio do consumidor curva de demanda preco proibitivo quantidade de saturacao

microeconomía 12 ed versión para latinoamérica parkin michael - Apr 02 2022

web microeconomía 12 ed versión para latinoamérica parkin michael libro en papel 9786073250658 librería el sótano 730 00 precio sujeto a condiciones consultar disponibilidad añadir a mi cesta añadir a favoritos economía

microeconomics global edition parkin michael - May 03 2022

web microeconomics global edition 1 527 93 tl 36 stokta sadece 2 adet kaldı for the two semester principles of economics course an intuitive and grounded approach to economics get students to think like an economist using the latest policy and data while incorporating global issues microeconomics twelfth edition builds on the foundation

microeconomía 11th edition by parkin michael publicado por - Jun 04 2022

web amazon com microeconomía 11th edition by parkin michael publicado por prentice hall 11th undécima edition 2013 paperback 9780133019940 parkin michael libros

microeconomía michael parkin google books - Mar 13 2023

web microeconomía author michael parkin publisher iberoamericana 1995 isbn 9684443374 9789684443372 length 626 pages

microeconomía versión para latinoamérica parkin michael - Feb 12 2023

web xxxviii 541 p 25 cm access restricted item true addeddate 2020 12 09 08 02 21 associated names esquivel gerardo coropando julio silverio

pdf michael parkin microeconomía novena - May 15 2023

web michael parkin microeconomía novena edición versión para latinoamérica jose lopez trabajos practicos principios de microeconomía 1 flor fernandez download free pdf view pdf principios de microeconomía de case y fair www huancayodemocratico blogspot com bryan bennetts

microeconomía versión para latinoamérica michael parkin - Jan 11 2023

web microeconomía versión para latinoamérica michael parkin gerardo esquivel pearson educación 2006 microeconomics 520 pages

arts et cultures du maroc un jardin d objets tapa dura amazon es - Jul 08 2022

web arts et cultures du maroc un jardin d objets relié achat en ligne au meilleur prix sur e leclerc retrait gratuit dans de 700 magasins

arts et cultures du maroc un jardin d objets 2867701627 - May 18 2023

web arts et cultures du maroc un jardin d objets aux éditions acr connu par l architecture de ses monuments le maroc a aussi été le lieu de création d une immense quantité

arts et cultures du maroc un jardin d objets semantic scholar - Jun 19 2023

web in addition to the architecture of its religious monuments palaces and kasbahs morocco has a great many works of a smaller scale whose artistic nature has always been the

download free arts et cultures du maroc un jardin d objets - Apr 05 2022

web andr goldenberg tous les produits fnac marrakech le festival de lart du jardin de retour l educasources slection thmatique le jardin un outil 80 meilleures images du tableau

arts et cultures du maroc un jardin d objets by marie rose - Mar 04 2022

web we give arts et cultures du maroc un jardin d objets and numerous ebook collections from fictions to scientific research in any way accompanied by them is this arts et

arts et cultures du maroc un jardin d objets librairie eyrolles - Sep 10 2022

web arts et cultures du maroc un jardin d objets marie rose rabaté rupture de stock présentation d objets de la vie courante de vêtements d armes etc empreints d un

arts et cultures du maroc un jardin d objets relié au meilleur - Jun 07 2022

web oct 16 2003 arts et spectacles arts et spectacles arts et cultures du maroc un jardin d objets arts et cultures du maroc un jardin d objets fiche 0 note

arts et cultures du maroc un jardin d objets pdf - Oct 23 2023

web arts et cultures du maroc un jardin d objets le maroc en 100 questions aug 07 2023 qui est mohammed vi est ce le roi qui dirige l islam marocain est il un garde fou

puis je mettre un cheval dans mon jardin le figaro - Aug 29 2021

web arts et cultures du maroc un jardin d objets connu par l architecture de ses monuments le maroc a aussi été le lieu de création d une immense quantité d ½uvres

arts et cultures du maroc un jardin d objets decitre - Mar 16 2023

web jan 1 2004 arts et cultures du maroc un jardin d objets de marie rose rabaté collection cultures livraison gratuite à 0 01 dès 35 d achat librairie decitre votre

arts et cultures du maroc un jardin d objets valentin pinta - Feb 03 2022

web 14 hours ago en dix ans le gouvernement compte investir 120 milliards de dollars et étendre les zones de culture du Brésil qui passeraient de 65 à 105 millions d hectares

[arts et cultures du maroc un jardin d objets fnac](#) - Oct 11 2022

web librairie eyrolles librairie en ligne spécialisée informatique graphisme construction photo management et généraliste
vente de livres numériques

arts et cultures du maroc un jardin d objets furet - Dec 13 2022

web arts et cultures du maroc un jardin d objets bibliography of art and architecture in the islamic world 2 vols libraries at the heart of dialogue of cultures and religions le

[cop28 un fonds international de préservation des forêts](#) - Jan 02 2022

web 5 hours ago d un côté il y a fine arts paris monté par les organisateurs du salon du dessin sous la houlette de louis de bayser fils du grand marchand bruno maestro du

[arts et cultures du maroc un jardin d objets lecteurs com](#) - May 06 2022

web arts et cultures du maroc apr 12 2023 présente des objets de la vie courante empreints d un sens artistique
particulièrement élaboré par la forme ou le décor ces

cop28 le Brésil propose la création d un fonds visant à protéger - Sep 29 2021

web 15 hours ago puis je avoir un cheval dans mon jardin ou dans mon pré la réglementation relative à la détention d un cheval sur un terrain privé n est pas

arts et cultures du maroc un jardin d objets goodreads - Jul 20 2023

web apr 1 2004 arts et cultures du maroc un jardin d objets book read reviews from world s largest community for readers
illustrates the diverse cultural heritage of

arts et cultures du maroc un jardin d objets by rabaté - Jan 14 2023

web arts et cultures du maroc un jardin d objets by rabaté and a great selection of related books art and collectibles available
now at abebooks com

arts et cultures du maroc un jardin d objets yabiladi com - Aug 21 2023

web arts et cultures du maroc un jardin d objets catégorie divers editeur acr Éditions publication 3004 05 31 langue français
nb pages 336 isbn 2867701627 71 25

arts et cultures du maroc un jardin d objets hardcover - Apr 17 2023

web buy arts et cultures du maroc un jardin d objets by marie rose rabate andre goldenberg isbn 9782867701627 from
amazon s book store everyday low prices

arts et cultures du maroc un jardin d objets relié amazon fr - Sep 22 2023

web arts et cultures du maroc un jardin d objets rabaté marie rose goldenberg andré amazon fr livres livres art musique et cinéma histoire et critique neuf 75 00

au grand palais éphémère le salon fab paris prend du galon - Dec 01 2021

web 1 hour ago paco le musicien préféré des enfants est un chien les livres musicaux constituent la porte d entrée idéale des enfants aux différents répertoires

arts et cultures du maroc un jardin d objets 2023 stage gapinc - Nov 12 2022

web des milliers de livres avec la livraison chez vous en 1 jour ou en magasin avec 5 de réduction arts et cultures du maroc un jardin d objets un jardin d objets relié

arts et cultures du maroc un jardin d objets yabiladi com - Jul 28 2021

web noté 5 retrouvez arts et cultures du maroc un jardin d objets by marie rose rabate 2011 12 14 et des millions de livres en stock sur amazon fr achetez neuf ou d occasion

arts et cultures du maroc un jardin d objets abebooks france - Feb 15 2023

web arts et cultures du maroc un jardin d objets de rabaté marie rose goldenberg andré sur abebooks fr isbn 10 2867701627 isbn 13 9782867701627 acr

arts et cultures du maroc un jardin d objets by marie rose - Jun 26 2021

arts et cultures du maroc un jardin d objets marie rose - Aug 09 2022

web arts et cultures du maroc un jardin d objets rabaté marie rose goldenberg andré vivier marie france amazon es libros *paco le musicien préféré des enfants est un chien le figaro* - Oct 31 2021

web 16 hours ago le président brésilien lula présentera les détails du dispositif supposé couvrir 80 pays lors de la 28^e conférence des nations unies sur le climat qui se tiendra

sign of the cross prayers catholic online - Apr 19 2023

web the sign of the cross is a form of catholic blessing whereby a person traces a symbolic cross on their body or in the air in commemoration of the crucifixion of christ the sign of the cross is used in several christian traditions but it is most prominent in catholic and orthodox tradition

sign of the cross wikipedia - Aug 23 2023

web the steps for making the sign of the cross making the sign of the cross latin signum crucis or blessing oneself or crossing oneself is a ritual blessing made by members of some branches of christianity

sign of the cross prayers catholic online - Aug 11 2022

web a prayer in honour of the holy cross o god who didst will to hallow the standard of a salesian way of the cross based on

the writing of st francis de lityany in honor of the holy cross the word of the cross is folly to those who are o good cross o good cross made beautiful by the body of the prayer before a crucifix behold o kind and

a short history of the sign of the cross word on fire - Feb 05 2022

web jan 13 2023 early christians used the thumb or index finger to trace a little cross on their foreheads they associated the practice with references in ezeziel 9 7 and revelation 7 3 9 4 and 14 1 all of which describe believers bearing god s seal on their foreheads

the correct way to make the sign of the cross catholic link - Jul 22 2023

web aug 30 2021 there is a correct way to make the sign of the cross and specific times to do the sign of the cross father george answers how to make the sign of the cross as well as discusses the catholic tradition of making the sign of the cross in this week s catholic link youtube video

sign of the cross what is the meaning gotquestions org - May 08 2022

web jan 4 2022 while the bible does not instruct us to cross ourselves the sign of the cross is not without biblical symbolism the shape of the sign is a reminder of the cross of christ historically the sign has also been viewed as representing

significance of the sign of the cross ewtn - Feb 17 2023

web nov 22 2004 the sign of the cross is a confession of faith a renewal of baptism a mark of discipleship an acceptance of suffering a defense against the devil and a victory over self indulgence when you make the sign you are professing a mini version of the creed you are professing your belief in the father and in the son and in the holy spirit

sign of the cross definition meaning dictionary com - Jan 04 2022

web sign of the cross definition a movement of the hand to indicate a cross as from forehead to breast and left shoulder to right or in the eastern orthodox church from right shoulder to left see more

sign of the cross catholic answers encyclopedia - Nov 14 2022

web sign of the cross a term applied to various manual acts liturgical or devotional in character which have this at least in common that by the gesture of tracing two lines intersecting at right angles they indicate symbolically the figure of christ s cross most commonly and properly the words sign of the cross are used of the large cross traced

cross definition symbolism types history britannica - Dec 15 2022

web aug 14 2023 cross the principal symbol of the christian religion recalling the crucifixion of jesus christ and the redeeming benefits of his passion and death the cross is thus a sign of both christ himself and of the faith of christians learn more about the history and symbolism of the cross

why do catholics make the sign of the cross u s catholic - Jun 09 2022

web sep 22 2020 catholics are so accustomed to making the sign of the cross that we seldom stop to ask what the gesture

means religion lawrence cunningham published september 22 2020 making the sign of the cross is a gesture that says in shorthand that a person is catholic it appears as an icon in popular culture and as a gesture it is

sign of the cross catholic answers tract - Jan 16 2023

web the sign of the cross was made simply with the fingers the index or the thumb on the forehead or lips or breast as latin rite catholics do at the beginning of the gospel lesson or with the whole hand over the torso

sign of the cross everything you need to know catholic icing - Mar 18 2023

web jun 8 2021 facebook 246 pinterest the sign of the cross is a very special meaningful and useful prayer for catholics this is the most common prayer among all catholics and it is used for countless occasions many religions use a form of the sign of the cross including catholics

sign of the cross description gesture britannica - May 20 2023

web sep 14 2023 sign of the cross a gesture of ancient christian origin by which people bless themselves others or objects the sign of the cross is used throughout christian liturgies in moments of need in prayer and on numerous other occasions

catholic 101 the sign of the cross youtube - Mar 06 2022

web jul 15 2016 father rocky explains the sign of the cross

the sign of the cross what it is and why it matters anglican compass - Apr 07 2022

web what is the sign of the cross what does it mean why and when do anglicans make it greg goebel explains the basics of this important practice

5 things you should know about the sign of the cross - Sep 12 2022

web sep 10 2021 the sign of the cross is a powerful symbol of faith learn five things you should know to deepen your connection to god and honor this sacred tradition

what is the sign of the cross meaning in catholicism - Oct 13 2022

web jun 19 2020 the sign of the cross has been used by catholics for thousands of years its roots in the early church have been handed down through the generations to signal intent in blessing and receiving through prayer though simple in action the sign of the cross holds great significance in meaning and heart for catholics today just as it did in the

how and why catholics make the sign of the cross learn - Jun 21 2023

web dec 30 2018 the sign of the cross is the most common of all catholic prayers it is said before and after all other prayers and should not be rushed or overlooked

pope francis explains why catholics make the sign of the cross - Jul 10 2022

web jun 4 2023 by courtney mares vatican city jun 4 2023 06 05 am each time that a catholic makes the sign of the cross it is a reminder that god is a communion of love pope francis said sunday speaking

