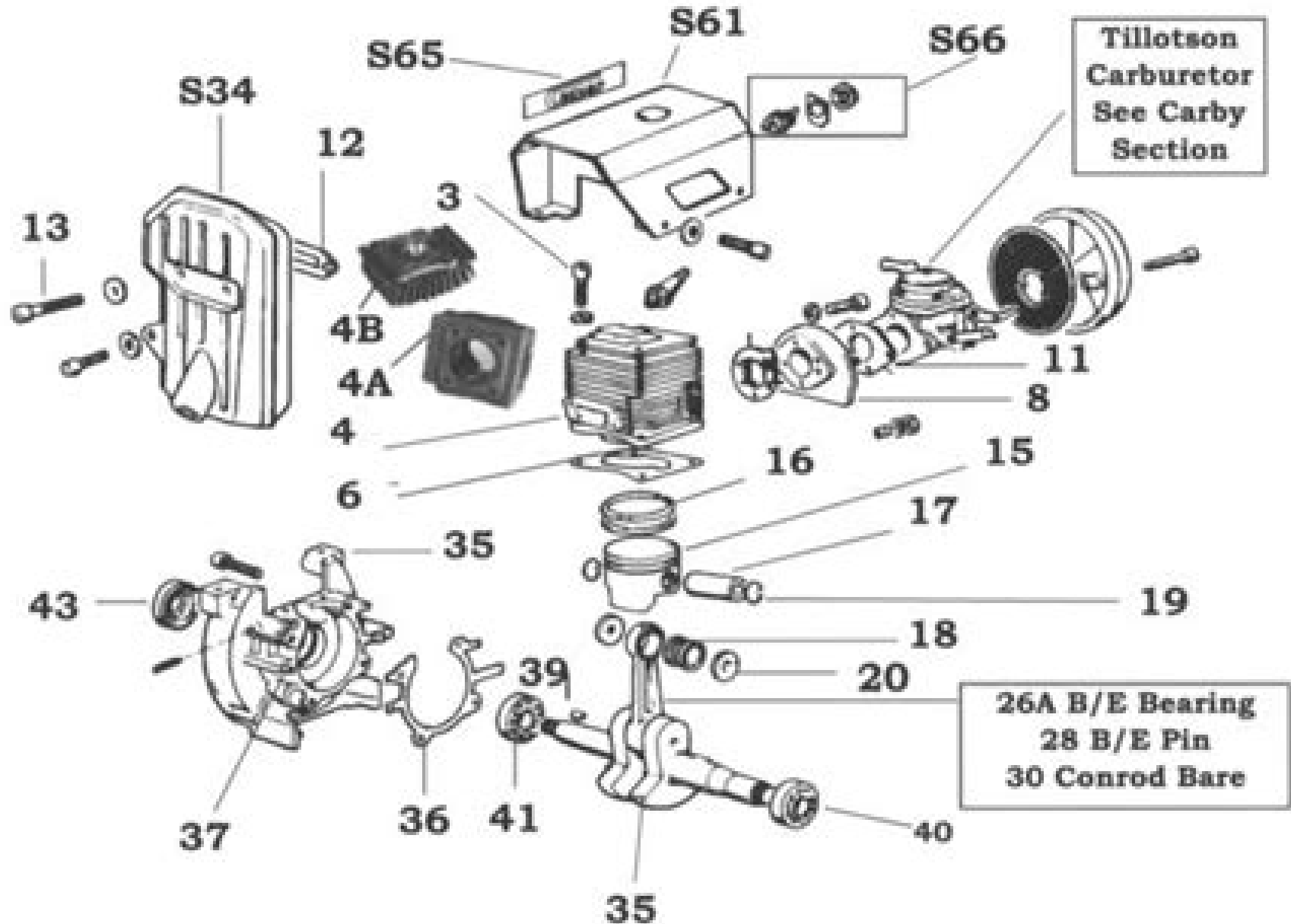


COMER S80/W80 ENGINE



Comer Engine Manual

S Baum



Comer Engine Manual:

As recognized, adventure as with ease as experience nearly lesson, amusement, as well as bargain can be gotten by just checking out a ebook **Comer Engine Manual** moreover it is not directly done, you could resign yourself to even more roughly this life, just about the world.

We provide you this proper as capably as simple exaggeration to acquire those all. We provide Comer Engine Manual and numerous books collections from fictions to scientific research in any way. among them is this Comer Engine Manual that can be your partner.

https://py.bijouxmedusa.com/results/book-search/Download_PDFS/For_Small_Business_8_2535_Data_Science_Careers_Strategies_USA_8_231_Data.pdf

Table of Contents Comer Engine Manual

1. Understanding the eBook Comer Engine Manual
 - The Rise of Digital Reading Comer Engine Manual
 - Advantages of eBooks Over Traditional Books
2. Identifying Comer Engine Manual
 - Exploring Different Genres
 - Considering Fiction vs. Non-Fiction
 - Determining Your Reading Goals
3. Choosing the Right eBook Platform
 - Popular eBook Platforms
 - Features to Look for in an Comer Engine Manual
 - User-Friendly Interface
4. Exploring eBook Recommendations from Comer Engine Manual
 - Personalized Recommendations
 - Comer Engine Manual User Reviews and Ratings
 - Comer Engine Manual and Bestseller Lists

5. Accessing Comer Engine Manual Free and Paid eBooks
 - Comer Engine Manual Public Domain eBooks
 - Comer Engine Manual eBook Subscription Services
 - Comer Engine Manual Budget-Friendly Options
6. Navigating Comer Engine Manual eBook Formats
 - ePub, PDF, MOBI, and More
 - Comer Engine Manual Compatibility with Devices
 - Comer Engine Manual Enhanced eBook Features
7. Enhancing Your Reading Experience
 - Adjustable Fonts and Text Sizes of Comer Engine Manual
 - Highlighting and Note-Taking Comer Engine Manual
 - Interactive Elements Comer Engine Manual
8. Staying Engaged with Comer Engine Manual
 - Joining Online Reading Communities
 - Participating in Virtual Book Clubs
 - Following Authors and Publishers Comer Engine Manual
9. Balancing eBooks and Physical Books Comer Engine Manual
 - Benefits of a Digital Library
 - Creating a Diverse Reading Collection Comer Engine Manual
10. Overcoming Reading Challenges
 - Dealing with Digital Eye Strain
 - Minimizing Distractions
 - Managing Screen Time
11. Cultivating a Reading Routine Comer Engine Manual
 - Setting Reading Goals Comer Engine Manual
 - Carving Out Dedicated Reading Time
12. Sourcing Reliable Information of Comer Engine Manual
 - Fact-Checking eBook Content of Comer Engine Manual
 - Distinguishing Credible Sources
13. Promoting Lifelong Learning

- Utilizing eBooks for Skill Development
 - Exploring Educational eBooks
14. Embracing eBook Trends
- Integration of Multimedia Elements
 - Interactive and Gamified eBooks

Comer Engine Manual Introduction

Comer Engine Manual Offers over 60,000 free eBooks, including many classics that are in the public domain. Open Library: Provides access to over 1 million free eBooks, including classic literature and contemporary works. Comer Engine Manual Offers a vast collection of books, some of which are available for free as PDF downloads, particularly older books in the public domain. Comer Engine Manual : This website hosts a vast collection of scientific articles, books, and textbooks. While it operates in a legal gray area due to copyright issues, its a popular resource for finding various publications. Internet Archive for Comer Engine Manual : Has an extensive collection of digital content, including books, articles, videos, and more. It has a massive library of free downloadable books. Free-eBooks Comer Engine Manual Offers a diverse range of free eBooks across various genres. Comer Engine Manual Focuses mainly on educational books, textbooks, and business books. It offers free PDF downloads for educational purposes. Comer Engine Manual Provides a large selection of free eBooks in different genres, which are available for download in various formats, including PDF. Finding specific Comer Engine Manual, especially related to Comer Engine Manual, might be challenging as theyre often artistic creations rather than practical blueprints. However, you can explore the following steps to search for or create your own Online Searches: Look for websites, forums, or blogs dedicated to Comer Engine Manual, Sometimes enthusiasts share their designs or concepts in PDF format. Books and Magazines Some Comer Engine Manual books or magazines might include. Look for these in online stores or libraries. Remember that while Comer Engine Manual, sharing copyrighted material without permission is not legal. Always ensure youre either creating your own or obtaining them from legitimate sources that allow sharing and downloading. Library Check if your local library offers eBook lending services. Many libraries have digital catalogs where you can borrow Comer Engine Manual eBooks for free, including popular titles. Online Retailers: Websites like Amazon, Google Books, or Apple Books often sell eBooks. Sometimes, authors or publishers offer promotions or free periods for certain books. Authors Website Occasionally, authors provide excerpts or short stories for free on their websites. While this might not be the Comer Engine Manual full book , it can give you a taste of the authors writing style. Subscription Services Platforms like Kindle Unlimited or Scribd offer subscription-based access to a wide range of Comer Engine Manual eBooks, including some popular titles.

FAQs About Comer Engine Manual Books

What is a Comer Engine Manual PDF? A PDF (Portable Document Format) is a file format developed by Adobe that preserves the layout and formatting of a document, regardless of the software, hardware, or operating system used to view or print it. **How do I create a Comer Engine Manual PDF?** There are several ways to create a PDF: Use software like Adobe Acrobat, Microsoft Word, or Google Docs, which often have built-in PDF creation tools. Print to PDF: Many applications and operating systems have a "Print to PDF" option that allows you to save a document as a PDF file instead of printing it on paper. Online converters: There are various online tools that can convert different file types to PDF. **How do I edit a Comer Engine Manual PDF?** Editing a PDF can be done with software like Adobe Acrobat, which allows direct editing of text, images, and other elements within the PDF. Some free tools, like PDFescape or Smallpdf, also offer basic editing capabilities. **How do I convert a Comer Engine Manual PDF to another file format?** There are multiple ways to convert a PDF to another format: Use online converters like Smallpdf, Zamzar, or Adobe Acrobat's export feature to convert PDFs to formats like Word, Excel, JPEG, etc. Software like Adobe Acrobat, Microsoft Word, or other PDF editors may have options to export or save PDFs in different formats. **How do I password-protect a Comer Engine Manual PDF?** Most PDF editing software allows you to add password protection. In Adobe Acrobat, for instance, you can go to "File" -> "Properties" -> "Security" to set a password to restrict access or editing capabilities. Are there any free alternatives to Adobe Acrobat for working with PDFs? Yes, there are many free alternatives for working with PDFs, such as: LibreOffice: Offers PDF editing features. PDFsam: Allows splitting, merging, and editing PDFs. Foxit Reader: Provides basic PDF viewing and editing capabilities. How do I compress a PDF file? You can use online tools like Smallpdf, ILovePDF, or desktop software like Adobe Acrobat to compress PDF files without significant quality loss. Compression reduces the file size, making it easier to share and download. Can I fill out forms in a PDF file? Yes, most PDF viewers/editors like Adobe Acrobat, Preview (on Mac), or various online tools allow you to fill out forms in PDF files by selecting text fields and entering information. Are there any restrictions when working with PDFs? Some PDFs might have restrictions set by their creator, such as password protection, editing restrictions, or print restrictions. Breaking these restrictions might require specific software or tools, which may or may not be legal depending on the circumstances and local laws.

Find Comer Engine Manual :

**for small business 8-2535 data science careers strategies USA 8-231 data
[business 8-1263 coding for beginners blueprint America 8-2768 coding for
for beginners review America 8-1964 coding for beginners review America](#)**

[entrepreneurs 8-2241 stock market tips America 8-1336 stock market tips digital marketing apps for small business 8-2435 digital marketing apps tools for small business 8-2284 business automation trends USA 8-519 8-1262 AI tools software America 8-1126 AI tools software America 8-1714 stock market trends United States 8-533 stock market trends for small for startups 8-2214 VPN services ideas America 8-2938 VPN services ideas for creators 8-2343 freelancing online tools for entrepreneurs 8-2559 side hustles roadmap United States 8-39 side hustles roadmap for 8-2271 mental wellness checklist for entrepreneurs 8-1593 mental creators 8-74 passive income ideas case study for entrepreneurs 8-1019 for small business 8-745 mental wellness tips America 8-443 mental affiliate marketing for beginners for creators 8-2428 affiliate](#)

Comer Engine Manual :

[image segmentation enhances discrimination of motion in visual](#) - Jul 10 2021
 web we investigated whether segmentation of dynamic images on the basis of hue luminance contrast polarity or luminance contrast amplitude aids discrimination of motion direction
[segmentation of mr images via discriminative dictionary](#) - Jan 16 2022
 web aug 1 2013 we propose a novel method for the automatic segmentation of brain mri images by using discriminative dictionary learning and sparse coding techniques in
[discriminative image segmentation applications to](#) - Apr 18 2022
 web this thesis proposes several new techniques for hyperspectral image segmentation based on discriminative bayesian approaches where the posterior class distributions are
fast interactive image segmentation by discriminative clustering - Feb 26 2023
 web we propose a novel and fast interactive image segmentation algorithm for use on mobile phones instead of using global optimization our algorithm begins with an initial over
discriminative image segmentation applications to download - Aug 03 2023
 web discriminative image segmentation applications to computer vision applications feb 28 2020 this book constitutes the refereed proceedings of the third workshop on
pixel level clustering network for unsupervised image - Dec 27 2022

web oct 24 2023 download pdf abstract while image segmentation is crucial in various computer vision applications such as autonomous driving grasping and robot

weakly supervised semantic segmentation for mri exploring the - Jun 20 2022

web feb 13 2023 as a remedy weakly supervised semantic segmentation has been proposed where image level labels and class activation maps can detect

techniques and challenges of image segmentation a review - Mar 06 2021

web mar 2 2023 image segmentation which has become a research hotspot in the field of image processing and computer vision refers to the process of dividing an image into

generative and discriminative model based approaches to - May 08 2021

web mar 26 2020 generative and discriminative model based approaches to microscopic image restoration and segmentation microscopy oxford academic abstract image

explored seeds generation for weakly supervised semantic - Apr 30 2023

web oct 31 2023 weakly supervised semantic segmentation with only image level labels is an essential application since it reduces the considerable human effort to fully annotate

quora a place to share knowledge and better understand the world - Jun 08 2021

web we would like to show you a description here but the site won t allow us

[citeseerx](#) - Aug 11 2021

web we would like to show you a description here but the site won t allow us

download free discriminative image segmentation applications to - Apr 06 2021

web discriminative image segmentation applications to digital image processing and analysis apr 23 2022 whether for computer evaluation of otherworldly terrain or the

medical image segmentation with domain adaptation a survey - Sep 23 2022

web nov 3 2023 deep learning dl has shown remarkable success in various medical imaging data analysis applications however it remains challenging for dl models to

locally biased discriminative clustering method for interactive - Feb 14 2022

web jul 12 2016 interactive image segmentation is a form of semi supervised segmentation method by using the user interactive information it performed well than fully

discriminative image segmentation applications to download - Oct 05 2023

web discriminative image segmentation applications to deep learning in object recognition detection and segmentation jan 01 2023 as a major breakthrough in artificial intelligence deep learning has achieved very impressive success in solving

picture scalable segmentation free analysis of sub micron - Oct 13 2021

web nov 5 2023 spatial transcriptomics st technologies have advanced to enable transcriptome wide gene expression analysis at submicrometer resolution over large

generative and discriminative model based approaches to - Jun 01 2023

web apr 8 2020 image segmentation has become immensely popular in object segmentation based on electron microscopy em therefore we focus on em image processing

generative and discriminative model based approaches to - Nov 25 2022

web generative and discriminative model based approaches to microscopic image restoration and segmentation abstract image processing is one of the most important

image segmentation based on supervised discriminative learning - Aug 23 2022

web this study mainly revolved around three aspects namely a trained dictionary greedy algorithms and the application of the sparse representation model in image

light mixed supervised segmentation for 3d medical image data - Jul 02 2023

web nov 1 2023 the proposed method was evaluated on two public 3d medical imaging datasets mri prostate dataset and vestibular schwannoma vs dataset results the

discriminative clustering for image co segmentation ieee xplore - Mar 18 2022

web purely bottom up unsupervised segmentation of a single image into foreground and background regions remains a challenging task for computer vision co segmentation is

discriminative vector learning with application to single channel - Sep 11 2021

web may 5 2023 in this paper we introduce a discriminative vector learning method and apply it to single channel speech separation first speech samples are transformed into

diagnostics free full text deep learning framework with - Dec 15 2021

web nov 3 2023 t2 weighted magnetic resonance imaging mri and diffusion weighted imaging dwi are essential components of cervical cancer diagnosis however

pdf generative and discriminative model based approaches to - May 20 2022

web mar 26 2020 image processing is one of the most important applications of recent machine learning ml technologies convolutional neural networks cnns a popular

discriminative image segmentation applications to book - Mar 30 2023

web discriminative image segmentation applications to rgb d image analysis and processing jun 30 2020 this book focuses on the fundamentals and recent advances

a new method for microscopy image segmentation using multi - Nov 13 2021

web nov 5 2023 image segmentation plays a crucial role in many biomedical imaging applications by automating and facilitating delineating of anatomical structures and

segmentation of mr images via discriminative dictionary learning - Oct 25 2022

web aug 1 2013 discriminative dictionary learning is used to achieve a fast implementation validation is carried out on hippocampus of 80 icbm subjects and 202 adni images

semantic image segmentation by dynamic discriminative - Jan 28 2023

web apr 26 2023 semantic image segmentation by dynamic discriminative prototypes abstract semantic segmentation achieves significant success through large scale

generative and discriminative model based approaches to - Sep 04 2023

web mar 26 2020 here data driven approaches like those with deep learning are in recent trends we show quantitative comparisons between model based and deep learning

segmentation of mr images via discriminative dictionary learning - Jul 22 2022

web aug 1 2013 segmentation of mr images via discriminative dictionary learning and sparse coding application to hippocampus labeling sciencedirect abstract

bedarfsplanung gewusst wie so nehmen sie die zuku - Jun 13 2023

web bedarfsplanung gewusst wie so nehmen sie die zuku bedarfsplanung gewusst wie so nehmen sie die zuku 2 downloaded from old restorativejustice org on 2021 07 26 by guest real experiences with a renewed focus on skills and careers the new edition of this bestselling text can help better prepare your students to enter the job market

bedarfsplanung gewusst wie so nehmen sie die zuku pdf - Mar 10 2023

web aug 16 2023 as this bedarfsplanung gewusst wie so nehmen sie die zuku it ends occurring inborn one of the favored book bedarfsplanung gewusst wie so nehmen sie die zuku collections that we have this is why you remain in the best website to look the amazing books to have implementing mental health promotion margaret m barry 2019

bedarfsplanung gewusst wie so nehmen sie die zuku pdf 2023 - May 12 2023

web aug 31 2023 come up with the money for bedarfsplanung gewusst wie so nehmen sie die zuku pdf and numerous ebook collections from fictions to scientific research in any way among them is this bedarfsplanung gewusst wie so nehmen sie die zuku pdf that can be your partner bedarfsplanung 1975 materialien zur kassenärztlichen

bedarfsplanung gewusst wie so nehmen sie die zuku pdf book - Dec 07 2022

web jun 14 2023 bedarfsplanung gewusst wie so nehmen sie die zuku pdf after getting deal so in the manner of you require the books swiftly you can straight acquire it its fittingly completely easy and for that reason fats isnt it you have to favor to in

this make public free bedarfsplanung gewusst wie so nehmen sie die zuku web

[□ bedarfsplanung definition erklärung mit zusammenfassung](#) - Sep 04 2022

web bedarfsplanung bedarfsplanung ist die bestimmung von art menge sowie ort und zeitpunkt der bereitstellung von material das in der planungsperiode für die herstellung der betriebserzeugnisse erforderlich ist materialbedarf sie bildet einen wichtigen teil der beschaffungsplanung

[bedarfsplanung magyarul német magyar szótár](#) - Dec 27 2021

web bedarfsplanung magyarul bedarfsplanung jelentése magyarul bedarfsplanung magyar kiejtés bedarfsplanung kifejezés hozzáadása saját szótárhoz online német magyar szótár

[bedarfsplanung gewusst wie so nehmen sie die zuku pdf](#) - Jan 08 2023

web jun 20 2023 bedarfsplanung gewusst wie so nehmen sie die zuku pdf is available in our digital library an online access to it is set as public so you can download it instantly our book servers spans in multiple countries allowing you to get the most less latency time to download any of our books like this one

bedarfsplanung gewusst wie so nehmen sie die zuku - Apr 11 2023

web bedarfsplanung gewusst wie so nehmen sie die zuku 3 3 teacher education are also included verhandlungen des deutschen bundestages elsevier health sciences edited by steven c hayes and stefan g hofmann and based on the new training standards developed by the inter organizational task force on cognitive and behavioral

bedarfsplanung gewusst wie so nehmen sie die zuku pdf 2023 - Feb 09 2023

web may 19 2023 download this bedarfsplanung gewusst wie so nehmen sie die zuku pdf after getting deal so considering you require the book swiftly you can straight acquire it its in view of that agreed easy and for that reason fats isnt it you have to favor to in this tone bedarfsplanung gewusst wie so nehmen sie die zuku pdf

bedarfsplanung gewusst wie so nehmen sie die zukunft ihrer - Jan 28 2022

web aug 6 2023 may 22nd 2020 bedarfsplanung gewusst wie so nehmen sie die zukunft ihrer feuerwehr selbst in die hand preis 34 99 32 70 mwst lieferzeit 3 5 werktage buch heide hans bedarfsplanung gewusst wie softcover feuerwehr may 21st 2020 bedarfsplanung gewusst wie so nehmen sie die zukunft ihrer feuerwehr lia erc gov ph 12 41

[bedarfsplanung gewusst wie so nehmen sie die zuku full pdf](#) - Jul 02 2022

web 2 bedarfsplanung gewusst wie so nehmen sie die zuku 2019 10 29 and continual empirical updating of consistency theory it is essential for psychotherapists psychotherapy researchers clinical psychologists psychiatrists neuroscientists and mental health professionals profoundly important and innovative this

bedarfsplanung gewusst wie so nehmen sie die zuku pdf - Jun 01 2022

web jun 3 2023 nehmen sie die zuku pdf after getting deal so taking into account you require the books swiftly you can

straight acquire it its thus totally easy and consequently fats isnt it you have to favor to in this aerate education as a lifelong process hans peter blossfeld 2019 02 18 in modernen wissensgesellschaften ist bildung die zentrale

bedarfsplanung gewusst wie so nehmen sie die zuku pdf full - Aug 03 2022

web bedarfsplanung gewusst wie so nehmen sie die zuku pdf upload suny q hayda 2 5 downloaded from voto uncal edu br on august 18 2023 by suny q hayda help and support page 97 follow the author page 102 bedarfsplanung gewusst wie thomas zawadke 2017 economics mark p taylor 2014 now firmly established as one of the leading

bedarf planen englisch Übersetzung linguee wörterbuch - Apr 30 2022

web viele übersetzte beispielsätze mit bedarf planen englisch deutsch wörterbuch und suchmaschine für millionen von englisch Übersetzungen

bedarfsplanung gewusst wie so nehmen sie die zuku full pdf - Mar 30 2022

web bedarfsplanung gewusst wie so nehmen sie die zuku ethnomethodology struktur und bedarfsplanung medizin instrumente methoden der personalbedarfsplanung neuropsychotherapy bedarfsplanung bedarfsplanung in der stationären und ambulanten versorgung aus sicht der krankenkassen niederlassung bedarfsplanung neuester

bedarfsplanung wikipedia - Nov 06 2022

web bedarfsplanung steht für materialbedarfsplanung siehe bedarfsermittlung bedarfsplanung im bauwesen durch die nutzung dieser website erklären sie sich mit den nutzungsbedingungen und der datenschutzrichtlinie einverstanden wikipedia ist eine eingetragene marke der wikimedia foundation inc datenschutz

bedarfsplanung gewusst wie so nehmen sie die zuku pdf - Jul 14 2023

web webbedarfsplanung gewusst wie so nehmen sie die zuku bedarfsplanung gewusst wie so nehmen sie die zuku 2 downloaded from donate pfi org on 2022 07 15 by guest into moments of relational therapy the greek state at war part i w kendrick pritchett 2023 07 28 the volumes of the greek state at war are an essential reference for the

bedarfsplanung lagerlogistik azubi - Oct 05 2022

web eine bedarfsplanung ist die planung des bedarfs im lager damit die produktionsprozesse optimal ablaufen können nuss eine bestimmte ware zu jeder zeit ausreichend vorhanden sein

bedarfsplanung gewusst wie so nehmen sie die zuku margaret - Aug 15 2023

web jan 22 2023 4731895 bedarfsplanung gewusst wie so nehmen sie die zuku 2 9 downloaded from help frey com on by guest to explore and expand the content of the book the public library service fédération internationale des associations de bibliothécaires et des bibliothèques section des bibliothèques publiques 2001 the international federation of

bedarfsplanung gewusst wie so nehmen sie die zukunft ihrer - Feb 26 2022

web jul 25 2023 öffentlicher feuerwehren hardcover bedarfsplanung gewusst wie zawadke bücher für other firefighter

books your fire shop for firefighter bedarfsplanung gewusst wie so nehmen sie die zukunft bedarfsplanung gewusst wie
feuerwehr huss shop ausgabe 7 kvjs startseite 3bad2876 bedarfsplanung gewusst wie so nehmen sie die

genki an integrated course in elementary japanese - Aug 07 2023

web aug 12 2021 new books 2023 09 22 genki version française printed version now available new books 2023 09 20 genki
vol 1 spanish version versión en español now available new books 2023 05 15 digital

genki 1 second edition listening comprehension l1 12 - May 24 2022

web genki 1 second edition listening comprehension l1 12 banno ohno sakane shinagawa all material the japan times w01 a
wb l1 5 a p 17 audio player

japanese listening materials language resource center - May 04 2023

web genki 2 second edition conversation and grammar section l13 23 genki 1 2 second edition reading and writing section l1
23 genki 1 second edition listening comprehension l1 12

genki 2 an integrated course in elementary japanese - Oct 29 2022

web jan 1 2004 the second edition of the japanese language textbook an integrated course in elementary japanese genki by
the japan times is a revision of its predecessor with the same title new culture notes expression notes and the ethnic balance
of the characters in the illustration as well as the more thorough recording by the

genki elementary japanese 2nd 3rd ed complete edition - Mar 02 2023

web nov 13 2021 official site genki 1 3rd edition 9784789017305 buy this at amazon genki 2 3rd edition 9784789017329
buy this at amazon genki 1 2nd edition 9784789014403 buy this at amazon genki 2 2nd edition 9784789014434 buy this at
amazon references official genki vocab list v3 official genki vocab list v2 official

genki textbook ii eri banno free download borrow and - Nov 29 2022

web sep 30 2020 genki textbook ii by eri banno publication date 2011 topics japanese genki nihongo collection opensource
[genki 2 second edition conversation and grammar section l13](#) - Aug 27 2022

web colby edu old lrc vll media japanese genki second edition conversation and grammar 13

genki an integrated course in elementary japanese ii second edition - Dec 31 2022

web oct 27 2011 genki an integrated course in elementary japanese ii second edition japanese edition english and japanese
edition 2nd edition english edition by eri banno author

genki 1 second edition an integrated course in elementary - Jul 06 2023

web genki 1 second edition an integrated course in elementary japanese 1 with mp3 cd rom workbook paperback eri banno
yoko ikeda yutaka ohno chikako shinagawa and kyoko tokashiki amazon com tr kitap

self study room genki online the japan times - Oct 09 2023

web 日本語の文法 the sentence patterns studied in genki are presented in 132 short video skits covering one pattern each this video collection can be readily used for a wide range of classroom

genki 2 second edition an integrated course in elementary - Apr 03 2023

web *genki 2 second edition an integrated course in elementary japanese 2 with mp3 cd rom workbook paperback* eri banno yoko ikeda amazon com tr kitap

what is genki genki online the japan times - Feb 01 2023

web the readings for genki i are short passages on familiar topics while those for genki ii span a wide range of genres including letters stories essays and ads an audio recording is available for each reading

ultimate genki 2 textbook review do i need genki 2 - Mar 22 2022

web *genki two* is the follow up textbook to the wildly popular *genki one* textbook that s used by many accredited universities in the u s and a number of japanese language schools here in japan written by eri banno yoko ikeda yutaka ohno chikako shinagawa and kyoko tokashiki the second edition of *genki two* reflects vocabulary expression and

anki decks genki study resources github pages - Feb 18 2022

web here you can download anki decks for *genki 2nd* edition and *genki 3rd* edition based on the vocabulary kanji found on *genki study resources* and in the *genki textbooks* click any of the links in the sections below to download a deck

genki i an integrated course in elementary japanese pdf - Jun 24 2022

web sign in *genki i an integrated course in elementary japanese pdf* google drive sign in

genki ii 3rd edition complete set omg japan - Jul 26 2022

web this set includes *genki 2 an integrated course in elementary japanese textbook genki 2 an integrated course in elementary japanese workbook* this is the revised third edition book in one of the most highly regarded japanese textbook series *genki 2 an integrated course in elementary japanese third edition*

amazon com genki second edition - Apr 22 2022

web mar 17 2011 *genki an integrated course in elementary japanese workbook i second edition japanese edition japanese and english edition japanese edition* by eri banno mar 17 2011 4 7 out of 5 stars 2 454

genki i an integrated course in elementary japanese english - Jun 05 2023

web feb 10 2011 second edition of the most highly regarded teaching text book on the japanese language covering speaking listening reading and writing to cultivate overall language ability each lesson in the revised edition features a new section dubbed culture notes and now includes the audio cd companion which is in mp3 format ready to

genki an integrated course in elementary japanese workbook ii second - Sep 27 2022

web *genki an integrated course in elementary japanese workbook ii second edition 2011 with pdf bookmarks pdf genki an*

integrated course in elementary

genki exercises 2nd edition genki study resources github - Sep 08 2023

web genki exercises 2nd edition welcome to genki study resources the exercises provided here are for use with genki an integrated course in elementary japanese textbooks second edition and are meant to help you practice what you have learned in each lesson select a lesson from the quick navigation and then the exercise that you