

# Activity - Practice with Complex Circuits

$$V = IR$$

## Part I

In the circuits below, the voltage of the battery is 12 V and each resistor is 2 Ω. For each circuit:

- Describe the circuit and any assumptions you make. Which resistors are in series? Which are in parallel?
- Calculate the current through each resistor and the voltage across each resistor.

$$\text{Total: } 8 + 2 = 10$$

$$\text{Series} = 2 + 2 + 2 + 2 = 8 \Omega$$

$$\text{Parallel} = \frac{1}{2} = 2 \Omega$$

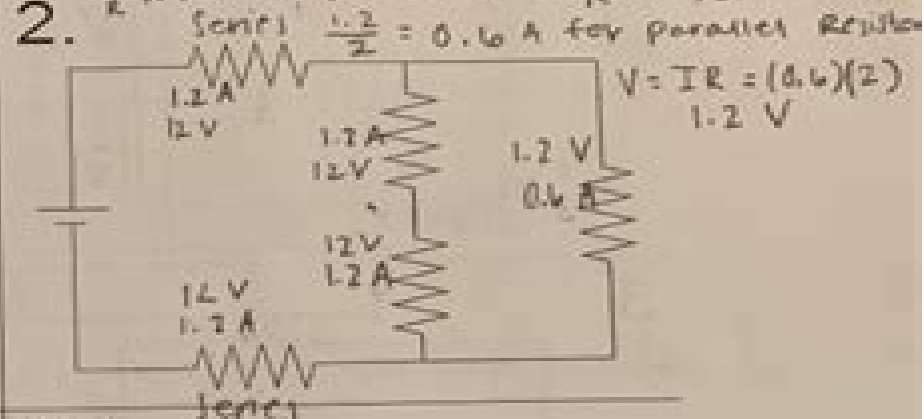
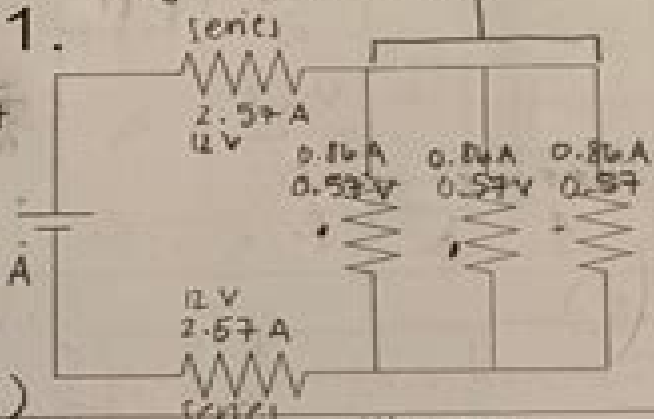
$$V = IR \rightarrow I = \frac{V}{R} = \frac{12}{10} = 1.2 \text{ A}$$

$$A = \frac{2 \Omega}{4.67} (12)$$

5.13

$$2 + 2 = 4 \Omega (\text{series}) \quad \frac{1}{2} + \frac{1}{2} + \frac{1}{2} = \frac{3}{2} = \frac{2}{3} (\text{parallel})$$

$$4 + \frac{2}{3} = 4.67 \Omega = \text{total}$$



$$V = IR$$

$$I = \frac{V}{R} = \frac{12}{4.67}$$

$$I = 2.57$$

$$\frac{2.57 \text{ A}}{3} = 0.86 \text{ A}$$

$$V = IR$$

$$V = (0.86) (2)$$

$$V = 1.72 \text{ V}$$

3.

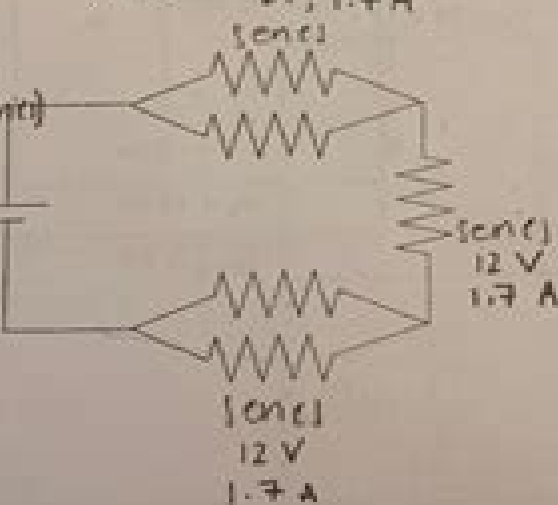
$$\text{Total } R = 6 + 1 = 7 \Omega$$

$$2 + 2 + 2 = 6 \Omega (\text{series})$$

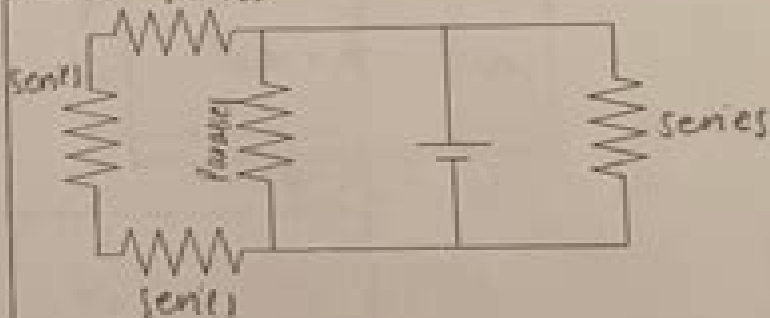
$$\frac{1}{2} + \frac{1}{2} = \frac{2}{2} = 1 \Omega (\text{parallel})$$

$$V = IR$$

$$I = \frac{V}{R} = \frac{12}{7} = 1.7 \text{ A}$$



4.



# Complex Circuit Problems And Solutions

**Fred Alan Fish**



## **Complex Circuit Problems And Solutions:**

**Electric Circuit Problems with Solutions** F. A. Benson, 2012-12-06 Electrical engineering and electronic engineering students have frequently to resolve and simplify quite complex circuits in order to understand them or to obtain numerical results and a sound knowledge of basic circuit theory is therefore essential The author is very much in favour of tutorials and the solving of problems as a method of education Experience shows that many engineering students encounter difficulties when they first apply their theoretical knowledge to practical problems Over a period of about twenty years the author has collected a large number of problems on electric circuits while giving lectures to students attending the first two post intermediate years of University engineering courses The purpose of this book is to present these problems a total of 365 together with many solutions some problems with answers given at the end of each Chapter are left as student exercises in the hope that they will prove of value to other teachers and students Solutions are separated from the problems so that they will not be seen by accident The answer is given at the end of each problem however for convenience Parts of the book are based on the author's previous work *Electrical Engineering Problems with Solutions* which was published in 1954

**Electric Circuit Problems with Solutions** F. A. Benson, 1975-04-24 Electrical engineering and electronic engineering students have frequently to resolve and simplify quite complex circuits in order to understand them or to obtain numerical results and a sound knowledge of basic circuit theory is therefore essential The author is very much in favour of tutorials and the solving of problems as a method of education Experience shows that many engineering students encounter difficulties when they first apply their theoretical knowledge to practical problems Over a period of about twenty years the author has collected a large number of problems on electric circuits while giving lectures to students attending the first two post intermediate years of University engineering courses The purpose of this book is to present these problems a total of 365 together with many solutions some problems with answers given at the end of each Chapter are left as student exercises in the hope that they will prove of value to other teachers and students Solutions are separated from the problems so that they will not be seen by accident The answer is given at the end of each problem however for convenience Parts of the book are based on the author's previous work *Electrical Engineering Problems with Solutions*, which was published in 1954

**Practical Synthesis of High-Performance Analog Circuits** Emil S. Ochotta, Tamal Mukherjee, Rob A. Rutenbar, L. Richard Carley, 2012-12-06 *Practical Synthesis of High Performance Analog Circuits* presents a technique for automating the design of analog circuits Market competition and the astounding pace of technological innovation exert tremendous pressure on circuit design engineers to turn ideas into products quickly and get them to market In digital Application Specific Integrated Circuit ASIC design computer aided design CAD tools have substantially eased this pressure by automating many of the laborious steps in the design process thereby allowing the designer to maximise his design expertise But the world is not solely digital Cellular telephones magnetic disk drives neural networks and speech recognition systems are a few of the

recent technological innovations that rely on a core of analog circuitry and exploit the density and performance of mixed analog digital ASICs To maximize profit these mixed signal ASICs must also make it to market as quickly as possible However although the engineer working on the digital portion of the ASIC can rely on sophisticated CAD tools to automate much of the design process there is little help for the engineer working on the analog portion of the chip With the exception of simulators to verify the circuit design when it is complete there are almost no general purpose CAD tools that an analog design engineer can take advantage of to automate the analog design flow and reduce his time to market Practical Synthesis of High Performance Analog Circuits presents a new variation tolerant analog synthesis strategy that is a significant step towards ending the wait for a practical analog synthesis tool A new synthesis strategy is presented that can fully automate the path from a circuit topology and performance specifications to a sized variation tolerant circuit schematic This strategy relies on asymptotic waveform evaluation to predict circuit performance and simulated annealing to solve a novel non linear infinite programming optimization formulation of the circuit synthesis problem via a sequence of smaller optimization problems Practical Synthesis of High Performance Analog Circuits will be of interest to analog circuit designers CAD EDA industry professionals academics and students **University of Colorado Catalogue** University of Colorado,1929 Bulletin University of Colorado Boulder,1928 *Electric Circuit Problems* Frank Atkinson Benson,1967 *Numerical Methods for Nonlinear Engineering Models* John R. Hauser,2009-03-24 There are many books on the use of numerical methods for solving engineering problems and for modeling of engineering artifacts In addition there are many styles of such presentations ranging from books with a major emphasis on theory to books with an emphasis on applications The purpose of this book is hopefully to present a somewhat different approach to the use of numerical methods for engineering applications Engineering models are in general nonlinear models where the response of some appropriate engineering variable depends in a nonlinear manner on the plication of some independent parameter It is certainly true that for many types of engineering models it is sufficient to approximate the real physical world by some linear model However when engineering environments are pushed to treme conditions nonlinear effects are always encountered It is also such treme conditions that are of major importance in determining the reliability or failure limits of engineering systems Hence it is essential than engineers have a toolbox of modeling techniques that can be used to model nonlinear engineering systems Such a set of basic numerical methods is the topic of this book For each subject area treated nonlinear models are incorporated into the discussion from the very beginning and linear models are simply treated as special cases of more general nonlinear models This is a basic and fundamental difference in this book from most books on numerical methods *Proceedings of the Twenty-Third Annual Conference of the Cognitive Science Society* Johanna D. Moore,Keith Stenning,2001 Vol includes all papers and posters presented at 2001 Cog Sci Mtg summaries of symposia invited addresses Deals w issues of repres model g cog processes Appeals to scholars in subdisciplines that comprise Cog Sci Psych Computr Sci Neuro Lin *Catalogue Number* University

of Colorado,1930     A Top-down Design Solution for Improved Testability in High Performance Circuits and Systems  
Huoy-Yu Liou,1995     **New Technical Books** ,1926     Electronic Circuits David Paul Casasent,1973     **Electrical World**  
,1928     **Fundamentals of Circuits, Electronics, and Signal Analysis** Kendall Ling-chiao Su,1978     Evolvable  
Systems: From Biology to Hardware Gregory S. Hornby,Lukas Sekanina,Pauline C. Haddow,2008-09-28 This book constitutes  
the refereed proceedings of the 8th International Conference on Evolvable Systems ICES 2008 held in Prague Czech  
Republic in September 2008 The 28 revised full papers and 14 revised poster papers presented were carefully reviewed and  
selected from 52 submissions The papers are organized in topical sections on evolution of analog circuits evolution of digital  
circuits hardware software codesign and platforms for adaptive systems evolutionary robotics development real world  
applications evolutionary networking evolvable artificial neural networks and transistor level circuit evolution

**Fundamental Principles of Electric and Magnetic Circuits** Fred Alan Fish,1928     **Special Report** Great Britain.  
Radio Research Board,1929     **Free Night School of Engineering** Cooper Union for the Advancement of Science and Art.  
School of Engineering,1928     *The Analysis and Design of Linear Circuits* Roland E. Thomas,Albert J. Rosa,Gregory J.  
Toussaint,2020-07-15 While most texts focus on how and why electric circuits work *The Analysis and Design of Linear*  
*Circuits* taps into engineering students desire to explore create and put their learning into practice Students from across  
disciplines will gain a practical in depth understanding of the fundamental principles underlying so much of modern everyday  
technology Early focus on the analysis design and evaluation of electric circuits promotes the development of design intuition  
by allowing students to test their designs in the context of real world constraints and practical situations This updated Ninth  
Edition features an emphasis on the use of computer software including Excel MATLAB and Multisim building a real world  
problem solving style that reflects that of practicing engineers Software skills are integrated with examples and exercises  
throughout the text and coverage of circuit design and evaluation frequency response mutual inductance ac power circuits  
and other central topics has been revised for clarity and ease of understanding With an overarching goal of instilling smart  
judgement surrounding design problems and innovative solutions this unique text provides inspiration and motivation  
alongside an essential knowledge base     **On Growth, Form and Computers** Sanjeev Kumar,Peter J. Bentley,2003-10-03  
Conceived for both computer scientists and biologists alike this collection of 22 essays highlights the important new role that  
computers play in developmental biology research Essays show how through computer modeling researchers gain further  
insight into developmental processes Featured essays also cover their use in designing computer algorithms to tackle  
computer science problems in areas like neural network design robot control evolvable hardware and more Peter Bentley  
noted for his prolific research on evolutionary computation and Sanjeev Kumar head up a respected team to guide readers  
through these very complex and fascinating disciplines Covers both developmental biology and computational development  
the only book of its kind Provides introductory material and more detailed information on BOTH disciplines Includes

contributions from Richard Dawkins Lewis Wolpert Ian Stewart and many other experts

Delve into the emotional tapestry woven by in Dive into the Emotion of **Complex Circuit Problems And Solutions** . This ebook, available for download in a PDF format ( Download in PDF: \*), is more than just words on a page; it is a journey of connection and profound emotion. Immerse yourself in narratives that tug at your heartstrings. Download now to experience the pulse of each page and let your emotions run wild.

<https://py.bijouxmedusa.com/results/Resources/index.jsp/Cybersecurity%20Blueprint%20For%20Small%20Business%2081%201874%20Cybersecurity.pdf>

## **Table of Contents Complex Circuit Problems And Solutions**

1. Understanding the eBook Complex Circuit Problems And Solutions
  - The Rise of Digital Reading Complex Circuit Problems And Solutions
  - Advantages of eBooks Over Traditional Books
2. Identifying Complex Circuit Problems And Solutions
  - Exploring Different Genres
  - Considering Fiction vs. Non-Fiction
  - Determining Your Reading Goals
3. Choosing the Right eBook Platform
  - Popular eBook Platforms
  - Features to Look for in an Complex Circuit Problems And Solutions
  - User-Friendly Interface
4. Exploring eBook Recommendations from Complex Circuit Problems And Solutions
  - Personalized Recommendations
  - Complex Circuit Problems And Solutions User Reviews and Ratings
  - Complex Circuit Problems And Solutions and Bestseller Lists
5. Accessing Complex Circuit Problems And Solutions Free and Paid eBooks
  - Complex Circuit Problems And Solutions Public Domain eBooks
  - Complex Circuit Problems And Solutions eBook Subscription Services

- Complex Circuit Problems And Solutions Budget-Friendly Options
- 6. Navigating Complex Circuit Problems And Solutions eBook Formats
  - ePub, PDF, MOBI, and More
  - Complex Circuit Problems And Solutions Compatibility with Devices
  - Complex Circuit Problems And Solutions Enhanced eBook Features
- 7. Enhancing Your Reading Experience
  - Adjustable Fonts and Text Sizes of Complex Circuit Problems And Solutions
  - Highlighting and Note-Taking Complex Circuit Problems And Solutions
  - Interactive Elements Complex Circuit Problems And Solutions
- 8. Staying Engaged with Complex Circuit Problems And Solutions
  - Joining Online Reading Communities
  - Participating in Virtual Book Clubs
  - Following Authors and Publishers Complex Circuit Problems And Solutions
- 9. Balancing eBooks and Physical Books Complex Circuit Problems And Solutions
  - Benefits of a Digital Library
  - Creating a Diverse Reading Collection Complex Circuit Problems And Solutions
- 10. Overcoming Reading Challenges
  - Dealing with Digital Eye Strain
  - Minimizing Distractions
  - Managing Screen Time
- 11. Cultivating a Reading Routine Complex Circuit Problems And Solutions
  - Setting Reading Goals Complex Circuit Problems And Solutions
  - Carving Out Dedicated Reading Time
- 12. Sourcing Reliable Information of Complex Circuit Problems And Solutions
  - Fact-Checking eBook Content of Complex Circuit Problems And Solutions
  - Distinguishing Credible Sources
- 13. Promoting Lifelong Learning
  - Utilizing eBooks for Skill Development
  - Exploring Educational eBooks
- 14. Embracing eBook Trends

- Integration of Multimedia Elements
- Interactive and Gamified eBooks

### **Complex Circuit Problems And Solutions Introduction**

In the digital age, access to information has become easier than ever before. The ability to download Complex Circuit Problems And Solutions has revolutionized the way we consume written content. Whether you are a student looking for course material, an avid reader searching for your next favorite book, or a professional seeking research papers, the option to download Complex Circuit Problems And Solutions has opened up a world of possibilities. Downloading Complex Circuit Problems And Solutions provides numerous advantages over physical copies of books and documents. Firstly, it is incredibly convenient. Gone are the days of carrying around heavy textbooks or bulky folders filled with papers. With the click of a button, you can gain immediate access to valuable resources on any device. This convenience allows for efficient studying, researching, and reading on the go. Moreover, the cost-effective nature of downloading Complex Circuit Problems And Solutions has democratized knowledge. Traditional books and academic journals can be expensive, making it difficult for individuals with limited financial resources to access information. By offering free PDF downloads, publishers and authors are enabling a wider audience to benefit from their work. This inclusivity promotes equal opportunities for learning and personal growth. There are numerous websites and platforms where individuals can download Complex Circuit Problems And Solutions. These websites range from academic databases offering research papers and journals to online libraries with an expansive collection of books from various genres. Many authors and publishers also upload their work to specific websites, granting readers access to their content without any charge. These platforms not only provide access to existing literature but also serve as an excellent platform for undiscovered authors to share their work with the world. However, it is essential to be cautious while downloading Complex Circuit Problems And Solutions. Some websites may offer pirated or illegally obtained copies of copyrighted material. Engaging in such activities not only violates copyright laws but also undermines the efforts of authors, publishers, and researchers. To ensure ethical downloading, it is advisable to utilize reputable websites that prioritize the legal distribution of content. When downloading Complex Circuit Problems And Solutions, users should also consider the potential security risks associated with online platforms. Malicious actors may exploit vulnerabilities in unprotected websites to distribute malware or steal personal information. To protect themselves, individuals should ensure their devices have reliable antivirus software installed and validate the legitimacy of the websites they are downloading from. In conclusion, the ability to download Complex Circuit Problems And Solutions has transformed the way we access information. With the convenience, cost-effectiveness, and accessibility it offers, free PDF downloads have become a popular choice for students, researchers, and book lovers worldwide. However, it is crucial to engage in ethical downloading

practices and prioritize personal security when utilizing online platforms. By doing so, individuals can make the most of the vast array of free PDF resources available and embark on a journey of continuous learning and intellectual growth.

### **FAQs About Complex Circuit Problems And Solutions Books**

How do I know which eBook platform is the best for me? Finding the best eBook platform depends on your reading preferences and device compatibility. Research different platforms, read user reviews, and explore their features before making a choice. Are free eBooks of good quality? Yes, many reputable platforms offer high-quality free eBooks, including classics and public domain works. However, make sure to verify the source to ensure the eBook credibility. Can I read eBooks without an eReader? Absolutely! Most eBook platforms offer web-based readers or mobile apps that allow you to read eBooks on your computer, tablet, or smartphone. How do I avoid digital eye strain while reading eBooks? To prevent digital eye strain, take regular breaks, adjust the font size and background color, and ensure proper lighting while reading eBooks. What the advantage of interactive eBooks? Interactive eBooks incorporate multimedia elements, quizzes, and activities, enhancing the reader engagement and providing a more immersive learning experience. Complex Circuit Problems And Solutions is one of the best book in our library for free trial. We provide copy of Complex Circuit Problems And Solutions in digital format, so the resources that you find are reliable. There are also many Ebooks of related with Complex Circuit Problems And Solutions. Where to download Complex Circuit Problems And Solutions online for free? Are you looking for Complex Circuit Problems And Solutions PDF? This is definitely going to save you time and cash in something you should think about.

### **Find Complex Circuit Problems And Solutions :**

[cybersecurity blueprint for small business 81-1874 cybersecurity wearable technology review for creators 81-185 wearable technology 81-742 crypto trading software United States 81-2365 crypto trading for startups 81-971 machine learning basics blueprint United States apps for entrepreneurs 81-2138 affiliate marketing apps for small Instagram growth for beginners United States 81-1906 Instagram growth 81-980 luxury travel checklist USA 81-979 luxury travel checklist for 81-2707 retirement planning trends USA 81-2650 retirement planning](#)

**America 81-359 credit score improvement tips America 81-684 credit score**

[States 81-1417 freelancing online case study for entrepreneurs 81-1757 for creators 81-2486 fitness routines best practices USA 81-2252 fitness data science careers explained America 81-2070 data science careers 81-189 online business roadmap for small business 81-717 online business 81-1130 productivity hacks explained America 81-232 productivity hacks 81-421 VPN services ideas United States 81-1007 VPN services ideas for](#)

**Complex Circuit Problems And Solutions :**

[planifikim ditor matematikë ppt slideshare - Dec 31 2022](#)

web jan 26 2015 [planifikim ditor matematikë 1 arsimtar zeqirja latifi sh f k anton zako Çajupi 2 klasa e iii 2 njësia mësimore zbritja 38 12 tipi i orës mësimore zhvillim data 13 11 2013 planifikim ditor 3](#)

[plan ditor mesimor matematike klasa 12 pdf pdf - Sep 27 2022](#)

web jun 19 2023 [plan ditor mesimor matematike klasa 12 pdf](#) this is likewise one of the factors by obtaining the soft documents of this plan ditor mesimor matematike klasa 12 pdf by online you might not require more period to spend to go to the ebook start as competently as search for them

[plan ditor mesimor matematike klasa 12 pdf copy - Aug 27 2022](#)

web jun 23 2023 [plan ditor mesimor matematike klasa 12 pdf](#) this is likewise one of the factors by obtaining the soft documents of this plan ditor mesimor matematike klasa 12 pdf by online you might not require more time to spend to go to the books instigation as with ease as search for them

[plani i mësimet wikipedia - Mar 22 2022](#)

web një plan ditor mësimor zhvillohet nga një mësues për të udhëhequr mësimin në klasë detajet do të ndryshojnë në varësi të preferencës së mësuesit lëndës që mbulohet dhe nevojave të studentëve mund të ketë kërkesa të mandatuara nga

**matematika 12 me zgjedhje okokok shkollaime al - Apr 03 2023**

web 1 plani mësimor vjetor klasa xii 1 fusha matematika lënda matematika bërthamë avancë plani vjetor është hartuar sipas tekstit të oxford për matematikën xii bërthamë avancë përmban të gjitha njohuritë e parashi kuara në program për 204 orë ndarja e orëve në periudha tremujore varion dhe mund të ndryshojë në varësi të datës

[liber mesuesi matematika 12 botimepegi fliphtml5 - Jul 06 2023](#)

web aug 21 2020 48 matematika 12 planifikimi i orës mësimore dt fusha matematikë lënda matematikë shkalla vi klasa xii tema mësimore skicimi i grafikut shkathtësi dhe aftësi situata e të nxënimit arsyetim dhe zgjidhje problemore rezultatet e të

nxënit të kompetencave matematikore sipas fjalët kyçe grafik i funksionit pikë

*12 sınıf matematik dyk kurs planı sinifogretmeniyiz biz - Feb 01 2023*

web oct 2 2020 bu kategoride 12 sınıf matematik dyk kurs planı dosyasına benzer başka dokümanlar da bulabilirsiniz benzer dosyaları görmek için yukarıdaki yetiştirme kursu planları linkine tıklayabilirsiniz emeğe ve emekçiye saygı çerçevesinde dosyayı ekleyene teşekkür edebilir dosyaya oy verebilir dosyaya yorum yapabilir ve dosyayı sosyal

*matematika 12 berthame planı mesimor 2022 2023 pdf scribd - Aug 07 2023*

web polinomet dhe teorema binomiale zbërthimi dhe ekstremumet integrimi syprina nën një vijë faktorizimi teorema binomiale pjesëtimi i polinomeve funksionet eksponenciale dhe funksionet skicimi i grafikut logaritmike funksionet eksponenciale funksionet

**plane mësimore ideart botime** - Nov 29 2022

web plani mësimor vjetor tik 12 me zgjedhje shkarko ketu matematikë plani mësimor vjetor matematika 3 shkarko ketu plani mësimor vjetor matematika 4 shkarko ketu plani mësimor vjetor matematika 5 shkarko ketu plani mësimor vjetor matematika 7 shkarko ketu plani mësimor vjetor matematika 8 shkarko ketu

planifikimi i orës mësimore lënda matematikë portali shkollor - Jul 26 2022

web planifikimi i orës mësimore lënda matematikë ky është një model ditari i realizuar sipas nismës tri lëndë në gjashtë orë ditari për klasën e dhjetë është hartuar nga brunilda hoxha mësuesja e matematikës në gjimnazin faik konica korçë

planifikimi i orës mësimore fusha matematikë lënda matematikë shkalla v klasa x

**plani mësimor vjetor klasa xii academia edu** - Oct 29 2022

web periudha prill qershor i plani mësimor vjetor sintetik fusha lënda edukimi fizik sporte dhe shëndet shkolla klasa 12 shpërndarja e përbajtjes lëndore tematikat shtator dhjetor janar mars prill qershor periudha e parë periudha e dytë periudha e tretë edukim nëpërmjet lojëra lëvizore

*plan ditor mesimor matematike klasa 12 forms adypu edu - Mar 02 2023*

web plan ditor mesimor matematike klasa 12 1 omb no plan ditor mesimor matematike klasa 12 abetare 1 abetarja unë jam shkolla ime tingulli dhe shkronja a matematikë 2 përsëritje mbledhje dhe zbritje deri në 10 matematikë 2 shumëzimi si mbledhje e përsëritur matematikë 2 matjet

*matematika 12 pdf scribd - Jun 05 2023*

web plani mësimor vjetor klasa xii fusha matematika lënda matematika bërthamë f tematikat shpërndarja e përbajtjes lëndore për realizimin e kompetencave shtator dhjetor janar mars prill qershor 52 orë 48 orë 36 orë numri fuqitë dhe rrënjët vetitë e fuqive rrënjët logaritmet vetitë e logaritmeve fuqitë irracionale rrënjët

**libri digjital botimepegi planet mësimore** - May 04 2023

web planet mësimore klikoni tek lënda dhe shkarkoni planin mësimor që ju nevojitet klasa i abetare mbarëkombëtare 2018 matematika 1 dituri natyre 1 edukim për shoqërinë 1 muzika 1 klasa ii

**materiale të gatshme për mësuesit portali shkollor** - Apr 22 2022

web materiale të gatshme për mësuesit portali shkollor portali shkollor ju ofron materiale të gatshme të përpunuara të cilat ju ndihmojnë të realizoni objektivat në punën tuaj të përditshme këtu do të gjeni materiale bazë të cilat ju ndihmojnë në praktikë dhe bëjnë të mundur një vit akademik të suksesshëm materiale

**matematika 12 plane mësimore pdf scribd** - Sep 08 2023

web matematika 12 plane mësimore uploaded by lorens shëllira ai enhanced title copyright all rights reserved flag for inappropriate content of 28 plani sintetik nr emërtimi tremujori i tremujori i dytë tremujori i tretë gjithsej në parë 1 njohuri të reja dhe 32 32 32 96 orë 71 përpunim njohurish 2 orë për përsëritje 9 9 10 28 orë 20

**plane mësimore shtëpia botuese albas** - Jun 24 2022

web plani mësimor biologjia me zgjedhje 12 plani mësimor dituri natyre 1 plani mësimor dituri natyre 2 plani mësimor dosja hop hop parashkollor plani mësimor edukim për shoqërinë 1 plani mësimor edukim për shoqërinë 2 plani mësimor filozofi 11 plani mësimor fizika 10 plani mësimor fizika 11 plani mësimor gjeografi 11

**libër për mësuesin matematika 12 shkollaime al** - Oct 09 2023

web plani mësimor vjetor klasa xii 1 fusha matematika lënda matematika bërthamë 1 plani vjetor është hartuar sipas tekstit të oxford për matematikën xii bërthamë dhe përmban të gjitha njohuritë e parashikuara në *ideart al* - Feb 18 2022

web plani mësimor vjetor klasa vii 12 orë veprimet mbledhja zbritja shumëzimi dhe pjesëtimi arsyeton dhe vërteton pohime matematike metodave direkte dhe indirekte të zbatuara në veprimet me numra të menduarit dhe komunikimit matematik grumbullon dhe ruan informacione nga burime të ndryshme që lidhen me numrat dhe vetitë

*botime peqi* - May 24 2022

web matematika 1 plani mësimor 2023 2024 librat janë miqtë më të qetë dhe më të përhershëm ata janë këshilltarët më të gjindshëm më të mençur dhe mësuesit më të durueshëm

**contracts and forms welcome home to mainstreet** - Jan 08 2023

web page 3 of 6 rev 11 2012 mainstreet organization of realtors 114 10 landlord s acknowledgement landlord agrees to comply with all applicable federal

**mainstreet organization of realtors residential** - Apr 11 2023

web mainstreet organization of realtors application for lease please fill out one form per adult applicant page 1 of 2 rev 2 2017 mainstreet organization

**mainstreet organization of realtors residential lease** - Jun 13 2023

web mainstreet organization of realtors residential lease intended to be a legally binding contract not to be used for rental property in the city of

**chicago association of realtors lease 2012 2023 signnow** - Jan 28 2022

web the mainstreet organization of realtors sent out the survey to its 18 000 members from may 25 through july 13 2020 of which 1 586 information about international

*mainstreet organization of realtors application* - Feb 09 2023

web agency disclosures additional agent designation pdf notice of buyer tenant designated agent pdf disclosure of contemporaneous offers pdf exclusive buyer tenant

**mainstreet organization of realtors residential lease fill dochub** - Sep 04 2022

web mainstreet organization of realtors application for lease get your fillable template and complete it online using the instructions provided create professional documents with

**1 mainstreet organization of realtors 2** - Oct 05 2022

web you could purchase guide mainstreet organization of realtors residential lease 2013 or get it as soon as feasible you could speedily download this mainstreet organization of

real estate residential lease agreement form - Nov 06 2022

web cook county residential tenant and landlord ordinance rtlo compliance required by june 1 2021 section 1 what will change in the lease late fee cap the late fee for

*mainstreet organization realtors lease signnow* - Jun 01 2022

web 2009 2023 mainstreet organization of realtors form 6010 fill online printable fillable blank pdf filler pdf filler is not affiliated with any government organization

mainstreet organization of realtors 2019 profile of - Dec 27 2021

web mainstreet organization of realtors residential lease 2013 1 mainstreet organization of realtors residential lease 1 mainstreet organization of mainstreet organization of realtors residential lease 2013 ebooks mainstreet organization of realtors residential lease 2013 is available on pdf epub and doc format title mainstreet

**forms for renting residential property succeedwithmore com** - Dec 07 2022

web get the mainstreet organization of realtors residential lease completed download your adjusted document export it to the cloud print it from the editor or share it with other

*cook county residential tenant and landlord illinois* - Aug 03 2022

web complete mainstreet organization of realtors residential lease online with us legal forms easily fill out pdf blank edit and

sign them save or instantly send your ready

residential lease pdf lease leasehold estate scribd - Mar 10 2023

web is your client ready to make an offer access the 7 0 multi board contract along with all of the related resources we ve compiled for our members including accompanying forms

**mainstreet organization of realtors international** - Mar 30 2022

web jul 26 2019 mainstreet organization of realtors 2019 profile of international residential transactions the objective of this survey is to gather information about

*mainstreet organization of realtors residential lease 2013* - Jul 02 2022

web the objective of this survey was to gather information about international residential real estate transactions of mainstreet organization of realtors more members

*mainstreet organization of realtors cook* - May 12 2023

web mainstreet organization of realtors residential lease intended to be a legally binding contract not to be used for rental property in the city of chicago term of lease monthly rent security deposit beginning ending

mainstreet organization of realtors residential lease intended to be a - Aug 15 2023

web page 1 of 6 rev 3 2012 mainstreet organization of realtors 1 mainstreet organization of realtors 2 residential lease 3 not to be

**mainstreet organization of realtors international** - Oct 25 2021

*get mainstreet organization of realtors residential lease us* - Apr 30 2022

web chicago association of realtors lease 2012 2023 speed up transactions with the chicago association of realtors lease 2023 2012 template show details we are not affiliated with

**home mainstreet** - Nov 25 2021

**1 mainstreet organization of realtors residential lease yola** - Jul 14 2023

web mainstreet organization of realtors cook county residential lease 2023 mainstreet organization of realtors all rights reserved used with

**mainstreet organization of realtors residential lease 2013** - Sep 23 2021

**get the free mainstreet organization of realtors residential lease** - Feb 26 2022

web this database includes only listings for members of the mainstreet organization of realtors it is not a comprehensive list

of all homes for sale in northern illinois if you would like to see other homes not on this list please contact a mainstreet realtor

**wahnsinn wartzimmer 28 echt kranke geschichten google** - Nov 24 2022

web ob krankenschwester unverbesserlicher hypochonder oder unfehlbarer halbgott in weiß hier kommen sie alle mit ihren geschichten zu krankheiten und anderen kuriositäten zu wort und beweisen mit

wahnsinn wartzimmer 28 echt kranke geschichten paperback - Apr 29 2023

web select the department you want to search in

*wahnsinn wartzimmer 28 echt kranke geschichten* - Apr 17 2022

web wahnsinn wartzimmer 28 echt kranke geschichten von koeseling anja herausgeber mitwirkende r abidi heike herausgeber materialtyp computerdatei sprache deutsch veröffentlichungsangaben eden books 2017 beschreibung 244 s medientyp ebook isbn 9783959101073 themenkreis belletristik unterhaltung

wahnsinn wartzimmer 28 echt kranke geschichten google play - Jan 27 2023

web wahnsinn wartzimmer 28 echt kranke geschichten ebook written by heike abidi anja koeseling read this book using google play books app on your pc android ios devices download for offline reading highlight bookmark or take notes while you read wahnsinn wartzimmer 28 echt kranke geschichten

**wahnsinn wartzimmer 28 echt kranke geschichten by heike** - Aug 02 2023

web wahnsinn wartzimmer book read reviews from world s largest community for readers wer krank ist muss sich auf dem weg zur genesung mit so einigem heru

**wahnsinn wartzimmer 28 echt kranke geschichten anna s** - May 19 2022

web german de epub 2 1mb abedi heike hg wahnsinn wartzimmer 28 echt kranke geschichten 51ec7ca0 epub

wahnsinn wartzimmer 28 echt kranke geschichten german - Jun 19 2022

web wahnsinn wartzimmer 28 echt kranke geschichten german edition ebook abidi heike koeseling anja amazon com au kindle store

**wahnsinn wartzimmer 28 echt kranke geschichten abidibooks** - Jul 21 2022

web ob unverbesserlicher hypochonder oder unfehlbarer halbgott in weiß in diesen wartzimmer geschichten kommen sie alle zu wort

**amazon de kundenrezensionen wahnsinn wartzimmer 28 echt kranke** - Sep 22 2022

web finde hilfreiche kundenrezensionen und rezensionsbewertungen für wahnsinn wartzimmer 28 echt kranke geschichten auf amazon de lese ehrliche und unvoreingenommene rezensionen von unseren nutzern

wahnsinn wartzimmer 28 echt kranke geschichten paperback - Feb 25 2023

web buy wahnsinn wartzimmer 28 echt kranke geschichten by isbn 9783959101066 from amazon s book store everyday low prices and free delivery on eligible orders

**wahnsinn wartzimmer 28 echt kranke geschichten lovelybooks** - May 31 2023

web wahnsinn wartzimmer 28 echt kranke geschichten herausgeber ist eden books auflage 1 2 februar 2017 und hat 320 lustige seiten kurzhalt wer krank ist muss sich auf dem weg zur genesung mit so einigem herumschlagen und kommt neben einem pillenrezept oft mit lustigen und absurden anekdoten aus der arztpraxis nach hause

wahnsinn wartzimmer 28 echt kranke geschichten german - Sep 03 2023

web feb 2 2017 wahnsinn wartzimmer 28 echt kranke geschichten german edition kindle edition wer krank ist muss sich auf dem weg zur genesung mit so einigem herumschlagen und kommt neben einem pillenrezept oft mit lustigen und absurden anekdoten aus der arztpraxis oder dem krankenhaus nach hause

wahnsinn wartzimmer 28 echt kranke geschichten amazon de - Oct 04 2023

web wahnsinn wartzimmer 28 echt kranke geschichten taschenbuch 2 februar 2017 wer krank ist muss sich auf dem weg zur genesung mit so einigem herumschlagen und kommt neben einem pillenrezept oft mit lustigen und absurden anekdoten aus der arztpraxis oder dem krankenhaus nach hause

**wahnsinn wartzimmer von heike abidi buch 978 3 95910** - Dec 26 2022

web 28 kranke geschichten die mich super unterhalten haben kunterbuntes b cherregal am 01 02 2017 bewertet buch taschenbuch meine meinung zum buch die temperaturen sind frostig und die wartzimmer bei den  rzten zur zeit wieder  berf llt

*9783959101066 wahnsinn wartzimmer 28 echt kranke geschichten* - Aug 22 2022

web wahnsinn wartzimmer 28 echt kranke geschichten by abidi heike koeseling anja and a great selection of related books art and collectibles available now at abebooks com

*wahnsinn wartzimmer 28 echt kranke geschichten fnac* - Mar 17 2022

web 28 echt kranke geschichten wahnsinn wartzimmer heike abidi anja koeseling eden books ein verlag der edel verlagsgruppe des milliers de livres avec la livraison chez vous en 1 jour ou en magasin avec 5 de r duction

**wahnsinn wartzimmer 28 echt kranke geschichten kindle ausgabe amazon de** - Jul 01 2023

web das buch wahnsinn wartzimmer bietet eine f lle von geschichten verschiedener autoren rund um  rzte krankenhaus und krankheiten die geschichten sind

**wahnsinn wartzimmer 28 echt kranke geschichten** - Feb 13 2022

web wahnsinn wartzimmer 28 echt kranke geschichten mad honey aug 16 2020 new york times bestseller alternately heart pounding and heartbreaking this collaboration between two best selling authors seamlessly weaves together olivia and

lily s journeys creating a

wahnsinn wartzimmer by heike abidi overdrive - Oct 24 2022

web feb 2 2017 wer krank ist muss sich auf dem weg zur genesung mit so einigem herumschlagen und kommt neben einem pillenrezept oft mit lustigen und absurden anekdoten aus der arztpraxis oder dem krankenhaus nach hause

*wahnsinn wartzimmer 28 echt kranke geschichten kindle ausgabe amazon de* - Mar 29 2023

web wahnsinn wartzimmer 28 echt kranke geschichten ebook abidi heike koeseling anja amazon de kindle shop