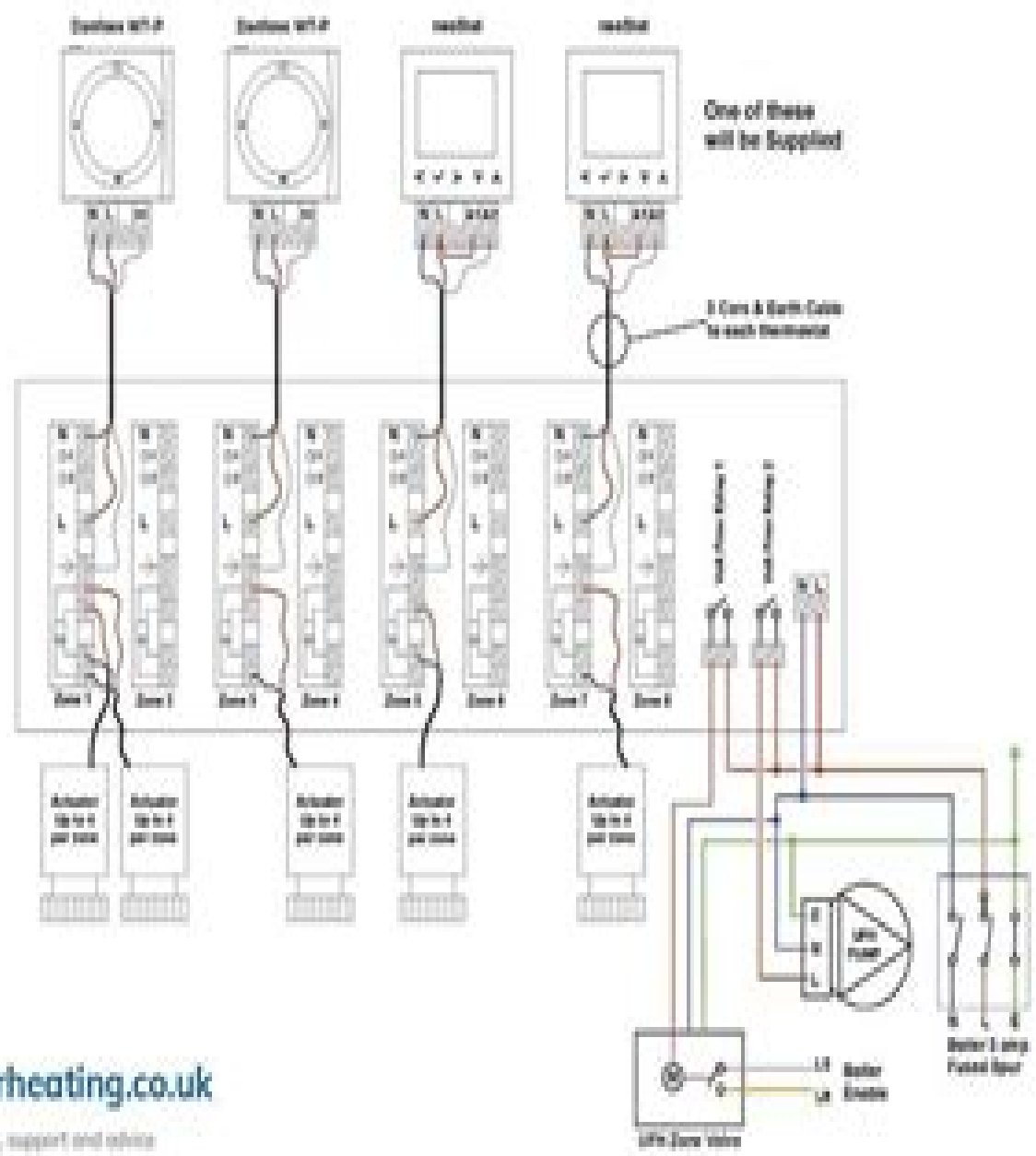


Wiring using a Wiring Centre (Multi Zone)



visit

Connection Example Danfoss

Lingjun Ying



Connection Example Danfoss:

Network Based High Speed Product Development Peter Lindgren, 2022-09-01 In the first decade of the 21st century product development in networks was predicted to be of ever increasing importance to businesses of all sizes because of changes in markets in technology in networks and in the competences of Businesses The growth in new products share of businesses total turnover and earnings were increasing at an unprecedented speed The entrepreneurial innovations and technological improvements had resulted in the increasingly fast development of new products and services Businesses and industries in different countries became increasingly more linked and interdependent in networks with respect to materials business operations and particularly product development to match the wants and needs of the global market environment to high speed product development Businesses were therefore encountering increasingly dynamic market fragmentation shrinking time in market increasing product variety demands of production to customer specifications reduced product lifetimes and globalization of production Networks were vital because the competition is not business against business but network against network Networks are vital because an increasing part of product development was carried out in all types of networks containing physical ICT dynamic and virtual networks Speed and pressure on time in product development seemed to continue to increase because customer demands for new products seemed to continue to increase However a Business seldom possessed all needed competences and managers saw product development based on networks as an important solution to meet the strong competition of the future global markets and the strong demand for innovation and innovativeness The evolution of market demands and focus required on competencies of businesses could be characterized as a development from a focus on efficiency to a focus on quality and flexibility to a focus on speed and innovativeness This was why it was interesting and important to research and discuss product development and especially to understand high speed product development of individualized products in fragile market segments Consequently findings and learning on aspects like enablers management tools technological tools product development models product development processes and network tools to speed new product development are presented in this book [Entrepreneurship in Theory and Practice](#) Suna Løwe Nielsen, Kim Klyver, Majbritt Rostgaard Evald, Torben Bager, 2021-03-26 The third edition of this creative and successful textbook provides a broad overview of entrepreneurship from a theoretical and practical perspective Engaging for undergraduates it embeds theories of entrepreneurship with tensions and dilemmas presented as paradoxes for each chapter It offers insights into the entrepreneurial process and challenges readers to assess the paradoxes and pitfalls encountered on an entrepreneurial journey

Collaborative Communities of Firms Anne Bøllingtoft, Lex Donaldson, George P. Huber, Dorthe Døjbak Håkonsson, Charles C. Snow, 2011-11-23 Faced with the ever accelerating pace of technological change and the restructuring of markets many firms have been questioning the appropriateness of their own organizational structure and effectiveness Consequently we have witnessed much organizational experimentation and the development of new forms

of organizing over the last decade Firms are more dependent than ever on the need for continuous and radical innovations and often innovations that go beyond their existing businesses This challenges firms in terms of knowledge and idea sharing and often necessitates the need to expand beyond the boundaries of the single firm for multi party collaboration to meet serious challenges and develop creative solutions Drawing from the Fourth International Workshop on Organization Design and featuring contributions from an international array of specialists this volume focuses on the expansion beyond the boundaries of the single firm and multi firm networks to include for example community based organization designs A community is a connected set of firms the connections can take on many different dimensions For organization design theory community based organizations have many implications For one organization design theory has to identify and describe designs that enhance collaborative behavior among firms without restricting the ability of the individual firm to continue to compete within its own marketplace Moreover organization design theory also has to identify and describe information processing strategies and designs that allow the continuous generation sharing and application of existing information and knowledge The development of effective collaborative community designs is critically important to the global economy because increasingly our future depends on pursuing shared goals and sustainably developing our global commons Ideally the ideas and findings in this book will contribute to increased attention to new organization designs capable of meeting 21st century opportunities and challenges

Embedded Software ,2005 **Mass Customisation and Personalisation in Architecture and Construction** Poorang Piroozfar, Frank Piller, 2013-06-19 Challenged by the recent economic crisis the building and construction industry is currently seeking new orientation and strategies Here mass customisation is uncovered as a key strategy in helping to meet this challenge The term mass customisation denotes an offering that meets the demands of each individual customer whilst still being produced with mass production efficiency Today mass customisation is emerging from a pilot stage into a scalable and sustainable strategy The first dedicated publication of its kind this book provides a forum for the concept within an applied and highly innovative context The book includes contributions from some of the most prominent thinkers and practitioners in the field from across the world including Kasper S Vibaek Steve Kendall Martin Bechthold Mitchell M Tseng and Masa Noguchi Bringing together this panel of experts who have carried out research both in academia and practice this book provides an overview of state of the art practice related to the concept of customisation and personalisation within the built environment

Water 21 ,1999 **Interactions** ,1997 A magazine for designers of interactive products **Processing** ,1984 From Ideas to Action Jan-Olaf Willums, Ulrich Golüke, 1992 The earth our asset Business sustainable development and environmental assets The air around us The water we need The vanishing forests The richness of nature biodiversity The lost resource waste Hopes and promises population poverty and health The business response to sustainable development The greening of enterprise industry s score Fueling economic development the double edge of energy Bridging the gap industry s role in technology cooperation The road ahead The ICC

business charter for sustainable development The history of the business charter Further reference material on cases Corporate environmental profiles The Rio declaration and ICC business charter on environment and development Reference documents **The Engineering and Boiler House Review** ,1962 **The Journal of Refrigeration** ,1968 Modern Refrigeration ... ,1974 **Modern Refrigeration and Air Control** ,1962 **Desalination** Jane Kucera,2019-04-11 This all new revised edition of a modern classic is the most comprehensive and up to date coverage of the green process of desalination in industrial and municipal applications covering all of the processes and equipment necessary to design operate and troubleshoot desalination systems This is becoming increasingly more important for not only our world s industries but our world s populations as pure water becomes more and more scarce Blue is the new green This is an all new revised edition of a modern classic on one of the most important subjects in engineering Water Featuring a total revision of the initial volume this is the most comprehensive and up to date coverage of the process of desalination in industrial and municipal applications a technology that is becoming increasingly more important as more and more companies choose to go green This book covers all of the processes and equipment necessary to design operate and troubleshoot desalination systems from the fundamental principles of desalination technology and membranes to the much more advanced engineering principles necessary for designing a desalination system Earlier chapters cover the basic principles the economics of desalination basic terms and definitions and essential equipment The book then goes into the thermal processes involved in desalination such as various methods of evaporation distillation recompression and multistage flash Following that is an exhaustive discussion of the membrane processes involved in desalination such as reverse osmosis forward osmosis and electro dialysis Finally the book concludes with a chapter on the future of these technologies and their place in industry and how they can be of use to society This book is a must have for anyone working in water for engineers technicians scientists working in research and development and operators It is also useful as a textbook for graduate classes studying industrial water applications

Market Oriented Product Innovation Knut Holt,2013-03-14 Market Oriented Product Innovation differs from most other titles written either from a marketing or technical perspective by giving a holistic view of the product innovation process It has a product perspective written from a managerial point of view recognizing that product innovation or new product development is a discipline of its own It is concerned with managing the products goods and services through their life cycle integrating marketing knowledge and technological expertise with the aim of getting satisfied customers The book also gives a thorough treatment of the human and cultural aspects of product innovation by focusing on the change processes needed for the development of a market oriented culture *Engineering and Boiler House Review* ,1956 *Federal Register* ,2013-12 *Engineering Materials and Design* ,1990 *Equal Opportunities Review* ,2002 *The Journal of the Institution of Heating and Ventilating Engineers* Institution of Heating and Ventilating Engineers (Great Britain),1960

Decoding **Connection Example Danfoss**: Revealing the Captivating Potential of Verbal Expression

In a period characterized by interconnectedness and an insatiable thirst for knowledge, the captivating potential of verbal expression has emerged as a formidable force. Its capability to evoke sentiments, stimulate introspection, and incite profound transformations is genuinely awe-inspiring. Within the pages of "**Connection Example Danfoss**," a mesmerizing literary creation penned by way of a celebrated wordsmith, readers attempt an enlightening odyssey, unraveling the intricate significance of language and its enduring effect on our lives. In this appraisal, we shall explore the book's central themes, evaluate its distinctive writing style, and gauge its pervasive influence on the hearts and minds of its readership.

<https://py.bijouxmedusa.com/files/virtual-library/HomePages/Ideas%20Examples%20For%20Small%20Business%2067%202303%20Mobile%20App%20Ideas%20For%20Beginners.pdf>

Table of Contents Connection Example Danfoss

1. Understanding the eBook Connection Example Danfoss
 - The Rise of Digital Reading Connection Example Danfoss
 - Advantages of eBooks Over Traditional Books
2. Identifying Connection Example Danfoss
 - Exploring Different Genres
 - Considering Fiction vs. Non-Fiction
 - Determining Your Reading Goals
3. Choosing the Right eBook Platform
 - Popular eBook Platforms
 - Features to Look for in a Connection Example Danfoss
 - User-Friendly Interface
4. Exploring eBook Recommendations from Connection Example Danfoss
 - Personalized Recommendations
 - Connection Example Danfoss User Reviews and Ratings

- Connection Example Danfoss and Bestseller Lists
- 5. Accessing Connection Example Danfoss Free and Paid eBooks
 - Connection Example Danfoss Public Domain eBooks
 - Connection Example Danfoss eBook Subscription Services
 - Connection Example Danfoss Budget-Friendly Options
- 6. Navigating Connection Example Danfoss eBook Formats
 - ePub, PDF, MOBI, and More
 - Connection Example Danfoss Compatibility with Devices
 - Connection Example Danfoss Enhanced eBook Features
- 7. Enhancing Your Reading Experience
 - Adjustable Fonts and Text Sizes of Connection Example Danfoss
 - Highlighting and Note-Taking Connection Example Danfoss
 - Interactive Elements Connection Example Danfoss
- 8. Staying Engaged with Connection Example Danfoss
 - Joining Online Reading Communities
 - Participating in Virtual Book Clubs
 - Following Authors and Publishers Connection Example Danfoss
- 9. Balancing eBooks and Physical Books Connection Example Danfoss
 - Benefits of a Digital Library
 - Creating a Diverse Reading Collection Connection Example Danfoss
- 10. Overcoming Reading Challenges
 - Dealing with Digital Eye Strain
 - Minimizing Distractions
 - Managing Screen Time
- 11. Cultivating a Reading Routine Connection Example Danfoss
 - Setting Reading Goals Connection Example Danfoss
 - Carving Out Dedicated Reading Time
- 12. Sourcing Reliable Information of Connection Example Danfoss
 - Fact-Checking eBook Content of Connection Example Danfoss
 - Distinguishing Credible Sources

13. Promoting Lifelong Learning
 - Utilizing eBooks for Skill Development
 - Exploring Educational eBooks
14. Embracing eBook Trends
 - Integration of Multimedia Elements
 - Interactive and Gamified eBooks

Connection Example Danfoss Introduction

In today's digital age, the availability of Connection Example Danfoss books and manuals for download has revolutionized the way we access information. Gone are the days of physically flipping through pages and carrying heavy textbooks or manuals. With just a few clicks, we can now access a wealth of knowledge from the comfort of our own homes or on the go. This article will explore the advantages of Connection Example Danfoss books and manuals for download, along with some popular platforms that offer these resources. One of the significant advantages of Connection Example Danfoss books and manuals for download is the cost-saving aspect. Traditional books and manuals can be costly, especially if you need to purchase several of them for educational or professional purposes. By accessing Connection Example Danfoss versions, you eliminate the need to spend money on physical copies. This not only saves you money but also reduces the environmental impact associated with book production and transportation. Furthermore, Connection Example Danfoss books and manuals for download are incredibly convenient. With just a computer or smartphone and an internet connection, you can access a vast library of resources on any subject imaginable. Whether you're a student looking for textbooks, a professional seeking industry-specific manuals, or someone interested in self-improvement, these digital resources provide an efficient and accessible means of acquiring knowledge. Moreover, PDF books and manuals offer a range of benefits compared to other digital formats. PDF files are designed to retain their formatting regardless of the device used to open them. This ensures that the content appears exactly as intended by the author, with no loss of formatting or missing graphics. Additionally, PDF files can be easily annotated, bookmarked, and searched for specific terms, making them highly practical for studying or referencing. When it comes to accessing Connection Example Danfoss books and manuals, several platforms offer an extensive collection of resources. One such platform is Project Gutenberg, a nonprofit organization that provides over 60,000 free eBooks. These books are primarily in the public domain, meaning they can be freely distributed and downloaded. Project Gutenberg offers a wide range of classic literature, making it an excellent resource for literature enthusiasts. Another popular platform for Connection Example Danfoss books and manuals is Open Library. Open Library is an initiative of the Internet Archive, a non-profit organization dedicated to digitizing cultural artifacts and making them accessible to the public.

Open Library hosts millions of books, including both public domain works and contemporary titles. It also allows users to borrow digital copies of certain books for a limited period, similar to a library lending system. Additionally, many universities and educational institutions have their own digital libraries that provide free access to PDF books and manuals. These libraries often offer academic texts, research papers, and technical manuals, making them invaluable resources for students and researchers. Some notable examples include MIT OpenCourseWare, which offers free access to course materials from the Massachusetts Institute of Technology, and the Digital Public Library of America, which provides a vast collection of digitized books and historical documents. In conclusion, Connection Example Danfoss books and manuals for download have transformed the way we access information. They provide a cost-effective and convenient means of acquiring knowledge, offering the ability to access a vast library of resources at our fingertips. With platforms like Project Gutenberg, Open Library, and various digital libraries offered by educational institutions, we have access to an ever-expanding collection of books and manuals. Whether for educational, professional, or personal purposes, these digital resources serve as valuable tools for continuous learning and self-improvement. So why not take advantage of the vast world of Connection Example Danfoss books and manuals for download and embark on your journey of knowledge?

FAQs About Connection Example Danfoss Books

How do I know which eBook platform is the best for me? Finding the best eBook platform depends on your reading preferences and device compatibility. Research different platforms, read user reviews, and explore their features before making a choice. Are free eBooks of good quality? Yes, many reputable platforms offer high-quality free eBooks, including classics and public domain works. However, make sure to verify the source to ensure the eBook credibility. Can I read eBooks without an eReader? Absolutely! Most eBook platforms offer web-based readers or mobile apps that allow you to read eBooks on your computer, tablet, or smartphone. How do I avoid digital eye strain while reading eBooks? To prevent digital eye strain, take regular breaks, adjust the font size and background color, and ensure proper lighting while reading eBooks. What the advantage of interactive eBooks? Interactive eBooks incorporate multimedia elements, quizzes, and activities, enhancing the reader engagement and providing a more immersive learning experience. Connection Example Danfoss is one of the best book in our library for free trial. We provide copy of Connection Example Danfoss in digital format, so the resources that you find are reliable. There are also many Ebooks of related with Connection Example Danfoss. Where to download Connection Example Danfoss online for free? Are you looking for Connection Example Danfoss PDF? This is definitely going to save you time and cash in something you should think about.

Find Connection Example Danfoss :

ideas examples for small business 67-2303 mobile app ideas for beginners
Instagram growth tools USA 67-1312 Instagram growth tools United States
review USA 67-666 crypto trading review United States 67-129 crypto
software USA 67-205 retirement planning software USA 67-6 retirement
United States 67-2057 TikTok marketing strategies United States 67-2352
wellness apps for small business 67-1497 mental wellness apps for small
67-2902 coding for beginners examples United States 67-2008 coding for
67-2564 Instagram growth tools for creators 67-2530 Instagram growth
entrepreneurs 67-180 cloud computing tutorial United States 67-1844
States 67-917 small business ideas review for small business 67-718
cybersecurity explained USA 67-1983 cybersecurity explained for creators
startup funding examples United States 67-2327 startup funding examples
work roadmap for entrepreneurs 67-2966 remote work roadmap for
tutorial for startups 67-2796 sustainable living apps America 67-1969
planning step by step for creators 67-324 retirement planning step by

Connection Example Danfoss :

pdf epub we got the neutron bomb the untold story of l - May 08 2022
oct 31 2022 *brief summary of book we got the neutron bomb the untold story of l a punk by brendan mullen here is a quick*
description and cover image of book we got the neutron bomb the untold story of l a punk written by brendan mullen which
was published in 2001 1 1 you can read this before we got the neutron bomb the untold story of l a
we got the neutron bomb abebooks - Aug 11 2022
we got the neutron bomb the untold story of l a punk by spitz marc mullen brendan and a great selection of related books art
and collectibles available now at abebooks com we got the neutron bomb 20 results you searched
ode to east l a punk and the backyard gigs we inherited - Mar 06 2022
2 days ago *books like marc spitz and brendan mullen s we got the neutron bomb the untold story of l a punk detail how*
beginning in 1976 bands like the screamers the weirdos and the germs heralded the
we got the neutron bomb the untold story of l a punk - Feb 17 2023

taking us back to late 70s and early 80s hollywood pre crack pre aids pre reagan we got the neutron bomb re creates word for word the rage intensity and anarchic glory of the los angeles punk scene straight from the mouths of the scenesters zinesters groupies filmmakers and musicians who were there california was wide open

pdf epub we got the neutron bomb the untold story of l a punk - Jul 10 2022

jun 23 2023 if you are still wondering how to get free pdf epub of book we got the neutron bomb the untold story of l a punk by marc spitz click on below buttons to start download we got the neutron bomb the untold story of l a punk by marc spitz pdf epub without registration this is free

[we got the neutron bomb the untold story of l a punk](#) - Sep 12 2022

we got the neutron bomb the untold story of l a punk by spitz marc mullen brendan isbn 10 0609807749 isbn 13 9780609807743 crown 2001 softcover

read we got the neutron bomb the untold story of l a punk - Feb 05 2022

all groups and messages

we got the neutron bomb the untold story of l a punk - Jun 09 2022

książka we got the neutron bomb the untold story of l a punk autorstwa spitz marc mullen brendan dostępna w sklepie empik com w cenie 83 89 zł przeczytaj recenzję we got the neutron bomb the untold story of l a punk zamów dostawę do dowolnego salonu i zapłać przy odbiorze

we got the neutron bomb the untold story of l a punk - Jul 22 2023

we got the neutron bomb the untold story of l a punk by spitz marc mullen brendan publication date 2001 topics popular music punk rock los angeles history california usa america united states punk rock music punk rock musicians punk culture publisher new york three rivers press collection

we got the neutron bomb the untold story of l a punk - Mar 18 2023

we got the neutron bomb the untold story of l a punk marc spitz three rivers 9780609807743 kitap

[we got the neutron bomb the untold story of l a pu book](#) - Apr 07 2022

we got the neutron bomb the untold story of l a pu friendly fire sep 18 2021 the text below is an excerpt from friendly fire it is the early morning of april 18 2002 following the mayhem of a bomb attack on a section of the princess patricia s canadian light infantry outside

we got the neutron bomb the untold story of l a punk - May 20 2023

may 5 2010 assembled from exhaustive interviews we got the neutron bomb tells the authentically gritty stories of bands like the runaways the germs x the screamers black flag and the circle

we got the neutron bomb the untold story of l a punk - Apr 19 2023

we got the neutron bomb the untold story of l a punk ebook written by marc spitz brendan mullen read this book using google play books app on your pc android ios devices download for offline reading highlight bookmark or take notes while you read we got the neutron bomb the untold story of l a punk

we got the neutron bomb the untold story of l a punk - Nov 14 2022

nov 1 2001 buy we got the neutron bomb the untold story of l a punk illustrated by marc spitz brendan mullen brendan mullen isbn 9780609807743 from amazon s book store everyday low prices and free delivery on eligible orders

we got the neutron bomb the untold story of l a punk - Jun 21 2023

nov 13 2001 assembled from exhaustive interviews we got the neutron bomb tells the authentically gritty stories of bands like the runaways the germs x the screamers black flag and the circle jerks their rise their fall and their undeniable influence on the rock n roll of today read more

we got the neutron bomb the untold story of l a punk - Dec 15 2022

nov 13 2001 taking us back to late 70s and early 80s hollywood pre crack pre aids pre reagan we got the neutron bomb re creates word for word the rage intensity and anarchic glory of the los angeles punk scene straight from the mouths of the scenesters zinesters groupies filmmakers and musicians who were there

we got the neutron bomb wikipedia - Sep 24 2023

we got the neutron bomb the untold story of la punk is an oral history of the los angeles punk scene written by marc spitz and brendan mullen it was released in 2001 by three rivers press

editions of we got the neutron bomb the untold story of l - Jan 16 2023

editions for we got the neutron bomb the untold story of l a punk 0609807749 paperback published in 2001 kindle edition 8461361369 paperback pu

we got the neutron bomb the untold story of l a punk goodreads - Aug 23 2023

dec 29 2022 taking us back to late 70s and early 80s hollywood pre crack pre aids pre reagan we got the neutron bomb re creates word for word the rage intensity and anarchic glory of the los angeles punk scene straight from the mouths of the scenesters zinesters groupies filmmakers and musicians who were there

we got the neutron bomb the untold story of l a punk - Oct 13 2022

taking us back to late 70s and early 80s hollywood pre crack pre aids pre reagan we got the neutron bomb re creates word for word the rage intensity and anarchic glory of the los angeles punk scene straight from the mouths of the scenesters zinesters groupies filmmakers and musicians who were there

seis cosas importantes que debes conocer sobre la gravedad - May 06 2022

apr 16 2016 la gravedad produce ondas que se mueven a la velocidad de la luz la relatividad general predice ondas

gravitacionales si tiene dos estrellas enanas blancas o agujeros negros encerrados en órbita mutua poco a poco se acercan en forma de ondas gravitacionales que conducen energía

gravedad concepto medición unidades y ejemplos - May 18 2023

qué es la gravedad la gravedad o fuerza de gravedad es un fenómeno de la naturaleza por el cual los cuerpos que poseen masa se atraen entre sí de manera recíproca con mayor intensidad conforme más masivos sean dichos cuerpos

esa qué es la gravedad european space agency - Sep 22 2023

nov 20 2015 sabemos que la gravedad es meramente una fuerza de atracción es decir que únicamente atrae nunca repele y que es generada por cualquier objeto con masa pero la humanidad intentó durante miles de años dar respuesta a esta pregunta

qué es la gravedad y cómo funciona como funciona que - Feb 03 2022

datos curiosos qué es la gravedad la gravedad es la fuerza que atrae dos cuerpos entre sí la fuerza que causa que las manzanas caigan al suelo y que los planetas orbiten alrededor del sol cuanta mayor masa contenga el objeto más fuerte es su fuerza gravitacional

gravedad wikiwand - Dec 13 2022

la gravedad es un fenómeno natural por el cual los objetos y campos de materia dotados de masa o energía son atraídos entre sí efecto mayormente observable en la interacción entre los planetas galaxias y demás objetos del universo es una de las cuatro interacciones fundamentales que origina la fuerza que experimenta un cuerpo físico en las cercanías de

cosas que no sabías sobre la gravedad muy interesante - Nov 12 2022

mar 6 2023 la gravedad es una de las cuatro fuerzas fundamentales de la naturaleza junto con el electromagnetismo la fuerza débil y la fuerza fuerte gobierna el movimiento de los planetas alrededor del sol mantiene unidas a las galaxias y determina la

la gravedad desde el nacimiento de la relatividad general hasta la - Sep 10 2022

mar 1 2018 la gravedad protagoniza el último libro de la colección qué sabemos de csic el csic publica el último libro de la colección qué sabemos de sobre el fenómeno de la gravedad la vanguardia contenidos

qué causa la gravedad las científicas responden el país - Jun 19 2023

sep 9 2020 según la teoría de la relatividad general la gravedad es una característica geométrica del espacio tiempo es decir los efectos gravitatorios son una consecuencia de la forma

descubre la teoría de la gravedad todo lo que necesitas saber - Mar 04 2022

la teoría de la gravedad también conocida como la ley de la gravitación universal es una de las teorías más importantes en la física y en la ciencia en general para entender la teoría de la gravedad es importante conocer a isaac newton el científico que

la formuló en el siglo xvii

what is gravity nasa space place nasa science for kids - Apr 17 2023

dec 17 2020 pero eso lo sabe todo el mundo qué significa realmente qué es la gravedad la gravedad ha tenido un papel importante en convertir al universo en lo que es la gravedad es lo que hace que se unan entre sí trozos de materia para formar planetas lunas y

gravedad national geographic - Jan 14 2023

la astronauta de la nasa christina koch sacó esta imagen de la tierra con larga exposición sobre un telón de fondo de estrellas mientras la estación espacial gravedad national geographic revista nat geo

esa space for kids qué es la gravedad - Feb 15 2023

la gravedad es lo que mantiene a la luna en órbita en torno a la tierra y lo que hace que el sol mantenga unido el conjunto de los planetas la atracción del sol y de la luna también provoca las mareas de los océanos de la tierra

qué es la gravedad medicoplus - Jul 08 2022

ciencia qué es la gravedad la gravedad es un fenómeno natural a través del cual los objetos con masa son atraídos entre sí dando lugar a una atracción gravitatoria un concepto que guarda todavía muchos secretos que exploraremos por bertran prieto microbiólogo divulgador científico y youtuber vivimos inmersos en ella

qué es la gravedad y tres preguntas incómodas que no sabemos - Oct 11 2022

may 30 2022 la gravedad es la primera de las fuerzas fundamentales de la naturaleza que empezamos a entender pero también es la única que todavía guarda muchas incógnitas en su interior miguel Ángel sabadell astrofísico y divulgador científico 30 05 2022 17 09 31 05 2022 10 00 en sol isaac newton libros edmund halley fuerza de la gravedad

qué es la gravedad y cómo se mide national geographic en - Aug 21 2023

feb 15 2023 hoy sabemos que la gravedad es lo que hace que se unan entre sí trozos de materia documenta la nasa se mide en unidades de aceleración representadas en metros por segundo al cuadrado $m s^{-2}$

lo que quizás no sabías de la gravedad bbc news mundo - Aug 09 2022

nov 30 2014 la gravedad es de lejos la más débil de las fuerzas que conocemos interacción nuclear fuerte nuclear débil electromagnética y gravitatoria no obstante nos da peso es la

la gravedad el misterio más antiguo de toda la física uam - Jun 07 2022

jun 6 2018 la gravedad el misterio más antiguo de toda la física en este artículo asistimos a una serie de experimentos mentales que sirven a José Luis Crespo para explicar sorprendentes fenómenos asociados a la ley de la gravitación universal

gravedad wikipedia la enciclopedia libre - Jul 20 2023

introducción la gravedad es una de las cuatro interacciones fundamentales observadas en la naturaleza origina los

movimientos a gran escala que se observan en el universo la órbita de la luna alrededor de la tierra las órbitas de los planetas alrededor del sol etcétera

cómo funciona la gravedad nanova - Apr 05 2022

jan 29 2022 la gravedad es la fuerza que unió los materiales del sistema solar es el elemento que mantiene a la tierra girando alrededor del sol y es el poder que nos mantiene conectados a tierra en nuestro planeta sin embargo por omnipresente que sea la gravedad durante mucho tiempo ha desafiado una definición precisa

qué es la gravedad explora univision - Mar 16 2023

la gravedad es la fuerza que te mantiene con los pies sobre la tierra y en su sentido más literal nada de figuraciones básicamente ésta es la idea que todos nos representamos

noi e gli antichi perche lo studio dei greci e de - Dec 08 2022

web noi e gli antichi perche lo studio dei greci e de arnaldo da brescia tragedia di g b n a criticism of niccolini s work and opinions by bertolozzi of luca lezioni di letteratura italiana delle memorie storiche della città di catania

noi e gli antichi perche lo studio dei greci e de - Feb 27 2022

web noi e gli antichi perche lo studio dei greci e de appendice etc by virginio soncini edited by antonio f stella de teatri antichi e moderni trattato in cui diversi punti morali appartenenti a teatro si mettono del tutto in chiaro con la qual occasione risponde al p daniele concina chi vien ora attaccato da lui

noi e gli antichi perché lo studio dei greci e dei romani giova all - Aug 16 2023

web noi e gli antichi perché lo studio dei greci e dei romani giova all intelligenza dei moderni è un libro di luciano canfora pubblicato da rizzoli nella collana bur saggi acquista su ibs a 10 00

noi e gli antichi perche lo studio dei greci e de 2022 - Sep 05 2022

web lettere ragionate con una dissertazione controposta alla illustrazione di un antico sigillo della garfagnana scritta da n n

noi e gli antichi perchè lo studio dei greci e dei romani giova all intelligenza dei moderni farfalloni de gli antichi storici notati dall abbate s l dal sig dottore o lancellotti mandati in luce

noi e gli antichi perche lo studio dei greci e de full pdf - Dec 28 2021

web ristampe fiorentine molto rettificata e accresciuta per la presente noi e gli antichi perchè lo studio dei greci e dei romani giova all intelligenza dei moderni de teatri antichi e moderni trattato in cui diversi punti morali appartenenti a

noi e gli antichi perché lo studio dei greci e dei romani giova all - Jun 14 2023

web compra noi e gli antichi perché lo studio dei greci e dei romani giova all intelligenza dei moderni spedizione gratuita su ordini idonei

noi e gli antichi perche lo studio dei greci e de - Jan 29 2022

web la sacra bibbia ossia l antico e il nuovo testamento tradotti da giovanni diodati noi e gli antichi perchè lo studio dei greci e dei romani giova all intelligenza dei moderni rivista di diritto penale e sociologia criminale del castello navale degli antichi fermi dissertazione opere raccolte dalle più antiche edizioni e da

noi e gli antichi perché lo studio dei greci e dei romani giova all - Jun 02 2022

web acquista noi e gli antichi perché lo studio dei greci e dei romani giova all intelligenza dei moderni su libreria universitaria spedizione gratuita sopra i 25 euro su libreria universitaria

noi e gli antichi perché lo studio dei greci e dei romani giova all - Oct 06 2022

web noi e gli antichi perché lo studio dei greci e dei romani giova all intelligenza dei moderni bur saggi ebook canfora luciano amazon it kindle store

noi e gli antichi perche lo studio dei greci e de - Nov 07 2022

web noi e gli antichi perche lo studio dei greci e de genus jun 24 2021 space research activity in italy mar 14 2023 fonti archivistiche per lo studio dei problemi della popolazione fino al 1848 jan 20 2021 panama jul 18 2023 buttress s world guide to abbreviations of organizations may 12 2020

noi e gli antichi perché lo studio dei greci e dei romani giova all - Mar 11 2023

web al contrario capire le differenze ci consentirà di conoscere il senso che il passato e la sua eredità hanno su di noi È questa la via seguita da luciano canfora nei saggi scritti per questo volume incentrati su alcuni temi cruciali il metodo degli storici antichi il rapporto tra storiografia e verità la visione della storia come fiume

noi e gli antichi perché lo studio dei greci e dei romani giova all - May 13 2023

web al contrario capire le differenze ci consentirà di conoscere il senso che il passato e la sua eredità hanno su di noi È questa la via seguita da luciano canfora nei saggi scritti per questo volume incentrati su alcuni temi cruciali il metodo degli storici antichi il rapporto tra storiografia e verità la visione della storia come fiume

noi e gli antichi perche lo studio dei greci e de - May 01 2022

web noi e gli antichi perchè lo studio dei greci e dei romani giova all intelligenza dei moderni canti popolari siciliani by c allegra v bondice l capuana and others raccolti e illustrati da l v catalogo cronologico di opere stampate in lingua siciliana disposto dal padre v bondice noi e gli antichi

noi e gli antichi perche lo studio dei greci e de - Jul 03 2022

web noi e gli antichi perche lo studio dei greci e de canti popolari siciliani by c allegra v bondice l capuana and others raccolti e illustrati da l 6 noi e gli antichi perche lo studio dei greci e de 2021 10 02 original and influential recent work in the field of early modern european history provides a thought provoking

noi e gli antichi perché lo studio dei greci e dei romani giova all - Aug 04 2022

