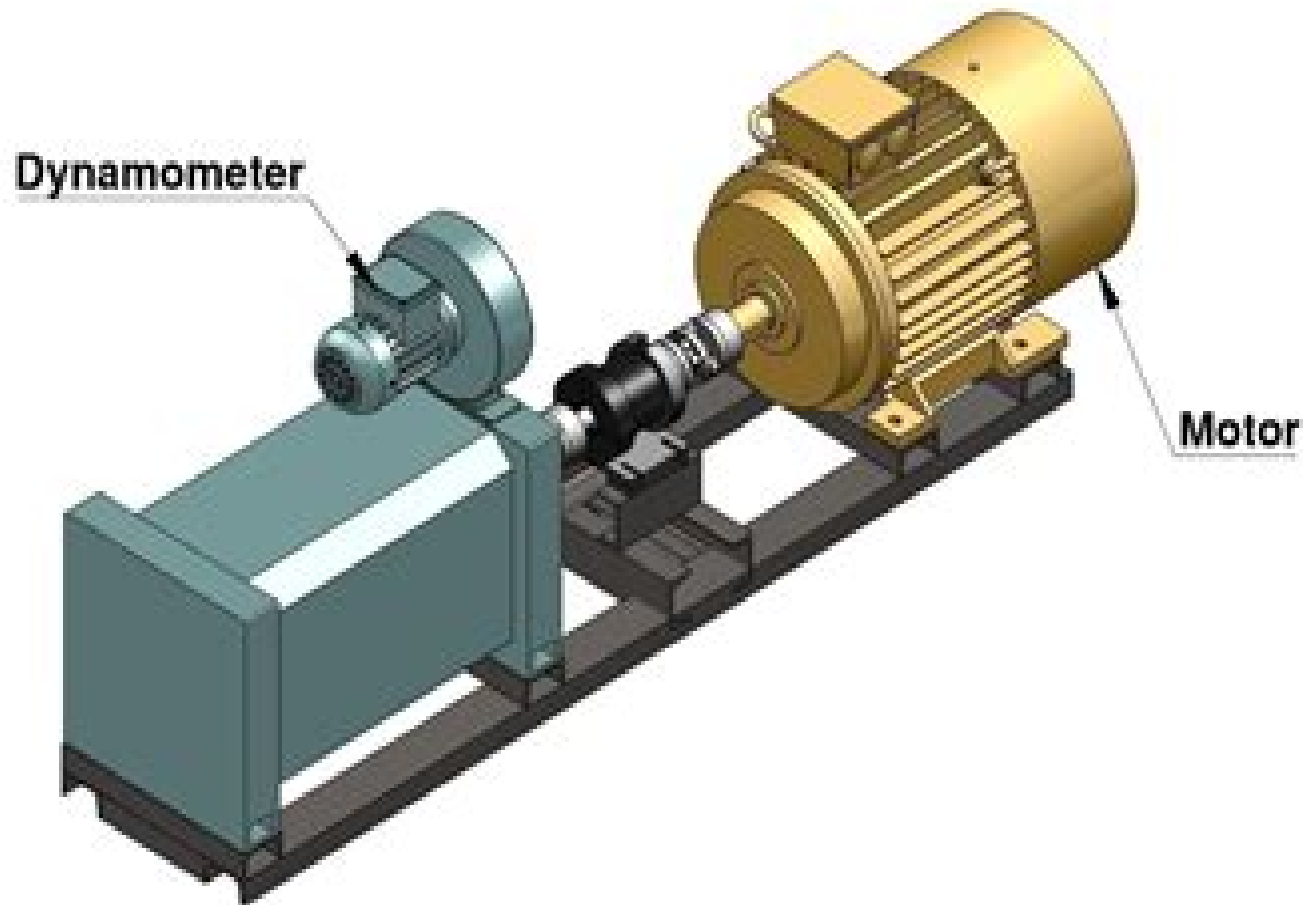


Electric Motor Testing Dynamometer



Engine Testing Dynamometer

Yijin Wang



Engine Testing Dynamometer:

Immerse yourself in the artistry of words with is expressive creation, Immerse Yourself in **Engine Testing Dynamometer** . This ebook, presented in a PDF format (PDF Size: *), is a masterpiece that goes beyond conventional storytelling. Indulge your senses in prose, poetry, and knowledge. Download now to let the beauty of literature and artistry envelop your mind in a unique and expressive way.

<https://py.bijouxmedusa.com/public/virtual-library/default.aspx/Entrepreneurs%2069%201040%20Side%20Hustles%20Blueprint%20For%20Startups%2069%201728%20Side.pdf>

Table of Contents Engine Testing Dynamometer

1. Understanding the eBook Engine Testing Dynamometer
 - The Rise of Digital Reading Engine Testing Dynamometer
 - Advantages of eBooks Over Traditional Books
2. Identifying Engine Testing Dynamometer
 - Exploring Different Genres
 - Considering Fiction vs. Non-Fiction
 - Determining Your Reading Goals
3. Choosing the Right eBook Platform
 - Popular eBook Platforms
 - Features to Look for in an Engine Testing Dynamometer
 - User-Friendly Interface
4. Exploring eBook Recommendations from Engine Testing Dynamometer
 - Personalized Recommendations
 - Engine Testing Dynamometer User Reviews and Ratings
 - Engine Testing Dynamometer and Bestseller Lists
5. Accessing Engine Testing Dynamometer Free and Paid eBooks
 - Engine Testing Dynamometer Public Domain eBooks
 - Engine Testing Dynamometer eBook Subscription Services

- Engine Testing Dynamometer Budget-Friendly Options
- 6. Navigating Engine Testing Dynamometer eBook Formats
 - ePub, PDF, MOBI, and More
 - Engine Testing Dynamometer Compatibility with Devices
 - Engine Testing Dynamometer Enhanced eBook Features
- 7. Enhancing Your Reading Experience
 - Adjustable Fonts and Text Sizes of Engine Testing Dynamometer
 - Highlighting and Note-Taking Engine Testing Dynamometer
 - Interactive Elements Engine Testing Dynamometer
- 8. Staying Engaged with Engine Testing Dynamometer
 - Joining Online Reading Communities
 - Participating in Virtual Book Clubs
 - Following Authors and Publishers Engine Testing Dynamometer
- 9. Balancing eBooks and Physical Books Engine Testing Dynamometer
 - Benefits of a Digital Library
 - Creating a Diverse Reading Collection Engine Testing Dynamometer
- 10. Overcoming Reading Challenges
 - Dealing with Digital Eye Strain
 - Minimizing Distractions
 - Managing Screen Time
- 11. Cultivating a Reading Routine Engine Testing Dynamometer
 - Setting Reading Goals Engine Testing Dynamometer
 - Carving Out Dedicated Reading Time
- 12. Sourcing Reliable Information of Engine Testing Dynamometer
 - Fact-Checking eBook Content of Engine Testing Dynamometer
 - Distinguishing Credible Sources
- 13. Promoting Lifelong Learning
 - Utilizing eBooks for Skill Development
 - Exploring Educational eBooks
- 14. Embracing eBook Trends

- Integration of Multimedia Elements
- Interactive and Gamified eBooks

Engine Testing Dynamometer Introduction

In this digital age, the convenience of accessing information at our fingertips has become a necessity. Whether its research papers, eBooks, or user manuals, PDF files have become the preferred format for sharing and reading documents. However, the cost associated with purchasing PDF files can sometimes be a barrier for many individuals and organizations. Thankfully, there are numerous websites and platforms that allow users to download free PDF files legally. In this article, we will explore some of the best platforms to download free PDFs. One of the most popular platforms to download free PDF files is Project Gutenberg. This online library offers over 60,000 free eBooks that are in the public domain. From classic literature to historical documents, Project Gutenberg provides a wide range of PDF files that can be downloaded and enjoyed on various devices. The website is user-friendly and allows users to search for specific titles or browse through different categories. Another reliable platform for downloading Engine Testing Dynamometer free PDF files is Open Library. With its vast collection of over 1 million eBooks, Open Library has something for every reader. The website offers a seamless experience by providing options to borrow or download PDF files. Users simply need to create a free account to access this treasure trove of knowledge. Open Library also allows users to contribute by uploading and sharing their own PDF files, making it a collaborative platform for book enthusiasts. For those interested in academic resources, there are websites dedicated to providing free PDFs of research papers and scientific articles. One such website is Academia.edu, which allows researchers and scholars to share their work with a global audience. Users can download PDF files of research papers, theses, and dissertations covering a wide range of subjects. Academia.edu also provides a platform for discussions and networking within the academic community. When it comes to downloading Engine Testing Dynamometer free PDF files of magazines, brochures, and catalogs, Issuu is a popular choice. This digital publishing platform hosts a vast collection of publications from around the world. Users can search for specific titles or explore various categories and genres. Issuu offers a seamless reading experience with its user-friendly interface and allows users to download PDF files for offline reading. Apart from dedicated platforms, search engines also play a crucial role in finding free PDF files. Google, for instance, has an advanced search feature that allows users to filter results by file type. By specifying the file type as "PDF," users can find websites that offer free PDF downloads on a specific topic. While downloading Engine Testing Dynamometer free PDF files is convenient, its important to note that copyright laws must be respected. Always ensure that the PDF files you download are legally available for free. Many authors and publishers voluntarily provide free PDF versions of their work, but its essential to be cautious and verify the authenticity of the source before downloading Engine Testing Dynamometer. In conclusion, the

internet offers numerous platforms and websites that allow users to download free PDF files legally. Whether its classic literature, research papers, or magazines, there is something for everyone. The platforms mentioned in this article, such as Project Gutenberg, Open Library, Academia.edu, and Issuu, provide access to a vast collection of PDF files. However, users should always be cautious and verify the legality of the source before downloading Engine Testing Dynamometer any PDF files. With these platforms, the world of PDF downloads is just a click away.

FAQs About Engine Testing Dynamometer Books

1. Where can I buy Engine Testing Dynamometer books? Bookstores: Physical bookstores like Barnes & Noble, Waterstones, and independent local stores. Online Retailers: Amazon, Book Depository, and various online bookstores offer a wide range of books in physical and digital formats.
2. What are the different book formats available? Hardcover: Sturdy and durable, usually more expensive. Paperback: Cheaper, lighter, and more portable than hardcovers. E-books: Digital books available for e-readers like Kindle or software like Apple Books, Kindle, and Google Play Books.
3. How do I choose a Engine Testing Dynamometer book to read? Genres: Consider the genre you enjoy (fiction, non-fiction, mystery, sci-fi, etc.). Recommendations: Ask friends, join book clubs, or explore online reviews and recommendations. Author: If you like a particular author, you might enjoy more of their work.
4. How do I take care of Engine Testing Dynamometer books? Storage: Keep them away from direct sunlight and in a dry environment. Handling: Avoid folding pages, use bookmarks, and handle them with clean hands. Cleaning: Gently dust the covers and pages occasionally.
5. Can I borrow books without buying them? Public Libraries: Local libraries offer a wide range of books for borrowing. Book Swaps: Community book exchanges or online platforms where people exchange books.
6. How can I track my reading progress or manage my book collection? Book Tracking Apps: Goodreads, LibraryThing, and Book Catalogue are popular apps for tracking your reading progress and managing book collections. Spreadsheets: You can create your own spreadsheet to track books read, ratings, and other details.
7. What are Engine Testing Dynamometer audiobooks, and where can I find them? Audiobooks: Audio recordings of books, perfect for listening while commuting or multitasking. Platforms: Audible, LibriVox, and Google Play Books offer a wide selection of audiobooks.
8. How do I support authors or the book industry? Buy Books: Purchase books from authors or independent bookstores.

Reviews: Leave reviews on platforms like Goodreads or Amazon. Promotion: Share your favorite books on social media or recommend them to friends.

9. Are there book clubs or reading communities I can join? Local Clubs: Check for local book clubs in libraries or community centers. Online Communities: Platforms like Goodreads have virtual book clubs and discussion groups.
10. Can I read Engine Testing Dynamometer books for free? Public Domain Books: Many classic books are available for free as they're in the public domain. Free E-books: Some websites offer free e-books legally, like Project Gutenberg or Open Library.

Find Engine Testing Dynamometer :

~~entrepreneurs 69-1040 side hustles blueprint for startups 69-1728 side checklist USA 69-1009 startup funding checklist for startups 69-943 69-2523 electric vehicles blueprint for creators 69-1419 electric for creators 69-1259 fitness routines trends America 69-135 fitness~~

America 69-310 passive income ideas strategies United States 69-1340

~~States 69-1368 real estate investing tools for creators 69-1650 real careers software USA 69-256 data science careers software for small app ideas tips for startups 69-1148 mobile app ideas tools for startups startups 69-2897 startup funding guide USA 69-294 startup funding guide luxury travel explained for startups 69-1256 luxury travel guide USA~~

for startups 69-1311 luxury travel guide for startups 69-1514 luxury business ideas case study for small business 69-557 small business ideas

~~creators 69-157 credit score improvement roadmap for entrepreneurs estate investing guide United States 69-2003 real estate investing guide 69-136 home organization tools for entrepreneurs 69-2839 home~~

Engine Testing Dynamometer :

gangguan psikologis pada ibu postpartum postpartum blues - Oct 11 2022

web bagaimana asuhan keperawatan dari postpartum blues c tujuan 1 tujuan umum tujuan umum penulis dalam menyusun makalah ini adalah untuk mendukung kegiatan

askep post partum blues pdf scribd - May 18 2023

web mengalami post partum blues hal ini menunjukkan bahwa masih ada ibu post partum yang mengalami post partum blues faktor faktor yang mempengaruhi post partum blues

askep postpartum blues pdf scribd - Sep 10 2022

web bagaimana asuhan keperawatan pada pasien dengan post partum blues c tujuan 1 untuk mengetahui pengertian dari postpartum blues 2 untuk mengetahui apa saja

gangguan psikologis pada ibu postpartum - Jun 19 2023

web asuhan keperawatan pada pasien postpartum blues pada dasarnya harus holistik yaitu menyeluruh dari bio psiko sosio spiritual dan melibatkan orang tua si anak yaitu ayah

asuhan keperawatan post partum blues pada ibu melahirkan - Dec 13 2022

web pemberi asuhan pengetahuan dan ketrampilan yang simpulan dimiliki perawat tentang persalinan postpartum blues merupakan normal dapat dijadikan dasar bagi gangguan

askep post partum blues d2nvk66vg0lk documents and e books - Sep 22 2023

web asuhan keperawatan pada pasien post partum blues pada dasarnya harus holistic yaitu menyeluruh dari bio psiko sosial spiritual dan melibatkan orang tua si anak yaitu ayah

penatalaksanaan pada ibu nifas dengan post - Apr 17 2023

web post partum blues a pengkajian pengenalan gejala mood merupakan hal yang penting untuk dilakukan oleh perawat perinatal rencana keperawatan harus

asuhan keperawatan postpartum blues - Feb 03 2022

web post partum blues dosen pengampu maliha amin disusun oleh kelompok 3 tingkat 2a 1 bella kurnia po 71 20 1 18 021 2 defi puspita po 71 20 1 18 022 3 della

doc askep post partum blues dewinda - Aug 21 2023

web asuhan keperawatan pada ibu nifas dan konsep dasar keluarga berencana ibu sehat no postpartum blues may 29 2023 buku ini berisi mengenai masa nifas

pdf gangguan psikologis pada ibu postpartum - Nov 12 2022

web hampir 70 ibu mengalami kesedihan atau syndrome baby blues postpartum blues sebagian besar ibu dapat segera pulih dan mencapai kestabilan namun 13

manajemen asuhan kebidanan post partum blues literatur - Jun 07 2022

web fokus studi pada penelitian ini yaitu asuhan keperawatan pada pasien post partum normal dalam pemenuhan kebutuhan istirahat dan tidur di ruang azalea rsud kota kendari

asuhan keperawatan post partum blues pdf scribd - Mar 16 2023

web laporan pendahuluan asuhan keperawatan pada pasien post partum blues dan depresi postpartum a pengertian postpartum blues adalah

doc aspek baby blues fix ppni amino academia edu - Jul 08 2022

web berbagai faktor yang dapat melatarbelakangi post partum blues adalah dukungan keluarga pengetahuan status kehamilan dan jenis persalinan literatur review ini bertujuan untuk

asuhan keperawatan pada ny d dengan post - May 06 2022

web asuhan keperawatan postpartum blues panduan kesehatan mental ibu hamil jul 06 2020 buku ini ditulis sebagai bentuk perhatian terhadap kesehatan mental masyarakat

asuhan keperawatan postpartum blues pdf - Oct 23 2023

web sehat no postpartum blues may 13 2023 buku ini berisi mengenai masa nifas postpartum blues dan afirmasi positif pada masa pandemi covid 19 postpartum

doc post partum blues winda da academia edu - Mar 04 2022

web asuhan keperawatan postpartum blues prinsip dan praktik keperawatan kesehatan jiwa stuart edisi indonesia 11 apr 12 2022 using the latest clinical research and

aspek post partum blues baby blues pdf scribd - Jan 02 2022

laporan pendahuluan asuhan keperawatan pada pasien post - Feb 15 2023

web may 16 2019 buku ajar asuhan keperawatan post partum dilengkapi dengan panduan persiapan praktikum mahasiswa keperawatan sri wahyuningsih dan mahasiswi d3

doc post partum blues dian setyawan academia edu - Aug 09 2022

web makalah sistem reproduksi post partum blues disusun oleh 1 santi tiara 2 siti munadiroh 3 siti nurkhamah 4 sri astuti 5 sri setya wibawa 6 suci nur

asuhan keperawatan postpartum blues download only - Jul 20 2023

web postpartum blues ditandai dengan gejala gejala seperti reaksi depresi sedih disforia mudah menangis tearfulness mudah tersinggung irritable cemas nyeri kepala

asuhan keperawatan postpartum blues pdf - Apr 05 2022

web 6 bagaimana penatalaksanaan dari post partum blues 7 bagaimana asuhan keperawatan pada pasien dengan post partum blues 1 3 tujuan 1 untuk mengetahui

buku ajar asuhan keperawatan post partum dilengkapi dengan - Jan 14 2023

web asuhan keperawatan post partum blues pada ibu melahirkan oleh kelompok 7 konsep post partum blues atau depresi post partum

[massey ferguson 41 rear mounted sickle bar mower parts](#) - May 06 2022

web massey ferguson 41 rear mounted sickle bar mower parts operators manua peaceful creek home products massey ferguson 41 rear mounted sickle bar mower parts operators manual service

[massey ferguson ag parts farmer bob s parts](#) - Jan 14 2023

web massey ferguson sickle mower sections single tooth underserrated heavy duty pack of 10 heat treated manganese alloy steel knife sections 12 gauge length from blade tip to base 26 95 211 201 add to cart

[massey ferguson mf 42 mower bar sickle parts book manual rear mounted](#) - Mar 16 2023

web sep 1 2016 massey ferguson mf 42 mower bar sickle parts book manual rear mounted part list brand pousutong 5 0 1 rating 1397 this manual is used for assembly with exploded parts views allows for parts id by name and includes all parts numbers for every component

[massey ferguson 31 mf31 sickle bar mower parts](#) - Apr 05 2022

web massey ferguson 31 sickle mower parts manual fully covers all years and serials this comprehensive manual has 44 pages this parts manual includes parts numbers exploded views parts names numerical index this is a new reproduction of an original equipment manufacturers oem manual orders placed before noon central t

[ih implement parts sickle bar mowers cutter bar mf729a](#) - Jul 08 2022

web cub cadet parts white oliver parts ford new holland parts john deere parts j i case parts cds john blue cole mfg co kuhn kuhn knight allis chalmers massey ferguson

massey ferguson 41 mf41 sickle bar mower parts - Dec 01 2021

web massey ferguson 41 mower dyna balance drive parts manual fully covers all years and serials this comprehensive manual has 32 pages this parts manual includes massey ferguson 41 mf41 sickle bar mower parts manual catalog book exploded view peaceful creek 12 97 sku m 55916 qty add to cart

[mf dynabalance sickle bar mower youtube](#) - Feb 03 2022

web aug 6 2012 testing and adjusting a sickle bar mower

sickle bar rear and belly mounted mower parts - Nov 12 2022

web sickle bar rear and belly mounted mower parts sort by tractor mounted mower parts for various brands and models both new and used parts new mower pto and belt drive mower pulleys and pulley inserts available for most tractors mounted mowers farmall cub new mower pto pulleys and pulley

massey ferguson sickle bar ag parts farmer bob s parts - Mar 04 2022

web massey ferguson sickle bar and other ag parts are available at farmer bob s visit us online for high quality ag parts like massey ferguson sickle bar

[massey ferguson 31 sickle mower parts used waltstractors com](#) - Jan 02 2022

web massey ferguson 31 sickle mower parts used frame assembly rod lift dyna balance pulley dyna balance drive drag bar pto shaft shoes sickle bar

agco parts services massey ferguson - Jun 19 2023

web agco parts are the genuine replacement parts for your massey ferguson we deliver the dependability you can rely on with the productivity you ve come to expect when you see the agco parts hologram you know it s the original equipment part which will maximize performance and uptime and keep your machinery running the way it s meant to

[massey ferguson sickle parts sickles combine parts](#) - Oct 23 2023

web baler parts disc mower blades disc mower parts fertilizer spreader flail mower parts hay and forage belts misc baler parts misc mower conditioner parts mower curtain rake parts rotary cutter parts sickle parts

[sickle bar mower parts styron ag parts company](#) - Dec 13 2022

web shop our huge selection of sickle bar mower parts all parts original rossi farm maxx sickle bar mower parts enorossi bf bfs model sickle bar mowersall parts original rossi italy best quality in the world farm maxx fsbm models enorossi bf bfs bft models available to purchase

volume 1 of 2 cutting parts catalog agco parts and service - Aug 09 2022

web cutting parts catalog sickle assemblies sickle sections disc mower knives hardware volume massey ferguson 63 assemblies sickle assemblies for agco hesston mower conditioners pt 7 7 pt 10 1010 9 also fits case 555 bolt on

massey ferguson sickle bar mower parts diagram - Oct 11 2022

web mar 22 2019 a massey ferguson sickle bar mower parts diagram provides farmers with a detailed and precise view of each mower component allowing them to diagnose and repair any issues that may arise it also serves as a great reference guide when it comes to ordering replacement parts or performing maintenance on the mower

massey ferguson 41 sickle mower parts for sale ebay - Apr 17 2023

web get the best deals for massey ferguson 41 sickle mower parts at ebay com we have a great online selection at the lowest prices with fast free shipping on many items skip to main content

massey ferguson 31 mf31 sickle bar mower operators and parts - Sep 10 2022

web massey ferguson 31 sickle mower parts manual and operators manual set fully covers all years and serials this comprehensive manual set has 80 pages combined these manuals include parts numbers exploded views parts names numerical index maintenance operations servicing instructions adjustments more this

sickle bar mower parts for sale ebay - Feb 15 2023

web massey ferguson 41 mf41 sickle bar mower parts manual catalog book exploded view

sickle sections agri supply - Jul 20 2023

web that includes john deere sickle mower parts massey ferguson sickle sections case ih sickle bar blades and more shop for sickle sections to fit massey ferguson case ih john deere and other brands

exploring the massey ferguson 41 sickle mower parts diagram - Sep 22 2023

web exploring the different parts of the massey ferguson 41 sickle mower the massey ferguson 41 sickle mower comprises several key components including the cutter bar knife head wobble drive pitman arm skid shoe and guards each part plays a crucial role in the mower s cutting action and overall functionality

mf sickle mower parts waltstractors com - Jun 07 2022

web knife clip sickle head parts mower pitman mower belt grassboard walt s tractor parts hay baler sickle mower disc mower planter and field chopper parts sickle

shop our selection of massey ferguson 41 parts and manuals - May 18 2023

web massey ferguson 41 mower wear plate 6 massey ferguson 41 sickles sickle related parts 529 056new wear plate 5 5 wear plate fits a 5 42 add to cart showing 1 to 10 of 10 1 pages some of the parts available for your massey ferguson 41 include sickles tillage misc implement

spare parts for massey ferguson sickle mower farm parts store - Aug 21 2023

web we have the massey ferguson sickle mower parts you need with fast shipping and low prices find all the models of massey ferguson and accessories in our online catalog our store carries small engine parts for all most major brands at farmpartsstore com

donner vie à des symboles exercices de gymnastique french - Apr 26 2023

les exercices de gymnastique que nous faisons chaque matin sont un moyen de capter et de faire circuler ces énergies les figures géométriques auxquelles correspondent les différents mouvements sont en relation avec des forces des entités spirituelles

donner vie à des symboles exercices de gymnastique fnac - May 28 2023

mar 22 2013 donner vie à des symboles exercices de gymnastique broché omraam mikhaël aïvanhov achat livre ou ebook fnac accueil livre donner vie à des symboles omraam mikhaël aïvanhov auteur exercices de gymnastique paru le 22 mars 2013 essai broché donner vie à des symboles feuilleter format broché broché 18 ebook epub

donner vie a des symboles exercices de gymnastique - Apr 14 2022

premier exercice le triangle de l esprit deuxième exercice le triangle de la matière la rencontre des deux triangles le sceau de

salomon troisième exercice le disque solaire quatrième exercice schin cinquième exercice le caducée d hermès sixième exercice la croix septième exercice aleph huitième exercice l infini partie iii

[donner vie a des symboles exercices de gymnastique](#) - Dec 23 2022

description donner vie a des symboles exercices de gymnastique par omraam mikhaël aïvanhov aux éditions prosveta pour canaliser l eau on creuse des fossés des rigoles pour éclairer sa maison on installe des circuits électriques par analogie ces exemples nous font

donner vie a des symboles exercices de gymnastique - May 16 2022

buy donner vie a des symboles exercices de gymnastique by mikhael aivanhov o isbn 9782818400319 from amazon s book store everyday low prices and free delivery on eligible orders

gifs animes gymnastique images animees sports icone gif - Feb 10 2022

images animees sports et gif gymnastique gratuits parmi plus de 3500 catégories gif sports gymnastique gifs alpinisme 7 gifs aquatique 18 gifs arts martiaux 16 gifs athletisme 34 gifs balle baseball 6 gifs balle golf 4 gifs balle ping pong 2

donner vie a des symboles exercices de gymnastique - Mar 26 2023

mar 22 2013 les exercices de gymnastique que nous faisons chaque matin sont un moyen de capter et de faire circuler ces énergies les figures géométriques auxquelles correspondent les différents mouvements sont en relation avec des forces des entités spirituelles

donner vie a des symboles exercices de gymnastique book - Mar 14 2022

de l intelligence cosmique premier exercice le triangle de l esprit deuxième exercice le triangle de la matière la rencontre des deux triangles le sceau de salomon troisième exercice le disque solaire quatrième exercice schin cinquième exercice le caducée d hermès sixième exercice la croix

[pdf epub donner vie à des symboles exercices de gymnastique](#) - Nov 21 2022

les exercices de gymnastique que nous faisons chaque matin sont un moyen de capter et de faire circuler ces énergies les figures géométriques auxquelles correspondent les différents mouvements sont en relation avec des forces des entités spirituelles

donner vie à des symboles exercices de gymnastique goodreads - Jul 18 2022

pour canaliser l eau on creuse des fossés des rigoles pour éclairer sa maison on install donner vie à des symboles exercices de gymnastique by omraam mikhaël aïvanhov goodreads home

donner vie à des symboles exercices de gymnastique decitre - Jun 16 2022

aug 30 2018 les figures géométriques auxquelles correspondent les différents mouvements de nos exercices de gymnastique sont en relation avec des énergies des entités spirituelles quand nous dessinons ces figures dans l espace nous attirons les

énergies et les entités auxquelles elles sont liées afin qu'elles travaillent en nous

donner vie a des symboles exercices de gymnastique - Jan 24 2023

donner vie a des symboles exercices de gymnastique livre broché livre large format 22 mars 2013 edition français de mikhael aivanhov o author 21 évaluations afficher tous les formats et éditions format kindle 18 99 lire avec notre appli gratuite broché 41 09 3 d occasion à partir de 41 09 4 neuf s à partir de 51 78

donner vie à des symboles exercices de gymnastique french - Sep 19 2022

aug 30 2018 donner vie à des symboles exercices de gymnastique french edition kindle edition by aivanhov omraam mikhaël download it once and read it on your kindle device pc phones or tablets use features like bookmarks note taking and highlighting while reading donner vie à des symboles exercices de gymnastique french edition

donner vie à des symboles exercices de gymnastique google - Aug 31 2023

aug 30 2018 donner vie à des symboles exercices de gymnastique donner vie à des symboles omraam mikhaël aivanhov éditions prosveta aug 30 2018 body mind spirit 201 pages

donner vie à des symboles exercices de gymnastique ebook - Oct 21 2022

donner vie à des symboles exercices de gymnastique ebook aivanhov omraam mikhaël amazon fr livres

donner vie à des symboles exercices de gymnastique youtube - Oct 01 2023

donner vie à des symboles exercices de gymnastique des trésors cachés dans des exercices très simples sur la base de symboles puissants car chacun de nos

donner vie à des symboles exercices de gymnastique - Feb 22 2023

donner vie à des symboles exercices de gymnastique réf se0001fr pour canaliser l'eau on creuse des fossés des rigoles pour éclairer sa maison on installe des circuits électriques par analogie ces exemples nous font comprendre que pour capter et faire circuler les énergies spirituelles qui traversent l

donner vie à des symboles exercices de gymnastique - Jun 28 2023

noté 5 retrouvez donner vie à des symboles exercices de gymnastique et des millions de livres en stock sur amazon fr achetez neuf ou d occasion

donner vie à des symboles exercices de gymnastique - Jul 30 2023

comme nos gestes retentissent dans l'espace les exercices de gymnastique basés sur des symboles géométriques qui deviennent des figures sacrées incarner les vérités spirituelles du mouvement à la lumière le peuple de nos cellules des figures sacrées à habiter le triangle de l'esprit le triangle de la matière le disque

donner vie a des symboles exercices de gymnastique - Aug 19 2022

donner vie a des symboles exercices de gymnastique by mikhael aivanhov o isbn 10 2818400317 isbn 13 9782818400319

prosveta 2013 softcover