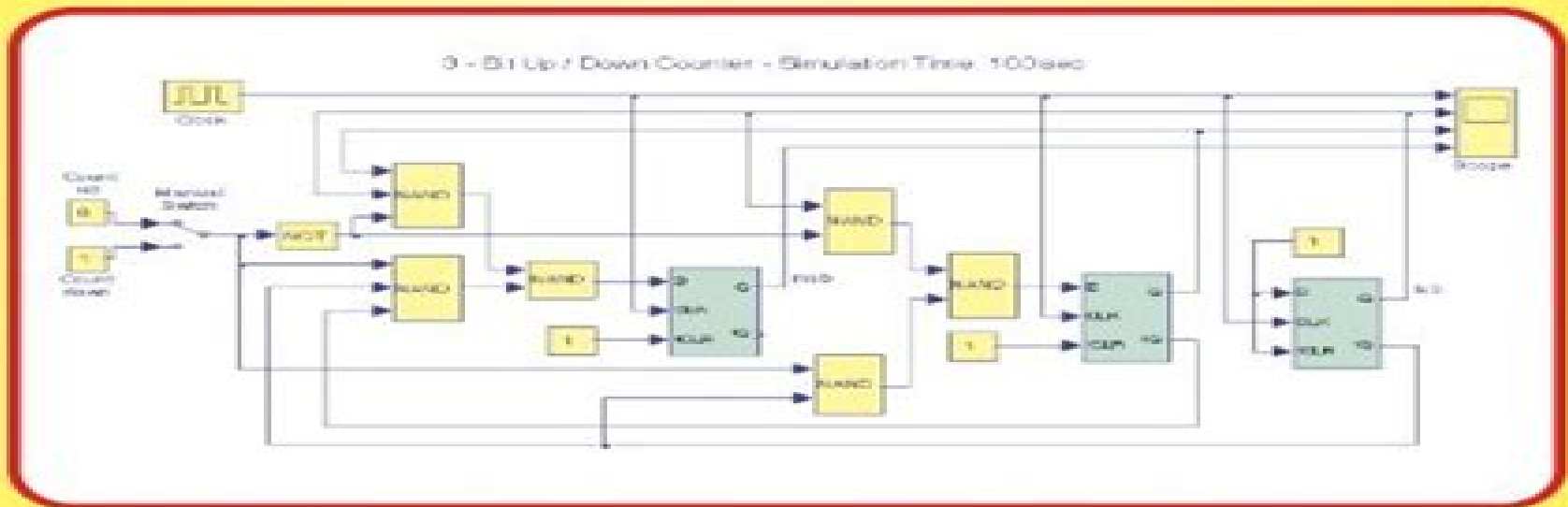


Digital Circuit Analysis and Design with Simulink® Modeling and Introduction to CPLDs and FPGAs

Second Edition

Steven T. Karris



Orchard Publications
www.orchardpublications.com

Circuit Analysis And Design Chapter 2

JS Bruner



Circuit Analysis And Design Chapter 2 :

The Analysis and Design of Linear Circuits Roland E. Thomas, Albert J. Rosa, Gregory J. Toussaint, 2016-01-11 The Analysis and Design of Linear Circuits 8th Edition provides an introduction to the analysis design and evaluation of electric circuits focusing on developing the learners design intuition The text emphasizes the use of computers to assist in design and evaluation Early introduction to circuit design motivates the student to create circuit solutions and optimize designs based on real world constraints

Introduction to Logic Design Sajjan G. Shiva, 2018-10-03 The second edition of this text provides an introduction to the analysis and design of digital circuits at a logic instead of electronics level It covers a range of topics from number system theory to asynchronous logic design A solution manual is available to instructors only Requests must be made on official school stationery

Fundamentals of Electric Circuit Analysis Clayton R. Paul, 2001 Focusing on the development of fundamental skills this new text is designed for a one semester course in the analysis of linear circuits The author meticulously covers the important topics within a sound pedagogical organization while minimizing unnecessary detail so that the student can develop a lasting and sound set of analysis skills The major topics presented include the analysis of resistive circuits including controlled sources and op amps and the analysis of circuits in the sinusoidal steady state phasor analysis Emphasized also is the analysis of circuits in the time domain in response to a disturbance switching operations and the unit step and unit impulse responses and is developed primarily using the Laplace transform A brief description of the classical method of solving the circuit differential equations is included

Introduction to Circuit Analysis and Design Michael D. Ciletti, 1988 [Electronic Circuit Analysis and Design](#) Donald A. Neamen, 2001 This junior level electronics text provides a foundation for analyzing and designing analog and digital electronic circuits Computer analysis and design are recognized as significant factors in electronics throughout the book The use of computer tools is presented carefully alongside the important hand analysis and calculations The author Don Neamen has many years experience as an engineering educator and an engineer His experience shines through each chapter of the book rich with realistic examples and practical rules of thumb The book is divided into three parts Part 1 covers semiconductor devices and basic circuit applications Part 2 covers more advanced topics in analog electronics and Part 3 considers digital electronic circuits

Introduction to Electric Circuits James A. Svoboda, Richard C. Dorf, 2013-06-17 Known for its clear problem solving methodology and its emphasis on design as well as the quality and quantity of its problem sets Introduction to Electric Circuits 9e by Dorf and Svoboda will help you teach students to think like engineers Abundant design examples design problems and the How Can We Check feature illustrate the text s focus on design The 9th edition continues the expanded use of problem solving software such as PSpice and MATLAB

Analysis and Design of Transistor Circuits Laurence G. Cowles, 1966 [Circuit analysis, simulation and design](#) Albert E. Ruehli, 1986 **RF and Microwave Power Amplifier Design** Andrei Grebennikov, 2004-09-15 This is a rigorous tutorial on radio frequency and microwave power

amplifier design teaching the circuit design techniques that form the microelectronic backbones of modern wireless communications systems Suitable for self study corporate training or Senior Graduate classroom use the book combines analytical calculations and computer aided design techniques to arm electronic engineers with every possible method to improve their designs and shorten their design time cycles

Transistor Circuit Analysis and Design John J. Corning,1965

Analysis and Design of Integrated Circuit-Antenna Modules K. C. Gupta,Peter S. Hall,2000 With communications technologies rapidly expanding the traditional separation of electronic circuits and antenna systems design is no longer feasible This book covers various design approaches applicable to integrated circuit antenna modules with the goal of placing the antenna transmitter and receiver all on a single chip It emphasizes analysis and design involving the integration of circuit functions with radiating elements and addresses trends in systems miniaturization

Introduction to Computer Methods for Microwave Circuit Analysis and Design Janusz Dobrowolski,1991 Discusses theory and design of pulsed Doppler radar and MTI with details on clutter clutter modelling and theory of optimum processing and covers topics related to the application of special Doppler signal processing techniques that provide unique features within a radar system

Computer Oriented Circuit Design Franklin F. Kuo,1969

Linear Circuit Analysis Raymond A. DeCarlo, Pen-Min Lin,1995 The combined three volumes of these texts cover traditional linear circuit analysis topics both concepts and computation including the use of available software for problem solution where necessary The text balances emphasis on concepts and calculation so students learn the basic principles and properties that govern circuits behaviour while they gain a firm understanding of how to solve computational techniques they will face in the world of professional engineers

Electric Circuits James William Nilsson,Susan A. Riedel,1996 Part of the Addison Wesley world student series this volume accompanies Using Computer Tools for Electric Circuits and is a comprehensive textbook for an introductory course in electric circuit analysis

Computer Design and Architecture Sajjan G. Shiva,1985

Digital BiCMOS Integrated Circuit Design Sherif H.K. Embabi,Abdellatif Bellaouar,Mohamed I. Elmasry,1993 Digital BiCMOS Integrated Circuit Design is the first book devoted entirely to the analysis and design of digital BiCMOS integrated circuits BiCMOS Integrated Circuit Design also reviews CMOS and CML integrated circuit design The application of BiCMOS in the design of digital subsystems e g adders multipliers RAMs and PLAs is addressed The book also introduces the reader to IC process technology CMOS bipolar and BiCMOS The modeling of both the bipolar and MOS devices are covered Many process device circuit design issues are discussed Digital BiCMOS Integrated Circuit Design can be used by engineers researchers graduate and senior undergraduate students working in the area of digital integrated circuits digital circuits and system design BiCMOS process and device modeling

Elementary Electronics D. Hywel White,1966

Introduction to Operational Amplifier Theory and Applications John V. Wait, Lawrence P. Huelsman, Granino Arthur Korn,1975 For the practicing electrical engineer

Circuit Analysis of A-C Power Systems Edith Clarke,1943

Immerse yourself in the artistry of words with is expressive creation, Immerse Yourself in **Circuit Analysis And Design Chapter 2** . This ebook, presented in a PDF format (PDF Size: *), is a masterpiece that goes beyond conventional storytelling. Indulge your senses in prose, poetry, and knowledge. Download now to let the beauty of literature and artistry envelop your mind in a unique and expressive way.

<https://py.bijouxmedusa.com/About/browse/index.jsp/The%20Lawyers%20English%20Language%20Coursebook%20Ibbib.pdf>

Table of Contents Circuit Analysis And Design Chapter 2

1. Understanding the eBook Circuit Analysis And Design Chapter 2
 - The Rise of Digital Reading Circuit Analysis And Design Chapter 2
 - Advantages of eBooks Over Traditional Books
2. Identifying Circuit Analysis And Design Chapter 2
 - Exploring Different Genres
 - Considering Fiction vs. Non-Fiction
 - Determining Your Reading Goals
3. Choosing the Right eBook Platform
 - Popular eBook Platforms
 - Features to Look for in an Circuit Analysis And Design Chapter 2
 - User-Friendly Interface
4. Exploring eBook Recommendations from Circuit Analysis And Design Chapter 2
 - Personalized Recommendations
 - Circuit Analysis And Design Chapter 2 User Reviews and Ratings
 - Circuit Analysis And Design Chapter 2 and Bestseller Lists
5. Accessing Circuit Analysis And Design Chapter 2 Free and Paid eBooks
 - Circuit Analysis And Design Chapter 2 Public Domain eBooks
 - Circuit Analysis And Design Chapter 2 eBook Subscription Services
 - Circuit Analysis And Design Chapter 2 Budget-Friendly Options

6. Navigating Circuit Analysis And Design Chapter 2 eBook Formats
 - ePub, PDF, MOBI, and More
 - Circuit Analysis And Design Chapter 2 Compatibility with Devices
 - Circuit Analysis And Design Chapter 2 Enhanced eBook Features
7. Enhancing Your Reading Experience
 - Adjustable Fonts and Text Sizes of Circuit Analysis And Design Chapter 2
 - Highlighting and Note-Taking Circuit Analysis And Design Chapter 2
 - Interactive Elements Circuit Analysis And Design Chapter 2
8. Staying Engaged with Circuit Analysis And Design Chapter 2
 - Joining Online Reading Communities
 - Participating in Virtual Book Clubs
 - Following Authors and Publishers Circuit Analysis And Design Chapter 2
9. Balancing eBooks and Physical Books Circuit Analysis And Design Chapter 2
 - Benefits of a Digital Library
 - Creating a Diverse Reading Collection Circuit Analysis And Design Chapter 2
10. Overcoming Reading Challenges
 - Dealing with Digital Eye Strain
 - Minimizing Distractions
 - Managing Screen Time
11. Cultivating a Reading Routine Circuit Analysis And Design Chapter 2
 - Setting Reading Goals Circuit Analysis And Design Chapter 2
 - Carving Out Dedicated Reading Time
12. Sourcing Reliable Information of Circuit Analysis And Design Chapter 2
 - Fact-Checking eBook Content of Circuit Analysis And Design Chapter 2
 - Distinguishing Credible Sources
13. Promoting Lifelong Learning
 - Utilizing eBooks for Skill Development
 - Exploring Educational eBooks
14. Embracing eBook Trends
 - Integration of Multimedia Elements

- Interactive and Gamified eBooks

Circuit Analysis And Design Chapter 2 Introduction

In the digital age, access to information has become easier than ever before. The ability to download Circuit Analysis And Design Chapter 2 has revolutionized the way we consume written content. Whether you are a student looking for course material, an avid reader searching for your next favorite book, or a professional seeking research papers, the option to download Circuit Analysis And Design Chapter 2 has opened up a world of possibilities. Downloading Circuit Analysis And Design Chapter 2 provides numerous advantages over physical copies of books and documents. Firstly, it is incredibly convenient. Gone are the days of carrying around heavy textbooks or bulky folders filled with papers. With the click of a button, you can gain immediate access to valuable resources on any device. This convenience allows for efficient studying, researching, and reading on the go. Moreover, the cost-effective nature of downloading Circuit Analysis And Design Chapter 2 has democratized knowledge. Traditional books and academic journals can be expensive, making it difficult for individuals with limited financial resources to access information. By offering free PDF downloads, publishers and authors are enabling a wider audience to benefit from their work. This inclusivity promotes equal opportunities for learning and personal growth. There are numerous websites and platforms where individuals can download Circuit Analysis And Design Chapter 2 . These websites range from academic databases offering research papers and journals to online libraries with an expansive collection of books from various genres. Many authors and publishers also upload their work to specific websites, granting readers access to their content without any charge. These platforms not only provide access to existing literature but also serve as an excellent platform for undiscovered authors to share their work with the world. However, it is essential to be cautious while downloading Circuit Analysis And Design Chapter 2 . Some websites may offer pirated or illegally obtained copies of copyrighted material. Engaging in such activities not only violates copyright laws but also undermines the efforts of authors, publishers, and researchers. To ensure ethical downloading, it is advisable to utilize reputable websites that prioritize the legal distribution of content. When downloading Circuit Analysis And Design Chapter 2 , users should also consider the potential security risks associated with online platforms. Malicious actors may exploit vulnerabilities in unprotected websites to distribute malware or steal personal information. To protect themselves, individuals should ensure their devices have reliable antivirus software installed and validate the legitimacy of the websites they are downloading from. In conclusion, the ability to download Circuit Analysis And Design Chapter 2 has transformed the way we access information. With the convenience, cost-effectiveness, and accessibility it offers, free PDF downloads have become a popular choice for students, researchers, and book lovers worldwide. However, it is crucial to engage in ethical downloading practices and prioritize personal security when utilizing online platforms. By doing so, individuals can make the most of the vast array of

free PDF resources available and embark on a journey of continuous learning and intellectual growth.

FAQs About Circuit Analysis And Design Chapter 2 Books

How do I know which eBook platform is the best for me? Finding the best eBook platform depends on your reading preferences and device compatibility. Research different platforms, read user reviews, and explore their features before making a choice. Are free eBooks of good quality? Yes, many reputable platforms offer high-quality free eBooks, including classics and public domain works. However, make sure to verify the source to ensure the eBook credibility. Can I read eBooks without an eReader? Absolutely! Most eBook platforms offer webbased readers or mobile apps that allow you to read eBooks on your computer, tablet, or smartphone. How do I avoid digital eye strain while reading eBooks? To prevent digital eye strain, take regular breaks, adjust the font size and background color, and ensure proper lighting while reading eBooks. What the advantage of interactive eBooks? Interactive eBooks incorporate multimedia elements, quizzes, and activities, enhancing the reader engagement and providing a more immersive learning experience. Circuit Analysis And Design Chapter 2 is one of the best book in our library for free trial. We provide copy of Circuit Analysis And Design Chapter 2 in digital format, so the resources that you find are reliable. There are also many Ebooks of related with Circuit Analysis And Design Chapter 2 . Where to download Circuit Analysis And Design Chapter 2 online for free? Are you looking for Circuit Analysis And Design Chapter 2 PDF? This is definitely going to save you time and cash in something you should think about. If you trying to find then search around for online. Without a doubt there are numerous these available and many of them have the freedom. However without doubt you receive whatever you purchase. An alternate way to get ideas is always to check another Circuit Analysis And Design Chapter 2 . This method for see exactly what may be included and adopt these ideas to your book. This site will almost certainly help you save time and effort, money and stress. If you are looking for free books then you really should consider finding to assist you try this. Several of Circuit Analysis And Design Chapter 2 are for sale to free while some are payable. If you arent sure if the books you would like to download works with for usage along with your computer, it is possible to download free trials. The free guides make it easy for someone to free access online library for download books to your device. You can get free download on free trial for lots of books categories. Our library is the biggest of these that have literally hundreds of thousands of different products categories represented. You will also see that there are specific sites catered to different product types or categories, brands or niches related with Circuit Analysis And Design Chapter 2 . So depending on what exactly you are searching, you will be able to choose e books to suit your own need. Need to access completely for Campbell Biology Seventh Edition book? Access Ebook without any digging. And by having access to our ebook online or by storing it on your computer, you have convenient answers with Circuit Analysis And Design Chapter 2

To get started finding Circuit Analysis And Design Chapter 2 , you are right to find our website which has a comprehensive collection of books online. Our library is the biggest of these that have literally hundreds of thousands of different products represented. You will also see that there are specific sites catered to different categories or niches related with Circuit Analysis And Design Chapter 2 So depending on what exactly you are searching, you will be able to choose ebook to suit your own need. Thank you for reading Circuit Analysis And Design Chapter 2 . Maybe you have knowledge that, people have search numerous times for their favorite readings like this Circuit Analysis And Design Chapter 2 , but end up in harmful downloads. Rather than reading a good book with a cup of coffee in the afternoon, instead they juggled with some harmful bugs inside their laptop. Circuit Analysis And Design Chapter 2 is available in our book collection an online access to it is set as public so you can download it instantly. Our digital library spans in multiple locations, allowing you to get the most less latency time to download any of our books like this one. Merely said, Circuit Analysis And Design Chapter 2 is universally compatible with any devices to read.

Find Circuit Analysis And Design Chapter 2 :

the lawyers english language coursebook ibbib

the irish dadgad guitar book

the firm a novel

the map to our responsive universe where dreams really do come true boni lonnsburry

the legends of tono by kunio yanagita

the millionaire real estate agent by gary keller

the cave and light plato versus aristotle struggle for soul of western civilization arthur herman

the last testament sam bourne

the complete jessica darling series sloppy firsts second helpings charmed thirds fourth comings perfect fifths ebook megan mccafferty

the end of poverty sachs pdf

the humongous book of algebra problems

the hourglass of emotions senticnet

the meaning of life terry eagleton

the guide to documentary credits third edition revised

the guerrilla marketing handbook jay conrad levinson

Circuit Analysis And Design Chapter 2 :

the health physics solutions manual google books - Jul 03 2023

web health physics introduction to health physics 5th 2017 thomas e johnson t g mcgraw hill ny the health physics solutions manual contemporary health

the health physics solutions manual amazon com - Oct 26 2022

web of 35 240 the health physics solutions manual 9 35 9 35 a thermal neutron counter 1 cm diameter x 10 cm long is filled with bf3 gas at atmospheric pressure and

books by hps members health physics society - Mar 31 2023

web oct 16 2009 the health physics solutions manual introduction to health physics problems made easy second edition by herman cember author thomas johnson

introduction to health physics fourth edition solutions manual - Sep 24 2022

web when studying for health physics based classes or the chp exam the solutions provide guidance for almost every health physics situation the health physics solutions

text books and reference books related to health physics - May 01 2023

web the health physics solutions manual thomas e johnson amazon sg books skip to main content sg hello select your address all search amazon sg en hello sign in

amazon com customer reviews the health physics solutions - Jan 17 2022

the health physics solution manual pdf free pdf manuals - Mar 19 2022

web introduction to health physics fifth edition solutions manual get access now with get started select your edition below by 0 editions author thomas e johnson 0

the health physics solution manual 246 280 pdf gamma - Jul 23 2022

web the health physics solutions manual introduction to health physics problems made easy softcover 4 26 avg rating 53 ratings by goodreads softcover isbn 10

the health physics solutions manual introduction to health - Dec 28 2022

web introduction to health physics fourth edition solutions manual get access now with get started select your edition below by 0 editions author herman cember 0 solutions

the health physics solutions manual amazon singapore - Feb 27 2023

web jun 1 1999 the health physics solutions manual introduction to health physics problems made easy paperback june 1 1999 by herman cember author thomas

the health physics solutions manual pastime - Sep 05 2023

web the health physics solutions manual introduction to health physics herman cember google books the health physics solutions manual introduction to health

404 **health sbmu ac ir** - Feb 15 2022

introduction to health physics fifth edition solutions manual - Dec 16 2021

the health physics solutions manual introduction to health - Jan 29 2023

web mar 21 1999 the health physics solutions manual 1st edition by herman cember author thomas e johnson author 10 ratings see all formats and editions

the health physics solution manual academia edu - Oct 06 2023

web jul 29 2018 the health physics solutions manual 3rd edition contains the solution to all 477 homework problems in introduction to health physics 5th edition with

the health physics solutions manual google books - Jun 02 2023

web the health physics solutions manual 2nd edition authors herman cember and thomas e johnson description this text provides detailed solutions to all of the homework

the health physics solutions manual paperback 30 july 2018 - Jun 21 2022

web description download the health physics solution manual pdf for free

introduction to health physics 5th edition textbook solutions - May 21 2022

web **health physics solutions manual** **introduction to health physics** **5th edition** **textbook solutions**

the health physics solutions manual by herman cember - Aug 24 2022

web isbn 9780071835275 view more textbook editions solutions for introduction to health physics view samples chapter section problem 2 1p two blocks of mass 0 1 kg and

health physics solutions manual 2nd edition - Nov 26 2022

web oct 16 2009 the health physics solutions manual herman cember thomas e johnson 4 26 53 ratings 7 reviews the book has had very little use there are very

the health physics solutions manual introduction to health - Apr 19 2022

web the health physics solutions manual is a must have for anyone studying health physics and anyone considered a health physicist especially those attempting abhp

the health physics solutions manual amazon com - Aug 04 2023

web the health physics solutions manual introduction to health physics problems herman cember thomas e johnson google books

[welcome to the desert of the real five essays on september 11](#) - May 14 2023

web welcome to the desert of the real five essays on september 11 and related dates zizek slavoj amazon sg books

welcome to the desert of the real five essays on september 11 - Aug 05 2022

web abebooks com welcome to the desert of the real five essays on september 11 and related dates radical thinkers

9781781680193 by zizek slavoj and a great selection of similar new used and collectible books available now at great prices

[pdf epub welcome to the desert of the real five essays on](#) - Apr 01 2022

web dec 2 2022 full book name welcome to the desert of the real five essays on september 11 and related dates author

name slavoj zizek cultural cultural studies culture essays history nonfiction philosophy politics psychoanalysis psychology

sociology theory writing isbn 9781859844212 date of publication

the story of the desert moral stories short stories animal - Jan 30 2022

web a moral story the storyof the desert let us enjoy reading this story of the story of the desert when god first created the

world there was no desert the whole world was filled with fertile lands full of beautiful gardens god created man in order to

maintain the world he said to man every time you commit a sin there will be a peck of

welcome to the desert of the real five by zizek slavoj - Oct 07 2022

web oct 17 2002 welcome to the desert of the real five essays on september 11 and related dates paperback october 17

2002 by slavoj zizek author 4 2 4 2 out of 5 stars 21 ratings

[welcome to the desert of the real five essays on september 11](#) - Jun 03 2022

web welcome to the desert of the real five essays on september 11 and related dates zizek slavoj 9781781680193 books

amazon ca books

welcome to the desert of the real five essays on september 11 - Jul 04 2022

web jan 16 2013 welcome to the desert of the real five essays on september 11 and related dates by slavoj zizek write a

review paperback 24 95 paperback 24 95 ebook 9 99 view all available formats editions ship this item qualifies for free

shipping choose expedited shipping at checkout for delivery by thursday november 2 instant

welcome to the desert of the real five essays on september 11 - Feb 11 2023

web in such moments of apparently clear choices the real alternatives are most hidden welcome to the desert of the real

steps back complicating the choices imposed on us it proposes that global capitalism is fundamentalist and that america was

complicit in the rise of muslim fundamentalism

welcome to the desert of the real wikipedia - Oct 19 2023

web welcome to the desert of the real is a 2002 book by slavoj Žižek a marxist and lacanian analysis of the ideological and political responses to the terrorist attacks on september 11 2001 zizek s study incorporates various psychoanalytic postmodernist biopolitical and christian universalist influences into a marxist

[jean baudrillard paul slavoj zizek rebels library org](#) - Aug 17 2023

web welcome to the desert of the real five essays on september 11 and related dates slavoj zizek verso london new york to pamela pascoe and eric santner without any welcome to the desert of the real 7 present to cuba and used there for public transport 4 thus we have the paradox that in the frantic

welcome to the desert of the real five essays on 11 september - Jul 16 2023

web welcome to the desert of the real five essays on 11 september and related dates by Žižek slavoj

welcome to the desert of the real five essays on september 11 - Jan 10 2023

web welcome to the desert of the real five essays on september 11 and related dates paperback 17 oct 2002 by slavoj zizek author 4 2 20 ratings see all formats and editions paperback 4 83 12 used from 2 04 liberals and conservatives proclaim the end of the american holiday from history now the easy games are over one should take sides

[welcome to the desert of the real five essays on september 11](#) - Sep 06 2022

web liberals and conservatives proclaim the end of the american holiday from history now the easy games are over one should take sides Žižek argues this is precisely the temptation to be resisted in such moments of apparently clear choices the

welcome to the desert of the real slavoj Žižek google books - Mar 12 2023

web welcome to the desert of the real slavoj Žižek wooster press 2001 civilization modern 58 pages other editions view all

welcome to the desert of the real five essays on september 11 and related slavoj zizek slavoj Žižek limited preview 2002

welcome to the desert of the real

welcome to the desert of the real five essays on september 11 - Apr 13 2023

web buy welcome to the desert of the real five essays on september 11 and related dates radical thinkers 2nd revised edition by Žižek isbn 9781781680193 from amazon s book store everyday low prices and free delivery on eligible orders

welcome to the desert of the real five essays on septe - Sep 18 2023

web welcome to the desert of the real five essays on september 11 and related dates slavoj Žižek 3 88 2 129 ratings128 reviews liberals and conservatives proclaim the end of the american holiday from history now the easy games are over one should take sides Žižek argues this is precisely the temptation to be resisted

[welcome to the desert of the real five essays on september 11](#) - Dec 09 2022

web jan 16 2013 welcome to the desert of the real steps back complicating the choices imposed on us it proposes that global capitalism is fundamentalist and that america was complicit in the rise of muslim fundamentalism

[welcome to the desert of the real quotes goodreads](#) - May 02 2022

web welcome to the desert of the real five essays on september 11 and related dates by slavoj Žižek 2 128 ratings 3 88 average rating 128 reviews welcome to the desert of the real quotes showing 1 6 of 6 we feel free because we lack the very language to articulate our unfreedom

welcome to the desert of the real google books - Feb 28 2022

web sep 24 2014 in such moments of apparently clear choices the real alternatives are most hidden welcome to the desert of the real steps back complicating the choices imposed on us it proposes that global

editions of welcome to the desert of the real five essays - Nov 08 2022

web editions for welcome to the desert of the real five essays on september 11 and related dates 1859844219 paperback published in 2002 paperback publi

[welcome to the desert of the real five essays on september 11](#) - Jun 15 2023

web sep 11 2001 welcome to the desert of the real five essays on september 11 and related dates s Žižek published 2002 political science on september 11 the usa was given the opportunity to realize what kind of a world it was a part of

compute output error and weights using block lms adaptive algorithm - Oct 09 2023

web description the dsp blocklmsfilter system object computes output error and weights using the block lms adaptive algorithm to compute the output error and weights create the dsp blocklmsfilter object and set its properties call the object with arguments as if it were a function

[compute output error and weights using lms adaptive algorithm](#) - Mar 22 2022

web the fast block lms filter block implements the convolution operation involved in the calculations of the filtered output y and the weight update function in the frequency domain using the fft algorithm used in the overlap save fft filter block

lms algorithm demo file exchange matlab central - May 04 2023

web mar 31 2016 lms least mean square is one of adaptive filter algorithms in this matlab file an experiment is made to identify a linear noisy system with the help of lms algorithm the weights of the estimated system is nearly identical with the real one a reference is used to write the algorithm

lecture 14 block lms algorithm youtube - Aug 27 2022

web jan 10 2009 lecture series on adaptive signal processing by prof m chakraborty department of e and ece iit kharagpur for more details on nptel visit nptel iitm

implementation of block lms signal processing stack exchange - Dec 31 2022

web in the non block version of the lms algorithm for a single set of input samples i e for each vector u you have only one error value this one error value is used to compute the gradient vector that is in turn used to update the filter coefficients

then you shift u by one sample and repeat the process

compute output error and weights using lms adaptive algorithm - Feb 18 2022

web you can either specify a step size using the input port step size or enter a value in the block parameters block lms filter dialog box use the leakage factor 0 to 1 parameter to specify the leakage factor $0 < \mu < 1$ in the leaky lms algorithm shown below

noise cancellation using sign data lms algorithm - Apr 03 2023

web noise cancellation using sign data lms algorithm open live script when the amount of computation required to derive an adaptive filter drives your development process the sign data variant of the lms sd lms algorithm might be a very good choice as demonstrated in this example

how can we find or display mean square error of block lms algorithm - May 24 2022

web feb 19 2015 `blocklms` call `e = w - blocklms(mu, m, u, d)` input arguments μ step size dim 1x1 m filter length dim 1x1 u input signal dim nx1 d desired signal dim nx1 output arguments e estimation error dim nx1 w final filter coefficients dim mx1 the length n is adjusted such that $n \geq m$ is

matlab lms algorithm for modeling step size ambiguity signal - Jun 24 2022

web jun 30 2017 here is an example my code of the lms algorithm in matlab function prediction error weights lms algorithm regressive sequence step size number of taps this script file implements the least mean squares lms adaptive

matlab code using block lms algorithm pdf dna viz tpq - Oct 29 2022

web oct 29 2023 matlab code using block lms algorithm 1 omb no 7920633097468 matlab code using block lms algorithm numerical and analytical methods with matlab optical communication over plastic optical fibers digital filters and signal processing in electronic engineering genomic sequence analysis for exon prediction

compute output error and weights using lms adaptive algorithm - Sep 08 2023

web you can either specify a step size using the input port step size or enter a value in the block parameters block lms filter dialog box use the leakage factor 0 to 1 parameter to specify the leakage factor $0 < \mu < 1$ in the leaky lms algorithm shown below

adaptive lms algorithm matlab signal processing stack exchange - Nov 29 2022

web viewed 858 times 2 i m having some trouble implementing my lms adaptive filter in matlab to separate wideband and narrowband signals from a voice signal i m using a delayed version of my input as a reference as well as the error term step 0 01 w zeros 1 n x delayed zeros 1 100 x delaying input for $n - 1$ length x e x n

signal enhancement using lms and nlms algorithms matlab - Mar 02 2023

web signal enhancement using lms and nlms algorithms using the least mean square lms and normalized lms algorithms

extract the desired signal from a noise corrupted signal by filtering out the noise both these algorithms are available with the dsp lmsfilter system object

signal analysis matlab model for equalizer using lms algorithm - Sep 27 2022

web dec 17 2020 the matlab code below is for equalizer using lms algorithm adaptive filter and then plotting mse mean square error vs iteration numbers channel equalization using least mean square lms algo stack exchange network

frequency domain adaptive filter mathworks - Aug 07 2023

web the frequency domain adaptive filter processes input data and the desired signal data as a block of samples using the fast block lms fblms algorithm here is the block diagram of the frequency domain adaptive filter using the fblms algorithm

least mean squares filter wikipedia - Apr 22 2022

web the normalised least mean squares filter nlms is a variant of the lms algorithm that solves this problem by normalising with the power of the input the nlms algorithm can be summarised as parameters p filter order

compute output error and weights of lms adaptive filter matlab - Jun 05 2023

web description the dsp lmsfilter system object implements an adaptive finite impulse response fir filter that converges an input signal to the desired signal using one of the following algorithms lms normalized lms sign data lms sign error lms sign sign lms for more details on each of these methods see algorithms

detailed analysis and implementation of lms algorithm using matlab - Feb 01 2023

web in the filters named adaptive filters and the filter transfer function is implemented with an algorithm called the least mean square algorithm this paper describes the detailed working of the least mean square algorithm and its simulation in matlab keywords lms algorithm adaptive filters beamforming lms algorithm wiener filter 1

compute output error and weights using lms adaptive algorithm - Jul 06 2023

web description the lms filter block can implement an adaptive fir filter by using five different algorithms the block estimates the filter weights or coefficients needed to minimize the error e_n between the output signal y_n and the desired signal d_n the output is the filtered input signal which is the estimate of the desired signal

general block lms algorithm upm - Jul 26 2022

web introduction due to their many good performance characteristics adaptive lters have been satisfactorily used for canceling unknown interferences contained in the relevant signal of a wide range of dynamic systems for many years