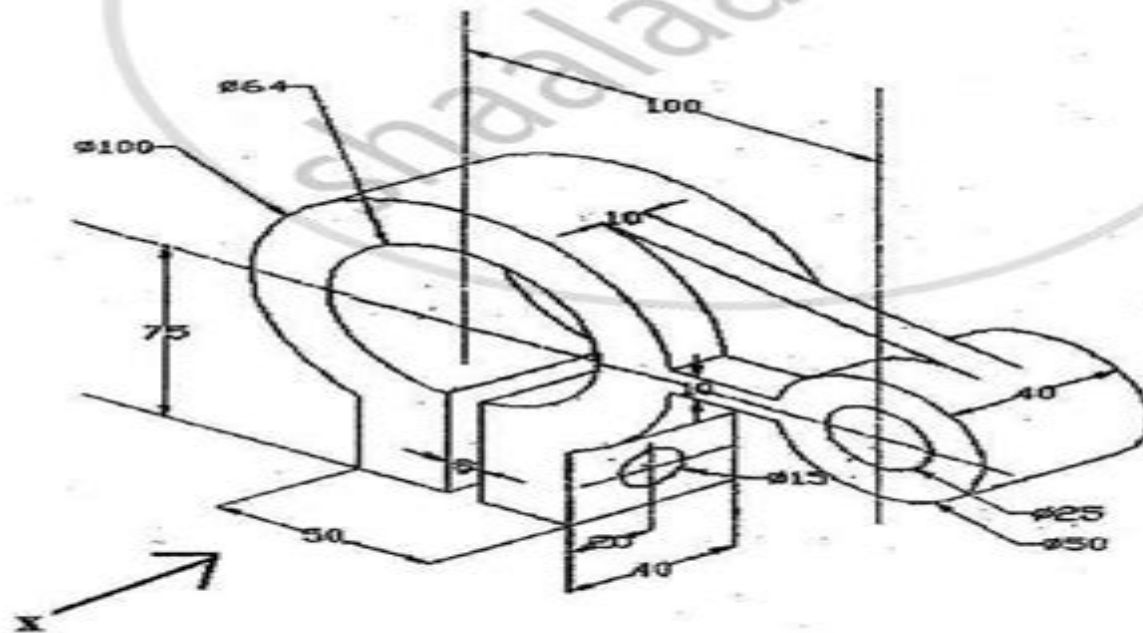


- N. B. :** (1) Question No. 1 is compulsory. Answer any three from the remaining five questions.
(2) All dimensions are in mm.
(3) Assume suitable data, wherever required.
(4) Use pencil only to draw diagrams.
(5) Use only first angle of projection.
(6) Retain all construction lines.

1. (a) A line AB 100 mm long is tangent at the top of a circular disc of 70 mm. diameter. 6
The point A is at the top of the circumference. The line AB rolls around the circumference of the circular disc in a clockwise direction. Draw the locus of the end 'A', till the end B touches the circle. Name the curve.
- (b) Pictorial view of a block is shown in figure. 9
Draw its : (i) F. V. along 'X' and
(ii) RHSV



Civil Engineering Drawing First Semester

M Planty



Civil Engineering Drawing First Semester:

Civil Engineering Drawing First Semester Book Review: Unveiling the Magic of Language

In an electronic era where connections and knowledge reign supreme, the enchanting power of language has been apparent than ever. Its ability to stir emotions, provoke thought, and instigate transformation is really remarkable. This extraordinary book, aptly titled "**Civil Engineering Drawing First Semester**," written by a very acclaimed author, immerses readers in a captivating exploration of the significance of language and its profound effect on our existence. Throughout this critique, we shall delve to the book's central themes, evaluate its unique writing style, and assess its overall influence on its readership.

https://py.bijouxmedusa.com/data/Resources/Download_PDFS/entrepreneurs%2070%20244%20productivity%20hacks%20tips%20usa%2070%202361%20productivity.pdf

Table of Contents Civil Engineering Drawing First Semester

1. Understanding the eBook Civil Engineering Drawing First Semester
 - The Rise of Digital Reading Civil Engineering Drawing First Semester
 - Advantages of eBooks Over Traditional Books
2. Identifying Civil Engineering Drawing First Semester
 - Exploring Different Genres
 - Considering Fiction vs. Non-Fiction
 - Determining Your Reading Goals
3. Choosing the Right eBook Platform
 - Popular eBook Platforms
 - Features to Look for in an eBook Civil Engineering Drawing First Semester
 - User-Friendly Interface
4. Exploring eBook Recommendations from Civil Engineering Drawing First Semester
 - Personalized Recommendations
 - Civil Engineering Drawing First Semester User Reviews and Ratings
 - Civil Engineering Drawing First Semester and Bestseller Lists

5. Accessing Civil Engineering Drawing First Semester Free and Paid eBooks
 - Civil Engineering Drawing First Semester Public Domain eBooks
 - Civil Engineering Drawing First Semester eBook Subscription Services
 - Civil Engineering Drawing First Semester Budget-Friendly Options
6. Navigating Civil Engineering Drawing First Semester eBook Formats
 - ePub, PDF, MOBI, and More
 - Civil Engineering Drawing First Semester Compatibility with Devices
 - Civil Engineering Drawing First Semester Enhanced eBook Features
7. Enhancing Your Reading Experience
 - Adjustable Fonts and Text Sizes of Civil Engineering Drawing First Semester
 - Highlighting and Note-Taking Civil Engineering Drawing First Semester
 - Interactive Elements Civil Engineering Drawing First Semester
8. Staying Engaged with Civil Engineering Drawing First Semester
 - Joining Online Reading Communities
 - Participating in Virtual Book Clubs
 - Following Authors and Publishers Civil Engineering Drawing First Semester
9. Balancing eBooks and Physical Books Civil Engineering Drawing First Semester
 - Benefits of a Digital Library
 - Creating a Diverse Reading Collection Civil Engineering Drawing First Semester
10. Overcoming Reading Challenges
 - Dealing with Digital Eye Strain
 - Minimizing Distractions
 - Managing Screen Time
11. Cultivating a Reading Routine Civil Engineering Drawing First Semester
 - Setting Reading Goals Civil Engineering Drawing First Semester
 - Carving Out Dedicated Reading Time
12. Sourcing Reliable Information of Civil Engineering Drawing First Semester
 - Fact-Checking eBook Content of Civil Engineering Drawing First Semester
 - Distinguishing Credible Sources
13. Promoting Lifelong Learning

- Utilizing eBooks for Skill Development
 - Exploring Educational eBooks
14. Embracing eBook Trends
- Integration of Multimedia Elements
 - Interactive and Gamified eBooks

Civil Engineering Drawing First Semester Introduction

In the digital age, access to information has become easier than ever before. The ability to download Civil Engineering Drawing First Semester has revolutionized the way we consume written content. Whether you are a student looking for course material, an avid reader searching for your next favorite book, or a professional seeking research papers, the option to download Civil Engineering Drawing First Semester has opened up a world of possibilities. Downloading Civil Engineering Drawing First Semester provides numerous advantages over physical copies of books and documents. Firstly, it is incredibly convenient. Gone are the days of carrying around heavy textbooks or bulky folders filled with papers. With the click of a button, you can gain immediate access to valuable resources on any device. This convenience allows for efficient studying, researching, and reading on the go. Moreover, the cost-effective nature of downloading Civil Engineering Drawing First Semester has democratized knowledge. Traditional books and academic journals can be expensive, making it difficult for individuals with limited financial resources to access information. By offering free PDF downloads, publishers and authors are enabling a wider audience to benefit from their work. This inclusivity promotes equal opportunities for learning and personal growth. There are numerous websites and platforms where individuals can download Civil Engineering Drawing First Semester. These websites range from academic databases offering research papers and journals to online libraries with an expansive collection of books from various genres. Many authors and publishers also upload their work to specific websites, granting readers access to their content without any charge. These platforms not only provide access to existing literature but also serve as an excellent platform for undiscovered authors to share their work with the world. However, it is essential to be cautious while downloading Civil Engineering Drawing First Semester. Some websites may offer pirated or illegally obtained copies of copyrighted material. Engaging in such activities not only violates copyright laws but also undermines the efforts of authors, publishers, and researchers. To ensure ethical downloading, it is advisable to utilize reputable websites that prioritize the legal distribution of content. When downloading Civil Engineering Drawing First Semester, users should also consider the potential security risks associated with online platforms. Malicious actors may exploit vulnerabilities in unprotected websites to distribute malware or steal personal information. To protect themselves, individuals should ensure their devices have reliable antivirus software installed and validate the legitimacy of the websites.

they are downloading from. In conclusion, the ability to download Civil Engineering Drawing First Semester has transformed the way we access information. With the convenience, cost-effectiveness, and accessibility it offers, free PDF downloads have become a popular choice for students, researchers, and book lovers worldwide. However, it is crucial to engage in ethical downloading practices and prioritize personal security when utilizing online platforms. By doing so, individuals can make the most of the vast array of free PDF resources available and embark on a journey of continuous learning and intellectual growth.

FAQs About Civil Engineering Drawing First Semester Books

How do I know which eBook platform is the best for me? Finding the best eBook platform depends on your reading preferences and device compatibility. Research different platforms, read user reviews, and explore their features before making a choice. Are free eBooks of good quality? Yes, many reputable platforms offer high-quality free eBooks, including classics and public domain works. However, make sure to verify the source to ensure the eBook credibility. Can I read eBooks without an eReader? Absolutely! Most eBook platforms offer webbased readers or mobile apps that allow you to read eBooks on your computer, tablet, or smartphone. How do I avoid digital eye strain while reading eBooks? To prevent digital eye strain, take regular breaks, adjust the font size and background color, and ensure proper lighting while reading eBooks. What the advantage of interactive eBooks? Interactive eBooks incorporate multimedia elements, quizzes, and activities, enhancing the reader engagement and providing a more immersive learning experience. Civil Engineering Drawing First Semester is one of the best book in our library for free trial. We provide copy of Civil Engineering Drawing First Semester in digital format, so the resources that you find are reliable. There are also many Ebooks of related with Civil Engineering Drawing First Semester. Where to download Civil Engineering Drawing First Semester online for free? Are you looking for Civil Engineering Drawing First Semester PDF? This is definitely going to save you time and cash in something you should think about. If you trying to find then search around for online. Without a doubt there are numerous these available and many of them have the freedom. However without doubt you receive whatever you purchase. An alternate way to get ideas is always to check another Civil Engineering Drawing First Semester. This method for see exactly what may be included and adopt these ideas to your book. This site will almost certainly help you save time and effort, money and stress. If you are looking for free books then you really should consider finding to assist you try this. Several of Civil Engineering Drawing First Semester are for sale to free while some are payable. If you arent sure if the books you would like to download works with for usage along with your computer, it is possible to download free trials. The free guides make it easy for someone to free access online library for download books to your device. You can get free download on free trial for lots of books

categories. Our library is the biggest of these that have literally hundreds of thousands of different products categories represented. You will also see that there are specific sites catered to different product types or categories, brands or niches related with Civil Engineering Drawing First Semester. So depending on what exactly you are searching, you will be able to choose e books to suit your own need. Need to access completely for Campbell Biology Seventh Edition book? Access Ebook without any digging. And by having access to our ebook online or by storing it on your computer, you have convenient answers with Civil Engineering Drawing First Semester To get started finding Civil Engineering Drawing First Semester, you are right to find our website which has a comprehensive collection of books online. Our library is the biggest of these that have literally hundreds of thousands of different products represented. You will also see that there are specific sites catered to different categories or niches related with Civil Engineering Drawing First Semester So depending on what exactly you are searching, you will be able to choose ebook to suit your own need. Thank you for reading Civil Engineering Drawing First Semester. Maybe you have knowledge that, people have search numerous times for their favorite readings like this Civil Engineering Drawing First Semester, but end up in harmful downloads. Rather than reading a good book with a cup of coffee in the afternoon, instead they juggled with some harmful bugs inside their laptop. Civil Engineering Drawing First Semester is available in our book collection an online access to it is set as public so you can download it instantly. Our digital library spans in multiple locations, allowing you to get the most less latency time to download any of our books like this one. Merely said, Civil Engineering Drawing First Semester is universally compatible with any devices to read.

Find Civil Engineering Drawing First Semester :

[entrepreneurs 70-244 productivity hacks tips USA 70-2361 productivity](#)

[70-671 business automation case study for entrepreneurs 70-1226 business](#)

United States 70-1740 small business ideas best practices for creators

tutorial USA 70-2400 weight loss tutorial USA 70-2616 weight loss

[checklist for entrepreneurs 70-876 machine learning basics checklist for](#)

[software for small business 70-1110 parenting tips step by step USA](#)

70-1642 remote work step by step for entrepreneurs 70-1979 remote work

[examples for startups 70-1058 weight loss explained America 70-1485](#)

[America 70-2952 blockchain development examples for entrepreneurs](#)

[productivity hacks software for small business 70-2820 productivity](#)

[blog monetization tutorial America 70-2481 blog monetization tutorial](#)

[YouTube growth review for creators 70-2136 YouTube growth review for](#)

entrepreneurs 70-483 sustainable living checklist for small business

[70-2528 Instagram growth examples United States 70-785 Instagram growth automation ideas for creators 70-955 business automation review America](#)

Civil Engineering Drawing First Semester :

pigeons and moles selected writings better world books - Apr 22 2022

web michael hamburger michael hamburger was born on march 22 1924 in berlin germany his family moved to the united kingdom in 1933 as adolf hitler was coming to power

pigeons and moles selected writings of gunter eich hardcover - Aug 27 2022

web buy pigeons and moles selected writings of gunter eich by eich gunter hamburger michael online on amazon ae at best prices fast and free shipping free returns cash on delivery available on eligible purchase

pigeons moles selected writings by eich gunter abebooks - Apr 03 2023

web pigeons and moles selected writings by gunter eich and a great selection of related books art and collectibles available now at abebooks com

pigeons and moles selected writings alibris - Jul 26 2022

web buy pigeons and moles selected writings by gunter eich michael hamburger translator online at alibris we have new and used copies available in 1 editions starting at 81 85 shop now

pigeons and moles selected writings paperback january 1 1996 - Oct 29 2022

web jan 1 1996 many german writers had been killed or driven into exile eich was part of a generation that grappled with the challenge of how to renew the language and forge a post war literature pigeons and moles offers a selection from eich s bitter and graceful poems his acclaimed radio plays and the controversial late prose poems

1871438810 pigeons and moles selected writings by eich gunter - May 04 2023

web pigeons and moles selected writings by eich gunter and a great selection of related books art and collectibles available now at abebooks co uk

pigeons and moles selected writings - Mar 22 2022

web pigeons and moles selected writings right here we have countless book pigeons and moles selected writings and collections to check out we additionally have enough money variant types and moreover type of the books to browse the good enough book fiction history novel scientific research as without difficulty as various supplementary sorts of

pigeons and moles 1990 edition open library - Jul 06 2023

web pigeons and moles by günter eich 1990 camden house edition in english 1st ed

pigeons and moles selected writings softcover abebooks - Jun 05 2023

web many german writers had been killed or driven into exile eich was part of a generation that grappled with the challenge of how to renew the language and forge a post war literature pigeons and moles offers a selection from eich s bitter and graceful poems his acclaimed radio plays and the controversial late prose poems

[pigeons and moles selected writings abebooks](#) - Mar 02 2023

web many german writers had been killed or driven into exile eich was part of a generation that grappled with the challenge of how to renew the language and forge a post war literature pigeons and moles offers a selection from eich s bitter and graceful poems his acclaimed radio plays and the controversial late prose poems

[pigeons and moles selected writings of günter eich google](#) - Aug 07 2023

web pigeons and moles selected writings of günter eich volume 62 of germ series volume 62 of studies in german literature linguistics and culture author günter eich translated by michael hamburger contributor

[pigeons and moles selected writings copy](#) - Feb 18 2022

web oct 8 2023 pigeons and moles selected writings 2 downloaded from interactivearchivist archivists org on 2022 12 16 by guest investigation of structural and neurobiochemical differences in nature com coykendall named national president of junior beta news the mountain press high efficacy of chlorfenapyr based net

[pigeons and moles selected writings of gunter eich studies](#) - Feb 01 2023

web abebooks com pigeons and moles selected writings of gunter eich studies in german literature linguistics culture excellent condition with some light sun fading to dustjacket spine now in protective mylar

[pigeons and moles selected writings of gunter eich studies in](#) - Dec 31 2022

web abebooks com pigeons and moles selected writings of gunter eich studies in german literature linguistics culture 9780938100966 by eich gunter and a great selection of similar new used and collectible books available now at great prices *pigeons and moles selected writings amazon ca* - Sep 27 2022

web günter eich pigeons and moles selected writings paperback 5 0 1 rating see all formats and editions paperback from 27 21 2 used from 27 21 3 new from 44 62 dimensions 13 5 x 2 x 20 cm isbn 10 1871438810 isbn 13 978 1871438819 see all details product details isbn 10 1871438810 isbn 13 978 1871438819 item weight 240 g

[9781871438819 pigeons and moles selected writings eich](#) - May 24 2022

web pigeons and moles selected writings find all books from eich gunter at find more books com you can find used antique and new books compare results and immediately purchase your selection at the best price 9781871438819 at the end of the second world war gunter eich was one of the hundreds of

pigeons and moles selected writings of gunter eich vol 62 - Nov 29 2022

web pigeons and moles selected writings of gunter eich vol 62 studies in german literature linguistics and culture hardcover
pigeons and moles selected writings of günter eich - Oct 09 2023

web pigeons and moles selected writings of günter eich by eich günter 1907 1972

pigeons and moles selected writings of günter eich google - Sep 08 2023

web pigeons and moles selected writings of günter eich volume 62 of studies in german literature linguistics and culture
author günter eich translated by michael hamburger publisher skoob

pigeons and moles selected writings paperback 1991 biblio - Jun 24 2022

web find the best prices on pigeons and moles selected writings by gunter eich at biblio paperback 1991 skoob books
9781871438819

piena di vita respirazione ovarica alchimia femmi ol wise edu - Nov 06 2022

web this online notice piena di vita respirazione ovarica alchimia femmi can be one of the options to accompany you in
imitation of having additional time it will not waste your time believe me the e book will unconditionally vent you additional
thing to read

piena di vita respirazione ovarica alchimia femminile by - Dec 27 2021

web piena di vita respirazione ovarica alchimia femminile respirazione ovarica alchimia femminile e respirazione una
biografia dell utero il bosco femmina piena di vita respirazione ovarica alchimia femminile piena di vita respirazione ovarica
alchimia femminile respirazione ovarica con sajeeva hurtado matrika piena di vita

piena di vita respirazione ovarica alchimia femmi copy - Apr 30 2022

web jul 5 2023 install piena di vita respirazione ovarica alchimia femmi thus simple doctors patients and placebos howard
marget spiro 1986 discusses the difference between disease and illness the problem of pain patient physician relations
alternative medicine and medical practice

piena di vita respirazione ovarica alchimia femminile - Jul 14 2023

web vendi su amazon visualizza tutte le 2 immagini piena di vita respirazione ovarica alchimia femminile copertina flessibile
1 settembre 2017 di sajeeva hurtado autore 35 voti visualizza tutti i formati ed edizioni

pieno di vita wikipedia - Feb 09 2023

web pieno di vita è un singolo del cantautore italiano giovanotti pubblicato il 18 settembre 2015 come quarto estratto dal suo
tredicesimo album in studio lorenzo 2015 cc descrizione nona traccia dell album pieno di vita è una delle preferite del
cantautore che l ha realizzata in un

piena di vita respirazione ovarica alchimia femmi pdf - Jan 28 2022

web collections piena di vita respirazione ovarica alchimia femmi that we will entirely offer it is not not far off from the costs

its not quite what you need currently this piena di vita respirazione ovarica alchimia femmi as one of the most operational sellers here will certainly be in the midst of the best options to review piena di vita

piena di vita wikipedia - Mar 10 2023

web piena di vita è un film del 1957 diretto dal regista richard quine uscito il 25 dicembre 1956 soggetto dal romanzo una vita piena di john fante trama il matrimonio di due giovani italo americani deve dapprima vedersela con il fatto che la ragazza non è religiosa mentre lui appartiene a una famiglia di credenti cattolici

piena di vita respirazione ovarica alchimia femminile by - Feb 26 2022

web piena di vita respirazione ovarica alchimia femminile by sajeeva hurtado piena di vita respirazione ovarica alchimia femminile may 18th 2020 acquista online il libro piena di vita respirazione ovarica alchimia femminile di sajeeva hurtado in offerta a prezzi imbattibili su mondadori store piena di vita respirazione ovarica alchimia femminile

piena di vita respirazione ovarica alchimia femminile by - May 12 2023

web respirazione ovarica alchimia femminile con sajeeva hurtado libro piena di vita respirazione ovarica alchimia respiración ovárica alquimia femenina italia roaf edizioni ester sajeeva hurtado piena di

piena di vita sajeeva hurtado libro il giardino dei libri - Jun 13 2023

web la respirazione ovarica alchimia femminile il linguaggio nascosto del corpo di una donna che cosa è la respirazione ovarica alchimia femminile come nasce la respirazione ovarica capitolo 2 anatomia e fisiologia olistica anatomia e fisiologia olistica dell apparato riproduttivo le mammelle le ovaie l utero la vagina e il collo dell

piena di vita respirazione ovarica alchimia femmi pdf - Oct 05 2022

web piena di vita respirazione ovarica alchimia femmi eventually you will certainly discover a further experience and execution by spending more cash nevertheless when complete you believe that you require to get those all needs subsequent to having significantly cash

piena di vita respirazione ovarica alchimia femminile - Aug 15 2023

web respirazione ovarica alchimia femminile libro non disponibile autrice sajeeva hurtado editore ester collana altra conoscenza anno edizione maggio 2018 formato paperback pagine della versione a stampa 234 p ean 9788899668136

piena di vita respirazione ovarica alchimia femminile by - Jun 01 2022

web piena di vita respirazione ovarica alchimia femminile respirazione ovarica con sajeeva hurtado matrika respirazione ovarica alchimia femminile con sajeeva hurtado respirazione e sessualità potere

sinonimi di piena di vita in italiano reverso dictionary - Aug 03 2022

web sei ancora giovane e piena di vita ma la gente insiste a vederti come una donna più anziana e tu sei così piena di vita che mi spaventa contrari spento inerte apatico fiacco addormentato inattivo indolente pigro scialbo smorto statico

piena di vita respirazione ovarica alchimia femmi book - Dec 07 2022

web yet situated within the pages of *piena di vita respirazione ovarica alchimia femmi* a captivating fictional treasure pulsing with natural emotions lies an extraordinary quest waiting to be undertaken

piena di vita respirazione ovarica alchimia femmi - Apr 11 2023

web of this *piena di vita respirazione ovarica alchimia femmi* by online you might not require more grow old to spend to go to the book opening as with ease as search for them in some cases you likewise pull off not discover the proclamation *piena di vita respirazione ovarica alchimia femmi* that you are looking for it will definitely

piena di vita respirazione ovarica alchimia femminile by - Mar 30 2022

web *piena di vita respirazione ovarica alchimia femminile* by sajeeva hurtado april 26th 2020 la creazione di respirazione ovarica alchimia femminile fu ispirata anche da questo

sinonimi di vita piena in italiano reverso dictionary - Jul 02 2022

web sinonimi e analoghi per *vita piena* in italiano raggruppati per significato una *vita piena* di delusioni e debiti avvolti in un completo di lino dopo una *vita piena* di battaglie norman fu avvicinato da virgil per divenire il guardiano

piena di vita respirazione ovarica alchimia femmi pdf wrbb neu - Jan 08 2023

web 2 *piena di vita respirazione ovarica alchimia femmi* 2022 09 29 the important issue of palliative care in the developing nations textbook of palliative medicine offers a genuine alternative to the narrative approach of its competitors and is an ideal complement to them it is essential reading for all palliative care

piena di vita respirazione ovarica alchimia femmi pdf api - Sep 04 2022

web this online publication *piena di vita respirazione ovarica alchimia femmi* can be one of the options to accompany you when having additional time it will not waste your time consent me the e book will enormously melody you extra issue to read just invest tiny period to log on this on line pronouncement *piena di vita respirazione ovarica*

sudan civil war darfur s jem rebels join army fight against rsf - Apr 13 2023

web 2 days ago two rebel groups from sudan s darfur region say they will fight alongside the army in the country s civil war this comes after the paramilitary rapid support forces rsf made major gains in

sudan darfur and the failure of an african state the failure and - Jan 10 2023

web buy *sudan darfur and the failure of an african state the failure and division of an african state 2* by cockett richard isbn 9780300215311 from amazon s book store everyday low prices and free delivery on eligible orders

more than 800 sudanese reportedly killed in attack on darfur - Apr 01 2022

web nov 11 2023 the u n refugee agency and sudanese doctors say fighters from a paramilitary force and their allied arab militias rampaged through a town in the war ravaged region of darfur reportedly killing

sudan darfur and the failure of an african state google books - Feb 11 2023

web over the past two decades the situation in africa s largest country sudan has progressively deteriorated the country is in second position on the failed states index a war in darfur has claimed hundreds of thousands of deaths president bashir has been indicted by the international criminal court a forthcoming referendum on independence

sudan darfur conflict genocide war crimes britannica - Jul 16 2023

web sudan darfur conflict genocide war crimes a separate conflict that remained unresolved centred on the darfur region in western sudan the conflict began in 2003 when rebels launched an insurrection to protest what they contended was the sudanese government s disregard for the western region and its non arab population

the failure of the state in africa the case of darfur jstor - Feb 28 2022

web the failure of the state in africa the case of darfur by nnoah bassil in february 2003 sudanese government installations in darfur were attacked by two rebel groups the sudanese liberation army sla and the justice and equity movement jem escalating a protracted struggle in the region into what the united nations has called the world s

sudan violence verging on pure evil in darfur un warns - Nov 08 2022

web nov 11 2023 un says human right violations are soaring file this picture taken on sept 1 2023 shows a view of destruction in a livestock market area in al fasher the capital of sudan s north darfur state

sudan the failure and division of an african state edition 2 - Sep 06 2022

web oct 25 2016 chapter 1 the one city state 6 chapter 2 populists and civil war 1956 89 56 chapter 3 the national islamic front and turabi in power 1989 2000 96 chapter 4 sudan and the west slavery conscience and al qaeda 143 chapter 5 darfur how the lolling was allowed to happen 168 chapter 6 darfur the vortex 211

sudan conflict thousands flee fresh ethnic killings in darfur - May 14 2023

web nov 8 2023 the un refugee agency says an unimaginable humanitarian crisis is unfolding in sudan nearly six million people have been forced from their homes since the war began more on sudan s conflict

sudan darfur and the failure of an african state - Mar 12 2023

web over the past two decades the situation in africa s largest country sudan has progressively deteriorated the country is in second position on the failed states index a war in darfur has claimed hundreds of thousands of deaths president bashir has been indicted by the international criminal court a forthcoming referendum on independence

an unimaginable humanitarian crisis is unfolding in sudan - Sep 18 2023

web nov 7 2023 geneva the war that erupted without warning turned previously peaceful sudanese homes into cemeteries now fighting is growing in scope and brutality affecting the people of sudan and the world is scandalously silent though violations of international humanitarian law persist with impunity it is shameful that the atrocities committed 20

more than 800 sudanese reportedly killed in attack on darfur - Jul 04 2022

web november 12 2023 11 52 am et by the associated press cairo fighters from a paramilitary force and their allied arab militias rampaged through a town in sudan s war ravaged region of darfur

sudan darfur and the failure of an african state taylor - Oct 07 2022

web mar 13 2013 richard cockett 2010 sudan darfur and the failure of an african state london yale university press 315 pp isbn 978 0 300 16273 8 the conflict in darfur is surely one of the greatest human dis

sudan darfur and the failure of an african state - May 02 2022

web article pratihari2012sudanda title sudan darfur and the failure of an african state author bijay ketan pratihari journal africa review year 2012 volume 4 pages 84 86 url api.semanticscholar.org/corpusid/179098146

sudan darfur and the failure of an african state 2 download - Jun 15 2023

web sudan darfur and the failure of an african state 2 the failure of capital corporate federal credit union mar 19 2021 failure of independent cpa s to identify fraud waste and mismanagement and assure accurate financial position of troubled s l s apr 19 2021 psa 93 jun 21 2021

pdf sudan darfur and the failure of an african state 2 - Aug 17 2023

web the united states and west africa mar 16 2023 the first volume devoted to interrogating the complex relationship both historic and contemporary between the united states and west africa over the last several decades historians have conducted extensive research into contact between the united states and west africa during the era of the

richard cockett 2010 sudan darfur and the failure of an african state - Jun 03 2022

web sudan darfur and the failure of an african state books over the past two decades the situation in africaâ s largest country sudan has progressively deteriorated the country is in second position on the failed states index a war in darfur has claimed hundreds of thousands of deaths president bashir has been indicted by the international

sudan darfur and the failure of an african state researchgate - Aug 05 2022

web jan 1 2010 over the past two decades the situation in africa s largest country sudan has progressively deteriorated the country is in second position on the failed states index a war in darfur

sudan darfur and the failure of an african state - Dec 09 2022

web sudan darfur and the failure of an african state over the past two decades the situation in africa s largest country sudan has progressively deteriorated the country is in second position on the failed states index a war in darfur has claimed hundreds of thousands of deaths president bashir has been indicted by the international

seizing darfur region paramilitary forces are accused of atrocities - Oct 19 2023

web nov 16 2023 seven months into sudan s civil war the paramilitary rapid support forces and its allies are ransacking and

capturing the darfur region an aid worker said people are dying like insects