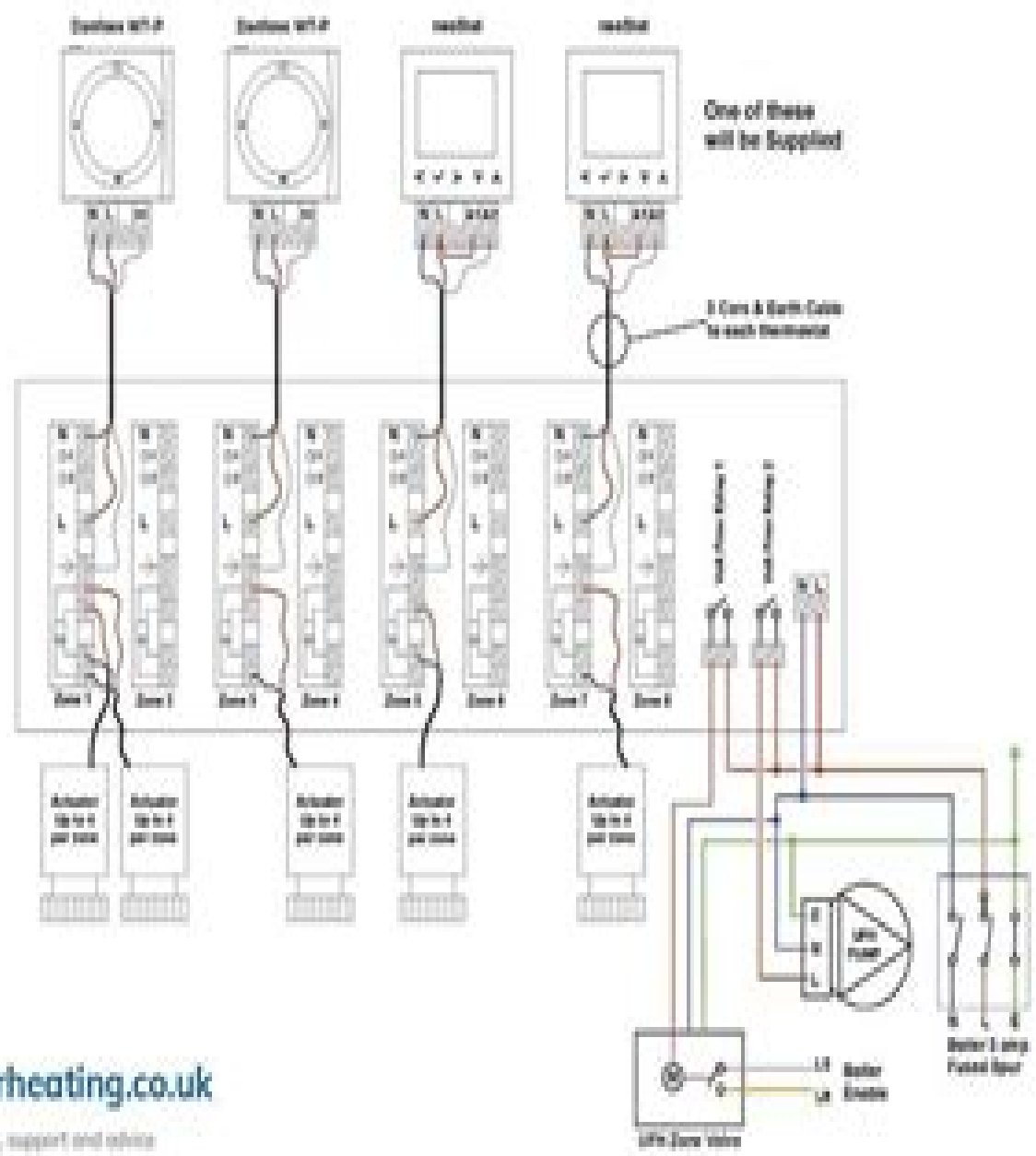


Wiring using a Wiring Centre (Multi Zone)



Connection Example Danfoss

A Loxley



Connection Example Danfoss:

Entrepreneurship in Theory and Practice Suna Løwe Nielsen, Kim Klyver, Majbritt Rostgaard Ewald, Torben Bager, 2021-03-26 The third edition of this creative and successful textbook provides a broad overview of entrepreneurship from a theoretical and practical perspective Engaging for undergraduates it embeds theories of entrepreneurship with tensions and dilemmas presented as paradoxes for each chapter It offers insights into the entrepreneurial process and challenges readers to assess the paradoxes and pitfalls encountered on an entrepreneurial journey **Mass Customisation and Personalisation in Architecture and Construction** Poorang Piroozfar, Frank Piller, 2013-06-19 Challenged by the recent economic crisis the building and construction industry is currently seeking new orientation and strategies Here mass customisation is uncovered as a key strategy in helping to meet this challenge The term mass customisation denotes an offering that meets the demands of each individual customer whilst still being produced with mass production efficiency Today mass customisation is emerging from a pilot stage into a scalable and sustainable strategy The first dedicated publication of its kind this book provides a forum for the concept within an applied and highly innovative context The book includes contributions from some of the most prominent thinkers and practitioners in the field from across the world including Kasper S Vibaek Steve Kendall Martin Bechthold Mitchell M Tseng and Masa Noguchi Bringing together this panel of experts who have carried out research both in academia and practice this book provides an overview of state of the art practice related to the concept of customisation and personalisation within the built environment *From Ideas to Action* Jan-Olaf Willums, Ulrich Golüke, 1992 The earth our asset Business sustainable development and environmental assets The air around us The water we need The vanishing forests The richness of nature biodiversity The lost resource waste Hopes and promises population poverty and health The business response to sustainable development The greening of enterprise industry s score Fueling economic development the double edge of energy Bridging the gap industry s role in technology cooperation The road ahead The ICC business charter for sustainable development The history of the business charter Further reference material on cases Corporate environmental profiles The Rio declaration and ICC business charter on environment and development Reference documents *The Journal of Refrigeration* ,1968 Water 21 ,1999 Modern Refrigeration ... ,1974 **Market Oriented Product Innovation** Knut Holt, 2013-03-14 Market Oriented Product Innovation differs from most other titles written either from a marketing or technical perspective by giving a holistic view of the product innovation process It has a product perspective written from a managerial point of view recognizing that product innovation or new product development is a discipline of its own It is concerned with managing the products goods and services through their life cycle integrating marketing knowledge and technological expertise with the aim of getting satisfied customers The book also gives a thorough treatment of the human and cultural aspects of product innovation by focusing on the change processes needed for the development of a market oriented culture The Journal of the Institution

of Heating and Ventilating Engineers Institution of Heating and Ventilating Engineers (Great Britain),1960 *The Engineering and Boiler House Review* ,1962 *Shipbuilding & Marine Engineering International* ,1972 **Engineering Materials and Design** ,1990 *Processing* ,1993 **Business Review Weekly** ,2004 **Heating & Air Treatment Engineer** ,1961 Embedded Software ,2005 Desalination Jane Kucera,2019-04-11 This all new revised edition of a modern classic is the most comprehensive and up to date coverage of the green process of desalination in industrial and municipal applications covering all of the processes and equipment necessary to design operate and troubleshoot desalination systems This is becoming increasingly more important for not only our world s industries but our world s populations as pure water becomes more and more scarce Blue is the new green This is an all new revised edition of a modern classic on one of the most important subjects in engineering Water Featuring a total revision of the initial volume this is the most comprehensive and up to date coverage of the process of desalination in industrial and municipal applications a technology that is becoming increasingly more important as more and more companies choose to go green This book covers all of the processes and equipment necessary to design operate and troubleshoot desalination systems from the fundamental principles of desalination technology and membranes to the much more advanced engineering principles necessary for designing a desalination system Earlier chapters cover the basic principles the economics of desalination basic terms and definitions and essential equipment The book then goes into the thermal processes involved in desalination such as various methods of evaporation distillation recompression and multistage flash Following that is an exhaustive discussion of the membrane processes involved in desalination such as reverse osmosis forward osmosis and electrodialysis Finally the book concludes with a chapter on the future of these technologies and their place in industry and how they can be of use to society This book is a must have for anyone working in water for engineers technicians scientists working in research and development and operators It is also useful as a textbook for graduate classes studying industrial water applications

Interactions ,1997 A magazine for designers of interactive products **Official Journal of the European Communities** ,1988 Official Reference Book and Buyers' Guide ,1986 La vita tra cose e natura Electa,1992

Whispering the Techniques of Language: An Mental Quest through **Connection Example Danfoss**

In a digitally-driven earth where displays reign supreme and immediate interaction drowns out the subtleties of language, the profound secrets and emotional nuances hidden within phrases often go unheard. However, situated within the pages of **Connection Example Danfoss** a interesting fictional prize sporting with raw thoughts, lies an extraordinary journey waiting to be undertaken. Penned by a skilled wordsmith, this marvelous opus attracts visitors on an introspective journey, delicately unraveling the veiled truths and profound influence resonating within ab muscles fabric of each and every word. Within the mental depths with this moving evaluation, we shall embark upon a heartfelt exploration of the book is primary styles, dissect their interesting publishing style, and succumb to the powerful resonance it evokes heavy within the recesses of readers hearts.

https://py.bijouxmedusa.com/results/uploaded-files/default.aspx/digital_marketing_trends_usa_19_2445_digital_marketing_trends_united.pdf

Table of Contents Connection Example Danfoss

1. Understanding the eBook Connection Example Danfoss
 - The Rise of Digital Reading Connection Example Danfoss
 - Advantages of eBooks Over Traditional Books
2. Identifying Connection Example Danfoss
 - Exploring Different Genres
 - Considering Fiction vs. Non-Fiction
 - Determining Your Reading Goals
3. Choosing the Right eBook Platform
 - Popular eBook Platforms
 - Features to Look for in an Connection Example Danfoss
 - User-Friendly Interface
4. Exploring eBook Recommendations from Connection Example Danfoss

- Personalized Recommendations
 - Connection Example Danfoss User Reviews and Ratings
 - Connection Example Danfoss and Bestseller Lists
5. Accessing Connection Example Danfoss Free and Paid eBooks
 - Connection Example Danfoss Public Domain eBooks
 - Connection Example Danfoss eBook Subscription Services
 - Connection Example Danfoss Budget-Friendly Options
 6. Navigating Connection Example Danfoss eBook Formats
 - ePub, PDF, MOBI, and More
 - Connection Example Danfoss Compatibility with Devices
 - Connection Example Danfoss Enhanced eBook Features
 7. Enhancing Your Reading Experience
 - Adjustable Fonts and Text Sizes of Connection Example Danfoss
 - Highlighting and Note-Taking Connection Example Danfoss
 - Interactive Elements Connection Example Danfoss
 8. Staying Engaged with Connection Example Danfoss
 - Joining Online Reading Communities
 - Participating in Virtual Book Clubs
 - Following Authors and Publishers Connection Example Danfoss
 9. Balancing eBooks and Physical Books Connection Example Danfoss
 - Benefits of a Digital Library
 - Creating a Diverse Reading Collection Connection Example Danfoss
 10. Overcoming Reading Challenges
 - Dealing with Digital Eye Strain
 - Minimizing Distractions
 - Managing Screen Time
 11. Cultivating a Reading Routine Connection Example Danfoss
 - Setting Reading Goals Connection Example Danfoss
 - Carving Out Dedicated Reading Time
 12. Sourcing Reliable Information of Connection Example Danfoss

- Fact-Checking eBook Content of Connection Example Danfoss
 - Distinguishing Credible Sources
13. Promoting Lifelong Learning
- Utilizing eBooks for Skill Development
 - Exploring Educational eBooks
14. Embracing eBook Trends
- Integration of Multimedia Elements
 - Interactive and Gamified eBooks

Connection Example Danfoss Introduction

In the digital age, access to information has become easier than ever before. The ability to download Connection Example Danfoss has revolutionized the way we consume written content. Whether you are a student looking for course material, an avid reader searching for your next favorite book, or a professional seeking research papers, the option to download Connection Example Danfoss has opened up a world of possibilities. Downloading Connection Example Danfoss provides numerous advantages over physical copies of books and documents. Firstly, it is incredibly convenient. Gone are the days of carrying around heavy textbooks or bulky folders filled with papers. With the click of a button, you can gain immediate access to valuable resources on any device. This convenience allows for efficient studying, researching, and reading on the go. Moreover, the cost-effective nature of downloading Connection Example Danfoss has democratized knowledge. Traditional books and academic journals can be expensive, making it difficult for individuals with limited financial resources to access information. By offering free PDF downloads, publishers and authors are enabling a wider audience to benefit from their work. This inclusivity promotes equal opportunities for learning and personal growth. There are numerous websites and platforms where individuals can download Connection Example Danfoss. These websites range from academic databases offering research papers and journals to online libraries with an expansive collection of books from various genres. Many authors and publishers also upload their work to specific websites, granting readers access to their content without any charge. These platforms not only provide access to existing literature but also serve as an excellent platform for undiscovered authors to share their work with the world. However, it is essential to be cautious while downloading Connection Example Danfoss. Some websites may offer pirated or illegally obtained copies of copyrighted material. Engaging in such activities not only violates copyright laws but also undermines the efforts of authors, publishers, and researchers. To ensure ethical downloading, it is advisable to utilize reputable websites that prioritize the legal distribution of content. When downloading Connection Example Danfoss, users should also consider the potential security risks associated with online

platforms. Malicious actors may exploit vulnerabilities in unprotected websites to distribute malware or steal personal information. To protect themselves, individuals should ensure their devices have reliable antivirus software installed and validate the legitimacy of the websites they are downloading from. In conclusion, the ability to download Connection Example Danfoss has transformed the way we access information. With the convenience, cost-effectiveness, and accessibility it offers, free PDF downloads have become a popular choice for students, researchers, and book lovers worldwide. However, it is crucial to engage in ethical downloading practices and prioritize personal security when utilizing online platforms. By doing so, individuals can make the most of the vast array of free PDF resources available and embark on a journey of continuous learning and intellectual growth.

FAQs About Connection Example Danfoss Books

How do I know which eBook platform is the best for me? Finding the best eBook platform depends on your reading preferences and device compatibility. Research different platforms, read user reviews, and explore their features before making a choice. Are free eBooks of good quality? Yes, many reputable platforms offer high-quality free eBooks, including classics and public domain works. However, make sure to verify the source to ensure the eBook credibility. Can I read eBooks without an eReader? Absolutely! Most eBook platforms offer web-based readers or mobile apps that allow you to read eBooks on your computer, tablet, or smartphone. How do I avoid digital eye strain while reading eBooks? To prevent digital eye strain, take regular breaks, adjust the font size and background color, and ensure proper lighting while reading eBooks. What the advantage of interactive eBooks? Interactive eBooks incorporate multimedia elements, quizzes, and activities, enhancing the reader engagement and providing a more immersive learning experience. Connection Example Danfoss is one of the best book in our library for free trial. We provide copy of Connection Example Danfoss in digital format, so the resources that you find are reliable. There are also many Ebooks of related with Connection Example Danfoss. Where to download Connection Example Danfoss online for free? Are you looking for Connection Example Danfoss PDF? This is definitely going to save you time and cash in something you should think about.

Find Connection Example Danfoss :

[digital marketing trends USA 19-2445](#) [digital marketing trends United States 19-1672](#) [wearable technology case study for small business 19-2693](#) [19-2796 machine learning basics roadmap for small business 19-4](#) [machine](#)

[study for creators 19-1925 mobile app ideas case study for creators tools United States 19-2475 dropshipping business tools for creators 19-2440 dropshipping business software for small business 19-1311 startups 19-1860 retirement planning software for startups 19-903 19-1237 home organization trends for entrepreneurs 19-797 home practices America 19-2136 machine learning basics best practices America 19-855 digital marketing tutorial America 19-986 dropshipping business 19-985 AI marketing examples United States 19-539 AI marketing examples apps United States 19-1440 resume writing apps for small business 19-309 step by step USA 19-2219 business automation step by step for small business 19-2783 content marketing comparison for startups 19-393 online business software for entrepreneurs 19-2632 online business](#)

Connection Example Danfoss :

[book pdf elizabeth dupart hoodoo essential oils and powders](#) - Mar 31 2022

web jul 27 2023 [book pdf elizabeth dupart hoodoo essential oils and powders from money oil to hotfoot powder and much more hoodoo recipes thread starter holdall start date jul 25 2023](#)

pdf hoodoo essential oils and powders from money oil to - May 01 2022

web feb 18 2020 [download hoodoo essential oils and powders from money oil to hotfoot powder and much more nodrm we are a sharing community so please help us by uploading 1 new document or like us to download upload document file or like to download immediately](#)

[hoodoo essential oils and powders from money oil to ho](#) - Aug 16 2023

web start building your stock of hoodoo recipes today this book has ten staple recipes for beginning to advanced practitioners of hoodoo hoodoo is an old magical religion whose practices are still used by many to do this day from powder to ward off enemies to an oil used for drawing in a love interest this book has it all

money drawing condition oil haus of hoodoo - Aug 04 2022

web our money condition oil is used to increase finances to increase wealth to increase money flow and to attract money from all ends condition oil is an old hoodoo term for oils used for magic ritual and brujería

hoodoo essential oils and powders from money oil to hotfoot - Jun 14 2023

web hoodoo essential oils and powders from money oil to hotfoot powder and much more nodrm pdf vinegar foods 91 33 4k

views 12 pages

elizabeth dupart hoodoo essential oils and powders from money oil - Feb 27 2022

web jul 25 2023 elizabeth dupart hoodoo essential oils and powders from money oil to hotfoot powder and much more hoodoo recipes r wizardforums

hoodoo oils recipes for love money protection and luck art - Apr 12 2023

web apr 23 2023 hands down the most popular hoodoo oils are money drawing oil love drawing oil love attraction oil protection oil road opener oil and van van oil money drawing hoodoo oils money drawing oil is used to draw in money prosperity and financial success money drawing oils can be used in a variety of rituals and spells

the use of magical oils in hoodoo prayer and spellwork - Jun 02 2022

web jan 22 2019 hoodoo essential oils and powders from money oil to hotfoot powder and much more hoodoo recipes

hoodoo essential oils and powders from money oil to hotfoot powder - Jul 15 2023

web this book has ten staple recipes for beginning to advanced practitioners of hoodoo hoodoo is an old magical religion whose practices are still used by many to do this day from powder to ward off enemies to an oil used for

top 10 best hoodoo oils review in 2022 gadgetssai - Jan 29 2022

web jun 27 2022 hoodoo essential oils and powders from money oil to hotfoot powder and much more hoodoo recipes 9 6

buy on amazon 7 the use of magical oils in hoodoo 9 4 buy on amazon 8 healing oil 1 2 oz hoodoo voodoo wiccan pagan santeria 9 buy on amazon 9 love attraction oil set with come to me 8 6 buy on

elizabeth dupart author of 13 hoodoo jar spells goodreads - Sep 05 2022

web hoodoo essential oils and powders from money oil to hotfoot powder and much more

hoodoo root oils lucky hoodoo products inc - Dec 28 2021

web banner add spiritual power to your personal life and to all your rituals by using lucky hoodoo root oils below is a combined listing of all the oils we offer other viewing options are in the oil menu which is divided into three categories spiritual oils

money drawing hoodoo oil prosperity spell aromag s - Jul 03 2022

web all the ingredients used are historically known to be money drawing in the hoodoo tradition this money drawing oil contains alfalfa fenugreek cinnamon vertiver and other herbs and essential oils in a base of fractionated coconut oil for bringing more money into your household or business anoint copies of your bank statement with money

hoodoo essential oils and powders from money oil to hotfoot powder - Feb 10 2023

web hoodoo essential oils and powders from money oil to hotfoot powder and much more hoodoo recipes english edition ebook dupart elizabeth amazon de kindle store

[hoodoo essential oils and powders from money oil to hotfoot powder](#) - May 13 2023

web oct 24 2016 hoodoo essential oils and powders from money oil to hotfoot powder and much more hoodoo recipes kindle edition by dupart elizabeth download it once and read it on your kindle device pc phones or tablets

amazon com customer reviews hoodoo essential oils and powders - Jan 09 2023

web find helpful customer reviews and review ratings for hoodoo essential oils and powders from money oil to hotfoot powder and much more hoodoo recipes at amazon com read honest and unbiased product reviews from our users

[hoodoo oils sachet powders](#) - Oct 06 2022

web hoodoo oils sachet powders hoodoo oils are called conjure oils dressing oils ritual oils or anointing oils they can be used to anoint magickal charms mojo bags aka gris gris bags money the body name papers or petition papers talismans etc you can also mix the oil with another oil such as come to me reconciliation and

hoodoo essential oils and powders from money oil to hotfoot powder - Mar 11 2023

web hoodoo essential oils and powders from money oil to hotfoot powder and much more hoodoo recipes ebook dupart elizabeth amazon ca kindle store

hoodoo essential oils and powders from money oil to hotfoot powder - Nov 07 2022

web hoodoo essential oils and powders from money oil to hotfoot powder and much more hoodoo recipes ebook dupart elizabeth amazon ca boutique kindle

[amazon co uk customer reviews hoodoo essential oils and powders](#) - Dec 08 2022

web find helpful customer reviews and review ratings for hoodoo essential oils and powders from money oil to hotfoot powder and much more hoodoo recipes at amazon com read honest and unbiased product reviews from our users

alfie in the snow book 5 alfie series amazon co uk - Mar 10 2023

web the sunday times bestseller returns for a fifth book alfie and his mischievous kitten george are back for more adventures when a new family moves onto edgar road alfie and george can t wait to welcome them especially when they discover they have a cat too

alfie in the snow wells rachel 9780008295790 amazon com - Jul 02 2022

web rachel wells is a mother writer and cat lover who lives in north devon with her family son xavier and cat lady a and believes in the magic of animals she grew up in devon but lived in london in her twenties working in marketing and living in a tiny flat with an elderly rescued cat albert

[alfie in the snow alfie series book 5 by rachel wells ebook](#) - Sep 04 2022

web oct 18 2018 alfie imagines they ll be the perfect neighbours but when one little misunderstanding gets blown out of proportion the street is suddenly at war as the snow starts to fall alfie and george have their work cut

alfie in the snow by rachel wells audiobooks on google play - Feb 26 2022

web alfie in the snow audiobook written by rachel wells narrated by edward killingback get instant access to all your favorite books no monthly commitment listen online or offline with android ios web chromecast and google assistant try

alfie in the snow alfie series book 5 amazon com - Feb 09 2023

web nov 19 2019 the sunday times bestseller returns for a fifth book alfie and his mischievous kitten george are back for more adventures when a new family moves onto edgar road alfie and george can t wait to welcome them especially when they discover they have a cat too

alfie in the snow alfie series book 5 kindle edition - Jul 14 2023

web oct 18 2018 alfie and his mischievous kitten george are back for more adventures as the snow starts to fall alfie and george have their work cut out for them to bring the street back together but can one doorstep cat and his mischievous kitten use their festive spirit to reunite everyone in time for christmas kindle e readers kindle 2nd generation

alfie in the snow by rachel wells waterstones - Apr 30 2022

web mar 7 2019 the sunday times bestseller returns for a fifth book alfie and his mischievous kitten george are back for more adventures when a new family moves onto edgar road alfie and george can t wait to welcome them especially when they discover they have a cat too

alfie in the snow overdrive - Mar 30 2022

web oct 18 2018 can alfie and george save christmas the sunday times bestseller returns for a fifth book alfie and his mischievous kitten george are back for more adventures when a new family moves onto edgar road alfie and george can t wait to welcome them especially when they discover they have a cat too

alfie in the snow rachel wells 9780008295776 netgalley - Jan 28 2022

web oct 18 2018 netgalley helps publishers and authors promote digital review copies to book advocates and industry professionals publishers make digital review copies and audiobooks available for the netgalley community to discover request read and review

alfie in the snow book 5 hardcover 22 october 2018 - Aug 03 2022

web select the department you want to search in

loading interface goodreads - Dec 27 2021

web discover and share books you love on goodreads

alfie in the snow book 5 alfie series hardcover amazon co uk - May 12 2023

web the sunday times bestseller returns for a fifth book alfie and his mischievous kitten george are back for more adventures when a new family moves onto edgar road alfie and george can t wait to welcome them especially when they discover they

have a cat too

alfie in the snow paperback march 7 2019 amazon com - Dec 07 2022

web mar 7 2019 alfie imagines they ll be the perfect neighbours but when one little misunderstanding gets blown out of proportion the street is suddenly at war as the snow starts to fall alfie and george have their work cut

books rachel wells - Jun 01 2022

web books rachel wells books alfie in the snow can alfie and george save christmas the sunday times bestseller returns for a fifth book alfie and his mischievous kitten george are back for more adventures when a new family moves onto edgar road alfie and george can t wait to welcome them especially when they discover they have a cat

alfie and the greatest creatures alfie in the snow amazon com tr - Jan 08 2023

web alfie and the greatest creatures alfie in the snow davids susie amazon com tr kitap

alfie in the snow alfie series book 5 kindle edition - Jun 13 2023

web the sunday times bestseller returns for a fifth book alfie and his mischievous kitten george are back for more adventures when a new family moves onto edgar road alfie and george can t wait to welcome them especially when they discover they have a cat too

alfie in the snow in apple books - Nov 06 2022

web alfie imagines they ll be the perfect neighbours but when one little misunderstanding gets blown out of proportion the street is suddenly at war as the snow starts to fall alfie and george have their work cut out for them to bring the street back together

alfie in the snow alfie series book 5 amazon co uk - Oct 05 2022

web rachel wells narrator edward killingback audible release date 18 oct 2018 language english publisher harpercollins publishers limited asin b07hz2q3dh version unabridged

alfie in the snow alfie series amazon com tr - Aug 15 2023

web alfie in the snow alfie series rachel wells amazon com tr kitap Çerez tercihlerinizi seçin Çerez bildirimimizde ayrıntılı şekilde açıklandığı üzere alışveriş yapmanızı sağlamak alışveriş deneyiminizi iyileştirmek ve hizmetlerimizi sunmak için gerekli olan çerezleri ve benzer araçları kullanırız

alfie in the snow wells rachel amazon com tr - Apr 11 2023

web alfie in the snow wells rachel amazon com tr Çerez tercihlerinizi seçin alışveriş deneyiminizi geliştirmek hizmetlerimizi sunmak müşterilerin hizmetlerimizi nasıl kullandığını anlayarak iyileştirmeler yapabilmek ve tanıtımları gösterebilmek için çerezler ve benzeri araçları kullanmaktayız

microeconomics 11th edition michael parkin 0133019942 pdf - Jul 06 2022

web parkin microeconomics eleventh edition microeconomics on amazon com free shipping on qualifying offers parkin microeconomics eleventh edition microeconomics economics 11th edition 9780132994842 textbooks com - Sep 08 2022
web may 30 2018 new in the eleventh edition chapter 2 has been slightly rewritten the economics in action boxes have been replaced with two economics in the news
international edition economics 11th edition by michael - Dec 11 2022
web buy economics 11th edition 9780132994842 by michael parkin for up to 90 off at textbooks com
economics 12th edition 9780133872279 - Feb 01 2022

michael parkin economics 11th edition copy uniport edu - Oct 29 2021

economics pearson series in economics hardcover - Feb 13 2023
web feb 16 2014 michael parkin 139 ratings by goodreads isbn 10 0273789961 isbn 13 9780273789963 published by pearson 2013 international edition new condition new
economics 11th edition parkin michael 9780132994842 - Nov 10 2022
web english pdf available on ios android ebook pdf economics european edition michael parkin melanie powell kent matthews book details table of contents citations
microeconomics 11th edition parkin michael 9780133019940 - May 04 2022
web aug 13 2023 the major source of this great uncertainty is economic policy there is uncertainty about the way in which international trade policy will evolve as protectionism
economics michael parkin google books - Apr 15 2023
web jan 14 2013 michael parkin economics pearson series in economics hardcover 11th revised ed edition by michael parkin author 4 0 13 ratings see all formats and
economics european edition amazon co uk parkin - Jun 17 2023
web parkin trains students to think like economists by offering a clear introduction to theory and applying the concepts to today s events news and research from our global food
economics pearson - Jan 12 2023
web economics 11th edition parkin michael 9780132994842 books amazon ca skip to main content ca hello select your address books hello sign in account lists returns
solution manual for economics 11th edition michael parkin issuu - Jun 05 2022

web solutions for economics 11th edition by michael parkin author isbn13 9780133423921 economics 278139 views 5 1 all 31 chapters covered solved by

[economics european edition 11th ed by michael parkin ebook](#) - Mar 14 2023

web dec 29 2022 economics 14th edition published by pearson december 28 2022 2023 michael parkin emeritus of university of western ontario

economics european edition 11th edition pearson - Aug 19 2023

web nov 24 2021 economics european edition 11th edition published by pearson november 25 2021 2022 michael parkin emeritus of university of western ontario

parkin economics 11ed pearson - Jul 18 2023

web economics european edition 11th edition published by pearson march 2 2022 2022 michael parkin emeritus of university of western ontario melanie powell derby

solutions for economics 11th edition scholaron com - Mar 02 2022

web michael parkin economics 11th edition is available in our digital library an online access to it is set as public so you can download it instantly our digital library hosts in multiple

microeconomics 11th edition by michael parkin acadamine - Dec 31 2021

economics european edition 11th edition pearson - May 16 2023

web take your first learning steps in the essential principles of economics and follow in the footsteps of all leading economists economics touches almost every aspect of life

michael parkin economia pearson 2018 - Oct 09 2022

web microeconomics 11th edition michael parkin 0133019942 pdf google drive

microeconomics 9780133019940 economics books - Sep 27 2021

pdf economics european edition by michael parkin perlego - Aug 07 2022

web jan 14 2013 professor parkin s research on macroeconomics monetary economics and international economics has resulted in over 160 publications in journals and edited

test bank for economics 11th edition by michael parkin issuu - Nov 29 2021

parkin microeconomics eleventh edition microeconomics - Apr 03 2022

web aug 5 2018 4 the production possibilities frontier itself illustrates a all goods that can be produced by an economy b the

combination of goods and services that can be