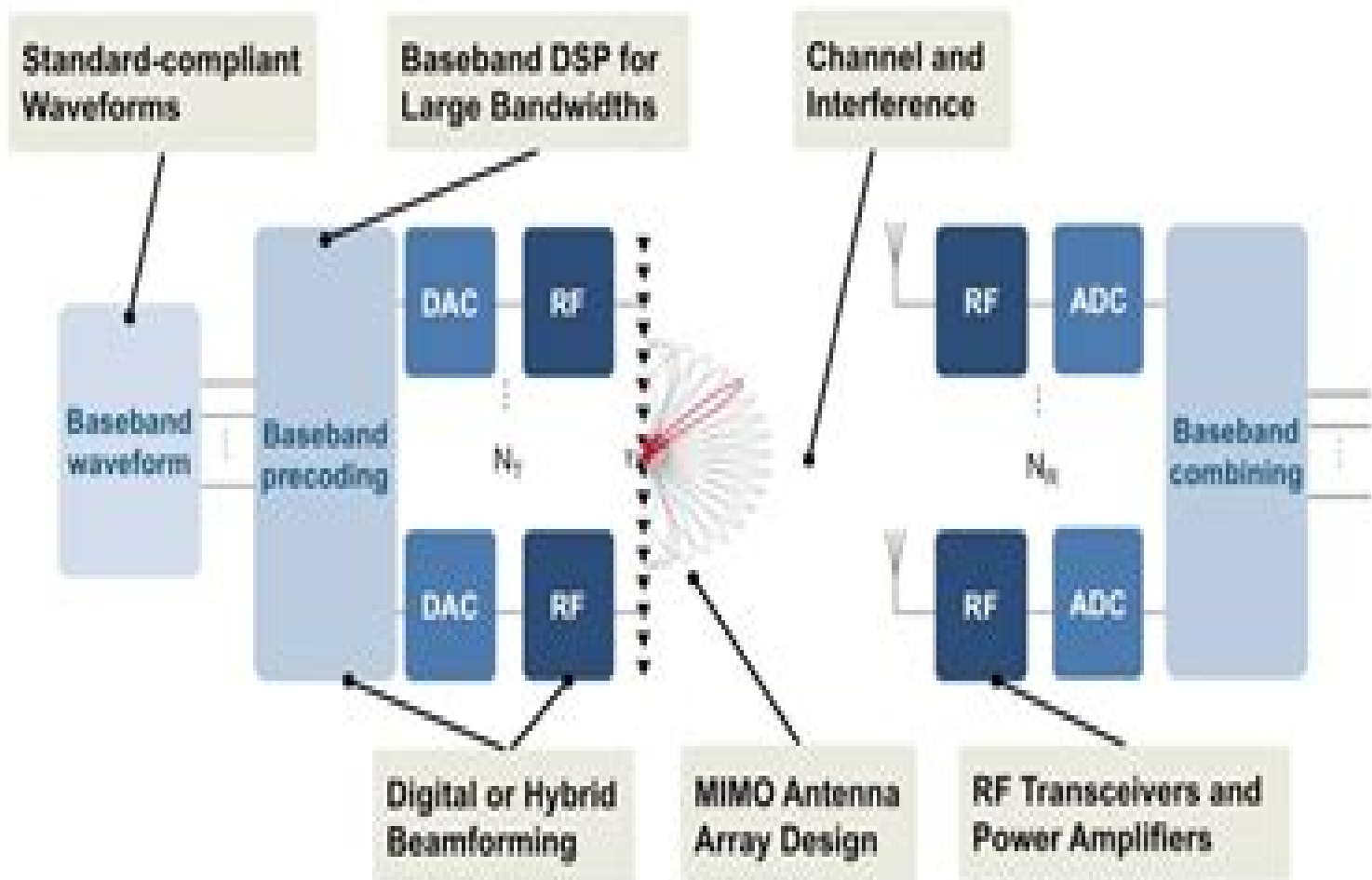


Multi-Domain Engineering for 5G

Subsystems must be designed and tested together



5g Wireless Technology Development Matlab Simulink

Michael Seilmaier



5g Wireless Technology Development Matlab Simulink:

Advanced Wireless Communication and Sensor Networks Ashish Bagwari, Geetam Singh Tomar, Jyotshana Bagwari, Jorge Luis Victória Barbosa, Musti K.S. Sastry, 2023-07-12 This book covers wireless communication security issues advanced wireless sensor networks WSNs routing protocols of WSNs with cross layer solutions emerging trends in the advanced WSNs power management distributed sensing and data gathering techniques for WSNs WSNs security applications research of advanced WSNs with simulation results and simulation tools for WSNs Features Covers technologies supporting advanced wireless communication systems sensor networks and the conceptual development of the subject Discusses advanced data gathering and sharing distributed sensing techniques with its business applicability Includes numerous worked out mathematical equations and formulas as well as essential principles including figures illustrations algorithms and flow charts Provides pervasive background knowledge including both wireless communications and WSNs Covers wireless networks as well as sensor network models in detail This book is aimed at graduate students researchers and academics working in the field of computer science wireless communication technology and advanced WSNs **Advanced Wireless**

Communication Systems: A Comprehensive Guide Sandeep Kumar Singh, Ashok Kumar, 2026-01-27 Advanced Wireless Communication Systems A Comprehensive Guide bridges foundational principles with emerging paradigms to present a unified and in depth exploration of the technologies architectures and innovations shaping contemporary and next generation wireless networks Opening with an overview of wireless technology evolution the book discusses global standards and regulatory frameworks for wireless networks while also systematically exploring wireless channel modelling simulation methodologies and a wide range of network architectures including cellular networks Wi Fi Bluetooth Zigbee LoRaWAN and IoT connectivity frameworks Advanced physical layer and system level technologies such as MIMO OFDM millimetre wave terahertz communication and free space optical systems are examined in detail along with critical security and privacy challenges in modern wireless networks Later chapters focus on future facing innovations including massive MIMO beamforming cognitive radio dynamic spectrum access and vehicular communication systems The book culminates with cutting edge topics such as machine learning driven network slicing latency optimisation for ultra reliable low latency communications URLLC and noncoherent system design targeting 6G class applications Key Features Comprehensive coverage from wireless communication fundamentals to cutting edge technologies An integrated perspective on wireless communication methods combining theory simulation methods and practical case studies Dedicated chapters on AI enabled optimisation cognitive radio and URLLC Clear illustrations comparative analyses and real world application insights

Signal Processing Techniques for Communication K.C. Raveendranathan, 2024-10-30 The reference text discusses signal processing tools and techniques used for the design testing and deployment of communication systems It further explores software simulation and modeling tools like MATLAB GNU Octave Mathematica and Python for modeling simulation and

detailed analysis leading to comprehensive insights into communication systems The book explains topics such as source coding pulse demodulation systems and the principle of sampling and aliasing This book Discusses modern techniques including analog and digital filter design and modulation principles including quadrature amplitude modulation and differential phase shift keying Covers filter design using MATLAB system simulation using Simulink signal processing toolbox linear time invariant systems and non linear time variant systems Explains important pulse keying techniques including Gaussian minimum shift keying and quadrature phase shift keying Presents signal processing tools and techniques for communication systems design modeling simulation and deployment Illustrates topics such as software defined radio SDR systems spectrum sensing and automated modulation sensing The text is primarily written for senior undergraduates graduate students and academic researchers in the fields of electrical engineering electronics and communication engineering computer science and engineering

Recent Trends and Applications of Soft Computing in Engineering (RTASCE)— Sarajevo Benjamin Duraković, Ali Abd Almisreb, Jasmin Šutković, 2025-04-29 Recent Trends and Applications of Soft Computing in Engineering RTASCE a key resource showcasing research and development in engineering Created at the inaugural RTASCE conference in Sarajevo this edited volume brings together leading scholars and researchers to explore the transformative applications of soft computing in a variety of fields With topics ranging from artificial intelligence and the Internet of Things IoT to machine learning this book offers practical applications and insight into future trends making it an invaluable addition to any academic library This book bridges the biological sciences and engineering through programming encouraging interdisciplinary collaboration Structured into five main sections including artificial intelligence IoT communication systems bioengineering and manufacturing management RTASCE not only highlights real world case studies and expert perspectives but also provides practical guidance for practitioners looking to integrate soft computing techniques into their work

Vibration Engineering for a Sustainable Future Sebastian Oberst, Benjamin Halkon, Jinchen Ji, Terry Brown, 2020-12-19 This volume presents the proceedings of the Asia Pacific Vibration Conference APVC 2019 emphasizing work devoted to Vibration Engineering for a Sustainable Future The APVC is one of the larger conferences held biannually with the intention to foster scientific and technical research collaboration among Asia Pacific countries The APVC provides a forum for researchers practitioners and students from but not limited to areas around the Asia Pacific countries in a collegial and stimulating environment to present discuss and disseminate recent advances and new findings on all aspects of vibration and noise their control and utilization All aspects of vibration acoustics vibration and noise control vibration utilization fault diagnosis and monitoring are appropriate for the conference with the focus this year on the vibration aspects in dynamics and noise vibration This 18th edition of the APVC was held in November 2019 in Sydney Australia The previous seventeen conferences have been held in Japan 85 93 07 Korea 87 97 13 China 89 01 11 17 Australia 91 03 Malaysia 95 05 Singapore 99 New Zealand 09 and Vietnam 15

Radio Receivers for Systems of Fixed and Mobile Communications Vasilij V.

Logvinov, Sergey M. Smolskiy, 2022-05-13 The textbook acquaints the reader with the architecture of receivers of analog and digital radio systems helps to study the stages of designing a modern radio receiver and reveals the reasons and methods for its effective operation in networks for various purposes Particular attention is paid to the methods of generating and processing signals in the receivers of digital systems with multiple access which make it possible to provide data transfer rates close to the maximum possible according to Shannon As a textbook for students studying methods of optimal signal reception the book will also be useful to specialists in the field of telecommunications involved in the development of radio receivers The book shows how the development of theoretical circuitry and integrated technologies led to the active introduction of algorithmic methods for signal processing changed both the design of receivers and the methods of forming the information flow in free space MIMO beamforming The creation of a global 5G network based on heterogeneous networks puts forward new requirements for the architecture of receivers which are determined by the requirements to achieve high data rates low time delays or use in networks with coordinated multipoint transmission and reception CoMP To consolidate the knowledge gained the book includes a complete set of materials for online classes including questions and answers a guide to solving problems for each chapter and computer modeling units of receivers in the MicroCAP

environment based on preliminary calculations Developing MATLAB Comprehensive Simulation for 5G/6G Wireless Communications Phuong T. Tran, Tan N. Nguyen, Lam-Thanh Tu, 2026-01-08 This book introduces how to build an integrated simulation tool on the MATLAB platform to simulate advanced techniques at the physical layer of 5G and 6G networks such as modulation multiple access energy saving technologies massive MIMO physical layer security cognitive radio and artificial intelligence This simulation tool has a user friendly interactive interface with usage instructions and outputs graphs to evaluate the performance of each method The goal of the simulations is to achieve results related to performance indicators at the physical layer such as outage probability throughput bit error rate or frame error rate and security capacity This book helps the readers learn how to build a simulation framework for evaluating advanced 5G 6G technologies by themselves and apply them to their research **5G NR Modelling in MATLAB** Tulsi Pawan Fowdur, Madhavsingh Indoonundon, Dragorad A. Milovanovic, Zoran S. Bojkovic, 2024-06-30 5G is the fifth generation of wireless technology and NR stands for a new radio interface and radio access technology for cellular networks i e a physical connection method for radio based communication It is a powerful platform that supports a wide range of services that includes enhanced mobile broadband massive machine type communication and ultra reliability and low latency covering several vertical industries such as e health transportation energy media and factories automation This book provides a detailed description of the fundamental aspects of 5G It gives an in depth coverage of the network architecture of 5G by considering both the network reference point architecture and the service based architecture It also describes all the user and control plane protocols including the standalone and non standalone architecture options The radio access technologies such as the waveforms used in 5G the multi access and

duplexing techniques as well as the resource allocation schemes are treated in details. Additionally, the physical layer signal processing blocks of 5G NR are covered in depth with elaborate numerical examples to illustrate the functioning of each block in the 5G downlink transmitter and receiver chain. The main originality of this book is the detailed illustration of the 5G NR pre-processing steps as well as Matlab simulation models with explanation on the codes to allow for a seamless understanding of the principles. In general, this book is meant for anyone with a basic engineering background who would be interested to acquire a solid foundation in the fundamental concepts of 5G NR.

5G Wireless Systems Yang Yang, Jing Xu, Guang Shi, Cheng-Xiang Wang, 2017-09-14. This book focuses on key simulation and evaluation technologies for 5G systems. Based on the most recent research results from academia and industry, it describes the evaluation methodologies in depth for network and physical layer technologies. The evaluation methods are discussed in depth. It also covers the analysis of the 5G candidate technologies and the testing challenges, the evolution of the testing technologies, fading channel measurement and modeling, software simulations, software hardware cosimulation, field testing, and other novel evaluation methods. The fifth generation 5G mobile communications system targets highly improved network performances in terms of the network capacity and the number of connections. Testing and evaluation technologies is widely recognized and plays important roles in the wireless technology developments along with the research on basic theory and key technologies. The investigation and developments on the multi-level and comprehensive evaluations for 5G new technologies provides important performance references for the 5G technology filtering and future standardizations. Students focused on telecommunications, electronic engineering, computer science, or other related disciplines will find this book useful as a secondary text. Researchers and professionals working within these related fields will also find this book useful as a reference.

Cloud Based 5G Wireless Networks Yin Zhang, Min Chen, 2016-11-09. This SpringerBrief introduces key techniques for 5G wireless networks. The authors cover the development of wireless networks that led to 5G and how 5G mobile communication technology. 5G can no longer be defined by a single business model or a typical technical characteristic. The discussed networks, functions, and services include Network Foundation Virtualization, NFV, Cloud Radio Access Networks, Cloud RAN, and Mobile Cloud Networking (MCN). The benefits of cloud platforms are examined, as are definable networking and green wireless networking. Other related and representative projects on 5G are mobile and wireless communications enablers for the Twenty-Twenty Information Society, Multi-hop Cellular Networks, Network Function as a Service over Virtualized Infrastructures (iJOIN), and Nuage Virtualized Services Platform. Major applications of 5G range from RAN sharing and Multi-Operator Core Networks to mobile convergence. Enhancing the user experience by providing smart and customized services, 5G will support the explosive growth of big data, mobile internet, digital media, and system efficiency. This SpringerBrief is designed for professionals, researchers, and academics working in networks or system applications. Advanced level students of computer science or computer engineering will also find the content valuable.

Design Methodologies and

Tools for 5G Network Development and Application Suresh, P., Vairavel, G., Saravanakumar, U., 2020-12-25 The demand for mobile broadband will continue to increase in upcoming years largely driven by the need to deliver ultra high definition video 5G is not only evolutionary it also provides higher bandwidth and lower latency than the current generation technology More importantly 5G is revolutionary in that it is expected to enable fundamentally new applications with much more stringent requirements in latency and bandwidth 5G should help solve the last mile last kilometer problem and provide broadband access to the next billion users on earth at a much lower cost because of its use of new spectrum and its improvements in spectral efficiency 5G wireless access networks will need to combine several innovative aspects of decentralized and centralized allocation looking to maximize performance and minimize signaling load Research is currently conducted to understand the inspirations requirements and the promising technical options to boost and enrich activities in 5G Design Methodologies and Tools for 5G Network Development and Application presents the enhancement methods of 5G communication explores the methods for faster communication and provides a promising alternative solution that equips designers with the capability to produce high performance scalable and adoptable communication protocol This book provides complete design methodologies supporting tools for 5G communication and innovative works The design and evaluation of different proposed 5G structures signal integrity reliability low power techniques application mapping testing and future trends This book is ideal for researchers who are working in communication networks design and implementations industry personnel engineers practitioners academicians and students who are interested in the evolution importance usage and technology adoption for 5G applications *5G Outlook - Innovations and Applications* Ramjee Prasad, 2024-10-21

Channel Modeling in 5G Wireless Communication Systems Hao Jiang, Guan Gui, 2019-12-02 This book addresses the fundamental design and technical challenges for fifth generation 5G wireless channel models including multi frequency bands and multi scenarios The book presents a strong vision for 5G wireless communication networks based on current market trends proven technologies and future directions The book helps enable researchers and industry professionals to come up with novel ideas in the area of wireless heterogeneity to minimize traffic accidents to improve traffic efficiency and to foster the development of new applications such as mobile infotainment The book acts as a comprehensive reference for students instructors researchers engineers and other professionals building their understanding of 5G and in designing 5G systems Addresses fundamental design and technical challenges for 5G wireless channel models Presents how to create reliable statistical channel models to capture the propagation properties between transmitters and receivers Pertinent to researchers engineers and professionals in 5G **Fundamentals of 5G Mobile Networks** Jonathan Rodriguez, 2015-04-27 Fundamentals of 5G Mobile Networks provides an overview of the key features of the 5th Generation 5G mobile networks discussing the motivation for 5G and the main challenges in developing this new technology This book provides an insight into the key areas of research that will define this new system technology paving the path towards future research and

development The book is multi disciplinary in nature and aims to cover a whole host of intertwined subjects that will predominantly influence the 5G landscape including the future Internet cloud computing small cells and self organizing networks SONs cooperative communications dynamic spectrum management and cognitive radio Broadcast Broadband convergence 5G security challenge and green RF This book aims to be the first of its kind towards painting a holistic perspective on 5G Mobile allowing 5G stakeholders to capture key technology trends on different layering domains and to identify potential inter disciplinary design aspects that need to be solved in order to deliver a 5G Mobile system that operates seamlessly

Signal Processing for 5G Fa-Long Luo,Charlie Jianzhong Zhang,2016-08-11 A comprehensive and invaluable guide to 5G technology implementation and practice in one single volume For all things 5G this book is a must read Signal processing techniques have played the most important role in wireless communications since the second generation of cellular systems It is anticipated that new techniques employed in 5G wireless networks will not only improve peak service rates significantly but also enhance capacity coverage reliability low latency efficiency flexibility compatibility and convergence to meet the increasing demands imposed by applications such as big data cloud service machine to machine M2M and mission critical communications This book is a comprehensive and detailed guide to all signal processing techniques employed in 5G wireless networks Uniquely organized into four categories New Modulation and Coding New Spatial Processing New Spectrum Opportunities and New System level Enabling Technologies it covers everything from network architecture physical layer down link and up link protocols and air interface to cell acquisition scheduling and rate adaption access procedures and relaying to spectrum allocations All technology aspects and major roadmaps of global 5G standard development and deployments are included in the book Key Features Offers step by step guidance on bringing 5G technology into practice by applying algorithms and design methodology to real time circuit implementation taking into account rapidly growing applications that have multi standards and multi systems Addresses spatial signal processing for 5G in particular massive multiple input multiple output massive MIMO FD MIMO and 3D MIMO along with orbital angular momentum multiplexing 3D beamforming and diversity Provides detailed algorithms and implementations and compares all multicarrier modulation and multiple access schemes that offer superior data transmission performance including FBMC GFDM F OFDM UFMC SEFDM FTN MUSA SCMA and NOMA Demonstrates the translation of signal processing theories into practical solutions for new spectrum opportunities in terms of millimeter wave full duplex transmission and license assisted access Presents well designed implementation examples from individual function block to system level for effective and accurate learning Covers signal processing aspects of emerging system and network architectures including ultra dense networks UDN software defined networks SDN device to device D2D communications and cloud radio access network C RAN

5G NR Sassan Ahmadi,2019-06-18 5G NR Architecture Technology Implementation and Operation of 3GPP New Radio Standards is an in depth systematic technical reference on 3GPP s New Radio standards Release 15 and beyond covering the

underlying theory functional descriptions practical considerations and implementation of the 5G new radio access technology The book describes the design and operation of individual components and shows how they are integrated into the overall system and operate from a system s perspective Uniquely this book gives detailed information on RAN protocol layers transports network architectures and services as well as practical implementation and deployment issues making it suitable for researchers and engineers who are designing and developing 5G systems Reflecting on the author s 30 plus years of experience in signal processing microelectronics and wireless communication system design this book is ideal for professional engineers researchers and graduate students who are working and researching in cellular communication systems and protocols as well as mobile broadband wireless standards

Index Modulation for 5G Wireless

Communications Miaowen Wen,Xiang Cheng,Liuqing Yang,2016-12-23 This book presents a thorough examination of index modulation an emerging 5G modulation technique It includes representative transmitter and receiver design optimization and performance analysis of index modulation in various domains First the basic spatial modulation system for the spatial domain is introduced Then the development of a generalized pre coding aided quadrature spatial modulation system as well as a virtual spatial modulation system are presented For the space time domain a range of differential spatial modulation systems are examined along with the pre coding design Both basic and enhanced index modulated OFDM systems for the frequency domain are discussed focusing on the verification of their strong capabilities in inter carrier interference mitigation Finally key open problems are highlighted and future research directions are considered Designed for researchers and professionals this book is essential for anyone working in communications networking 5G and system design Advanced level students of engineering and computer science interested in efficiency techniques will also find the content valuable

An Introduction to 5G Wireless Networks Saro Velrajan,2020-07-01 An Introduction to 5G Wireless Networks book is for students engineers managers and for marketing sales executives to develop a good understanding of the 5G technology This book covers the 5G architecture 5G New Radio NR 5G Next Generation Core NG Core Network Slicing Virtualization of 5G Components Multi access Edge Computing MEC and the various 5G use cases This book provides details on the evolution of the wireless networks from 1G to 5G status of 5G deployments and the 5G marketplace standard bodies open source communities and vendors After reading this book you will be able to have discussions with customers interviewers and other stakeholders on the 5G concepts ecosystem and use cases

5G and Beyond Wireless Networks Indrasen Singh,Shubham Tayal,Niraj Pratap Singh,Vijay Shanker Tripathi,Ghanshyam Singh,2024-02-26 5G and Beyond Wireless Networks Technology Network Deployments and Materials for Antenna Design offers a comprehensive overview of 5G and beyond 5G wireless networks along with emerging technologies that support the design and development of wireless networks It also includes discussions on various materials used for practical antenna design which are suitable for 5G beyond 5G applications and cell free massive MIMO systems The book discusses the latest techniques used in 5G and beyond 5G B5G communication such as

non orthogonal multiple access NOMA device to device D2D communication 6G ultra dense O RAN rate splitting multiple access RSMA simultaneous wireless information and power transfer SWIPT massive multiple input multiple output mMIMO and cell free massive MIMO systems which are explained in detail for 5G and beyond cellular networks The description of NOMA and their benefit for 5G and beyond networks is also addressed along with D2D communication for next generation cellular networks RSMA technique is also explained for 6G communication Detailed descriptions for the design and development of 5G and beyond networks over various techniques are included The materials specification to design antenna for 5G application are also given The role of metatens in designing effective antennas and material specifications for 5G applications is explained in this book Apart from the above emerging topics this book also gives ideas about intelligent communication Internet of Multimedia Things IOMT millimeter wave MIMO UFMC and fog computing cloud networks The last chapter gives details about the legal frameworks for 5G technology for responsible and sustainable deployment Overall this book may benefit network design engineers and researchers working in the area of next generation cellular networks The contents of this book will be helpful for young researchers and master students and network design engineers who are working in the area of next generation cellular networks

5G System Design Wan Lei,Anthony C.K. Soong,Liu Jianghua,Wu Yong,Brian Classon,Weimin Xiao,David Mazzaresse,Zhao Yang,Tony Saboorian,2021-08-11 This book presents a detailed pedagogical description of the 5G commercial wireless communication system design from an end to end perspective by those that were intimate with its development The exposition only assumes that the reader is passingly familiar with LTE and builds upon that knowledge By comparing and contrasting NR with LTE it allows for quick mastering of 5G As such it gives concise and highly accessible description of the key technologies in the 5G physical layer radio access network layer protocols and procedures how the 5G core and EPC is integrated into the radio access network how virtualization slicing and edge computer will fundamentally change the way we interact with the network as well as 5G spectrum issues The 2nd edition of this book significantly enhances and updates the first edition by adding 5G security and Release 16 developments Loosely speaking 5G Release 15 can be characterized as being optimized for the cellular carrier eMBB service while 5G Release 16 is the beginning of the optimization of 5G for the vertical industries It mainly focused on the support of the vehicular vertical and Industrial Internet of Things As such we have significantly altered the first edition to cover the key features standardized in Release 16 including URLLC V2X IIoT enhanced MIMO unlicensed access positioning power savings and IAB On the network side detailed discussion covers NR security as well as the newly standardized access traffic steering non 3GPP access switching and splitting features non 3GPP access network support and private networks Engineers computer scientists and professionals from those with a passing knowledge of 4G LTE to experts in the field will find this book to be a valuable asset They will gain a comprehensive understanding of the end to end 5G commercial wireless system Advanced level students and researchers studying and working in communication engineering who want to gain an

understanding of the 5G system as well as methodologies to evaluate features and technologies intended to supplement 5G will also find this book to be a valuable resource

Recognizing the showing off ways to acquire this books **5g Wireless Technology Development Matlab Simulink** is additionally useful. You have remained in right site to begin getting this info. get the 5g Wireless Technology Development Matlab Simulink belong to that we offer here and check out the link.

You could buy guide 5g Wireless Technology Development Matlab Simulink or acquire it as soon as feasible. You could speedily download this 5g Wireless Technology Development Matlab Simulink after getting deal. So, similar to you require the ebook swiftly, you can straight acquire it. Its therefore no question simple and hence fats, isnt it? You have to favor to in this space

https://py.bijouxmedusa.com/book/virtual-library/fetch.php/step_by_step_for_small_business_28_2277_coding_for_beginners_strategies.pdf

Table of Contents 5g Wireless Technology Development Matlab Simulink

1. Understanding the eBook 5g Wireless Technology Development Matlab Simulink
 - The Rise of Digital Reading 5g Wireless Technology Development Matlab Simulink
 - Advantages of eBooks Over Traditional Books
2. Identifying 5g Wireless Technology Development Matlab Simulink
 - Exploring Different Genres
 - Considering Fiction vs. Non-Fiction
 - Determining Your Reading Goals
3. Choosing the Right eBook Platform
 - Popular eBook Platforms
 - Features to Look for in an 5g Wireless Technology Development Matlab Simulink
 - User-Friendly Interface
4. Exploring eBook Recommendations from 5g Wireless Technology Development Matlab Simulink
 - Personalized Recommendations
 - 5g Wireless Technology Development Matlab Simulink User Reviews and Ratings

- 5g Wireless Technology Development Matlab Simulink and Bestseller Lists
- 5. Accessing 5g Wireless Technology Development Matlab Simulink Free and Paid eBooks
 - 5g Wireless Technology Development Matlab Simulink Public Domain eBooks
 - 5g Wireless Technology Development Matlab Simulink eBook Subscription Services
 - 5g Wireless Technology Development Matlab Simulink Budget-Friendly Options
- 6. Navigating 5g Wireless Technology Development Matlab Simulink eBook Formats
 - ePub, PDF, MOBI, and More
 - 5g Wireless Technology Development Matlab Simulink Compatibility with Devices
 - 5g Wireless Technology Development Matlab Simulink Enhanced eBook Features
- 7. Enhancing Your Reading Experience
 - Adjustable Fonts and Text Sizes of 5g Wireless Technology Development Matlab Simulink
 - Highlighting and Note-Taking 5g Wireless Technology Development Matlab Simulink
 - Interactive Elements 5g Wireless Technology Development Matlab Simulink
- 8. Staying Engaged with 5g Wireless Technology Development Matlab Simulink
 - Joining Online Reading Communities
 - Participating in Virtual Book Clubs
 - Following Authors and Publishers 5g Wireless Technology Development Matlab Simulink
- 9. Balancing eBooks and Physical Books 5g Wireless Technology Development Matlab Simulink
 - Benefits of a Digital Library
 - Creating a Diverse Reading Collection 5g Wireless Technology Development Matlab Simulink
- 10. Overcoming Reading Challenges
 - Dealing with Digital Eye Strain
 - Minimizing Distractions
 - Managing Screen Time
- 11. Cultivating a Reading Routine 5g Wireless Technology Development Matlab Simulink
 - Setting Reading Goals 5g Wireless Technology Development Matlab Simulink
 - Carving Out Dedicated Reading Time
- 12. Sourcing Reliable Information of 5g Wireless Technology Development Matlab Simulink
 - Fact-Checking eBook Content of 5g Wireless Technology Development Matlab Simulink
 - Distinguishing Credible Sources

13. Promoting Lifelong Learning
 - Utilizing eBooks for Skill Development
 - Exploring Educational eBooks
14. Embracing eBook Trends
 - Integration of Multimedia Elements
 - Interactive and Gamified eBooks

5g Wireless Technology Development Matlab Simulink Introduction

In the digital age, access to information has become easier than ever before. The ability to download 5g Wireless Technology Development Matlab Simulink has revolutionized the way we consume written content. Whether you are a student looking for course material, an avid reader searching for your next favorite book, or a professional seeking research papers, the option to download 5g Wireless Technology Development Matlab Simulink has opened up a world of possibilities. Downloading 5g Wireless Technology Development Matlab Simulink provides numerous advantages over physical copies of books and documents. Firstly, it is incredibly convenient. Gone are the days of carrying around heavy textbooks or bulky folders filled with papers. With the click of a button, you can gain immediate access to valuable resources on any device. This convenience allows for efficient studying, researching, and reading on the go. Moreover, the cost-effective nature of downloading 5g Wireless Technology Development Matlab Simulink has democratized knowledge. Traditional books and academic journals can be expensive, making it difficult for individuals with limited financial resources to access information. By offering free PDF downloads, publishers and authors are enabling a wider audience to benefit from their work. This inclusivity promotes equal opportunities for learning and personal growth. There are numerous websites and platforms where individuals can download 5g Wireless Technology Development Matlab Simulink. These websites range from academic databases offering research papers and journals to online libraries with an expansive collection of books from various genres. Many authors and publishers also upload their work to specific websites, granting readers access to their content without any charge. These platforms not only provide access to existing literature but also serve as an excellent platform for undiscovered authors to share their work with the world. However, it is essential to be cautious while downloading 5g Wireless Technology Development Matlab Simulink. Some websites may offer pirated or illegally obtained copies of copyrighted material. Engaging in such activities not only violates copyright laws but also undermines the efforts of authors, publishers, and researchers. To ensure ethical downloading, it is advisable to utilize reputable websites that prioritize the legal distribution of content. When downloading 5g Wireless Technology Development Matlab Simulink, users should also consider the potential security risks associated with online platforms. Malicious actors may exploit vulnerabilities in unprotected websites

to distribute malware or steal personal information. To protect themselves, individuals should ensure their devices have reliable antivirus software installed and validate the legitimacy of the websites they are downloading from. In conclusion, the ability to download 5g Wireless Technology Development Matlab Simulink has transformed the way we access information. With the convenience, cost-effectiveness, and accessibility it offers, free PDF downloads have become a popular choice for students, researchers, and book lovers worldwide. However, it is crucial to engage in ethical downloading practices and prioritize personal security when utilizing online platforms. By doing so, individuals can make the most of the vast array of free PDF resources available and embark on a journey of continuous learning and intellectual growth.

FAQs About 5g Wireless Technology Development Matlab Simulink Books

How do I know which eBook platform is the best for me? Finding the best eBook platform depends on your reading preferences and device compatibility. Research different platforms, read user reviews, and explore their features before making a choice. Are free eBooks of good quality? Yes, many reputable platforms offer high-quality free eBooks, including classics and public domain works. However, make sure to verify the source to ensure the eBook credibility. Can I read eBooks without an eReader? Absolutely! Most eBook platforms offer webbased readers or mobile apps that allow you to read eBooks on your computer, tablet, or smartphone. How do I avoid digital eye strain while reading eBooks? To prevent digital eye strain, take regular breaks, adjust the font size and background color, and ensure proper lighting while reading eBooks. What the advantage of interactive eBooks? Interactive eBooks incorporate multimedia elements, quizzes, and activities, enhancing the reader engagement and providing a more immersive learning experience. 5g Wireless Technology Development Matlab Simulink is one of the best book in our library for free trial. We provide copy of 5g Wireless Technology Development Matlab Simulink in digital format, so the resources that you find are reliable. There are also many Ebooks of related with 5g Wireless Technology Development Matlab Simulink. Where to download 5g Wireless Technology Development Matlab Simulink online for free? Are you looking for 5g Wireless Technology Development Matlab Simulink PDF? This is definitely going to save you time and cash in something you should think about. If you trying to find then search around for online. Without a doubt there are numerous these available and many of them have the freedom. However without doubt you receive whatever you purchase. An alternate way to get ideas is always to check another 5g Wireless Technology Development Matlab Simulink. This method for see exactly what may be included and adopt these ideas to your book. This site will almost certainly help you save time and effort, money and stress. If you are looking for free books then you really should consider finding to assist you try this. Several of 5g Wireless Technology Development Matlab Simulink are for sale to free while some are payable. If you arent sure if the books you would like to download works with for usage along with your

computer, it is possible to download free trials. The free guides make it easy for someone to free access online library for download books to your device. You can get free download on free trial for lots of books categories. Our library is the biggest of these that have literally hundreds of thousands of different products categories represented. You will also see that there are specific sites catered to different product types or categories, brands or niches related with 5g Wireless Technology Development Matlab Simulink. So depending on what exactly you are searching, you will be able to choose e books to suit your own need. Need to access completely for Campbell Biology Seventh Edition book? Access Ebook without any digging. And by having access to our ebook online or by storing it on your computer, you have convenient answers with 5g Wireless Technology Development Matlab Simulink To get started finding 5g Wireless Technology Development Matlab Simulink, you are right to find our website which has a comprehensive collection of books online. Our library is the biggest of these that have literally hundreds of thousands of different products represented. You will also see that there are specific sites catered to different categories or niches related with 5g Wireless Technology Development Matlab Simulink So depending on what exactly you are searching, you will be able to choose ebook to suit your own need. Thank you for reading 5g Wireless Technology Development Matlab Simulink. Maybe you have knowledge that, people have search numerous times for their favorite readings like this 5g Wireless Technology Development Matlab Simulink, but end up in harmful downloads. Rather than reading a good book with a cup of coffee in the afternoon, instead they juggled with some harmful bugs inside their laptop. 5g Wireless Technology Development Matlab Simulink is available in our book collection an online access to it is set as public so you can download it instantly. Our digital library spans in multiple locations, allowing you to get the most less latency time to download any of our books like this one. Merely said, 5g Wireless Technology Development Matlab Simulink is universally compatible with any devices to read.

Find 5g Wireless Technology Development Matlab Simulink :

[step by step for small business 28-2277](#) [coding for beginners strategies](#)
[step for startups 28-1688](#) [SEO strategy step by step for startups 28-2089](#)
resume writing ideas for creators 28-127 **resume writing ideas for**
[investing review USA 28-176](#) [real estate investing review United States](#)
[entrepreneurs 28-2119](#) [weight loss guide America 28-853](#) [weight loss guide](#)
[28-580](#) [YouTube growth tutorial America 28-780](#) [YouTube growth tutorial](#)
[marketing roadmap for entrepreneurs 28-1649](#) [TikTok marketing roadmap for](#)
[28-1320](#) [business automation strategies United States 28-1863](#) [business](#)
cloud computing ideas for entrepreneurs 28-1906 **cloud computing ideas**

**startups 28-2209 AI marketing software America 28-1083 AI marketing
crypto trading examples United States 28-2734 crypto trading examples
smart home tech trends for creators 28-1641 startup funding apps United
business 28-2100 luxury travel comparison USA 28-669 luxury travel
ideas comparison for startups 28-188 mobile app ideas comparison for
checklist United States 28-454 AI marketing checklist for creators**

5g Wireless Technology Development Matlab Simulink :

frequently asked questions nebosh - Feb 13 2023

apr 6 2022 get the solved paper for nebosh igc exam held on 6 april 2022 boost your preparation with comprehensive answers

obe sample paper ng1 nebosh - Sep 27 2021

nebosh questions answers hse study notes - Oct 29 2021

nebosh scenario based assessments - Oct 09 2022

national versus international nebosh courses which is right for you this post breaks down how to answer scenario based assessments one of the main types of questions you ll

nebosh exam interview questions and answers hse study - Mar 02 2022

what does nebosh mean national examination board in occupational safety and health nebosh is an independent examination board delivering vocational qualifications in health

nebosh interview questions and answers hse study guide - Sep 08 2022

feb 8 2023 your nebosh learner number your learning partner s name page numbers for all pages question numbers next to each of your responses you do not need to copy out the

how to pass the nebosh diploma nd1 assessment updated - Jan 12 2023

the sba contains two parts a scenario a narrative which outlines a workplace environment and situation and a series of tasks or questions which partly or wholly rely on the scenario the

how to answer nebosh scenario based assessments - Jul 06 2022

globally recognised health safety environmental qualifications the national examination board in occupational safety and health nebosh is an awarding body established in 1979

[full form of nebosh fullforms](#) - Nov 29 2021

nebosh igc 1 questions and answers pdf updated 2022 - Feb 01 2022

nebosh igc 1 examiners reports questions answers element 2 health and safety management systems policy question describe the key features and appropriate content of

nebosh latest past paper 2022 to 2023 iss international - Sep 20 2023

feb 26 2023 our latest nebosh past paper is now available for download below this past paper includes questions from the most recent nebosh exams providing you with an

nebosh open book exam questions and answers - Jun 17 2023

nd1 sample assessment 16 april 2021 support materials 281kb pdf nebosh unit nd1 sample assessment part of the national diploma for occupational health and safety

easy nebosh igc exam questions and answers 2023 - Aug 07 2022

management of international health and safety unit igc1 for nebosh international general certificate in occupational health and safety nebosh international

nc1 sample answer sheet nebosh - Aug 19 2023

12 july 2021 support materials 70kb docx nc1 sample answer sheet for the open book examination version 1 july 2021 your download should start automatically if not download

nebosh igc questions and answers 2023 hse - Jul 18 2023

example question paper and examiners feedback on expected answers unit ngc1 management of health and safety for nebosh national general certificate in

nebosh open book exam question breakdown and - Mar 14 2023

the nebosh diploma exam requires you to answer all six 10 mark questions from section a and three 20 mark questions from a selection of 5 questions for part b by now you should

nebosh igc 6 april 2022 solved paper occupational health - Nov 10 2022

easy nebosh igc exam questions and answers 2023 hse study guide understanding the nebosh igc exam format the nebosh igc exam typically consists of two main units

[nd1 sample assessment nebosh](#) - Apr 15 2023

thinking about it tackle the nd1 assessment with confidence with astutis updated 2022 guide september 2021 in may 2023 the syllabus of the nebosh diploma changed for more

[how to plan and answer your nebosh diploma exam](#) - Dec 11 2022

top 10 nebosh interview questions and answers here are the top 10 nebosh interview questions that are frequently asked by employers along with expert crafted answers to help

[what is nebosh idiot s guide explains all rospa workplace](#) - Dec 31 2021

8 july 2020 support materials 63kb pdf open book assessment sample paper ng1 ngc1 your download should start automatically if not download directly

[home nebosh](#) - Apr 03 2022

oct 20 2012 the nebosh diploma is a prestigious and highly respected qualification ultimately enabling chartered cmiosh status divided into four units three assessed by

[nebosh ig1 open book exams answers for 8th february 2023](#) - Jun 05 2022

nebosh exam interview questions in the world of occupational health and safety the nebosh national examination board in occupational safety and health

[example question paper and examiners feedback on expected](#) - May 16 2023

find answers to frequently asked questions about the nebosh open book examination including how to register and when you will receive results

[2023 nebosh question paper pdf first aid scribd](#) - May 04 2022

nebosh igc 1 questions and answers pdf updated 2022 5 00 download nebosh igc 1 questions and answers in pdf format the pdf consists of 67 questions from past

krampus playing cards etsy - Nov 15 2022

web check out our krampus playing cards selection for the very best in unique or custom handmade pieces from our card games shops

krampus playing cards youtube - Jan 05 2022

web jan 12 2020 krampus playing cards with 52 cards with vintage design unboxing of playing cards deck and full flip through of the deck its beautiful linen finish card stoc

krampus cards set 1 youtube - Aug 12 2022

web the krampus playing cards set 1 which can be used as a tarot deck or oracle if one is able to read playing cards or intuit meanings through images each of

[krampus playing cards set one cards amazon com](#) - Aug 24 2023

web nov 15 2013 krampus playing cards set one beauchamp monte on amazon com free shipping on qualifying offers krampus playing cards set one

kindle online pdf krampus playing cards set one for ipad - Apr 08 2022

web read the latest magazines about kindle online pdf krampus playing cards set one for ipad and discover magazines on yumpu com

[krampus playing cards set two cards sept 1 2017 amazon ca](#) - Sep 13 2022

web a deck of playing cards featuring 52 different krampus images high quality printing and lamination this deck contains an all new set of images different from the first

krampus playing cards set one cards nov 15 2013 amazon ca - Jun 22 2023

web krampus playing cards set one beauchamp monte 9780867197921 books amazon ca

[krampus board game boardgamegeek](#) - May 09 2022

web krampus is a werewolf mafia re theme for the holidays where some players are krampusz a race of alpine christmas demons who abduct naughty children and carry them off to their lair to eat most of the players though are children who are trying to tattle to the parent the moderator about the right krampusz there are also a variety of other christmas roles

krampus card set etsy - Dec 16 2022

web check out our krampus card set selection for the very best in unique or custom handmade pieces from our blank cards shops

amazon com customer reviews krampus playing cards set two - Jul 11 2022

web find helpful customer reviews and review ratings for krampus playing cards set two at amazon com read honest and unbiased product reviews from our users

krampus playing cards set two cards september 1 2017 - Jul 23 2023

web sep 1 2017 krampus playing cards set two cards september 1 2017 a deck of playing cards featuring 52 different krampus images high quality printing and lamination this deck contains an all new set of images different from the first the images are reproduced from vintage pre wwi krampus postcards

[krampus playing cards 52 vintage designs set one and two](#) - Oct 14 2022

web find many great new used options and get the best deals for krampus playing cards 52 vintage designs set one and two from old postcards at the best online prices at ebay free shipping for many products

krampus greeting cards set one 20 assorted cards in deluxe tin - Mar 07 2022

web krampus greeting cards set one 20 assorted cards in deluxe tin 14 ratings arrow drop down 4 9 out of 5 we search the most popular review sites and give you one score you can trust part of the krampus series by monte beauchamp select format hardcover out of stock product is currently out of stock

krampus playing cards set one krampus playing card deck - Jun 10 2022

web jun 28 2019 jun 29 2019 krampus playing cards set one beauchamp monte on amazon com free shipping on qualifying

offers krampus playing cards set one

krampus playing cards set one karten 15 november 2013 amazon de - May 21 2023

web krampus playing cards set one beauchamp monte isbn 9780867197921 kostenloser versand für alle bücher mit versand und verkauf duch amazon

krampus greeting cards set one 20 assorted cards in deluxe tin - Feb 18 2023

web nov 15 2012 in the early christmas traditions of europe the krampus was st nikolaus dark servant a hairy horned supernatural beast whose pointed ears and long slithering tongue gave misbehavers the creeps this collection of vintage krampus images includes 20 cards two each of 10 different designs

krampus playing cards set one cards 15 nov 2013 amazon de - Mar 19 2023

web krampus playing cards set one beauchamp monte amazon de books skip to main content de hello select your address all select the department you want to search in search en hello sign in account lists returns

9780867197921 krampus playing cards set one abebooks - Apr 20 2023

web abebooks com krampus playing cards set one 9780867197921 by beauchamp monte and a great selection of similar new used and collectible books available now at great prices 9780867197921 krampus playing cards set one beauchamp monte 0867197927 abebooks

krampus playing cards set one indigo books music inc - Jan 17 2023

web buy the paperback book krampus playing cards set one by monte beauchamp at indigo ca canada s largest bookstore free shipping and pickup in store on eligible orders a deck of playing cards featuring 52 different krampus images

krampus playing cards set one by monte beauchamp - Feb 06 2022

web may 10th 2020 krampus playing cards set two a deck of playing cards featuring 52 different krampus images high quality printing and lamination this deck mail nocodeapi com 1 10

the complete i ching 10th anniversary edition the definitive - Nov 21 2021

complete i ching 10th anniversary edition powell s books - Mar 26 2022

web sep 12 2023 find many great new used options and get the best deals for the complete i ching 10th anniversary edition the definitive translation by at the best

the complete i ching 10th anniversary edition inner traditions - Apr 07 2023

web new age divination buy new 12 17 rrp 16 99 details save 4 82 28 free returns free delivery saturday 29 july details or fastest delivery tomorrow 27 july

the complete i ching 10th anniversary edition the definitive - Aug 31 2022

web view offers signed copy 2 view offers synopsis about this title about this edition a revised edition of the definitive translation of the world s most important book of

the complete i ching 10th anniversary edition the - Mar 06 2023

web a revised edition of the definitive translation of the world s most important book of divination the first english translation from within the tradition by a chinese taoist master

complete i ching 10th anniversary edition the - Dec 03 2022

web a revised edition of the definitive translation of the worlds most important book of divination the first english translation from within the tradition by a chinese taoist master includes

the complete i ching 10th anniversary edition pdf pdfdrive - Jan 24 2022

the complete i ching 10th anniversary edition the definitive - May 08 2023

web nov 17 2010 this 10th anniversary edition offers a thorough introduction to the history of the i ching how to use it and several new divination methods in depth and easy

the complete i ching 10th anniversary edition - Jan 04 2023

web nov 17 2010 a revised edition of the definitive translation of the world s most important book of divination more than 64 000 copies sold of the first edition the first english

the complete i ching 10th anniversary edition the - Nov 02 2022

web a revised edition of the definitive translation of the world s most important book of divination the first english translation from within the tradition by a chinese taoist master

the complete i ching 10th anniversary edition the definitive - Jun 09 2023

web the complete i ching 10th anniversary edition the definitive translation by taoist master alfred huang kapak resmi değişebilir huang taoist master alfred

the complete i ching 10th anniversary edition the definitive - Jul 10 2023

web the complete i ching 10th anniversary edition the definitive translation by taoist master alfred huang by huang taoist master alfred 2010 hardcover amazon com tr

the complete i ching 10th anniversary edition the - Sep 12 2023

web nov 17 2010 a revised edition of the definitive translation of the world s most important book of divination the first english translation from within the tradition by a chinese

the complete i ching 10th anniversary edition google books - Feb 22 2022

[the complete i ching 10th anniversary edition](#) - Aug 11 2023

web a revised edition of the definitive translation of the world s most important book of divination the first english translation from within the tradition by a chinese taoist master includes translations of the ten wings the commentaries by confucius essential to the i ching s insights translated by the eminent taoist master alfred

[the complete i ching 10th anniversary edition the de](#) - May 28 2022

web a revised edition of the definitive translation of the world s most important book of divination more than 64 000 copies sold of the first edition the first english translation from

the complete i ching 10th anniversary edition the definitive - Apr 26 2022

web nov 17 2010 buy the complete i ching 10th anniversary edition by taoist master alfred huang from waterstones today click and collect from your local waterstones or

[the complete i ching 10th anniversary edition](#) - Oct 01 2022

web this 10th anniversary edition offers a thorough introduction to the history of the i ching how to use it and several new divination methods in depth and easy to reference

the complete i ching 10th anniversary edition the definitive - Jun 28 2022

web nov 17 2010 this 10th anniversary edition offers a thorough introduction to the history of the i ching how to use it and several new divination methods in depth and easy to

the complete i ching 10th anniversary edition by taoist - Dec 23 2021

complete i ching 10th anniversary edition the definitive - Jul 30 2022

web synopsis as a native chinese speaker master huang has imbued this i ching with an accuracy and authenticity not achieved in other english translations he also returns to

the complete i ching 10th anniversary edition by - Feb 05 2023

web a revised edition of the definitive translation of the world s most important book of divination the first english translation from within the tradition by a chinese taoist master