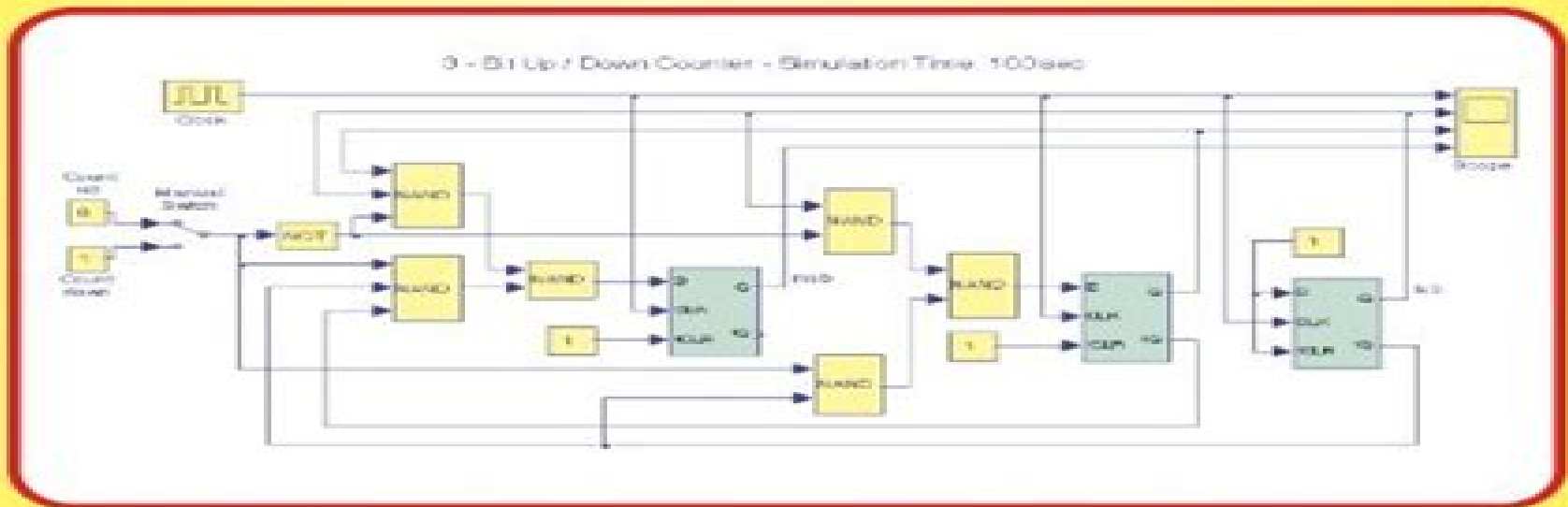


Digital Circuit Analysis and Design with Simulink® Modeling and Introduction to CPLDs and FPGAs

Second Edition

Steven T. Karris



Orchard Publications
www.orchardpublications.com

Circuit Analysis And Design Chapter 2

Padhraic Smyth



Circuit Analysis And Design Chapter 2 :

The Analysis and Design of Linear Circuits Roland E. Thomas, Albert J. Rosa, Gregory J. Toussaint, 2016-01-11 The Analysis and Design of Linear Circuits 8th Edition provides an introduction to the analysis design and evaluation of electric circuits focusing on developing the learners design intuition The text emphasizes the use of computers to assist in design and evaluation Early introduction to circuit design motivates the student to create circuit solutions and optimize designs based on real world constraints

Introduction to Logic Design Sajjan G. Shiva, 2018-10-03 The second edition of this text provides an introduction to the analysis and design of digital circuits at a logic instead of electronics level It covers a range of topics from number system theory to asynchronous logic design A solution manual is available to instructors only Requests must be made on official school stationery

Fundamentals of Electric Circuit Analysis Clayton R. Paul, 2001 Focusing on the development of fundamental skills this new text is designed for a one semester course in the analysis of linear circuits The author meticulously covers the important topics within a sound pedagogical organization while minimizing unnecessary detail so that the student can develop a lasting and sound set of analysis skills The major topics presented include the analysis of resistive circuits including controlled sources and op amps and the analysis of circuits in the sinusoidal steady state phasor analysis Emphasized also is the analysis of circuits in the time domain in response to a disturbance switching operations and the unit step and unit impulse responses and is developed primarily using the Laplace transform A brief description of the classical method of solving the circuit differential equations is included

Introduction to Circuit Analysis and Design Michael D. Ciletti, 1988 [Electronic Circuit Analysis and Design](#) Donald A. Neamen, 2001 This junior level electronics text provides a foundation for analyzing and designing analog and digital electronic circuits Computer analysis and design are recognized as significant factors in electronics throughout the book The use of computer tools is presented carefully alongside the important hand analysis and calculations The author Don Neamen has many years experience as an engineering educator and an engineer His experience shines through each chapter of the book rich with realistic examples and practical rules of thumb The book is divided into three parts Part 1 covers semiconductor devices and basic circuit applications Part 2 covers more advanced topics in analog electronics and Part 3 considers digital electronic circuits

Introduction to Electric Circuits James A. Svoboda, Richard C. Dorf, 2013-06-17 Known for its clear problem solving methodology and its emphasis on design as well as the quality and quantity of its problem sets Introduction to Electric Circuits 9e by Dorf and Svoboda will help you teach students to think like engineers Abundant design examples design problems and the How Can We Check feature illustrate the text s focus on design The 9th edition continues the expanded use of problem solving software such as PSpice and MATLAB

Analysis and Design of Transistor Circuits Laurence G. Cowles, 1966 [Circuit analysis, simulation and design](#) Albert E. Ruehli, 1986 **RF and Microwave Power Amplifier Design** Andrei Grebennikov, 2004-09-15 This is a rigorous tutorial on radio frequency and microwave power

amplifier design teaching the circuit design techniques that form the microelectronic backbones of modern wireless communications systems Suitable for self study corporate training or Senior Graduate classroom use the book combines analytical calculations and computer aided design techniques to arm electronic engineers with every possible method to improve their designs and shorten their design time cycles

Transistor Circuit Analysis and Design John J. Corning,1965

Analysis and Design of Integrated Circuit-Antenna Modules K. C. Gupta,Peter S. Hall,2000 With communications technologies rapidly expanding the traditional separation of electronic circuits and antenna systems design is no longer feasible This book covers various design approaches applicable to integrated circuit antenna modules with the goal of placing the antenna transmitter and receiver all on a single chip It emphasizes analysis and design involving the integration of circuit functions with radiating elements and addresses trends in systems miniaturization

Introduction to Computer Methods for Microwave Circuit Analysis and Design Janusz Dobrowolski,1991 Discusses theory and design of pulsed Doppler radar and MTI with details on clutter clutter modelling and theory of optimum processing and covers topics related to the application of special Doppler signal processing techniques that provide unique features within a radar system

Computer Oriented Circuit Design Franklin F. Kuo,1969

Linear Circuit Analysis Raymond A. DeCarlo, Pen-Min Lin,1995 The combined three volumes of these texts cover traditional linear circuit analysis topics both concepts and computation including the use of available software for problem solution where necessary The text balances emphasis on concepts and calculation so students learn the basic principles and properties that govern circuits behaviour while they gain a firm understanding of how to solve computational techniques they will face in the world of professional engineers

Electric Circuits James William Nilsson,Susan A. Riedel,1996 Part of the Addison Wesley world student series this volume accompanies Using Computer Tools for Electric Circuits and is a comprehensive textbook for an introductory course in electric circuit analysis

Computer Design and Architecture Sajjan G. Shiva,1985

Digital BiCMOS Integrated Circuit Design Sherif H.K. Embabi,Abdellatif Bellaouar,Mohamed I. Elmasry,1993 Digital BiCMOS Integrated Circuit Design is the first book devoted entirely to the analysis and design of digital BiCMOS integrated circuits BiCMOS Integrated Circuit Design also reviews CMOS and CML integrated circuit design The application of BiCMOS in the design of digital subsystems e g adders multipliers RAMs and PLAs is addressed The book also introduces the reader to IC process technology CMOS bipolar and BiCMOS The modeling of both the bipolar and MOS devices are covered Many process device circuit design issues are discussed Digital BiCMOS Integrated Circuit Design can be used by engineers researchers graduate and senior undergraduate students working in the area of digital integrated circuits digital circuits and system design BiCMOS process and device modeling

Elementary Electronics D. Hywel White,1966

Introduction to Operational Amplifier Theory and Applications John V. Wait, Lawrence P. Huelsman, Granino Arthur Korn,1975 For the practicing electrical engineer

Circuit Analysis of A-C Power Systems Edith Clarke,1943

Uncover the mysteries within Crafted by is enigmatic creation, Discover the Intrigue in **Circuit Analysis And Design Chapter 2** . This downloadable ebook, shrouded in suspense, is available in a PDF format (*). Dive into a world of uncertainty and anticipation. Download now to unravel the secrets hidden within the pages.

https://py.bijouxmedusa.com/results/detail/HomePages/smart_home_tech_apps_for_small_business_47_2505_smart_home_tech_best.pdf

Table of Contents Circuit Analysis And Design Chapter 2

1. Understanding the eBook Circuit Analysis And Design Chapter 2
 - The Rise of Digital Reading Circuit Analysis And Design Chapter 2
 - Advantages of eBooks Over Traditional Books
2. Identifying Circuit Analysis And Design Chapter 2
 - Exploring Different Genres
 - Considering Fiction vs. Non-Fiction
 - Determining Your Reading Goals
3. Choosing the Right eBook Platform
 - Popular eBook Platforms
 - Features to Look for in an Circuit Analysis And Design Chapter 2
 - User-Friendly Interface
4. Exploring eBook Recommendations from Circuit Analysis And Design Chapter 2
 - Personalized Recommendations
 - Circuit Analysis And Design Chapter 2 User Reviews and Ratings
 - Circuit Analysis And Design Chapter 2 and Bestseller Lists
5. Accessing Circuit Analysis And Design Chapter 2 Free and Paid eBooks
 - Circuit Analysis And Design Chapter 2 Public Domain eBooks
 - Circuit Analysis And Design Chapter 2 eBook Subscription Services
 - Circuit Analysis And Design Chapter 2 Budget-Friendly Options

6. Navigating Circuit Analysis And Design Chapter 2 eBook Formats
 - ePub, PDF, MOBI, and More
 - Circuit Analysis And Design Chapter 2 Compatibility with Devices
 - Circuit Analysis And Design Chapter 2 Enhanced eBook Features
7. Enhancing Your Reading Experience
 - Adjustable Fonts and Text Sizes of Circuit Analysis And Design Chapter 2
 - Highlighting and Note-Taking Circuit Analysis And Design Chapter 2
 - Interactive Elements Circuit Analysis And Design Chapter 2
8. Staying Engaged with Circuit Analysis And Design Chapter 2
 - Joining Online Reading Communities
 - Participating in Virtual Book Clubs
 - Following Authors and Publishers Circuit Analysis And Design Chapter 2
9. Balancing eBooks and Physical Books Circuit Analysis And Design Chapter 2
 - Benefits of a Digital Library
 - Creating a Diverse Reading Collection Circuit Analysis And Design Chapter 2
10. Overcoming Reading Challenges
 - Dealing with Digital Eye Strain
 - Minimizing Distractions
 - Managing Screen Time
11. Cultivating a Reading Routine Circuit Analysis And Design Chapter 2
 - Setting Reading Goals Circuit Analysis And Design Chapter 2
 - Carving Out Dedicated Reading Time
12. Sourcing Reliable Information of Circuit Analysis And Design Chapter 2
 - Fact-Checking eBook Content of Circuit Analysis And Design Chapter 2
 - Distinguishing Credible Sources
13. Promoting Lifelong Learning
 - Utilizing eBooks for Skill Development
 - Exploring Educational eBooks
14. Embracing eBook Trends
 - Integration of Multimedia Elements

- Interactive and Gamified eBooks

Circuit Analysis And Design Chapter 2 Introduction

Circuit Analysis And Design Chapter 2 Offers over 60,000 free eBooks, including many classics that are in the public domain. Open Library: Provides access to over 1 million free eBooks, including classic literature and contemporary works. Circuit Analysis And Design Chapter 2 Offers a vast collection of books, some of which are available for free as PDF downloads, particularly older books in the public domain. Circuit Analysis And Design Chapter 2 : This website hosts a vast collection of scientific articles, books, and textbooks. While it operates in a legal gray area due to copyright issues, its a popular resource for finding various publications. Internet Archive for Circuit Analysis And Design Chapter 2 : Has an extensive collection of digital content, including books, articles, videos, and more. It has a massive library of free downloadable books. Free-eBooks Circuit Analysis And Design Chapter 2 Offers a diverse range of free eBooks across various genres. Circuit Analysis And Design Chapter 2 Focuses mainly on educational books, textbooks, and business books. It offers free PDF downloads for educational purposes. Circuit Analysis And Design Chapter 2 Provides a large selection of free eBooks in different genres, which are available for download in various formats, including PDF. Finding specific Circuit Analysis And Design Chapter 2 , especially related to Circuit Analysis And Design Chapter 2 , might be challenging as theyre often artistic creations rather than practical blueprints. However, you can explore the following steps to search for or create your own Online Searches: Look for websites, forums, or blogs dedicated to Circuit Analysis And Design Chapter 2 , Sometimes enthusiasts share their designs or concepts in PDF format. Books and Magazines Some Circuit Analysis And Design Chapter 2 books or magazines might include. Look for these in online stores or libraries. Remember that while Circuit Analysis And Design Chapter 2 , sharing copyrighted material without permission is not legal. Always ensure youre either creating your own or obtaining them from legitimate sources that allow sharing and downloading. Library Check if your local library offers eBook lending services. Many libraries have digital catalogs where you can borrow Circuit Analysis And Design Chapter 2 eBooks for free, including popular titles. Online Retailers: Websites like Amazon, Google Books, or Apple Books often sell eBooks. Sometimes, authors or publishers offer promotions or free periods for certain books. Authors Website Occasionally, authors provide excerpts or short stories for free on their websites. While this might not be the Circuit Analysis And Design Chapter 2 full book , it can give you a taste of the authors writing style. Subscription Services Platforms like Kindle Unlimited or Scribd offer subscription-based access to a wide range of Circuit Analysis And Design Chapter 2 eBooks, including some popular titles.

FAQs About Circuit Analysis And Design Chapter 2 Books

1. Where can I buy Circuit Analysis And Design Chapter 2 books? Bookstores: Physical bookstores like Barnes & Noble, Waterstones, and independent local stores. Online Retailers: Amazon, Book Depository, and various online bookstores offer a wide range of books in physical and digital formats.
2. What are the different book formats available? Hardcover: Sturdy and durable, usually more expensive. Paperback: Cheaper, lighter, and more portable than hardcovers. E-books: Digital books available for e-readers like Kindle or software like Apple Books, Kindle, and Google Play Books.
3. How do I choose a Circuit Analysis And Design Chapter 2 book to read? Genres: Consider the genre you enjoy (fiction, non-fiction, mystery, sci-fi, etc.). Recommendations: Ask friends, join book clubs, or explore online reviews and recommendations. Author: If you like a particular author, you might enjoy more of their work.
4. How do I take care of Circuit Analysis And Design Chapter 2 books? Storage: Keep them away from direct sunlight and in a dry environment. Handling: Avoid folding pages, use bookmarks, and handle them with clean hands. Cleaning: Gently dust the covers and pages occasionally.
5. Can I borrow books without buying them? Public Libraries: Local libraries offer a wide range of books for borrowing. Book Swaps: Community book exchanges or online platforms where people exchange books.
6. How can I track my reading progress or manage my book collection? Book Tracking Apps: Goodreads, LibraryThing, and Book Catalogue are popular apps for tracking your reading progress and managing book collections. Spreadsheets: You can create your own spreadsheet to track books read, ratings, and other details.
7. What are Circuit Analysis And Design Chapter 2 audiobooks, and where can I find them? Audiobooks: Audio recordings of books, perfect for listening while commuting or multitasking. Platforms: Audible, LibriVox, and Google Play Books offer a wide selection of audiobooks.
8. How do I support authors or the book industry? Buy Books: Purchase books from authors or independent bookstores. Reviews: Leave reviews on platforms like Goodreads or Amazon. Promotion: Share your favorite books on social media or recommend them to friends.
9. Are there book clubs or reading communities I can join? Local Clubs: Check for local book clubs in libraries or community centers. Online Communities: Platforms like Goodreads have virtual book clubs and discussion groups.
10. Can I read Circuit Analysis And Design Chapter 2 books for free? Public Domain Books: Many classic books are available for free as they're in the public domain. Free E-books: Some websites offer free e-books legally, like Project Gutenberg or Open Library.

Find Circuit Analysis And Design Chapter 2 :

smart home tech apps for small business 47-2505 smart home tech best
47-2979 personal finance comparison America 47-375 personal finance
interview tips blueprint USA 47-1046 interview tips blueprint USA 47-656
blueprint United States 47-850 SEO strategy blueprint for creators
budget travel best practices for startups 47-2563 budget travel
business 47-1677 weight loss trends for small business 47-462 weight
funding step by step for entrepreneurs 47-1134 startup funding step by
USA 47-1705 electric vehicles roadmap United States 47-2268 electric
for creators 47-1262 travel tips explained for startups 47-2283 travel
explained America 47-752 wearable technology explained USA 47-1937
for entrepreneurs 47-2313 travel tips ideas for startups 47-1831 travel
roadmap for creators 47-2760 weight loss roadmap for creators 47-429
creators 47-725 budget travel for beginners for small business 47-2977
47-1669 machine learning basics software for startups 47-2608 machine
routines guide United States 47-747 fitness routines guide for creators

Circuit Analysis And Design Chapter 2 :

grade 11 november 2022 geography p1 marking - Mar 22 2022
web geography p1 marking guideline marks 150 this marking guideline consists of 10 pages principles for marking
geography nsc november 2022 the
geography p1 exemplar 2014 memo - Sep 27 2022
web geography p1 exemplar 2014 memo menu home translate download introduction to applied nonlinear dynamical systems
and chaos paperback nine lives jacob tibbs add comment introduction to applied nonlinear dynamical systems and chaos edit
past year papers 2014 teachsa - Jun 24 2022
web afrikaans sal p1 nov 2014 memo gauteng afrikaans sal p1 nov 2014 memo kwazulu natal afrikaans sal p1 nov 2014
memo limpopo afrikaans sal p1 nov 2014 memo mpumalanga afrikaans sal p1 nov 2014 memo north west afrikaans sal p1
nov 2014 memo northern cape 1 afrikaans sal p1 nov 2014 memo northern cape afrikaans
2014 basic education exam papers matric downloads - Apr 03 2023

web memo geography p1 feb march 2014 eng geography p1 feb march 2014 memo eng geography p1 qp june 2014 grade 12 d geography p1 june 2014 grade 12 memo geography p1 nov 2014 eng geog p1 gr12 sept14 memo eng final geography p1 gr 12 exemplar eng geography p1 gr 12 exemplar eng memo

2014 grade 12 exam papers exemplars student spaza - Feb 01 2023

web jun 4 2014 to download the exam papers right click then select saves as subject accounting english exemplar answerbook memo afrikaans exemplar answerbook memo economics english paper 1 memo 1 paper 2 memo 2 afrikaans paper 1 memo 1 paper 2 memo 2 geography

national senior certificate grade 12 national - Oct 09 2023

web jan 8 2015 geography p1 november 2014 memorandum marks 225 this memorandum consists of 18 pages question 1 1 1 1 1 1 1 1 1 cumulonimbus cb 1

geography p1 2015 memorandum national department - Aug 27 2022

web sep 12 2015 2 1 3 5 the south indian high is ridging warm moist air onto the east coast 2 the inversion layer is above the escarpment allowing for moisture to reach

grade 12 september 2015 geography p1 best education - Apr 22 2022

web national senior certificate grade 12 september 2015 geography p1 marks 225 time 3 hours this question paper consists of 16 pages and a 9 page annexure

grade 12 national senior certificate grade 12 - Jun 05 2023

web may 15 2014 2 6 1 headward erosion 2 1x2 2 2 6 2 captor stream is a river that captures waters of another river 2

memo geography p1 november 2014 pdf prof - Jul 06 2023

web nov 1 2014 read online grade 11 november 2014 geography p2 best education 11 nov 2014 p1 memo geography p2 memo 19 november november 2014 gr 11

geography p1 exemplar 2013 memorandum national - Mar 02 2023

web may 29 2013 1 6 3 dip slope is gentle 2 scarp slope is steep 2 2x2 4 1 6 4 farming takes place in the cuesta valleys situated between the ridges as the flat

grade 12 geography paper 1 exemplar mindset learn - Nov 29 2022

web grade 12 geography paper 1 exemplar exam papers grade 12 geography paper 1 exemplar view topics toggle navigation year 2014 file geography p1 gr 12 exemplar memo 2014 afr pdf subject geography grade grade 12 resource type exam memo exam categories grade 12 language

grade 12 geography paper 1 exemplar - Sep 08 2023

web 1 4 3 as a result of convection the urban heat island extends vertically during day time dispersing pollution particles to

the upper troposphere 2

national senior certificate grade graad 12 st - Jul 26 2022

web exemplar 2014 model 2014 memorandum national senior certificate grade graad 12 mathematics p1 wiskunde v1 2 db
2014 mathematics p1 wiskunde v1 7 db 2014 nsc

nsc november 2014 question papers geography p1 nov 2014 - Dec 31 2022

web nsc november 2014 question papers geography p1 nov 2014 addendum eng free by national examiners download type
pdf nsc past papers memos rainbow workbooks telematics booklets textbooks

national senior certificate grade 12 national - Feb 18 2022

web mar 28 2014 humansdorp is a small town in the eastern cape with a population of around 35 000 this town is the centre
of the cacadu municipal district s industry and farming

geography p1 exemplar 2014 memo - Aug 07 2023

web geography p1 exemplar 2014 memo below cities under siege stephen graham 2011 11 01 cities are the new
battleground of our increasingly urban world from the slums of the global south to the wealthy financial centers of the west
cities under siege traces the spread of political violence through the sites spaces infrastructure and symbols

geography p1 exemplar 2013 eng memo studocu - May 24 2022

web this memorandum consists of 12 pages geography p exemplar 2013 memorandum national senior certificate graad 12
grade 11 nsc grade 11 exemplar memorandum section a question 1 1 1 coriolis force 2 1x2 2 1 1 global air circulation 2 1x2 2
1 1 pressure gradient force 2 1x2 2 1 1 geostrophic

national senior certificate grade 12 western cape - Oct 29 2022

web geography p1 4 db 2014 nsc grade 12 exemplar annexure copyright reserved please turn over figure 1 6 river
management umgeni river one of dirtiest in sa

geography p1 gr 12 exemplar 2014 mindset learn - May 04 2023

web 3 4 5 6 7 8 9 this question paper consists of four questions answer any three questions of 75 marks each all diagrams are
included in the annexure

writing slo 2nd grade english language arts full pdf eventos - Dec 13 2022

web second grade english language arts ela pacing guide 1 date july 16 2013 unit title duration month s related standards
common core state writing words e g

writing slo 2nd grade english language arts 2023 - Feb 15 2023

web writing slo 2nd grade english language arts if you ally infatuation such a referred writing slo 2nd grade english language
arts book that will manage to pay for you

slo examples center on great teachers and leaders - Apr 17 2023

web may 19 2021 ielts writing task 2 bölümünde sorulabilecek onlarca konu ve yüzlerce soru var bu makalemizde sınavda sorulabilecek essay sorularını konu başlıklarına göre

general ielts writing stratejileri bu tekniklerle - Jun 07 2022

web the set has poster sets to match all the common core standards categories for grade 2 english language arts and math ela standards set includes posters for

2nd grade language arts and writing book guides teachervision - Apr 05 2022

web browse our printable 2nd grade language arts and writing activities resources for your classroom download free today

slo language arts worksheets teaching resources tpt - Dec 01 2021

web aug 3 2023 writing slo 2nd grade english language arts 1 7 downloaded from uniport edu ng on august 3 2023 by guest writing slo 2nd grade english language

2nd grade language arts and writing teachervision - Sep 10 2022

web or clarification see grade 2 language standards 1 and 3 for specific expectations in the grades 2 3 text complexity band proficiently with scaffolding as needed at high end of

writing slo 2nd grade english language arts edward de bono - Jan 14 2023

web it is your extremely own times to do its stuff reviewing habit in the course of guides you could enjoy now is writing slo 2nd grade english language arts below writing slo

ielts writing task 2 sınavda Çıkabilecek sorular ve - Mar 16 2023

web writing slo 2nd grade english language arts right here we have countless books writing slo 2nd grade english language arts and collections to check out we

english language arts pacing guide swedesboro woolwich - Nov 12 2022

web feb 1 2020 want to help your second grader master the basics of english language arts here are some of the skills your child will be learning in the classroom reading

ielts writing bölümü uzmanielts com - Jul 08 2022

web jul 18 2019 ielts general sınavının writing bölümü 2 görevden oluşur bu görevlerde sizden 2 adet deneme essay yazmanız istenir task 1 ve task 2 den oluşan writing

writing slo 2nd grade english language arts pdf uniport edu - Oct 31 2021

web collections writing slo 2nd grade english language arts that we will unquestionably offer it is not re the costs its roughly what you obsession currently this writing slo

2nd grade english language arts important reading skills today - Oct 11 2022

web browse our printable 2nd grade language arts and writing resources for your classroom download free today

second grade english language arts scope and sequence - Aug 09 2022

web ielts writing yazma bölümü task 1 ve task 2 olmak üzere iki kısımdan oluşur ve 60 dakika sürer task 1 için en az 150

kelime task 2 için ise en az 250 kelime yazmanız

writing slo 2nd grade english language arts pdf uniport edu - May 18 2023

web home slo examples utah english language arts grade 2 this is a sample slo from the utah office of education focused on second grade english language arts utah

writing slo 2nd grade english language arts pdf uniport edu - Feb 03 2022

web what s covered in 2nd grade language arts in second grade language arts children will build on existing ela knowledge and acquire new skills that will enable them to read

writing slo 2nd grade english language arts kumon publishing - Sep 29 2021

sample slos slo - Jun 19 2023

web jul 30 2023 writing slo 2nd grade english language arts when people should go to the books stores search introduction by shop shelf by shelf it is truly problematic this

2nd grade language arts ela teaching resources twinkl us - Jan 02 2022

web slo ela assessment 2nd grade end of the year by 2touchlives 31 7 00 pdf this is a comprehensive assessment that measures phonics vocabulary grammar reading

2nd grade language arts and writing activities teachervision - Mar 04 2022

web jul 14 2023 writing slo 2nd grade english language arts 2 6 downloaded from uniport edu ng on july 14 2023 by guest descriptors added detail on listening and

writing slo 2nd grade english language arts pdf pdf - Aug 21 2023

web writing slo 2nd grade english language arts pdf pdf digitalworkgroup skidmore edu created date 9 15 2023 11 25 21 pm

writing slo 2nd grade english language arts - Jul 20 2023

web extend the belong to to purchase and make bargains to download and install writing slo 2nd grade english language arts suitably simple teacher made assessments

results for 2nd grade slo ppt - May 06 2022

web browse our printable 2nd grade language arts and writing book guides resources for your classroom download free today

pharmako gnosis plant teachers and the poison path - Nov 28 2021

farmakognozi dersi hakkında eczacilar net - Mar 01 2022

web pharmacognosy definition materia medica def 2 see more

pharmako gnosis revised and updated google books - Jun 16 2023

web pharmako gnosis plant teachers and the poison path this is the third and final volume of north atlantic books updated paperback edition of dale pendell s pharmako trilogy

pharmako gnosis revised and updated plant teachers and the - Nov 09 2022

web pharmako gnosis plant teachers and the poison path focuses on plant based and derivative psychedelic teachers including ayahuasca peyote lsd and dmt and on

pharmako gnosis plant teachers and the poison path google - Mar 13 2023

web pharmako gnosis plant teachers and the poison path focuses on plant based and derivative psychedelic teachers including ayahuasca peyote lsd and dmt and on

farmakognozi cilt 1 ankara Üniversitesi - Jul 05 2022

web pharmako gnosis plant teachers and the poison path includes a new introduction by the author and as in previous editions focuses on plant based and derivative psychedelic

pharmako gnosis revised and updated penguin random house - Jul 17 2023

web sep 28 2010 delving deep into the world of psychoactive plants including ayahuasca pharmako gnosis serves as a comprehensive and standalone guide celebrated by

pharmako penguin random house - Oct 08 2022

web may 10 2023 pharmako gnosis plant teachers and the poison path by pendell dale 1947 publication date 2005 topics poisonous plants hallucinogenic plants

pharmako gnosis plant teachers and the poison path dale - Dec 10 2022

web pharmako gnosis plant teachers and the poison path includes a new introduction by the author and as in previous editions focuses on plant based and derivative psychedelic

pharmacognosis definition of pharmacognosis by the free - Dec 30 2021

web pharmako gnosis plant teachers and the poison path focuses on plant based and derivative psychedelic teachers including ayahuasca peyote lsd and dmt and on

pharmacognosy definition meaning dictionary com - Jan 31 2022

web the branch of pharmacology that studies the composition use and history of drugs pharmacognosist n pharmacognostic adj

pharmako gnosis revised and updated north atlantic books - Jun 04 2022

web pharmako gnosis bitki Öğretmenler ve zehir yolu pharmako pharmako pharmako dynamis amazon com tr kitap

pharmako gnosis plant teachers and the poison path - Feb 12 2023

web pharmako gnosis plant teachers and the poison path includes a new introduction by the author and as in previous editions focuses on plant based and derivative psychedelic

pharmako gnosis plant teachers and the poison path - Sep 19 2023

web jul 1 1999 pharmako gnosis plant teachers and the poison path by dale pendell mercury house 1999 615 321

pharmacognosis is the branch of pharmacology that

pharmako gnosis by dale pendell 9781556438899 penguin - Oct 28 2021

pharmako gnosis plant teachers and the poison path google - Apr 14 2023

web this is the third and final volume of north atlantic books hard cover edition of dale pendell s pharmako trilogy an encyclopedic study of the history and uses of psychoactive plants

pharmako gnosis revised and updated plant teachers and the - Aug 06 2022

web bu site altında yer alan tüm kaynaklar creative commons alıntı gayriticari türetilemez 4 0 uluslararası lisansı ile lisanslanmıştır bu lisans koşulları altında ankara Üniversitesi

pharmako gnosis plant teachers and the poison path - Sep 07 2022

web paperback currently unavailable we don t know when or if this item will be back in stock select delivery location have one to sell sell on amazon roll over image to zoom in

pharmako gnosis revised and updated plant teachers and the - Jan 11 2023

web this final volume covers the visionary plants the contemporary uses of plant poisons historic cultural lore and shamanic rites if homer had been a drug connoisseur his

pharmako gnosis by dale pendell goodreads - Aug 18 2023

web powell s delving deep into the world of psychoactive plants including ayahuasca pharmako gnosis serves as a comprehensive and standalone guide celebrated by

pharmako gnosis bitki Öğretmenler ve zehir yolu pharmako - May 03 2022

web pharmacognosis pharmacognosis terimi tıp dilinde kullanılan latince bir kelimedir pharmacognosis nedir size kısaca bunun hakkında bilgi verelim pharmacognosis

pharmako gnosis plant teachers and the poison path - May 15 2023

web pharmako gnosis weaves together writing on ancient shamanic rites historical cultural lore and the contemporary use of plant poisons in chapters phantastica hypnotica and

pharmacognosis nedir türkçe ne demek tıp terimleri sözlüğü - Apr 02 2022

web jan 14 2015 farmakognozi dersi farmakognozi biyolojik kaynaklı ilaçların elde edilmesi üretilmesi farmakolojisi ve tedavide kullanımlarını inceleyen bilim dalıdır farmakognozi