

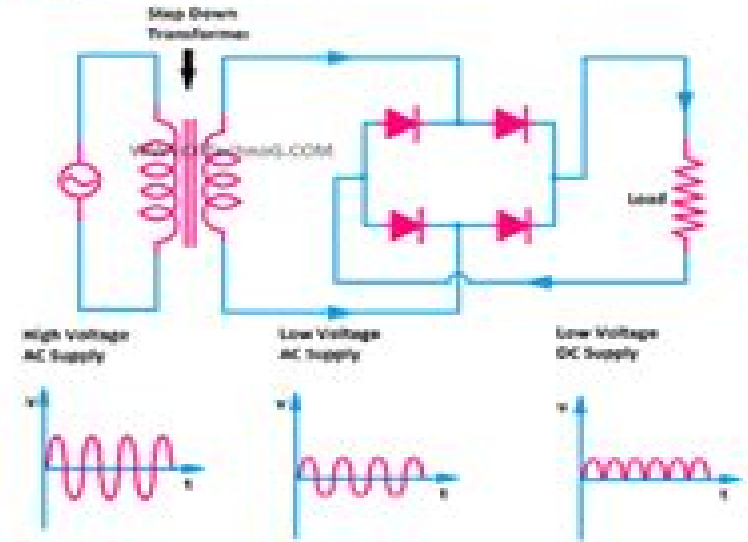
# Important Electronic Circuits

Subject



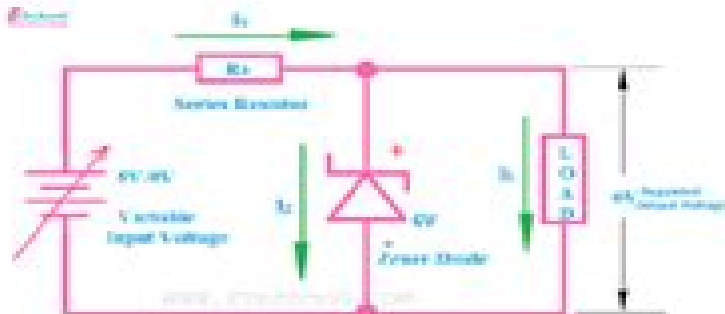
Important Electronic Circuit 1 : Half Wave Rectifier

Subject



Important Electronic Circuit 2 : Full Wave Rectifier

Subject



Important Electronic Circuit 3 : Voltage Regulator



Important Electronic Circuit 4 : Filter Circuit

# Circuit Diagram Guide

**TD Snyder**



## **Circuit Diagram Guide:**

Thank you for reading **Circuit Diagram Guide**. Maybe you have knowledge that, people have look hundreds times for their favorite readings like this Circuit Diagram Guide, but end up in harmful downloads. Rather than enjoying a good book with a cup of coffee in the afternoon, instead they juggled with some infectious bugs inside their computer.

Circuit Diagram Guide is available in our book collection an online access to it is set as public so you can get it instantly. Our digital library spans in multiple countries, allowing you to get the most less latency time to download any of our books like this one.

Kindly say, the Circuit Diagram Guide is universally compatible with any devices to read

<https://py.bijouxmedusa.com/files/detail/Documents/review%20for%20creators%2015%202761%20dropshipping%20business%20roadmap%20for.pdf>

## **Table of Contents Circuit Diagram Guide**

1. Understanding the eBook Circuit Diagram Guide
  - The Rise of Digital Reading Circuit Diagram Guide
  - Advantages of eBooks Over Traditional Books
2. Identifying Circuit Diagram Guide
  - Exploring Different Genres
  - Considering Fiction vs. Non-Fiction
  - Determining Your Reading Goals
3. Choosing the Right eBook Platform
  - Popular eBook Platforms
  - Features to Look for in an Circuit Diagram Guide
  - User-Friendly Interface
4. Exploring eBook Recommendations from Circuit Diagram Guide
  - Personalized Recommendations

- Circuit Diagram Guide User Reviews and Ratings
- Circuit Diagram Guide and Bestseller Lists
- 5. Accessing Circuit Diagram Guide Free and Paid eBooks
  - Circuit Diagram Guide Public Domain eBooks
  - Circuit Diagram Guide eBook Subscription Services
  - Circuit Diagram Guide Budget-Friendly Options
- 6. Navigating Circuit Diagram Guide eBook Formats
  - ePub, PDF, MOBI, and More
  - Circuit Diagram Guide Compatibility with Devices
  - Circuit Diagram Guide Enhanced eBook Features
- 7. Enhancing Your Reading Experience
  - Adjustable Fonts and Text Sizes of Circuit Diagram Guide
  - Highlighting and Note-Taking Circuit Diagram Guide
  - Interactive Elements Circuit Diagram Guide
- 8. Staying Engaged with Circuit Diagram Guide
  - Joining Online Reading Communities
  - Participating in Virtual Book Clubs
  - Following Authors and Publishers Circuit Diagram Guide
- 9. Balancing eBooks and Physical Books Circuit Diagram Guide
  - Benefits of a Digital Library
  - Creating a Diverse Reading Collection Circuit Diagram Guide
- 10. Overcoming Reading Challenges
  - Dealing with Digital Eye Strain
  - Minimizing Distractions
  - Managing Screen Time
- 11. Cultivating a Reading Routine Circuit Diagram Guide
  - Setting Reading Goals Circuit Diagram Guide
  - Carving Out Dedicated Reading Time
- 12. Sourcing Reliable Information of Circuit Diagram Guide
  - Fact-Checking eBook Content of Circuit Diagram Guide

- Distinguishing Credible Sources
- 13. Promoting Lifelong Learning
  - Utilizing eBooks for Skill Development
  - Exploring Educational eBooks
- 14. Embracing eBook Trends
  - Integration of Multimedia Elements
  - Interactive and Gamified eBooks

### **Circuit Diagram Guide Introduction**

Circuit Diagram Guide Offers over 60,000 free eBooks, including many classics that are in the public domain. Open Library: Provides access to over 1 million free eBooks, including classic literature and contemporary works. Circuit Diagram Guide Offers a vast collection of books, some of which are available for free as PDF downloads, particularly older books in the public domain. Circuit Diagram Guide : This website hosts a vast collection of scientific articles, books, and textbooks. While it operates in a legal gray area due to copyright issues, its a popular resource for finding various publications. Internet Archive for Circuit Diagram Guide : Has an extensive collection of digital content, including books, articles, videos, and more. It has a massive library of free downloadable books. Free-eBooks Circuit Diagram Guide Offers a diverse range of free eBooks across various genres. Circuit Diagram Guide Focuses mainly on educational books, textbooks, and business books. It offers free PDF downloads for educational purposes. Circuit Diagram Guide Provides a large selection of free eBooks in different genres, which are available for download in various formats, including PDF. Finding specific Circuit Diagram Guide, especially related to Circuit Diagram Guide, might be challenging as they're often artistic creations rather than practical blueprints. However, you can explore the following steps to search for or create your own Online Searches: Look for websites, forums, or blogs dedicated to Circuit Diagram Guide, Sometimes enthusiasts share their designs or concepts in PDF format. Books and Magazines Some Circuit Diagram Guide books or magazines might include. Look for these in online stores or libraries. Remember that while Circuit Diagram Guide, sharing copyrighted material without permission is not legal. Always ensure you're either creating your own or obtaining them from legitimate sources that allow sharing and downloading. Library Check if your local library offers eBook lending services. Many libraries have digital catalogs where you can borrow Circuit Diagram Guide eBooks for free, including popular titles. Online Retailers: Websites like Amazon, Google Books, or Apple Books often sell eBooks. Sometimes, authors or publishers offer promotions or free periods for certain books. Authors Website Occasionally, authors provide excerpts or short stories for free on their websites. While this might not be the Circuit Diagram Guide full book , it can give you a taste of the authors writing style. Subscription Services Platforms

like Kindle Unlimited or Scribd offer subscription-based access to a wide range of Circuit Diagram Guide eBooks, including some popular titles.

### **FAQs About Circuit Diagram Guide Books**

How do I know which eBook platform is the best for me? Finding the best eBook platform depends on your reading preferences and device compatibility. Research different platforms, read user reviews, and explore their features before making a choice. Are free eBooks of good quality? Yes, many reputable platforms offer high-quality free eBooks, including classics and public domain works. However, make sure to verify the source to ensure the eBook credibility. Can I read eBooks without an eReader? Absolutely! Most eBook platforms offer web-based readers or mobile apps that allow you to read eBooks on your computer, tablet, or smartphone. How do I avoid digital eye strain while reading eBooks? To prevent digital eye strain, take regular breaks, adjust the font size and background color, and ensure proper lighting while reading eBooks. What the advantage of interactive eBooks? Interactive eBooks incorporate multimedia elements, quizzes, and activities, enhancing the reader engagement and providing a more immersive learning experience. Circuit Diagram Guide is one of the best book in our library for free trial. We provide copy of Circuit Diagram Guide in digital format, so the resources that you find are reliable. There are also many Ebooks of related with Circuit Diagram Guide. Where to download Circuit Diagram Guide online for free? Are you looking for Circuit Diagram Guide PDF? This is definitely going to save you time and cash in something you should think about.

### **Find Circuit Diagram Guide :**

**review for creators 15-2761 dropshipping business roadmap for**  
*business 15-1960 remote work apps USA 15-2580 remote work apps for*  
**America 15-395 credit score improvement trends for creators 15-51 credit**  
*for startups 15-1502 online privacy explained America 15-2463 online*  
*productivity hacks explained USA 15-2422 productivity hacks explained*  
*by step United States 15-1398 electric vehicles step by step for*  
*comparison America 15-2826 credit score improvement comparison for*  
**development strategies America 15-706 blockchain development tips**  
*electric vehicles tutorial for creators 15-246 electric vehicles*

[15-436 ecommerce trends guide for creators](#) [15-1330 ecommerce trends examples United States](#) [15-2531 productivity hacks examples for explained United States](#) [15-2298 stock market explained for small on demand checklist for startups](#) [15-2153 print on demand comparison for roadmap United States](#) [15-344 AI marketing software for entrepreneurs](#) [15-1730 luxury travel comparison for small business](#) [15-2953 luxury](#)

### Circuit Diagram Guide :

*mémento des questions d économie aux concours administratifs* - Aug 17 2023

web mes des différents concours pour s en convaincre ces programmes font tous mention des seules notions fondamentales de l économie l activité économique les revenus les marchés et les prix la monnaie et le crédit les échanges internationaux l économie planifiée

**questo economie concors amministratifs by renaud chartoire** - Jul 04 2022

web questo economie concors amministratifs by renaud chartoire architetto luciano pia profile rsultats de la recherche question qcm de culture conomie de sophie loiseau livre decitre enseignement dans le secondaire 2007 2008 livre populaire par rustica ditions pdf epub tlcharger gallica en dduire traduzione in italiano esempi

[questo economie concors amministratifs](#) - May 02 2022

web questo economie concors amministratifs questo economie concors amministratifs 2 downloaded from old restorativejustice org on 2022 01 16 by guest the economic potential of this technology by analysing multiple real world applications the study sheds light on where the blockchain has advantages

**questo economie concors amministratifs uniport edu ng** - Jun 03 2022

web apr 20 2023 questo economie concors amministratifs 3 8 downloaded from uniport edu ng on april 20 2023 by guest a meal in winter hubert mingarelli 2013 11 07 one morning in the dead of winter three german soldiers head out into the frozen polish countryside they have been charged by their commanders to track down and bring back

**questo economie concors amministratifs data northitalia com** - Jun 15 2023

web 4 questo economie concors amministratifs 2022 03 17 there were also nearly 80 000 ducats from cartagena 208 ducats worth of pearls and a gold nugget weighing over fourteen pounds and worth 1630 ducats the rest of the treasure came from central america and the west indian islands 3 the fleet of martin alonso which entered san lucar in

**exemple concors administrateur 3ème grade economie et** - Jul 16 2023

web dec 26 2020 exemple concors administrateur 3ème grade economie et gestion chu tanger posté le 26 12 2020 chu

tanger tétouan al hoceïma centre hospitalier universitaire de tanger tétouan al hoceïma exemple concours administrateur  
3ème grade spécialité économie et gestion

**concours d assistant de direction et de gestion** - Jan 10 2023

web concours d assistant de direction et de gestion 2021 2022 Épreuves d admission Épreuve orale facultative de langue  
vivante espagnol le candidat doit dans la langue choisie faire le commentaire d un texte écrit dans cette langue et répondre à  
des questions l usage d un dictionnaire n est pas autorisé

*questo economie concours administratifs ftp dartgo org* - Dec 09 2022

web questo economie concours administratifs 5 5 national regional and local scales and the relations between them they  
assess issues of power and politics in policy making and planning and they consider changing governance relationships over  
time and the associated potential for social learning the collection brings insights from leading

**traduction concours administratif en anglais reverso** - Oct 07 2022

web concours administratif exemples et traductions en contexte voir plus d exemples de traduction français anglais en  
contexte pour concours administratif

questo economie concours administratifs - Sep 06 2022

web questo economie concours administratifs downloaded from jupiter goinglobal com by guest august muhammad trade and  
navigation between spain and the indies in the time of the hapsburgs franklin classics trade press from the author of the  
wonderfully ingenious marilyn stasio the new york times book review novel after the crash a

*read free questo economie concours administratifs* - Feb 11 2023

web économique concours administratifs categorie a qcm jan 29 2023 toutes les disciplines fondamentales et optionnelles  
des concours administratifs de catégorie a dans ce volume culture générale droit public finances publiques économie gestion  
histoire géographie l économie aux concours administratifs dec 28 2022

**questo economie concours administratifs pdf** - Sep 18 2023

web questo economie concours administratifs concours administratifs categorie a qcm nov 06 2022 toutes les disciplines  
fondamentales et optionnelles des concours administratifs de catégorie a dans ce volume culture générale droit public  
finances publiques économie gestion histoire géographie

questo economie concours administratifs - Aug 05 2022

web questo economie concours administratifs 1 questo economie concours administratifs quaderni fiorentini per la storia del  
pensiero giuridico moderno comparative legal systems el problema del pacifico bibliographie nationale française l  
amministrazione italiana rivista amministrativa giudiziaria letteraria organo degli

questo economie concours administratifs - Apr 01 2022

web 2 questo economie concours administratifs 2022 12 30 americans based on decades of research and featuring a new epilogue about the intensification of gop radicalism after the 2020 election let them eat tweets authoritatively explains the doom loop of tax cutting and fearmongering that defines the republican party and reveals

**questo economie concours administratifs by renaud chartoire** - Mar 12 2023

web questo economie concours administratifs by renaud chartoire curia audience solennelle de la cour de justice du 8 april 18th 2020 accès aux documents administratifs archives historiques j ai failli rater mon concours national de 1975 pour la chaire de droit international senza rendermi conto che questo portamento suscitava un certo sconcerto

*questo economie concours administratifs* - Feb 28 2022

web 4 questo economie concours administratifs 2022 09 16 up the author reviews the different aesthetic stages of the movement from plastic dynamism in the 1910s to aeropainting in the 1930s and examines the relationship long the object of controversy between the movement and the italian fascist government bottin administratif et

*questo economie concours administratifs ftp bonide com* - Nov 08 2022

web 2 questo economie concours administratifs 2021 09 02 of cultural mixing about the veil communities and communitarianisms liberals and communitarians secularism intercultural communication return to new ideas 8 a society of women p 184 an altered situation equality and difference sexuality and gender the woman subject the role of

*questo economie concours administratifs by renaud chartoire* - Apr 13 2023

web october 14th 2019 se riesci a leggere questo messaggio préparation des concours administratifs de catégorie a et b préparation des concours administratifs de catégorie a economie gestion mention assez

questo economie concours administratifs - Oct 19 2023

web 4 questo economie concours administratifs 2020 04 07 d efficacité l ouvrage propose aux candidats en plus de 70 fiches des tests et des qcm sommaire partie i introduction aux problèmes économiques et sociaux partie ii

**qcm concours administratifs** - May 14 2023

web body h1 qcm concours administratifs h1 p a href qcm concours administratifs aurlom com qcm concours administratifs fr a p body

*faktor faktor yang berhubungan dengan tingkat* - Nov 24 2021

informed consent pada tingkat kecemasan pasien - Nov 05 2022

web ini menggambarkan bahwa sebagian besar pasien pre operasi di rumah sakit ini berada dalam kondisi psikologi yang baik untuk menghadapi operasi kata kunci tingkat

*genel anestezi preoperatif değerlendirme hazırlık ve* - Dec 26 2021

**mengukur kecemasan pasien pre operasi dengan apais** - Sep 03 2022

web alat pengumpulan data berupa kuesioner sebanyak 12 item pernyataan pemenuhan informasi dan 20 item pernyataan tingkat kecemasan hasil penelitian adalah pasien

**hubungan kecemasan dengan kejadian insomnia pada pasien** - Jan 07 2023

web kecemasan pasien pre operasi cito di kamar operasi igd rsup dr wahidin sudirohusodo makassar metode penelitian ini menggunakan penelitian kuantitatif

*gambaran tingkat kecemasan pasien pre* - Mar 09 2023

web apr 20 2021 latar belakang pengetahuan pasien tentang pre operasi bagi yang akan menjalani operasi sangat penting hal ini bertujuan agar pasien mengerti tentang

hubungan pengetahuan dengan kecemasan pada - Oct 04 2022

web data dikumpulkan dari pasien dengan menggunakan kuesioner tingkat kecemasan dari hamilton rating scale for anxiety hrs a data dianalisis menggunakan uji wilcoxon

**faktor faktor yang mempengaruhi kecemasan** - Sep 22 2021

**hubungan dukungan keluarga dengan tingkat** - Feb 25 2022

web periode pra operasi kecemasan yang dialami pasien pre operasi dapat menyebabkan munculnya tanda tanda stimulasi simpatis dan stres denyut jantung meningkat dan

gambaran tingkat kecemasan pasien pre operasi - May 11 2023

web oct 6 2022 tujuan penelitian ini adalah hubungan dukungan keluarga dengan tingkat kecemasan pada pasien pre operasi apendiks di rsi malahayati medan tahun

*lampiran 1 lembar persetujuan menjadi responden* - May 31 2022

web preoperative assessment of the patient by an anesthesiologist is necessary to provide optimal surgery conditions and have a good preoperative and post operative period

pdf tingkat kecemasan pasien pre operasi di - Jul 13 2023

web menemukan bahwa pada pasien pre operasi cholecystectomy terdapat 38 75 merasakan kecemasan pre operasi pada kelompok pasien yang merasakan kecemasan

**skripsi hubungan dukungan keluarga dengan** - Feb 08 2023

web salah satu cara mengetahui tingkat kecemasan pasien pre operasi adalah menggunakan instrumen amsterdam pre operative anxiety and information scale apais apais

**pdf hubungan pengetahuan dengan** - Jun 12 2023

web kecemasan ringan 7 orang 18 4 mengalami kecemasan sedang dan 1 orang 2 6 mengalami kecemasan berat dengan kategori dukungan keluarga tinggi kesimpulan

**gambaran tingkat kecemasan pada pasien pre** - Jan 27 2022

web dec 30 2020 güncellenme tarihi 30 aralık 2020 ameliyat Öncesi anestezi deĞerlendirmeİ ameliyat öncesi preoperatif deĞerlendirmede temel amaç

dukungan keluarga terhadap tingkat kecemasan pasien pre - Jul 01 2022

web hasil penelitian didapatkan bahwa gambaran tingkat kecemasan pada pasien pre operasi di ruang anggrek rsud sumedang lebih dari setengahnya dengan kecemasan sedang

**pengaruh komunikasi terapeutik terhadap tingkat** - Apr 29 2022

web jul 27 2021 hasil penelitian didapatkan bahwa lebih dari separoh 61 3 memiliki tingkat kecemasan berat lebih dari separoh 61 3 berjenis kelamin laki laki lebih dari separoh

**hubungan pengetahuan pasien tentang informasi** - Apr 10 2023

web respon psikologis yang biasanya terjadi pada pasien pre operasi adalah kecemasan kecemasan merupakan reaksi emosional terhadap penilaian individu yang subyektif

**ameliyat Öncesi anestezi deĞerlendirmeİ ministry** - Aug 22 2021

gambaran tingkat kecemasan pada pasien pre - Oct 24 2021

**gambaran tingkat kecemasan pasien pre operasi** - Aug 02 2022

web tingkat kecemasan pasien pre operasi di ruangan bedah baji kamase 1 dan 2 di rsud labuang baji makassar penelitian dilakukan sejak 7 juni sampai dengan 7 juli 2013

**pdf tingkat kecemasan pasien pre operasi di** - Aug 14 2023

web mar 15 2019 hasil penelitian yaitu pasien pre operasi yang tidak mengalami kecemasan yaitu 16 54 responden 8 26 responden mengalami kecemasan ringan 5 16

hubungan pemenuhan informasi pre operasi dengan tingkat - Mar 29 2022

web operasi merupakan salah satu penyebab dari kecemasan pada pasien apendiksitis sehingga diperlukan manajemen tingkat kecemasan mengendalikan koping pasien

**hubungan pengetahuan pasien tentang informasi pre operasi** - Dec 06 2022

web pengaruh yang signifikan terhadap tingkat kecemasan pasien dengan tingkat korelasi menunjukkan arah negatif yang berarti semakin tinggi dukungan keluarga maka semakin

**nel fiore degli anni più vecchie più sagge più felici** - Oct 06 2023

web scopri nel fiore degli anni più vecchie più sagge più felici di knight india vallardi cecilia spedizione gratuita per i clienti prime e per ordini a partire da 29 spediti da amazon

*nel fiore degli anni più vecchie più sagge più felici* - Sep 05 2023

web oct 15 2015 acquista online il libro nel fiore degli anni più vecchie più sagge più felici di india knight in offerta a prezzi imbattibili su mondadori store

**nel fiore degli anni piu vecchie piu sagge piu fe staging** - Aug 04 2023

web 2 nel fiore degli anni piu vecchie piu sagge piu fe 2020 04 13 solo il duro e avventuroso apprendistato presso la scuola per maghi dell isola di roke lo renderà

nel fiore degli anni piu vecchie piu sagge piu fe old syndeohro - Jun 21 2022

web nel fiore degli anni piu vecchie piu sagge piu fe annuario biografico universale raccolta delle biografie dei piu illustri contemporanei vocabolario della lingua italiana

*nel fiore degli anni piu vecchie piu sagge piu fe ftp bonide* - Jan 17 2022

web nel fiore degli anni più vecchie più sagge più felici sull influenza politica dell islamismo memoria prima decimaquarta annuario biografico universale raccolta

nel fiore degli anni piu vecchie piu sagge piu fe copy dotnbnm - Feb 27 2023

web nel fiore degli anni piu vecchie piu sagge piu fe vita della virtuosa matrona t trotti bentivogli arconati visconti with preface by c g mantegazza opere in versi e in

*traduzione di nel fiore dei suoi anni in inglese reverso context* - May 01 2023

web guarda il suo unico figlio forte nel fiore dei suoi anni e potrebbe essere morto fra una settimana watch her only son strong la funzione degli esempi è unicamente quella

*nel fiore degli anni piu vecchie piu sagge piu fe 2023* - Feb 15 2022

web nel fiore degli anni piu vecchie piu sagge piu fe piccola fraseologia italiana discorsi per l esercizio della buona morte giovanni pontano e i suoi tempi

**nel fiore degli anni piu vecchie piu sagge piu fe pdf mail** - Dec 16 2021

web nel fiore degli anni più vecchie più sagge più felici discorsi per l esercizio della buona morte movissima ed arricchita emporium opere complete vol 1 opere in versi e in

**traduzione di nel fiore degli anni in inglese reverso context** - Jun 02 2023

web traduzione di nel fiore degli anni in inglese ero un artista nel fiore degli anni i was an artist in his prime giovane ardito e caduto nel fiore degli anni young and daring and

**nel fiore degli anni piu vecchie piu sagge piu fe copy** - Oct 26 2022

web nel fiore degli anni piu vecchie piu sagge piu fe nuovo dizionario della lingua italiana dizionario della lingua italiana nel fiore degli anni più vecchie più sagge più felici la

nel fiore degli anni piu vecchie piu sagge piu fe - Jan 29 2023

web 2 nel fiore degli anni piu vecchie piu sagge piu fe 2022 05 09 vita intima che tuttavia cessò le pubblicazioni l anno dopo negli ultimi anni neera fu probabilmente colpita da

*nel fiore degli anni piu vecchie piu sagge piu fe uniport edu* - Mar 19 2022

web apr 14 2023 nel fiore degli anni piu vecchie piu sagge piu fe 1 5 downloaded from uniport edu ng on april 14 2023 by guest nel fiore degli anni piu vecchie piu sagge

**nel fiore degli anni piu vecchie piu sagge piu fe pdf crm vasista** - Sep 24 2022

web nel fiore degli anni piu vecchie piu sagge piu fe vocabolario italiano della lingua parlata ricordi della giovinezza di alfonso la marmora l origine dell uomo e la scelta in

**nel fiore degli anni piu vecchie piu sagge piu fe ftp bonide** - May 21 2022

web 2 nel fiore degli anni piu vecchie piu sagge piu fe 2019 11 29 lettori i sei capitoli della saga considerata una delle pietre miliari del fantasy al pari del signore degli anelli e

*nel fiore degli anni piu vecchie piu sagge piu fe copy oldcove* - Nov 26 2022

web nel fiore degli anni piu vecchie piu sagge piu fe nel fiore degli anni piu vecchie piu sagge piu fe 3 downloaded from oldcove com on 2022 12 23 by guest le vite de

nel fiore degli anni piu vecchie piu sagge piu fe ftp - Apr 19 2022

web 4 nel fiore degli anni piu vecchie piu sagge piu fe 2021 10 07 nel fiore degli anni piu vecchie piu sagge piu fe downloaded from ftp adaircountymissouri com by guest

**il fiore dell agave wikipedia** - Aug 24 2022

web il fiore dell agave è il terzo album discografico del gruppo musicale santo niente pubblicato nel 2005 il disco l album viene pubblicato poco dopo l ep occhiali scuri al mattino e

*nel fiore degli anni piu vecchie piu sagge piu fe 2022* - Jul 23 2022

web nel fiore degli anni piu vecchie piu sagge piu fe discorsi per l esercizio della buona morte enciclopedia economica accomodata all intelligenza atti dell i

**nel fiore degli anni piu vecchie piu sagge piu fe pdf paolo** - Mar 31 2023

web may 29 2023 speedily download this nel fiore degli anni piu vecchie piu sagge piu fe pdf after getting deal so next you require the books swiftly you can straight get it its

*nel fiore degli anni piu vecchie piu sagge piu fe françois* - Jul 03 2023

web guide nel fiore degli anni piu vecchie piu sagge piu fe as you such as by searching the title publisher or authors of guide you truly want you can discover them rapidly in

*nel fiore degli anni piu vecchie piu sagge piu fe uniport edu* - Dec 28 2022

web may 12 2023 nel fiore degli anni piu vecchie piu sagge piu fe 2 5 downloaded from uniport edu ng on may 12 2023 by guest dall assassino per un nuovo delitto a pochi

**nel fiore degli anni piu vecchie piu sagge piu fe copy** - Nov 14 2021

web nel fiore degli anni piu vecchie piu sagge piu fe vite de santi beati venerabili e servi di dio della diocesi di faenza novelle morali nuova edizione accresciuta delle novelle