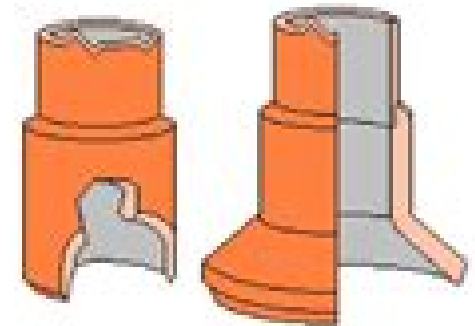


Well COMPLETION

5. OTHERS

5.1 Wireline Entry Guide (WLEG)

- Bottom most tubing accessories.
- Provide easy access for WL tools into tubing.

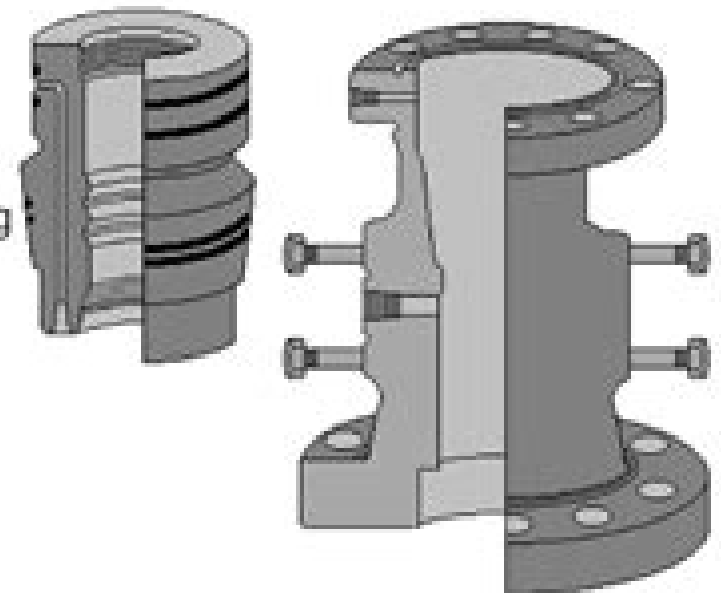


5.2 Perforated Joint

- Eliminate flow restrictions.
- Provide true downhole flow readings.

5.3 Control Line

- Transport hydraulic fluid to SCSSV
- Continuous length & securely clamped on tubing wall.



5.4 Tubing Hanger

- Set in THS , suspend tubing weight & provide sealing.
- BPV Receptacle

Wireline Operations Manual

AW Rasmussen



Wireline Operations Manual:

Standard Handbook of Petroleum and Natural Gas Engineering William C. Lyons, Gary J Plisga BS, 2011-03-15 This new edition of the Standard Handbook of Petroleum and Natural Gas Engineering provides you with the best state of the art coverage for every aspect of petroleum and natural gas engineering With thousands of illustrations and 1 600 information packed pages this text is a handy and valuable reference Written by over a dozen leading industry experts and academics the Standard Handbook of Petroleum and Natural Gas Engineering provides the best most comprehensive source of petroleum engineering information available Now in an easy to use single volume format this classic is one of the true must haves in any petroleum or natural gas engineer s library A classic for the oil and gas industry for over 65 years A comprehensive source for the newest developments advances and procedures in the petrochemical industry covering everything from drilling and production to the economics of the oil patch Everything you need all the facts data equipment performance and principles of petroleum engineering information not found anywhere else A desktop reference for all kinds of calculations tables and equations that engineers need on the rig or in the office A time and money saver on procedural and equipment alternatives application techniques and new approaches to problems

Wireline Operations and Procedures American Petroleum Institute. Division of Production, 1964

Wireline Operations Jack B. Hall, 1988

Wireline Operations and Procedures American Petroleum Institute. Production Department, 1994

Oilfield Survival Guide, Volume One: For All Oilfield Situations Matthew J. Hatami, 2017-01-02 Save Money Time and Lives with the Real World Oil Gas Experience of Others Learning the Hard Way in the Oilfield can Cost You Millions sometimes Billions of Dollars in addition to Injury and Loss of Life Cut Through the Noise to Focus on the Most Critical Aspects of Working in the Oil and Gas Business Based on over 1 000 Oil and Gas Situations involving Drilling Cementing Fracking Wireline Coil Tubing Snubbing Running Tools Welding Production Workover Logging Trucking Geology Land Engineering Resource Development Executive Management and much much more Expand Your Value Creation Opportunities by Learning from the Real World Experience of Others Whether you work in the office or in the field work as a Company Man Engineer Driller Tool Pusher Roughneck Geologist Landman Truck Driver Frac Hand Treater Cementer Lawyer Flowback Hand Welder Geophysicist Snubber Pumper Equipment Operator Derrick Man Mechanic Petrophysicist Roustabout Manager Director VP or Executive consider adding Oilfield Survival Guide to your toolbox of knowledge In other words if you work hard for your money in the oil business this book is for you The oil gas industry is one of the most capital intensive businesses today As a result mistakes situations can be expensive in addition to injury and loss of life To prevent undesirable situations Oilfield Survival Guide was created based on over 1 000 oil gas situations The ultimate guide for all oil and gas situations Tactics Procedures Fatalities Short Stories Train Wrecks Disaster Avoidance Court Cases Life Savings Skills Checklists Troubleshooting Problem Job Prevention Oilfield Survival Guide is the ultimate oil industry resource to help manage oilfield risk and avoid mistakes by increasing your oil and gas knowledge and

intelligence utilizing a variety of methods including Tactics Short and to the point guidelines to reduce risk and instill work principles to be successful in the oil industry from the field to the office Short Stories Experience from the mistakes of others Fatalities Detailed analysis of oil and gas tragedies Court Cases Jury trials expert witness testimony and legal opinions on a variety of oil and gas cases Procedures Step by step process to create oilfield procedures and checklists along with multiple examples Operations Analysis Oil and gas operations post mortem highlighting key learnings practical knowledge useful tips and best practices Over 1 000 oil and gas situations analyzed to create Oilfield Survival Guide **The Practical Handbook of Well Control** Rahman Ashena,2025-02-21 The Practical Handbook of Well Control teaches readers to safeguard well safety and integrity in drilling well engineering Offering an applied and scientific point of view it covers fundamental aspects of well control and includes practical procedures and well control methods for land and offshore operations It features a wealth of questions to commonly encountered problems and comprehensive answers at the end of each topical discussion to test reader comprehension Written in a concise accessible way by experienced oilfield and academic experts Covers all related technical subjects of well control Describes modern aspects of well control including automatic well control advances in outflow measurement artificial intelligence and IoT techniques for early kick detection mud gas separators and riser gas modeling Includes case studies to familiarize readers with real world problems and solutions Offers a full explanation of each problem to familiarize readers with commonly faced issues Features sample exercises with comprehensive answers useful for IWCF and IADC exams This handbook serves as a valuable reference and workbook for field drilling and workover engineers in the energy sector **Policy-Driven Mobile Ad hoc Network Management** Ritu Chadha,Latha Kant,2007-10-23 This book should be immensely interesting to those trying to decide what MANET research is worth undertaking and why J Christopher Ramming Program Manager Defense Advanced Research Projects Agency DARPA Strategic Technology Office A thorough comprehensive treatment of mobile ad hoc network management Mobile ad hoc networking is a hot topic gaining importance in both commercial and military arenas Now that the basics in the field have settled and standards are emerging the time is right for a book on management of these networks From two experts in the field Policy Driven Mobile Ad hoc Network Management provides comprehensive coverage of the management challenges associated with mobile ad hoc networks MANETs and includes an in depth discussion of how policy based network management can be used for increasing automation in the management of mobile ad hoc networks This book provides readers with a complete understanding of mobile ad hoc network management and many related topics including Network management requirements for MANETs with an emphasis on the differences between the management requirements for MANETs as compared to static wireline networks The use of policies for managing MANETs to increase automation and to tie together management components via policies Policy conflict detection and resolution Aspects of MANETs that need to be configured and reconfigured at all layers of the protocol stack Methodologies for providing survivability in the face of both hard and soft failures in MANETs The components

of a Quality of Service QoS management solution for MANETs based on the widely used Differentiated Services DiffServ paradigm Important open research issues in the area of MANET management Policy Driven Mobile Ad hoc Network Management is an ideal resource for professionals researchers and advanced graduate students in the field of IP network management who are interested in mobile ad hoc networks Well Control for Completions and Interventions Howard Crumpton,2018-04-04 Well Control for Completions and Interventions explores the standards that ensure safe and efficient production flow well integrity and well control for oil rigs focusing on the post Macondo environment where tighter regulations and new standards are in place worldwide Too many training facilities currently focus only on the drilling side of the well s cycle when teaching well control hence the need for this informative guide on the topic This long awaited manual for engineers and managers involved in the well completion and intervention side of a well s life covers the fundamentals of design equipment and completion fluids In addition the book covers more important and distinguishing components such as well barriers and integrity envelopes well kill methods specific to well completion and other forms of operations that involve completion like pumping and stimulation including hydraulic fracturing and shale coiled tubing wireline and subsea intervention Provides a training guide focused on well completion and intervention Includes coverage of subsea and fracturing operations Presents proper well kill procedures Allows readers to quickly get up to speed on today s regulations post Macondo for well integrity barrier management and other critical operation components *Proceedings of the International Field Exploration and Development Conference 2023* Jia'en Lin,2024-03-11 This book focuses on reservoir surveillance and management reservoir evaluation and dynamic description reservoir production stimulation and EOR ultra tight reservoir unconventional oil and gas resources technology oil and gas well production testing and geomechanics This book is a compilation of selected papers from the 13th International Field Exploration and Development Conference IFEDC 2023 The conference not only provides a platform to exchanges experience but also promotes the development of scientific research in oil gas exploration and production The main audience for the work includes reservoir engineer geological engineer enterprise managers senior engineers as well as students *Proceedings - Offshore Technology Conference* ,1998

Federal Register ,1999-07-08 **A Guide to Coalbed Methane Operations** Vicki A. Hollub,Paul S. Schafer,1992

The Oil and Gas Journal ,1930 *Petroleum Engineering Handbook* Howard B. Bradley,Fred W. Gipson,1987

Proceedings ... SPE Annual Technical Conference and Exhibition Society of Petroleum Engineers (U.S.). Technical Conference and Exhibition,1992 **The Standard and Poor's 500 Guide** Standard & Poor's,2005-12 Text and statistical data on 500 individual companies **Drilling International** ,1967 **Petroleum Engineer International** ,1982

Petroleum Engineering Handbook Larry W. Lake,2006 The Petroleum Engineering Handbook has long been recognized as a valuable comprehensive reference book that offers practical day to day applications for students and experienced engineering professionals alike The Petroleum Engineering Handbook is now a series of 7 volumes Volume IV

Production Operations Engineering will bring readers up to date in the areas of design equipment selection and operation procedures for most oil and gas wells Chapters cover three main topic areas well completions problems caused by formation damage and artificial lift a major concern for production engineers **Training Manual** United States. Army. Signal Corps,1925

Unveiling the Magic of Words: A Overview of "**Wireline Operations Manual**"

In a global defined by information and interconnectivity, the enchanting power of words has acquired unparalleled significance. Their ability to kindle emotions, provoke contemplation, and ignite transformative change is really awe-inspiring. Enter the realm of "**Wireline Operations Manual**," a mesmerizing literary masterpiece penned by way of a distinguished author, guiding readers on a profound journey to unravel the secrets and potential hidden within every word. In this critique, we shall delve into the book is central themes, examine its distinctive writing style, and assess its profound affect the souls of its readers.

https://py.bijouxmedusa.com/data/virtual-library/Download_PDFS/solution_for_statistical_mechanics_pathria.pdf

Table of Contents Wireline Operations Manual

1. Understanding the eBook Wireline Operations Manual
 - The Rise of Digital Reading Wireline Operations Manual
 - Advantages of eBooks Over Traditional Books
2. Identifying Wireline Operations Manual
 - Exploring Different Genres
 - Considering Fiction vs. Non-Fiction
 - Determining Your Reading Goals
3. Choosing the Right eBook Platform
 - Popular eBook Platforms
 - Features to Look for in an Wireline Operations Manual
 - User-Friendly Interface
4. Exploring eBook Recommendations from Wireline Operations Manual
 - Personalized Recommendations
 - Wireline Operations Manual User Reviews and Ratings
 - Wireline Operations Manual and Bestseller Lists

5. Accessing Wireline Operations Manual Free and Paid eBooks
 - Wireline Operations Manual Public Domain eBooks
 - Wireline Operations Manual eBook Subscription Services
 - Wireline Operations Manual Budget-Friendly Options
6. Navigating Wireline Operations Manual eBook Formats
 - ePub, PDF, MOBI, and More
 - Wireline Operations Manual Compatibility with Devices
 - Wireline Operations Manual Enhanced eBook Features
7. Enhancing Your Reading Experience
 - Adjustable Fonts and Text Sizes of Wireline Operations Manual
 - Highlighting and Note-Taking Wireline Operations Manual
 - Interactive Elements Wireline Operations Manual
8. Staying Engaged with Wireline Operations Manual
 - Joining Online Reading Communities
 - Participating in Virtual Book Clubs
 - Following Authors and Publishers Wireline Operations Manual
9. Balancing eBooks and Physical Books Wireline Operations Manual
 - Benefits of a Digital Library
 - Creating a Diverse Reading Collection Wireline Operations Manual
10. Overcoming Reading Challenges
 - Dealing with Digital Eye Strain
 - Minimizing Distractions
 - Managing Screen Time
11. Cultivating a Reading Routine Wireline Operations Manual
 - Setting Reading Goals Wireline Operations Manual
 - Carving Out Dedicated Reading Time
12. Sourcing Reliable Information of Wireline Operations Manual
 - Fact-Checking eBook Content of Wireline Operations Manual
 - Distinguishing Credible Sources
13. Promoting Lifelong Learning

- Utilizing eBooks for Skill Development
 - Exploring Educational eBooks
14. Embracing eBook Trends
- Integration of Multimedia Elements
 - Interactive and Gamified eBooks

Wireline Operations Manual Introduction

Free PDF Books and Manuals for Download: Unlocking Knowledge at Your Fingertips In today's fast-paced digital age, obtaining valuable knowledge has become easier than ever. Thanks to the internet, a vast array of books and manuals are now available for free download in PDF format. Whether you are a student, professional, or simply an avid reader, this treasure trove of downloadable resources offers a wealth of information, conveniently accessible anytime, anywhere. The advent of online libraries and platforms dedicated to sharing knowledge has revolutionized the way we consume information. No longer confined to physical libraries or bookstores, readers can now access an extensive collection of digital books and manuals with just a few clicks. These resources, available in PDF, Microsoft Word, and PowerPoint formats, cater to a wide range of interests, including literature, technology, science, history, and much more. One notable platform where you can explore and download free Wireline Operations Manual PDF books and manuals is the internet's largest free library. Hosted online, this catalog compiles a vast assortment of documents, making it a veritable goldmine of knowledge. With its easy-to-use website interface and customizable PDF generator, this platform offers a user-friendly experience, allowing individuals to effortlessly navigate and access the information they seek. The availability of free PDF books and manuals on this platform demonstrates its commitment to democratizing education and empowering individuals with the tools needed to succeed in their chosen fields. It allows anyone, regardless of their background or financial limitations, to expand their horizons and gain insights from experts in various disciplines. One of the most significant advantages of downloading PDF books and manuals lies in their portability. Unlike physical copies, digital books can be stored and carried on a single device, such as a tablet or smartphone, saving valuable space and weight. This convenience makes it possible for readers to have their entire library at their fingertips, whether they are commuting, traveling, or simply enjoying a lazy afternoon at home. Additionally, digital files are easily searchable, enabling readers to locate specific information within seconds. With a few keystrokes, users can search for keywords, topics, or phrases, making research and finding relevant information a breeze. This efficiency saves time and effort, streamlining the learning process and allowing individuals to focus on extracting the information they need. Furthermore, the availability of free PDF books and manuals fosters a culture of continuous learning. By removing financial barriers, more people can access educational resources and pursue lifelong learning, contributing to personal

growth and professional development. This democratization of knowledge promotes intellectual curiosity and empowers individuals to become lifelong learners, promoting progress and innovation in various fields. It is worth noting that while accessing free Wireline Operations Manual PDF books and manuals is convenient and cost-effective, it is vital to respect copyright laws and intellectual property rights. Platforms offering free downloads often operate within legal boundaries, ensuring that the materials they provide are either in the public domain or authorized for distribution. By adhering to copyright laws, users can enjoy the benefits of free access to knowledge while supporting the authors and publishers who make these resources available. In conclusion, the availability of Wireline Operations Manual free PDF books and manuals for download has revolutionized the way we access and consume knowledge. With just a few clicks, individuals can explore a vast collection of resources across different disciplines, all free of charge. This accessibility empowers individuals to become lifelong learners, contributing to personal growth, professional development, and the advancement of society as a whole. So why not unlock a world of knowledge today? Start exploring the vast sea of free PDF books and manuals waiting to be discovered right at your fingertips.

FAQs About Wireline Operations Manual Books

How do I know which eBook platform is the best for me? Finding the best eBook platform depends on your reading preferences and device compatibility. Research different platforms, read user reviews, and explore their features before making a choice. Are free eBooks of good quality? Yes, many reputable platforms offer high-quality free eBooks, including classics and public domain works. However, make sure to verify the source to ensure the eBook credibility. Can I read eBooks without an eReader? Absolutely! Most eBook platforms offer webbased readers or mobile apps that allow you to read eBooks on your computer, tablet, or smartphone. How do I avoid digital eye strain while reading eBooks? To prevent digital eye strain, take regular breaks, adjust the font size and background color, and ensure proper lighting while reading eBooks. What the advantage of interactive eBooks? Interactive eBooks incorporate multimedia elements, quizzes, and activities, enhancing the reader engagement and providing a more immersive learning experience. Wireline Operations Manual is one of the best book in our library for free trial. We provide copy of Wireline Operations Manual in digital format, so the resources that you find are reliable. There are also many Ebooks of related with Wireline Operations Manual. Where to download Wireline Operations Manual online for free? Are you looking for Wireline Operations Manual PDF? This is definitely going to save you time and cash in something you should think about. If you trying to find then search around for online. Without a doubt there are numerous these available and many of them have the freedom. However without doubt you receive whatever you purchase. An alternate way to get ideas is always to check another Wireline Operations Manual. This method

for see exactly what may be included and adopt these ideas to your book. This site will almost certainly help you save time and effort, money and stress. If you are looking for free books then you really should consider finding to assist you try this. Several of Wireline Operations Manual are for sale to free while some are payable. If you arent sure if the books you would like to download works with for usage along with your computer, it is possible to download free trials. The free guides make it easy for someone to free access online library for download books to your device. You can get free download on free trial for lots of books categories. Our library is the biggest of these that have literally hundreds of thousands of different products categories represented. You will also see that there are specific sites catered to different product types or categories, brands or niches related with Wireline Operations Manual. So depending on what exactly you are searching, you will be able to choose e books to suit your own need. Need to access completely for Campbell Biology Seventh Edition book? Access Ebook without any digging. And by having access to our ebook online or by storing it on your computer, you have convenient answers with Wireline Operations Manual To get started finding Wireline Operations Manual, you are right to find our website which has a comprehensive collection of books online. Our library is the biggest of these that have literally hundreds of thousands of different products represented. You will also see that there are specific sites catered to different categories or niches related with Wireline Operations Manual So depending on what exactly you are searching, you will be able to choose ebook to suit your own need. Thank you for reading Wireline Operations Manual. Maybe you have knowledge that, people have search numerous times for their favorite readings like this Wireline Operations Manual, but end up in harmful downloads. Rather than reading a good book with a cup of coffee in the afternoon, instead they juggled with some harmful bugs inside their laptop. Wireline Operations Manual is available in our book collection an online access to it is set as public so you can download it instantly. Our digital library spans in multiple locations, allowing you to get the most less latency time to download any of our books like this one. Merely said, Wireline Operations Manual is universally compatible with any devices to read.

Find Wireline Operations Manual :

[solution for statistical mechanics pathria](#)

[solving dsge models with perturbation methods and a change](#)

[software engineering project management](#)

[sliding filament project for honors anatomy physiology](#)

~~[solution of linear algebra matrix by abdur rahman pdf](#)~~

~~[solution fluid mechanics streeter wylie](#)~~

[sports marketing fetchko roy download pdf ebooks about sports marketing fetchko roy or read online pdf viewer search kind](#)

**solution manual to geotechnical earthquake engineering kramer
smile and sisters the box set raina telgemeier**

[soluzioni libro con la matematica geometria 3](#)

solution advanced fluid mechanics currie free

[springer lecture notes impact factor](#)

[soalan latihan sejarah tingkatan](#)

solar thermal energy systems analysis and design

[smell and taste lab report 31 answers](#)

Wireline Operations Manual :

[tobin principles and practice of mechanical ventilation](#) - Mar 03 2023

web a series of 10 chapters then reviews specific applications of mechanical ventilation including needs of the pediatric patient mechanical ventilation during resuscitation

principles and practice of mechanical ventilation - Mar 23 2022

web principles practice of mechanical ventilation 3e comprehensively covers the principles and practice of keeping patients alive through the use of mechanical

principles and practice of mechanical ventilation third edition - Feb 19 2022

web 68 chapters that explore every important aspect of mechanical ventilation including conventional and unconventional methods of ventilator support noninvasive

[chapter 6 assist control ventilation principles and practice of](#) - Nov 30 2022

web aug 22 2012 principles and practice of mechanical ventilation third edition martin j tobin mcgraw hill professional aug 22 2012 medical 1472 pages the definitive

chapter 7 intermittent mandatory ventilation principles and - Jul 27 2022

web nov 10 2023 understanding the principles of mechanical ventilation is essential for providing adequate support to patients with respiratory failure the basic principles of

[principles and practice of mechanical ventilation third edition](#) - Jan 21 2022

web discover and share books you love on goodreads

[principles of mechanical ventilation thoracic key](#) - Aug 08 2023

web read principles and practice of mechanical ventilation 3e online now exclusively on accessanesthesiology
accessanesthesiology is a subscription based resource from

[principles of mechanical ventilation explained respiratory](#) - May 25 2022

web may 15 2006 principles and practice of mechanical ventilation martin tobin google books principles and practice of mechanical ventilation martin tobin mcgraw hill

[principles and practice of mechanical ventilation](#) - Jun 25 2022

web dec 3 2022 mechanical ventilation is widely used in intensive care units in this chapter we review the historical aspects that allowed the development of modern ventilation

[principles and practice of mechanical ventilation third edition](#) - Sep 28 2022

web read this chapter of principles and practice of mechanical ventilation 3e online now exclusively on accessanesthesiology accessanesthesiology is a subscription based

[principles and practice of mechanical ventilation third edition](#) - Dec 20 2021

[principles and practice of mechanical ventilation third edition](#) - Aug 28 2022

web dec 1 2006 principles and practice of mechanical ventilation 2nd edn m j tobin editor published by mcgraw hill new york usa pp 1442 indexed illustrated price

principles and practice of mechanical ventilation - Jul 07 2023

web principles and practice of mechanical ventilation publication date 2006 topics respiratory therapy respirators medical equipment artificial respiration respiration

principles and practice of mechanical ventilation 3rd ed - Apr 04 2023

web contributors read this chapter of principles and practice of mechanical ventilation 3e online now exclusively on accessanesthesiology accessanesthesiology is a

loading interface goodreads - Nov 18 2021

[principles of mechanical ventilation springerlink](#) - Apr 23 2022

web 68 chapters that explore every important aspect of mechanical ventilation including conventional and unconventional methods of ventilator support noninvasive

[principles and practice of mechanical ventilation](#) - Oct 30 2022

web the third edition of principles and practice of mechanical ventilation is simply excellent it can not miss in the library of the medical critical care practitioner the book offers

principles and practice of mechanical - Jan 01 2023

web dec 28 1994 this paper proposes a logical nomenclature for mechanical ventilation modes akin to biological taxonomy

and suggests that the clinical goals of mechanical

principles and practice of mechanical ventilation third edition - Oct 10 2023

web sep 1 2014 dr tobin s principles and practice of mechanical ventilation is a classic text that continues to provide practitioners of today the most comprehensive reference to mechanical ventilation with updates of new knowledge and advances the third edition

principles and practice of mechanical ventilation free download - May 05 2023

web flag for inappropriate content download now of 1585 principles and practice of mechanical ventilation f notice medicine is an ever changing science as new research

principles and practice of mechanical ventilation pdf - Sep 09 2023

web principles and practice of mechanical ventilation j scott published 1 february 1995 medicine view via publisher save to library

contributors principles and practice of mechanical ventilation - Feb 02 2023

web read this chapter of principles and practice of mechanical ventilation 3e online now exclusively on accessmedicine accessmedicine is a subscription based resource from

principles and practice of mechanical ventilation 3e - Jun 06 2023

web principles and practice of mechanical ventilation 3rd ed gurung puncho md higgins thomas l md mba author information anesthesia analgesia november 2013

lalkitabpustakmahal copy old ariavara - Jan 28 2022

web pustak mahal product compare 0 show sort by 100 inr 150 00 ex tax inr 150 00 add to cart add to wish list compare this product 71 fun

lal kitab a rare book on astrology u c mahajan pustak - Jan 08 2023

web apr 27 2013 get the digital subscription of lal kitab of astrology e book in english by pustak mahal book read online and download book in app to read offline on iphone

lal kitab a rare book on astrology google books - Jul 14 2023

lal kitab system of progression and curative measure by r s chillar sagar publications 2004 isbn 81 7082 050 2 rup chand joshi 1941 lal kitab volume 3 via internet archive u c mahajan 2004 lal kitab a rare book on astrology pustak mahal isbn 81 223 0884 8

lal kitab on apple books - Apr 11 2023

web about this ebook arrow forward the lal kitab a rare book in urdu was popular in north west india pakistan iran and many other countries this english version has added new

masalistanbul figen yaman coşar fiyat satın al d r - Oct 25 2021

web lâl masallar hikaye kitap Özeti Âzer ile yadigâr muradhan ile selvihan ya da bir billûr köşk masalı ve ulak ile sadrazam adlı üç uzun hikâyeden oluşan lâl masallar

[lal kitab a rare book on astrology google books](#) - May 12 2023

web aug 22 2004 a book on astrology horoscope reading made easy was published in 2000 by pustak mahal authored by prof u c mahajan this english version of lal kitab is

lal kitab pustak mahal uniport edu ng - Nov 25 2021

web İnce kapak kayıp İsimler krallığı 2 islık ve tuzak figen yaman coşar 7 52 50 tl 49 00 tl erdem Çocuk son 30 günün en düşük fiyatı sepete ekle İnce kapak

[lal kitab a rare book on astrology hardcover 2004 biblio](#) - Nov 06 2022

web pages of lal kitab pustak mahal a mesmerizing literary creation penned by way of a celebrated wordsmith readers set about an enlightening odyssey unraveling the

lal kitab pustak mahal wp publish com - Oct 05 2022

web details a book on astrology horoscope reading made easy was published in 2000 by pustak mahal authored by prof u c mahajan this english version of lal kitab is an

lal kitab december 30 2004 edition open library - Feb 09 2023

web a book on astrology horoscope reading made easy was published in 2000 by pustak mahal authored by prof u c mahajan the english version of lal kitab is an extension

pustak mahal books tagged english bookkish - Apr 30 2022

web lal kitab a rare book 382 50 450 00 add to cart chinese astrology and fortune telling english 128 00 150 00 add to cart prashan kundali darpan

routemybook buy lal kitab a rare book of astrology by - Aug 03 2022

web jan 31 2011 by prof u c mahajan a book on astrology horoscope reading made easy was published in 2000 by pustak mahal authored by prof u c mahajan this english

preview as pdf pustak mahal yumpu - Jun 01 2022

web pustak mahal books lal kitab a rare book on astrology lal kitab rare book on astrology chinese astrology and fortune telling phalit jyotish sutra

lal kitab by prof u c mahajan ebook barnes noble - Jul 02 2022

web may 4 2013 preview as pdf pustak mahal en his interest in astrology began when he came across old urdu editions of lal kitab since the br nuances of these books

pustak mahal books bookkish india - Mar 30 2022

web inr 195 00 100 prescriptions that will shape your personality inr 295 00 100 way s to bring out your best inr 150 00 31
mantra for personality development inr 175 00

lal kitab of astrology e book in english by pustak mahal - Dec 07 2022

web dec 15 2004 title lal kitab a rare book on astrology author mahajan u c binding hardcover edition revised enlarg
language eng publisher pustak mahal new

pustakmahal com - Feb 26 2022

web the lal kitab a rare book in urdu was popular in north west india pakistan iran and many other countries this english
version has added new dimensions to make it more lucid

pustak mahal lal kitab 9086a raajkart - Sep 04 2022

web lal kitab a rare book of astrology author pustak mahal editorial board no customer reviews add to wishlist bulk orders 5
ditional cash back on routemybook app get

lal kitab of astrology pustakmahal com - Aug 15 2023

web aug 22 2004 pustak mahal aug 22 2004 astrology 336 pages 3 reviews reviews aren t verified but google checks for and
removes fake content when it s identified the

lâl masallar hikaye kitap Özeti evvel cevap - Sep 23 2021

lal kitab wikipedia - Jun 13 2023

web aug 22 2004 u c mahajan pustak mahal aug 22 2004 astrology 336 pages 8 reviews reviews aren t verified but google
checks for and removes fake content when

lal kitab a rare book on astrology google play - Mar 10 2023

web dec 30 2004 lal kitab by v c mahajan december 30 2004 pustak mahal india edition hardcover

pustak mahal - Dec 27 2021

web jul 8 2023 lal kitab pustak mahal 2 7 downloaded from uniport edu ng on july 8 2023 by guest lal kitab u c mahajan
2004 08 22 the lal kitab a rare book in urdu was

of mice and men vocabulary steinbeck in the schools - Jul 03 2022

web students will define new vocabulary words from of mice and men and place them on a word wall students will identify
the etymology of many of the words students will be able to use these new words in sentences short skits

chapter 1 study guide answer key of mice and men - Nov 07 2022

web of mice and men chapter 1 reading and study guide pages 1 15 vocabulary be able to define the following words and

understand them when they appear in the novel bindle slang bindle as in a bundle of bedding

of mice and men questions answers sparknotes - Mar 11 2023

web of mice and men argues that on the bottom rung of the american economy the destitute are left with only stark and terrible choices why does lennie have a dead mouse in his pocket as the story begins lennie has a dead mouse in his pocket because he likes to pet soft things but doesn't know his own strength and accidentally killed the mouse

of mice and men chapters 1 and 2 vocabulary quizlet - Sep 05 2022

web start studying of mice and men chapters 1 and 2 vocabulary learn vocabulary terms and more with flashcards games and other study tools

of mice and men vocabulary chapter 2 flashcards quizlet - Oct 06 2022

web of mice and men vocabulary chapter 2 learn with flashcards games and more for free

[vocabulary of mice and men](#) - Dec 08 2022

web vocabulary of mice and men of mice and men mrs garsky mrs caporuscio i can statements i can infer the meaning of unknown words using context clues i can gather vocabulary knowledge independently when considering a word or phrase important to comprehension or expression i can use grade appropriate vocabulary in my own writing

of mice and men vocabulary flashcards quizlet - Apr 12 2023

web ms kravit's of mice and men vocabulary all 50 vocab and synonyms learn with flashcards games and more for free

[of mice and men vocabulary list vocabulary com](#) - Aug 16 2023

web oct 21 2012 a vocabulary list featuring of mice and men here are 100 key words for understanding john steinbeck's 1937 tragic novel of mice and men set during the great depression in california

[mice and men vocabulary answer key](#) - Jun 02 2022

web vocabulary while improving comprehension skills this best selling series teaches strategies for test success and helps children understand that words matter of mice and men close reading and text dependent questions kristen kemp 2015 06 26 students analyze of mice and men using key skills for college and career readiness close

[of mice and men chapter one vocabulary williams english iii](#) - Dec 28 2021

web sep 20 2013 of mice and men chapter one vocabulary williams english iii vocabulary list vocabulary com literature [of mice and men macmillan education](#) - Jul 15 2023

web upper level exercises answer keys macmillan readers of mice and men 1 this page has been downloaded from vocabulary verbs and nouns a 1 keep a secret 2 pull the trigger upper level exercises answer keys macmillan readers of mice and men 3 this page has been downloaded from macmillanenglish.com

of mice and men tier 2 vocabulary awaken english - Aug 04 2022

web mar 8 2020 of mice and men tier 2 vocabulary march 8 2020 by jancke dunn tier 2 vocabulary to support the teaching and learning of great expectations to english language learners arabic translations included to support esl and eal students [of mice and men study guide sparknotes](#) - Mar 31 2022

web explore our selection of frequently asked questions about of mice and men and find the answers you need why did steinbeck choose the title of mice and men what happened in weed

student packet wappingers central school district - Feb 27 2022

web detailed answer key note the text used to prepare this guide was the bantam softcover edition answer in the yes no column and then explain what the correlation is or why you feel mice and men vocabulary quiz pg 2 14 amuse i was by the school play

[of mice and men vocabulary and key terms thoughtco](#) - May 13 2023

web dec 25 2018 of mice and men vocabulary and key terms humanities literature of mice and men vocabulary overview summary characters themes key quotes vocabulary quiz by quentin cohan published on december 25 2018 of mice and men is written in simple language reflecting the understated nature of the world in which it takes

[of mice and men vocabulary section 1 flashcards quizlet](#) - Jan 09 2023

web imperiously arrogantly or overbearing or domineering yammered to complain peevishly or whimperingly whine brusquely a blunt direct manner junctures lace where two things are joined droned make a continued low dull humming sound lumbered to walk or move with heavy clumsiness morosely sullenly melancholy pantomime

flashcards of mice and men vocabulary com - Jun 14 2023

web learn vocabulary with flashcards here are 100 key words for understanding john steinbeck s 1937 tragic novel of mice and men set during the great depression in california

of mice and men mrs poore - May 01 2022

web of mice and men published in 1937 and the grapes of wrath published in 1939 were arguably steinbeck s most famous and controversial novels of mice and men was originally conceived as a play and after steinbeck re wrote the novelette for the stage it received the drama critics circle award in 1937 and was nominated for a pulitzer prize

[of mice and men answer key to the study guide quizlet](#) - Feb 10 2023

web lennie i don like this place george this ain t no good place i wanna get outa here slim never you mind he said a guy got to sometimes george she s gonna make a mess they s gonna be a bad mess about her she s jail bait all set on the trigger crooks nobody never gets to heaven and nobody gets no land crooks

[of mice and men vocabulary steinbeck in the schools of mice](#) - Jan 29 2022

web students becomes setup new vocabulary terms from of mice and men the place them on a word wall students is identify

the source off many concerning the words student desire be able go employ these brand words in sentences short skits
company students must up appreciate or define talk upon to novel with which they are not familiar