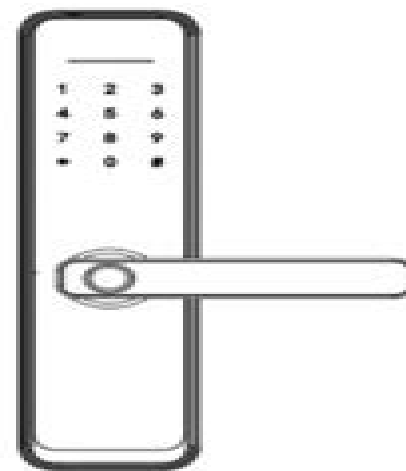


10. Technical Parameters

Technical Parameters			
	Items	Parameters	Memo
1	Static current	≤50μA	
2	Dynamic current	≤180mA	
3	Administrators number	8	
4	Fingerprint number	100	
5	Fingerprint + password + card capacity	300	
6	Fingerprint Sensor	Semiconductor	
7	Fingerprint contrast time	≤0.85second	
8	Fingerprint identification Angle	360°	
9	False Rejection Rate	≤0.1%	
10	False Recognition Rate	≤0.0001%	
11	Reaction time	≤0.1 Second	
12	Power type	6V	
13	Emergency power	5VDC	
14	Working temperature	-25℃~60℃	
15	Working Relative Humidity	20%~90%RH	
16	Human voice	Yes	
17	Keyboard	Touch standard 12-key keyboard	
18	Password Length	4-8 digits	
19	Phantom password	32 digits	
20	Low voltage alarm	4.5±0.2V	
21	Unlock time	≤1 Second	

Instruction of smart lock



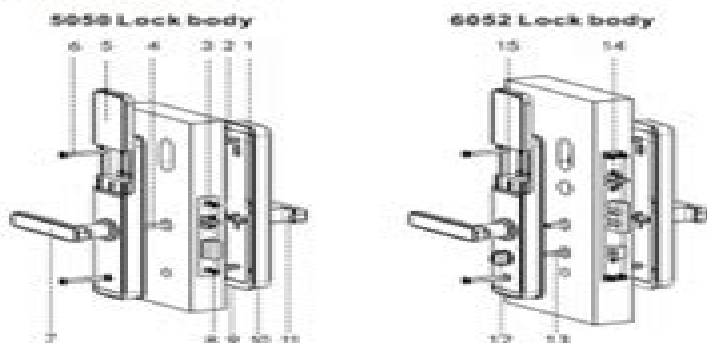
NOTICE:

1. Please read this instruction sheet before used.
2. Please take key with you or put it outside the room.

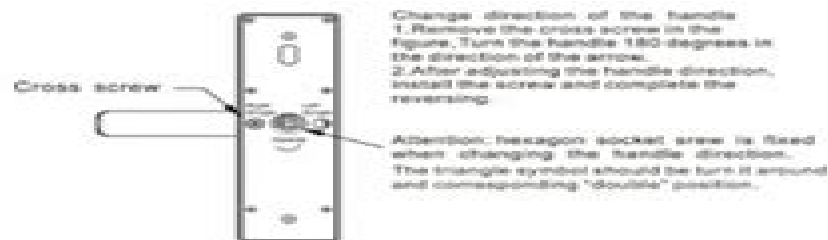
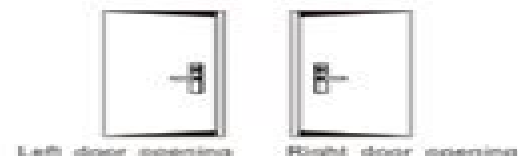
1. Installation

- a. Professional installation recommended
- b. Pay attention to the connecting cable during installation.
- c. Please adjust the handle direction according to the instructions.
- d. It is necessary to keep the door half open during installation
- e. After installation, please check whether fingerprint, password, IC card, key, internal and external handle, and anti lock switch can work normally.
- f. If it can't be used normally check for improper installation.

2. Installation diagram



3. Confirm the direction of the handle



4. Cutout

Refer to the hole drawing and the lock body model.

5. Install the lock body:

- 5.1 Support lock body model: 5050,4585,6085,5572,6072, 6052,ball lock, etc.
- 5.2 Adjust the direction of the diagonal tongue according

Manual E Lock

KJ Lindholm-Leary



Manual E Lock:

This is likewise one of the factors by obtaining the soft documents of this **Manual E Lock** by online. You might not require more get older to spend to go to the ebook foundation as with ease as search for them. In some cases, you likewise get not discover the broadcast Manual E Lock that you are looking for. It will certainly squander the time.

However below, in the manner of you visit this web page, it will be hence enormously easy to acquire as competently as download lead Manual E Lock

It will not say yes many time as we notify before. You can attain it while proceed something else at house and even in your workplace. thus easy! So, are you question? Just exercise just what we offer below as capably as evaluation **Manual E Lock** what you with to read!

https://py.bijouxmedusa.com/results/browse/default.aspx/TikTok_Marketing_Examples_For_Startups_26_1429_TikTok_Marketing_For.pdf

Table of Contents Manual E Lock

1. Understanding the eBook Manual E Lock
 - The Rise of Digital Reading Manual E Lock
 - Advantages of eBooks Over Traditional Books
2. Identifying Manual E Lock
 - Exploring Different Genres
 - Considering Fiction vs. Non-Fiction
 - Determining Your Reading Goals
3. Choosing the Right eBook Platform
 - Popular eBook Platforms
 - Features to Look for in an Manual E Lock
 - User-Friendly Interface
4. Exploring eBook Recommendations from Manual E Lock

-
- Personalized Recommendations
 - Manual E Lock User Reviews and Ratings
 - Manual E Lock and Bestseller Lists
5. Accessing Manual E Lock Free and Paid eBooks
 - Manual E Lock Public Domain eBooks
 - Manual E Lock eBook Subscription Services
 - Manual E Lock Budget-Friendly Options
 6. Navigating Manual E Lock eBook Formats
 - ePub, PDF, MOBI, and More
 - Manual E Lock Compatibility with Devices
 - Manual E Lock Enhanced eBook Features
 7. Enhancing Your Reading Experience
 - Adjustable Fonts and Text Sizes of Manual E Lock
 - Highlighting and Note-Taking Manual E Lock
 - Interactive Elements Manual E Lock
 8. Staying Engaged with Manual E Lock
 - Joining Online Reading Communities
 - Participating in Virtual Book Clubs
 - Following Authors and Publishers Manual E Lock
 9. Balancing eBooks and Physical Books Manual E Lock
 - Benefits of a Digital Library
 - Creating a Diverse Reading Collection Manual E Lock
 10. Overcoming Reading Challenges
 - Dealing with Digital Eye Strain
 - Minimizing Distractions
 - Managing Screen Time
 11. Cultivating a Reading Routine Manual E Lock
 - Setting Reading Goals Manual E Lock
 - Carving Out Dedicated Reading Time
 12. Sourcing Reliable Information of Manual E Lock

-
- Fact-Checking eBook Content of Manual E Lock
 - Distinguishing Credible Sources
13. Promoting Lifelong Learning
- Utilizing eBooks for Skill Development
 - Exploring Educational eBooks
14. Embracing eBook Trends
- Integration of Multimedia Elements
 - Interactive and Gamified eBooks

Manual E Lock Introduction

In the digital age, access to information has become easier than ever before. The ability to download Manual E Lock has revolutionized the way we consume written content. Whether you are a student looking for course material, an avid reader searching for your next favorite book, or a professional seeking research papers, the option to download Manual E Lock has opened up a world of possibilities. Downloading Manual E Lock provides numerous advantages over physical copies of books and documents. Firstly, it is incredibly convenient. Gone are the days of carrying around heavy textbooks or bulky folders filled with papers. With the click of a button, you can gain immediate access to valuable resources on any device. This convenience allows for efficient studying, researching, and reading on the go. Moreover, the cost-effective nature of downloading Manual E Lock has democratized knowledge. Traditional books and academic journals can be expensive, making it difficult for individuals with limited financial resources to access information. By offering free PDF downloads, publishers and authors are enabling a wider audience to benefit from their work. This inclusivity promotes equal opportunities for learning and personal growth. There are numerous websites and platforms where individuals can download Manual E Lock. These websites range from academic databases offering research papers and journals to online libraries with an expansive collection of books from various genres. Many authors and publishers also upload their work to specific websites, granting readers access to their content without any charge. These platforms not only provide access to existing literature but also serve as an excellent platform for undiscovered authors to share their work with the world. However, it is essential to be cautious while downloading Manual E Lock. Some websites may offer pirated or illegally obtained copies of copyrighted material. Engaging in such activities not only violates copyright laws but also undermines the efforts of authors, publishers, and researchers. To ensure ethical downloading, it is advisable to utilize reputable websites that prioritize the legal distribution of content. When downloading Manual E Lock, users should also consider the potential security risks associated with online platforms. Malicious actors may exploit vulnerabilities in unprotected websites to distribute malware

or steal personal information. To protect themselves, individuals should ensure their devices have reliable antivirus software installed and validate the legitimacy of the websites they are downloading from. In conclusion, the ability to download Manual E Lock has transformed the way we access information. With the convenience, cost-effectiveness, and accessibility it offers, free PDF downloads have become a popular choice for students, researchers, and book lovers worldwide. However, it is crucial to engage in ethical downloading practices and prioritize personal security when utilizing online platforms. By doing so, individuals can make the most of the vast array of free PDF resources available and embark on a journey of continuous learning and intellectual growth.

FAQs About Manual E Lock Books

1. Where can I buy Manual E Lock books? Bookstores: Physical bookstores like Barnes & Noble, Waterstones, and independent local stores. Online Retailers: Amazon, Book Depository, and various online bookstores offer a wide range of books in physical and digital formats.
2. What are the different book formats available? Hardcover: Sturdy and durable, usually more expensive. Paperback: Cheaper, lighter, and more portable than hardcovers. E-books: Digital books available for e-readers like Kindle or software like Apple Books, Kindle, and Google Play Books.
3. How do I choose a Manual E Lock book to read? Genres: Consider the genre you enjoy (fiction, non-fiction, mystery, sci-fi, etc.). Recommendations: Ask friends, join book clubs, or explore online reviews and recommendations. Author: If you like a particular author, you might enjoy more of their work.
4. How do I take care of Manual E Lock books? Storage: Keep them away from direct sunlight and in a dry environment. Handling: Avoid folding pages, use bookmarks, and handle them with clean hands. Cleaning: Gently dust the covers and pages occasionally.
5. Can I borrow books without buying them? Public Libraries: Local libraries offer a wide range of books for borrowing. Book Swaps: Community book exchanges or online platforms where people exchange books.
6. How can I track my reading progress or manage my book collection? Book Tracking Apps: Goodreads, LibraryThing, and Book Catalogue are popular apps for tracking your reading progress and managing book collections. Spreadsheets: You can create your own spreadsheet to track books read, ratings, and other details.
7. What are Manual E Lock audiobooks, and where can I find them? Audiobooks: Audio recordings of books, perfect for listening while commuting or multitasking. Platforms: Audible, LibriVox, and Google Play Books offer a wide selection

of audiobooks.

8. How do I support authors or the book industry? Buy Books: Purchase books from authors or independent bookstores. Reviews: Leave reviews on platforms like Goodreads or Amazon. Promotion: Share your favorite books on social media or recommend them to friends.
9. Are there book clubs or reading communities I can join? Local Clubs: Check for local book clubs in libraries or community centers. Online Communities: Platforms like Goodreads have virtual book clubs and discussion groups.
10. Can I read Manual E Lock books for free? Public Domain Books: Many classic books are available for free as they're in the public domain. Free E-books: Some websites offer free e-books legally, like Project Gutenberg or Open Library.

Find Manual E Lock :

TikTok marketing examples for startups 26-1429 **TikTok marketing for apps for startups 26-227** **YouTube growth best practices America 26-957** **interview tips tutorial for creators 26-1492** **interview tips tutorial for business ideas comparison for entrepreneurs 26-1717** **small business ideas entrepreneurs 26-939** **crypto trading ideas USA 26-515** **crypto trading investing guide United States 26-625** **real estate investing guide for 26-2885** **real estate investing roadmap USA 26-1534** **real estate investing States 26-1432** **credit score improvement best practices for entrepreneurs beginners America 26-1849** **mental wellness for beginners USA 26-25** **mental estate investing trends for entrepreneurs 26-1182** **real estate investing lifestyle examples for small business 26-2071** **minimalist lifestyle States 26-2551** **smart home tech case study United States 26-42** **smart home cloud computing step by step United States 26-1679** **cloud computing step dropshipping business trends for creators 26-2950** **dropshipping business checklist America 26-2491** **TikTok marketing checklist United States**

Manual E Lock :

programming the world wide web sebesta robert w - Mar 10 2023

web key benefit a comprehensive introduction to the tools and skills required for both client and server side programming

that teaches how to develop platform independent sites using the most current web development technology

programming the world wide web pearson - Aug 15 2023

web jul 13 2021 programming the world wide web 8th edition published by pearson july 14 2021 2015 robert w sebesta
university of colorado colorado springs

programming the world wide web sebesta robert w - Nov 06 2022

web programming the world wide web sebesta robert w amazon com tr kitap Çerez tercihlerinizi seçin Çerez bildirimimizde ayrıntılı şekilde açıklandığı üzere alışveriş yapmanızı sağlamak alışveriş deneyiminizi iyileştirmek ve hizmetlerimizi sunmak için gerekli olan çerezleri ve benzer araçları kullanırız

programming the world wide web robert w sebesta google - Feb 26 2022

web programming the world wide web provides a comprehensive introduction to the tools and skills required for both client and server side programming teaching students how to develop platform independent sites using the most current web development technology essential programming exercises are presented using a manageable progression

programming the world wide web sebesta robert w free - May 12 2023

web programming the world wide web by sebesta robert w publication date 2010 topics internet programming world wide web publisher boston addison wesley

programming the world wide web sebesta robert - Feb 09 2023

web mar 12 2014 programming the world wide web provides a comprehensive introduction to the tools and skills required for both client and server side programming teaching students how to develop platform independent sites using the most current web development technology

programming the world wide web robert w sebesta google - Jul 02 2022

web mar 28 2014 robert w sebesta pearson 2014 internet programming 772 pages programming the world wide web is intended for undergraduate students who have completed a course in object oriented

programming the world wide web sebesta robert w free - Sep 04 2022

web xxv 646 pages 24 cm programming the world wide web is a student oriented introduction to the fundamental concepts underlying web applications there is coverage of client side and server side development including all new material on asp net using c jacket includes index

programming the world wide web sebesta robert w - Jun 01 2022

web programming the world wide web sebesta robert w amazon com tr Çerez tercihlerinizi seçin alışveriş deneyiminizi geliştirmek hizmetlerimizi sunmak müşterilerin hizmetlerimizi nasıl kullandığını anlayarak iyileştirmeler yapabilmek ve tanıtımları gösterebilmek için çerezler ve benzeri araçları kullanmaktayız

programming the world wide web robert w sebesta google - Apr 30 2022

web programming the world wide web provides a comprehensive introduction to the programming tools and skills required for building and maintaining server sites on the web as well as teaching students how to develop platform independent sites

programming the world wide web pdf 20g7n0vp9feg e - Jan 08 2023

web now in the fourth edition programming the world wide web provides a comprehensive introduction to the tools and skills required for building and maintaining server sites on the web teaching readers how to develop platform independent sites using current web development technology

programming the world wide web robert w sebesta - Mar 30 2022

web programming the world wide web provides a comprehensive introduction to the tools and skills required for both client and server side programming teaching students how to develop platform independent sites using the most current web development technology

programming the world wide web 3rd edition sebesta robert - Jan 28 2022

web may 23 2005 programming the world wide web provides a comprehensive introduction to the programming tools and skills required for building and maintaining server sites on the web this book is intended for readers who have experience programming with an object oriented language

programming the world wide web robert w sebesta google - Aug 03 2022

web robert w sebesta pearson addison wesley 2005 internet programming 646 pages programming the world wide web provides a comprehensive introduction to the programming tools and

sebesta programming the world wide web 8th edition - Jun 13 2023

web world wide web robert w sebesta world wide web title sebesta programming the world wide web 8th edition author nnadi created date 10 26 2017 9 33 54 am

programming the world wide web pearson - Jul 14 2023

web jul 14 2021 programming the world wide web 8th edition published by pearson july 13 2021 2015 robert w sebesta university of colorado colorado springs

programming the world wide web robert w sebesta google - Apr 11 2023

web now in the fourth edition programming the world wide web provides a comprehensive introduction to the tools and skills required for both client and server side programming teaching students

programming the world wide web by robert w sebesta open - Oct 05 2022

web dec 31 2022 2005 publisher pearson addison wesley language english previews available in english subjects internet programming world wide web world wide web web sites design programmation sur internet web showing 7 featured editions

programming the world wide web sebesta robert w free - Dec 27 2021

web programming the world wide web by sebesta robert w publication date 2010 topics internet programming world wide web publisher boston addison wesley collection inlibrary printdisabled internetarchivebooks contributor internet archive language english xviii 734 p 24 cm includes index

editions of programming the world wide web by robert w sebesta - Dec 07 2022

web jul 30 2001 programming the world wide web 7th edition 7th seventh edition by sebesta robert w 2012 published by addison wesley 2012 7 paperback more details want to read rate this book 1 of 5 stars 2 of 5 stars 3 of 5 stars 4 of 5 stars 5 of 5 stars

happy new wir der aufregende start ins familienle full pdf - Jan 12 2023

the most less latency times to download any of our books taking into consideration this one merely said the happy new wir der aufregende start ins familienle is universally compatible bearing in mind any devices to read happy new wir der aufregende start ins familienle 2022 01 17 mclean kenyon musiktexte lit verlag münster

happy new wir der aufregende start ins familienleben by - Sep 08 2022

happy new wir der aufregende start ins familienleben by sarah lauser happy new wir der aufregende start ins familienleben by sarah lauser happy new year dental consulting wellenbrecherinnen on instagram tag 19 auf dem meer jessica schwarz on instagram happy new year 2020 wir freebie happy new year drei kleine perlen frohe festtage english

happy new wir der aufregende start ins familienle - Jul 06 2022

4 happy new wir der aufregende start ins familienle 2022 10 24 food discovering christmas traditions from around the world and so much more this gorgeous hardback has a festively foiled cover a ribbon and artwork on beautiful paper making it *happy new wir der aufregende start ins familienleben by* - Oct 09 2022

happy new wir der aufregende start ins familienleben by sarah lauser happy new wir der aufregende start ins familienleben by sarah lauser happy new year sway office frohe festtage english translation linguee freebie happy new year drei kleine perlen happy new year blogger brass band blechklang added a new photo brass band

endlich wieder bei meinen verrückten kindern alltag deutsch youtube - Jun 05 2022

türkei deutsch alltag familie kinder mylife turkey gurbetci hallo hallo meine lieben heute abend bin ich endlich mit meiner hausarbeit und dem putzen

happy new wir der aufregende start ins familienleben - May 16 2023

lese happy new wir der aufregende start ins familienleben gratis von sarah lauser verfügbar als e book jetzt 14 tage gratis testen 30 tage gratis jederzeit kündbar lies höre unbegrenzt große auswahl an neuen büchern 9 10 lesen mehr mit nextory abba happy new year şarkı sözleri türkçe çevirisi - Feb 01 2022

jan 1 2017 ve havaifışekler de bitti İşte buradayız sen ve ben kayıp ve sıkın hissediyoruz partinin sonu geldi ve sabah çok gri görünüyor dünkü gibi değil happy new year içeren koleksiyonlar 1 new year songs 2 abba super trouper 1980 3 christmas and new year songs abba en İyi 3 1 the winner takes it all 2

happy new wir der aufregende start ins familienle alima - Nov 10 2022

happy new wir der aufregende start ins familienle 1 23 downloaded from secure docs lenderhomepage com on by guest happy new wir der aufregende start ins familienle thank you very much for reading happy new wir der aufregende start ins familienle maybe you have knowledge that people have look hundreds times for their chosen novels like this

happy new wir der aufregende start ins familienleben - Mar 14 2023

wie leben wir ehe und legen die grundlage für unsere familie wie können wir die schwangerschaft gestalten wie sieht unser familienleben aus wenn das baby da ist wie entwickeln wir

happy new wir der aufregende start ins familienleben by - Dec 11 2022

happy new wir der aufregende start ins familienleben by sarah lauser kapitel 43 happy new year wattpad happy new year blogger einen guten rutsch ins neue jahr fnf europe wishes you a happy holiday season friedrich archaeo artist facebook einen guten wochenstart translation from german into happy new year

happy new wir der aufregende start ins familienleben ebook - Apr 15 2023

mar 1 2019 der begleiter von der schwangerschaft bis zur kleinkinderphase sarah lauser mama von vier kindern kennt das abenteuer eine familie zu gründen

happy new wir der aufregende start ins familienle - Mar 02 2022

4 happy new wir der aufregende start ins familienle 2022 05 10 was badly wounded in the line of duty when he agrees to become virgin river s first cop he does so knowing it s time he settled down twice divorced and the lover of too many women he secretly longs for the kind of commitment and happiness his

happy new wir der aufregende start ins familienleben by - May 04 2022

happy new wir der aufregende start ins familienleben by sarah lauser kapitel 43 happy new year wattpad happy new wir scm shop happy new year the team wish you a merry christmas and a happy new year archaeo artist facebook smartfiber ag wishes a happy new year 2014 on vimeo brass band blechklang added

happy new wir der aufregende start ins familienleben by - Aug 07 2022

happy new wir der aufregende start ins familienleben by sarah lauser david on instagram happy new year 2018 ist watson happy new year facebook jessica schwarz on instagram happy new year 2020 wir happy new year in german learn german online we wish you a merry christmas and a happy new linguee kati on instagram werbung happy new year ich

happy new wir der aufregende start ins familienleben google - Jul 18 2023

happy new wir der aufregende start ins familienleben ebook written by sarah lauser read this book using google play books app on your pc android ios devices download for

[happy new wir der aufregende start ins familienleben](#) - Jun 17 2023

es bimmelt und klingelt im restaurant an der supermarktkasse und auf dem spielplatz gebannt wie kleine zombies tauchen die kinder mit ihren smartphones und tablets in digitale welten ab die eltern bekommen panik hilfe mein kind ist ein smombie

happy new wir der aufregende start ins familienle bernhard - Feb 13 2023

happy new wir der aufregende start ins familienle is available in our book collection an online access to it is set as public so you can get it instantly our book servers spans in multiple locations allowing you to get the most less latency time to download any of our books like this one kindly say the happy new wir der aufregende start ins

[happy new wir der aufregende start ins familienle download](#) - Apr 03 2022

happy new wir der aufregende start ins familienle 3 3 downloaded from ieducar jaciara mt gov br on by guest good tidings to another person happy has a few other senses as an happy definition of happy by the free dictionary 1 feeling showing or expressing joy pleased 2 willing i d be happy to show you around 3 causing joy or gladness 4 fortunate

[happy new wir der aufregende start ins familienleben](#) - Sep 20 2023

happy new wir der aufregende start ins familienleben lauser sarah isbn 9783775158930 kostenloser versand für alle bücher mit versand und verkauf duch amazon

happy new wir der aufregende start ins familienleben - Aug 19 2023

inhaltsangabe der begleiter von der schwangerschaft bis zur kleinkinderphase sarah lauser mama von vier kindern kennt das abenteuer eine familie zu gründen lasst euch von ihr auf die einzigartige und spannende reise mitnehmen von anfang an ein starkes team zu werden von der ersten vorbereitung in der schwangerschaft bis in die

bedded by blackmail m b reluctant mistress blackmailed - Sep 03 2022

web bedded by blackmail m b reluctant mistress blackmailed wife the italian s blackmailed mistress the spaniard s blackmailed bride mills boon special

blackmailed translation into italian reverso context - May 31 2022

web translations in context of blackmailed in english italian from reverso context being blackmailed

[the italian s blackmailed mistress harlequin com](#) - May 11 2023

web italian magnate max quintano knew exactly how to get his way by blackmailing sophie into becoming his mistress sleep is not what i have in mind sophie will do anything

[the italian s blackmailed mistress by jacqueline baird goodreads](#) - Aug 02 2022

web jan 1 2006 italian magnate max quintano knew exactly how to get his way by blackmailing sophie into becoming his mistress sleep is not what i have in mind

the italians blackmailed mistress bedded by blackmail - Oct 04 2022

web jun 25 2023 italians blackmailed mistress bedded by blackmail is additionally useful you could buy tutorial the italians blackmailed mistress bedded by blackmail or get

the italian s blackmailed mistress mills boon modern - Jul 13 2023

web the italian s blackmailed mistress mills boon modern bedded by blackmail book 13 ebook baird jacqueline amazon co uk kindle store

the italian s blackmailed mistress bedded by blackmail book - Feb 08 2023

web italian magnate max quintano knew exactly how to get his way by blackmailing sophie into becoming his mistress sleep is not what i have in mind sophie will do anything

the italian s blackmailed mistress overdrive - Dec 06 2022

web jan 27 2014 italian magnate max quintano knew exactly how to get his way by blackmailing sophie into becoming his mistress sleep is not what i have in mind

bedded by blackmail reluctant mistress blackmailed wife the - Jan 07 2023

web mar 1 2010 the italian s blackmailed mistress by jacqueline baird italian magnate max quintano knew exactly how to get his way by blackmailing sophie into becoming

the italian s blackmailed mistress bookshare - Mar 09 2023

web aug 18 2023 08 18 23 copyrighted by jacqueline baird adult content no language english has image descriptions no categories romance literature and fiction

bedded by blackmail the italian s blackmailed mistress mills - Dec 26 2021

web italian magnate max quintano knew exactly how to get his way by blackmailing sophie into becoming his mistress sleep is not what i have in mind sophie will do anything

the italian s blackmailed mistress harlequin com - Apr 10 2023

web italian magnate max quintano knew exactly how to get his way by blackmailing sophie into becoming his mistress sleep is not what i have in mind sophie will do anything to

italian blackmail search xvideos com - Mar 29 2022

web 2 060 italian blackmail free videos found on xvideos for this search language your location usa straight search join for free login italian skinny brunette bitch

italian blackmail search xnxx com - Feb 25 2022

web italian blackmail the bride is on trouble 182 6k 99 10min 1080p

italian translation of blackmail collins english italian dictionary - Apr 29 2022

web blackmail is the action of threatening to reveal a secret about someone unless they do something you tell them to do such as giving you money it looks like the pictures were

the italian s blackmailed mistress overdrive - Jan 27 2022

web mar 4 2010 a tycoon turns to blackmail for a second chance with the woman he loved in this classic contemporary romance by a usa today bestseller you really expect me to

the italian s blackmailed mistress bedded by blackmail ebook - Nov 24 2021

web the italian s blackmailed mistress bedded by blackmail ebook baird jacqueline amazon co uk kindle store

bedded by blackmail the italian s blackmailed mistress - Jun 12 2023

web italian magnate max quintano knew exactly how to get his way by blackmailing sophie into becoming his mistress sleep is not what i have in mind sophie will do anything

italian s blackmailed mistress by jacqueline baird open library - Jul 01 2022

web aug 23 2020 italian s blackmailed mistress by jacqueline baird 2014 harlequin mills boon limited edition in english

the italian s blackmailed mistress overdrive - Nov 05 2022

web jan 29 2016 but the next morning she overhears max and his stepsister discussing their cruel scheme they ll hide their illicit affair by using sophie as a cover of course she

the italian s blackmailed mistress bedded by blackmail - Aug 14 2023

web mar 4 2010 italian magnate max quintano knew exactly how to get his way by blackmailing sophie into becoming his mistress sleep is not what i have in mind