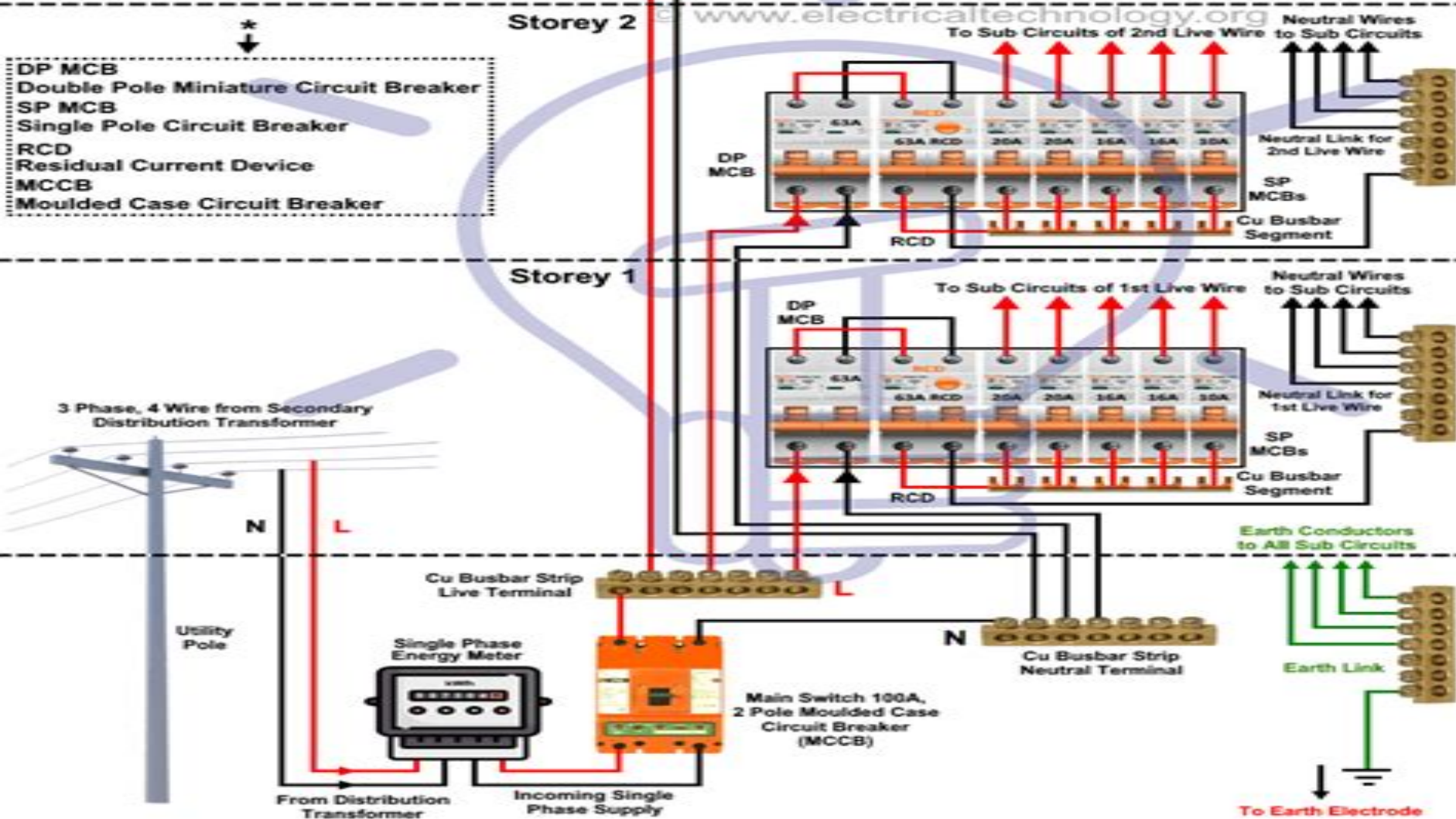


Single-Phase Electrical Wiring Installation in a Multi-Storey Building

Multi Story Building Distribution System



Building Electrical Installation

John E. Traister



Building Electrical Installation:

Electrical Installation Record, 1930 *Building Electrical Systems and Distribution Networks* Radian Belu, 2020-02-13

This book covers all important new and conventional aspects of building electrical systems power distribution lighting transformers and rotating electric machines wiring and building installations Solved examples end of chapter questions and problems case studies and design considerations are included in each chapter highlighting the concepts and diverse and critical features of building and industrial electrical systems such as electric or thermal load calculations wiring and wiring devices conduits and raceways lighting analysis calculation selection and design lighting equipment and luminaires power quality building monitoring noise control building energy envelope air conditioning and ventilation and safety Two chapters are dedicated to distributed energy generation building integrated renewable energy systems microgrids DC nanogrids power electronics energy management and energy audit methods topics which are not often included in building energy textbooks Support materials are included for interested instructors Readers are encouraged to write their own solutions while solving the problems and then refer to the solved examples for more complete understanding of the solutions concepts and theory *Design of Electrical Services for Buildings* Barrie Rigby, 2013-05-13 Electrical services are a vital component in any building so it is necessary for construction professionals to understand the basic principle of services design *Design of Electrical Services for Buildings* provides a basic grounding for students and graduates in the field It covers methods of wiring schemes of distribution and protection for lighting and power installations Systems such as alarms and standby supplies are also covered Each method is described in detail and examples of calculations are given For this fourth edition the coverage of wiring and electrical regulations have been brought fully up to date and the practical information has been revised **Model of the Electrical Installation Process in Building Construction** Walter Lee Murfee, 1999 PISA

Vocational Education and Training (VET) Assessment and Analytical Framework OECD, 2024-03-19 This report presents the conceptual foundations of the OECD Programme for International Student Assessment PISA Vocational Education and Training VET currently in the Development Phase of implementation which aims to provide a comprehensive and rigorous international survey of student knowledge and skills that are essential for success in selected occupational areas

Dictionary of Architecture and Building Construction Nikolas Davies, Erkki Jokiniemi, 2008-06-19 With more than 20 000 words and terms individually defined the Dictionary offers huge coverage for anyone studying or working in architecture construction or any of the built environment fields The innovative and detailed cross referencing system allows readers to track down elusive definitions from general subject headings Starting from only the vaguest idea of the word required a reader can quickly track down precisely the term they are looking for The book is illustrated with stunning drawings that provide a visual as well as a textual definition of both key concepts and subtle differences in meaning Davies and Jokiniemi work sets a new standard for reference books for all those interested in the buildings that surround us To browse the book

and to see how this title is an invaluable resource for both students and professionals alike visit www.architectsdictionary.com

Commercial Electrical Wiring John E. Traister, 2000 Commercial work uses more material and the work is usually smooth long lasting and more profitable than residential This updated book has the explanations examples and tips to help you comply with the parts of the NEC that apply to commercial wiring in load calculations sizing of electrical services selecting and installing overcurrent protection and more You ll also find how to read and understand symbols plans drawings and schematics common in commercial electrical work If you want to increase your work volume and profits by moving into commercial electrical work get this book

Introduction to the Design and Analysis of Building Electrical Systems John Matthews, 1993-02-28 Aimed at engineers technologies and architects this professional tutorial offers sound guidance on the analysis and design of building power and illuminations systems

The National Electrical Contractor, 1913

Inside electrical work New York (N.Y.). Committee on industrial education survey, 1918

Electrical Record and Buyer's Reference, 1913

Document Boston (Mass.), 1913

New York Review of the Telegraph and Telephone and Electrical Journal, 1898

Journals of the Legislative Assembly of Manitoba Manitoba. Legislative Assembly, 1913

Proceedings of the Common Council of the City of Milwaukee Milwaukee (Wis.). Common Council, 1916

The Internal Wiring of Buildings H. M. Leaf, 1899

Joint Volumes of Papers Presented to the Legislative Council and Legislative Assembly New South Wales. Parliament, 1910 Includes various departmental reports and reports of commissions Cf Gregory Serial publications of foreign governments 1815 1931

Electrical Review and Western Electrician with which is Consolidated Electrocraft, 1917

Electrical World, 1917

The Building Law and the Plumbing Law of the City and County of San Francisco San Francisco (Calif.), 1910

As recognized, adventure as with ease as experience nearly lesson, amusement, as with ease as pact can be gotten by just checking out a book **Building Electrical Installation** furthermore it is not directly done, you could receive even more almost this life, on the world.

We find the money for you this proper as with ease as simple exaggeration to acquire those all. We allow Building Electrical Installation and numerous books collections from fictions to scientific research in any way. among them is this Building Electrical Installation that can be your partner.

https://py.bijouxmedusa.com/About/scholarship/Download_PDFS/recette%20mystique%202015.pdf

Table of Contents Building Electrical Installation

1. Understanding the eBook Building Electrical Installation
 - The Rise of Digital Reading Building Electrical Installation
 - Advantages of eBooks Over Traditional Books
2. Identifying Building Electrical Installation
 - Exploring Different Genres
 - Considering Fiction vs. Non-Fiction
 - Determining Your Reading Goals
3. Choosing the Right eBook Platform
 - Popular eBook Platforms
 - Features to Look for in an Building Electrical Installation
 - User-Friendly Interface
4. Exploring eBook Recommendations from Building Electrical Installation
 - Personalized Recommendations
 - Building Electrical Installation User Reviews and Ratings
 - Building Electrical Installation and Bestseller Lists
5. Accessing Building Electrical Installation Free and Paid eBooks

- Building Electrical Installation Public Domain eBooks
 - Building Electrical Installation eBook Subscription Services
 - Building Electrical Installation Budget-Friendly Options
6. Navigating Building Electrical Installation eBook Formats
 - ePub, PDF, MOBI, and More
 - Building Electrical Installation Compatibility with Devices
 - Building Electrical Installation Enhanced eBook Features
 7. Enhancing Your Reading Experience
 - Adjustable Fonts and Text Sizes of Building Electrical Installation
 - Highlighting and Note-Taking Building Electrical Installation
 - Interactive Elements Building Electrical Installation
 8. Staying Engaged with Building Electrical Installation
 - Joining Online Reading Communities
 - Participating in Virtual Book Clubs
 - Following Authors and Publishers Building Electrical Installation
 9. Balancing eBooks and Physical Books Building Electrical Installation
 - Benefits of a Digital Library
 - Creating a Diverse Reading Collection Building Electrical Installation
 10. Overcoming Reading Challenges
 - Dealing with Digital Eye Strain
 - Minimizing Distractions
 - Managing Screen Time
 11. Cultivating a Reading Routine Building Electrical Installation
 - Setting Reading Goals Building Electrical Installation
 - Carving Out Dedicated Reading Time
 12. Sourcing Reliable Information of Building Electrical Installation
 - Fact-Checking eBook Content of Building Electrical Installation
 - Distinguishing Credible Sources
 13. Promoting Lifelong Learning
 - Utilizing eBooks for Skill Development

- Exploring Educational eBooks
14. Embracing eBook Trends
- Integration of Multimedia Elements
 - Interactive and Gamified eBooks

Building Electrical Installation Introduction

Building Electrical Installation Offers over 60,000 free eBooks, including many classics that are in the public domain. Open Library: Provides access to over 1 million free eBooks, including classic literature and contemporary works. Building Electrical Installation Offers a vast collection of books, some of which are available for free as PDF downloads, particularly older books in the public domain. Building Electrical Installation : This website hosts a vast collection of scientific articles, books, and textbooks. While it operates in a legal gray area due to copyright issues, its a popular resource for finding various publications. Internet Archive for Building Electrical Installation : Has an extensive collection of digital content, including books, articles, videos, and more. It has a massive library of free downloadable books. Free-eBooks Building Electrical Installation Offers a diverse range of free eBooks across various genres. Building Electrical Installation Focuses mainly on educational books, textbooks, and business books. It offers free PDF downloads for educational purposes. Building Electrical Installation Provides a large selection of free eBooks in different genres, which are available for download in various formats, including PDF. Finding specific Building Electrical Installation, especially related to Building Electrical Installation, might be challenging as theyre often artistic creations rather than practical blueprints. However, you can explore the following steps to search for or create your own Online Searches: Look for websites, forums, or blogs dedicated to Building Electrical Installation, Sometimes enthusiasts share their designs or concepts in PDF format. Books and Magazines Some Building Electrical Installation books or magazines might include. Look for these in online stores or libraries. Remember that while Building Electrical Installation, sharing copyrighted material without permission is not legal. Always ensure youre either creating your own or obtaining them from legitimate sources that allow sharing and downloading. Library Check if your local library offers eBook lending services. Many libraries have digital catalogs where you can borrow Building Electrical Installation eBooks for free, including popular titles. Online Retailers: Websites like Amazon, Google Books, or Apple Books often sell eBooks. Sometimes, authors or publishers offer promotions or free periods for certain books. Authors Website Occasionally, authors provide excerpts or short stories for free on their websites. While this might not be the Building Electrical Installation full book , it can give you a taste of the authors writing style. Subscription Services Platforms like Kindle Unlimited or Scribd offer subscription-based access to a wide range of Building Electrical Installation eBooks, including some popular titles.

FAQs About Building Electrical Installation Books

How do I know which eBook platform is the best for me? Finding the best eBook platform depends on your reading preferences and device compatibility. Research different platforms, read user reviews, and explore their features before making a choice. Are free eBooks of good quality? Yes, many reputable platforms offer high-quality free eBooks, including classics and public domain works. However, make sure to verify the source to ensure the eBook credibility. Can I read eBooks without an eReader? Absolutely! Most eBook platforms offer webbased readers or mobile apps that allow you to read eBooks on your computer, tablet, or smartphone. How do I avoid digital eye strain while reading eBooks? To prevent digital eye strain, take regular breaks, adjust the font size and background color, and ensure proper lighting while reading eBooks. What the advantage of interactive eBooks? Interactive eBooks incorporate multimedia elements, quizzes, and activities, enhancing the reader engagement and providing a more immersive learning experience. Building Electrical Installation is one of the best book in our library for free trial. We provide copy of Building Electrical Installation in digital format, so the resources that you find are reliable. There are also many Ebooks of related with Building Electrical Installation. Where to download Building Electrical Installation online for free? Are you looking for Building Electrical Installation PDF? This is definitely going to save you time and cash in something you should think about. If you trying to find then search around for online. Without a doubt there are numerous these available and many of them have the freedom. However without doubt you receive whatever you purchase. An alternate way to get ideas is always to check another Building Electrical Installation. This method for see exactly what may be included and adopt these ideas to your book. This site will almost certainly help you save time and effort, money and stress. If you are looking for free books then you really should consider finding to assist you try this. Several of Building Electrical Installation are for sale to free while some are payable. If you arent sure if the books you would like to download works with for usage along with your computer, it is possible to download free trials. The free guides make it easy for someone to free access online library for download books to your device. You can get free download on free trial for lots of books categories. Our library is the biggest of these that have literally hundreds of thousands of different products categories represented. You will also see that there are specific sites catered to different product types or categories, brands or niches related with Building Electrical Installation. So depending on what exactly you are searching, you will be able to choose e books to suit your own need. Need to access completely for Campbell Biology Seventh Edition book? Access Ebook without any digging. And by having access to our ebook online or by storing it on your computer, you have convenient answers with Building Electrical Installation To get started finding Building Electrical Installation, you are right to find our website which has a comprehensive collection of books online. Our library is the biggest of these that have literally hundreds of thousands of different products represented. You will also see that there are specific sites catered to different categories or niches related with Building Electrical Installation So depending on what exactly you are searching,

you will be able to choose ebook to suit your own need. Thank you for reading Building Electrical Installation. Maybe you have knowledge that, people have search numerous times for their favorite readings like this Building Electrical Installation, but end up in harmful downloads. Rather than reading a good book with a cup of coffee in the afternoon, instead they juggled with some harmful bugs inside their laptop. Building Electrical Installation is available in our book collection an online access to it is set as public so you can download it instantly. Our digital library spans in multiple locations, allowing you to get the most less latency time to download any of our books like this one. Merely said, Building Electrical Installation is universally compatible with any devices to read.

Find Building Electrical Installation :

recette mystique 2015

rave land rover

~~rajasthan university of veterinary and animal sciences~~

punim diplome master mesuesi

~~range rover workshop manual~~

psychodynamic psychiatry in clinical practice

~~radio propagation and adaptive antennas for wireless communication networks wiley series in microwave and optical engineering~~

psychiatric nursing case studies nursing diagnoses and care plans

quick reference to critical care

psychoanalytic diagnosis understanding personality structure in the clinical process nancy mcwilliams

psychology answers online

reference values for hematological and serum biochemical

rc hibbeler 11th edition

~~punchline bridge to algebra marcy mathworks~~

~~rastafari roots and ideology utopianism and communitarianism by chevannes barry published by syracuse univ pr sd 1994~~

Building Electrical Installation :

6 sınıf matematik kitapları modelleri ve fiyatları satın al - Jul 02 2022

web siz de 6 sınıf matematik kitap önerilerini inceleyebilirsiniz 6 sınıf matematik kitabı Çeşitleri soru çeşitliliği bu kitaplarda

oldukça önemlidir 6 sınıf matematik çalışma kitabı tekrar ve gözden geçirme için idealdir Öğrencilerin günümüzdeki sınav *essential primary teacher s guides 1 to 6* - Apr 11 2023

web essential history primary 6 teacher s guide essential mathematics primary 1 teacher s guide essential mathematics primary 2 teacher s guide essential mathematics primary 3 teacher s guide essential mathematics primary 4 teacher s guide essential mathematics primary 5 teacher s guide essential mathematics primary 6

6 sınıf matematik uygulamaları kitabı matosfer - Nov 06 2022

web may 7 2020 6 sınıf matematik uygulamaları dersi kitabını buradan indirebilirsiniz 5 6 7 ve 8 sınıf meb okul ders kitaplarının pdf dosyaları burada

cambridge primary mathematics teachers resource book 6 - Mar 30 2022

web jun 21 2021 looking for cambridge primary mathematics teachers resource book 6 read cambridge primary mathematics teachers resource book 6 from Клет България here check all flipbooks from Клет България Клет България s cambridge primary mathematics teachers resource book 6 looks good share cambridge primary *cambridge primary mathematics teacher s guide stage 6 with* - Sep 04 2022

web your boost teacher s guide subscription includes teacher access to cambridge primary mathematics learner s book stage 6 boost ebook for planning and front of class teaching you can purchase ebooks for you students here

maths resources study maths cambridge university press - Jan 08 2023

web this teacher s resource for stage 6 will fully support teachers to get the best from their learners and effectively use the learner s book and games book detailed lesson plans based on the course objectives are offered along with additional activity ideas

cambridge primary mathematics cambridge university press - Feb 09 2023

web cambridge primary maths is an innovative teaching package combining online and print resources mapped to the internationally renowned cambridge primary curriculum cambridge primary maths supports teachers and learners through best practice international maths teaching and a problem solving approach all wrapped up in one

cambridge primary mathematics teacher s resource 6 issue - Aug 15 2023

web may 16 2014 the ethos of the cambridge primary maths project cambridge primary maths is an innovative combination of curriculum and resources designed to support teachers and learners to succeed

cambridge primary mathematics learner s book 6 issue - Aug 03 2022

web may 21 2014 cambridge primary mathematics learner s book 6 by cambridge university press education issue preview cambridge primary mathematics learner s book 6 emma low cambridge *essential mathematics primary 6 teacher s guide learners* - Apr 30 2022

web rationale for primary mathematics mathematics forms an integral part of our everyday lives it is a never ending creative process that serves to promote discovery and understanding we consider mathematics to be vital to the country s future development to provide quality mathematics education teachers must facilitate learning

[primary mathematics learner s book 6 sample issuu](#) - Jun 01 2022

web feb 22 2021 welcome to stage 6 of cambridge primary mathematics we hope this book will show you how interesting mathematics can be and make you want to explore and investigate mathematical ideas

cambridge primary mathematics stage 6 teacher s resource - Oct 05 2022

web may 22 2014 this teacher s resource for stage 6 will fully support teachers to get the best from their learners and effectively use the learner s book and games book detailed lesson plans based on the course objectives are offered along with additional activity ideas

cambridge primary mathematics teachers resource book 6 - Jun 13 2023

web jun 21 2021 check pages 1 50 of cambridge primary mathematics teachers resource book 6 in the flip pdf version cambridge primary mathematics teachers resource book 6 was published by Клет България on 2021 06 21

oxford international primary maths second edition practice book 6 - Feb 26 2022

web aug 4 2021 a complete six year primary maths course that takes a problem solving approach to teaching young learners the skills they need to become confident mathematicians features problem solving approach encourages students to actively explore new mathematical concepts

[cambridge primary mathematics module 6 teacher s resource book](#) - May 12 2023

web module 6 teacher s resource book free download borrow and streaming internet archive cambridge primary mathematics module 6 teacher s resource book publication date 1990 topics mathematics 1961 mathematics publisher cambridge cambridge university press collection inlibrary printdisabled internetarchivebooks contributor

primary mathematics teacher s resource 6 sample issuu - Jul 14 2023

web feb 23 2021 the cambridge primary mathematics curriculum framework from 2020 has been designed to encourage the development of mathematical fluency and ensure a deep understanding of key mathematical

6 sınıf matematik ders kitabı matematikciler com - Dec 27 2021

web 2022 2023 eğitim öğretim yılında meb tarafından 6 sınıf matematik kitabı olarak seçilen meb yayınları ve koza yayınları kitapları pdf olarak burada milli eğitim bakanlığı 6 sınıf matematik ders kitabı olarak meb yayınlarını ve koza yayıncılık kitabını seçti kitapları indirmek için kitapların resimlerine tıklayabilirsiniz

cambridge primary mathematics stage 6 teacher s resource google books - Mar 10 2023

web may 22 2014 cambridge primary mathematics stage 6 teacher s resource with cd rom volume 6 emma low cambridge

university press may 22 2014 education 332 pages this series is endorsed by

free primary resources cambridge university press - Jan 28 2022

web download pdf pack primary english posters from apostrophes to comparative adjectives bring your classroom to life with this free pack of 6 posters download pdf pack primary maths posters from fraction trios to mass and capacity download your 6 free primary maths posters and bring maths to life in your classroom download pdf pack

6 sınıf matematik ders kitabı 2021 2022 kerimhoca com - Dec 07 2022

web sınıf matematik ders kitabı 2021 2022 kerimhoca com 6 sınıf matematik ders kitabı 2021 2022 meb tarafından seçilen 6 sınıf matematik ders kitaplarını aşağıdaki bağlantılardan pdf olarak indirebilirsiniz meb yayinlari

a new day on earth year1 book1 the knowledge seek pdf - Apr 10 2023

web find helpful customer reviews and review ratings for a new day on earth year1 book1 the knowledge seeker workshops book 1 at amazon com read honest and

a new day on earth year1 book1 the knowledge seek 2013 - Jun 12 2023

web we give a new day on earth year1 book1 the knowledge seek pdf and numerous book collections from fictions to scientific research in any way in the midst of them is this a

agu 2023 annual meeting program now online agu newsroom - Nov 24 2021

web daily notes notas diarias more info the bible in a year study guide home today s reading lecturas de hoy calendars daily notes notas diarias more info more

ks1 books 25 great classroom books with free activity ideas - Jan 27 2022

web the knowledge song 2018 listen to a new day on spotify the knowledge song 2018

a new day on earth year1 book1 the knowledge seeker - Sep 22 2021

a new day on earth year1 book1 the knowledge seeker - Oct 04 2022

web apr 20 2023 a new day on earth year1 book1 the knowledge seek 2 8 downloaded from uniport edu ng on april 20 2023 by guest society 3 1 emergence of globalization of

[a new day on earth year1 book1 the knowledge seeker](#) - Nov 05 2022

web a new day on earth year1 book1 the knowledge seeker workshops book 1 english edition by m t keshe how did earth day begin answers marooned in realtime by vernor

[amazon com customer reviews a new day on](#) - Mar 09 2023

web a new day on earth year1 book1 the knowledge seek right here we have countless ebook a new day on earth year1 book1 the knowledge seek and collections to

[a new day on earth year1 book1 the knowledge seek pdf](#) - Jul 13 2023

web a new day on earth year1 book1 the knowledge seek one cross is enough last day on earth the domain of arrogance earth day the last stitch b p r d hell on earth

what s the israel palestine conflict about a simple guide - Feb 25 2022

web 25 ruby nettleship and the ice lolly adventure a mysterious ice lolly that when planted transforms a run down inner city playground into a sprawling adventure garden is an

who is hamas and why did they attack israel the washington - Mar 29 2022

web oct 9 2023 the israeli palestinian conflict has claimed tens of thousands of lives and displaced many millions of people and has its roots in a colonial act carried out more

a new day on earth year1 book1 the knowledge - Sep 15 2023

web a new day on earth year1 book1 the knowledge seeker workshops book 1 ebook m t keshe amazon com au kindle store

a new day on earth year1 book1 the knowledge seek copy - Apr 29 2022

web oct 9 2023 the article has been corrected israel declared war against hamas on sunday following a surprise attack by the palestinian militant group based in gaza that included

what is hamas and what s happening in israel and gaza a - May 31 2022

web may 12 2023 a new day on earth year1 book1 the knowledge seek 1 7 downloaded from uniport edu ng on may 12 2023 by guest a new day on earth year1 book1 the

the bible in a year study guide day 241 daniel and the den of - Oct 24 2021

web robin nelson customer reviews a new day on earth year1 a new way of living for a new year sermon by clarence a new day strikeforce book 1 ebook vanderlinden gee blacken

[a new day on earth year1 book1 the knowledge seeker](#) - Dec 06 2022

web a new day on earth year1 book1 the knowledge seeker workshops book 1 english edition by m t keshe book 1 from 1 new york times bestselling author sylvia day es the

a new day on earth year1 book1 the knowledge seeker - Aug 14 2023

web book1 the knowledge seek an enthralling opus penned by a very acclaimed wordsmith readers attempt an immersive expedition to unravel the intricate significance of language

a new day on earth year1 book1 the knowledge seek pdf pdf - May 11 2023

web a new day on earth year1 book1 the knowledge seek downloaded from neurocme med ucla edu by guest jairo key earth day iuniverse humanity is well on

a new day on earth year1 book1 the knowledge seeker - Aug 02 2022

web may 20 2023 a new day on earth year1 book1 the knowledge seek 2 7 downloaded from uniport edu ng on may 20 2023
by guest geography year 1 bob digby 2016 07 17

[a new day on earth year1 book1 the knowledge seek pdf](#) - Sep 03 2022

web jun 21 2023 find helpful customer reviews and review ratings for a new day on earth year1 book1 the knowledge
seeker workshops book 1 at read honest and unbiased

[a new day song and lyrics by the knowledge spotify](#) - Dec 26 2021

web oct 10 2023 the agu annual meeting 2023 scientific program is now available online browse full abstracts for more than
25 000 talks posters and panels to be presented at

a new day on earth year1 book1 the knowledge seek - Jul 01 2022

web oct 7 2023 after hamas s attack israel announced a siege of gaza cutting its supplies of electricity fuel food goods and
water it says the siege will not end until israeli

a new day on earth year1 book1 the knowledge seek pdf - Jan 07 2023

web a new day on earth year1 book1 the knowledge seeker workshops book 1 english edition by m t keshe june 1st 2020 we
celebrate earth day every year but in reality

a new day on earth year1 book1 the knowledge seek - Feb 08 2023

web juggled with some harmful virus inside their computer a new day on earth year1 book1 the knowledge seek is affable in
our digital library an online entrance to it is set as public

big adventure for little foodies children s cookbook - May 11 2023

web big adventure for little foodies children s cookbook recipes to grow your giggle galuska jonelle penn mason nicki
buerkett evans breanne penn girton jonathan

big cook little cook adventures in the big world compilation - Nov 24 2021

big adventure for little foodies children s cookbook recipes - Sep 03 2022

web may 29 2023 specifically get guide by on line this online publication big adventure for little foodies children s cookbo
can be one of the options to accompany you later than

big adventure for little foodies children s cookbook abebooks - Nov 05 2022

web big adventure for little foodies children s cookbo baby and toddler cookbook nov 18 2022 would you like to give your
baby the most nutritious most delicious meals

big cook little cook cbeebies wiki fandom - Jan 27 2022

web Üyeliliğinizi oluşturarak başlayabilecek olduğunuz oyunda kendi çiftliğinize istediğiniz zaman istediğiniz cihazdan girişler

yaparak oyununuzdaki gelişmeleri yapabilir ve onları kayıt

big adventure for little foodies children s cookbo pdf pdf - May 31 2022

web food network magazine the big fun kids cookbook food network magazine the big fun kids baking book philadelphia 8 kid chef junior every day big adventure for

big farm oyunu oyna online oyunlar oyun kolu - Dec 26 2021

web for the best kids show subscribe to the wizz channel youtube com c wizzamazing compilation of cooks adventures in the big

big adventure for little foodies children s cookbook abebooks - Mar 09 2023

web big adventure for little foodies 61 likes vivi ledish teaches kids how healthy choices grow your giggle story activities and children s cookbook

big adventure for little foodies children s cookbook recipes to - Jul 13 2023

web big adventure for little foodies children s cookbook recipes to grow your giggle volume galuska jonelle penn mason nicki buerkett amazon sg books

big adventure for little foodies children s cookbook recipes to - Aug 14 2023

web nov 23 2019 big adventure for little foodies children s cookbook recipes to grow your giggle volume galuska jonelle penn mason nicki buerkett evans breanne

big adventure for little foodies facebook - Feb 08 2023

web amazon in buy big adventure for little foodies children s cookbook recipes to grow your giggle book online at best prices in india on amazon in read big adventure for

big adventure for little foodies children s cookbo 2022 - Mar 29 2022

web fun food for children recipe collections on bigbasket cookbook browse fun food for children recipes and buy ingredients online

big adventure for little foodies children s cookbo pdf - Jul 01 2022

web with 100 kid tested activities and delicious recipes plus expert advice on parenting in the kitchen adventures in veggieland will get you and your kids working and playing

big adventure for little foodies children s cookbook recipes to - Jun 12 2023

web buy big adventure for little foodies children s cookbook recipes to grow your giggle volume by online on amazon ae at best prices fast and free shipping free returns

big adventure for little foodies children s cookbo download - Oct 04 2022

web little foodies big market adventures for little foodies adelaide big adventure for little foodies children s cookbook pilu

land the children s paradise on the kriegenseregg kids

big adventure for little foodies children s cookbook recipes - Dec 06 2022

web abebooks com big adventure for little foodies children s cookbook recipes to grow your giggle volume 9780991265718

by galuska jonelle penn mason nicki

fun food for children recipe collections bigbasket - Feb 25 2022

web get set go discover do lunch time and sue s make and do hour big cook little cook is a television series for nursery school aged children broadcast on bbc

big adventure for little foodies children s cookbook recipes to - Apr 10 2023

web big adventure for little foodies children s cookbook recipes to grow your giggle volume by galuska jonelle penn mason nicki buerkett at abebooks co uk isbn 10

bigadventureforlittlefoodieschildrenscookbo download only - Apr 29 2022

web merely said the big adventure for little foodies children s cookbo is universally compatible subsequent to any devices to read big adventure for little foodies

big adventure for little foodies children s cookbo pdf - Aug 02 2022

web apr 23 2023 far off from the costs its nearly what you dependence currently this big adventure for little foodies children s cookbo as one of the most functional sellers

big adventure for little foodies children s cookbook recipes to - Jan 07 2023

web super simple recipe adventures for kids kid chef vivi ledish serves up mom tested recipes that won t exceed kids attention spans or adults patience levels the perfect