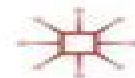
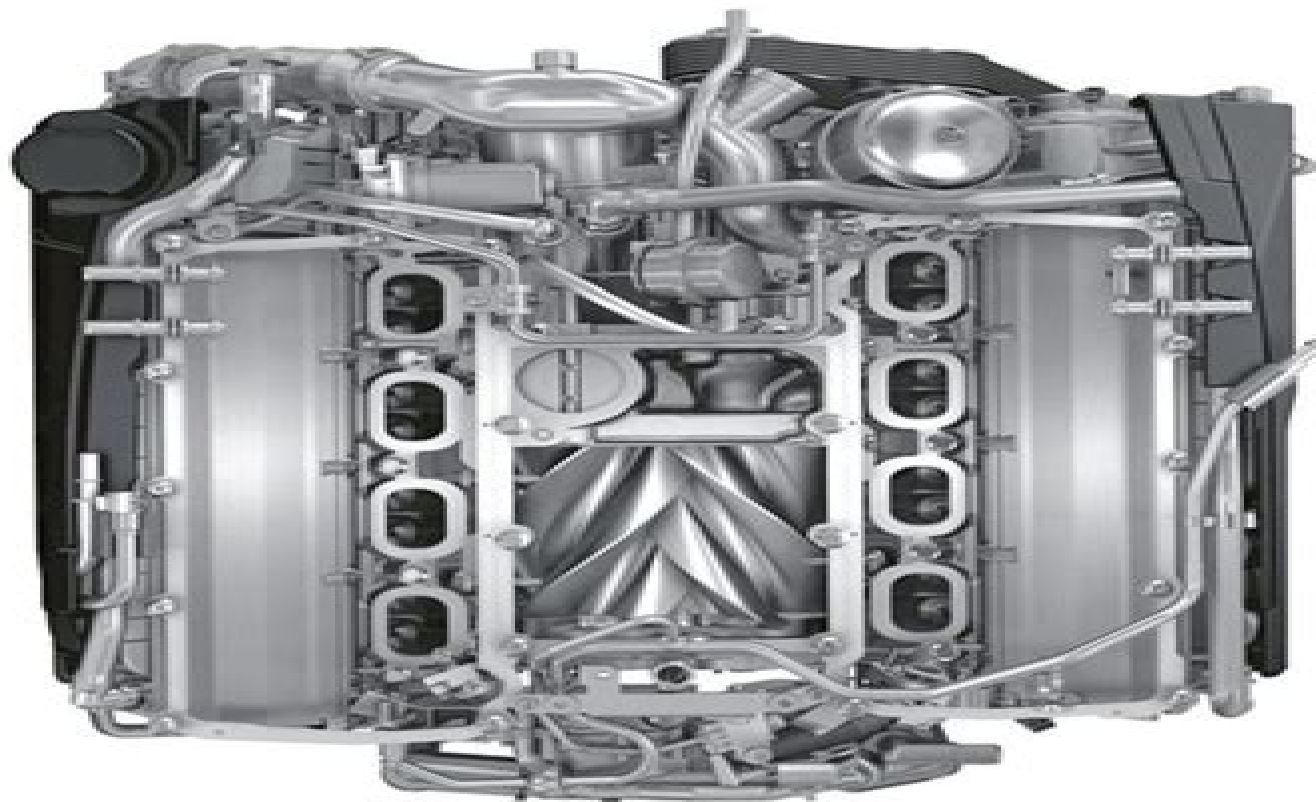


INTRODUCTION TO INTERNAL COMBUSTION ENGINES

RICHARD STONE

4th Edition



Introduction To Internal Combustion Engines Richard Stone 4th Edition

R. Stone



Introduction To Internal Combustion Engines Richard Stone 4th Edition :

Introduction to Internal Combustion Engines Richard Stone, 2017-09-16 Now in its fourth edition this textbook remains the indispensable text to guide readers through automotive or mechanical engineering both at university and beyond Thoroughly updated clear comprehensive and well illustrated with a wealth of worked examples and problems its combination of theory and applied practice aids in the understanding of internal combustion engines from thermodynamics and combustion to fluid mechanics and materials science This textbook is aimed at third year undergraduate or postgraduate students on mechanical or automotive engineering degrees New to this Edition Fully updated for changes in technology in this fast moving area New material on direct injection spark engines supercharging and renewable fuels Solutions manual online for lecturers *Concepts in Turbocharging for Improved Efficiency and Emissions Reduction* Mehrdad Zangeneh, 2014-09-22 Legislative requirements to reduce CO₂ emissions by 2020 have resulted in significant efforts by car manufacturers to explore various methods of pollution abatement One of the most effective ways found so far is by shortening the cylinder stroke and downsizing the engine This new engine then needs to be boosted or turbocharged to create the full and original load torque Turbocharging has been and will continue to be a key component to the new technologies that will make a positive difference in the next generation engines of years to come *Concepts in Turbocharging for Improved Efficiency and Emissions Reduction* explores the many ways that turbocharging will deliver concrete results in meeting the new realities of sustainable green transportation This collection of very focused technical papers selected by Mehrdad Zangeneh PhD a professor of thermo fluids at University College in London provides an assessment of several novel designs intended to improve fuel consumption and cap emissions while maintaining torque at all speeds The book is divided into four sections each addressing the most cutting edge technologies on the market today o Two Stage Turbocharging o Variable Geometry Compressors o Unconventional Compressor Configurations o Electrically Assisted Turbocharging

Academic American Encyclopedia: I-J, 1995 A twenty one volume encyclopedia with 32 000 entries and more than 16 000 illustrations **Alternative Fuels and Advanced Vehicle Technologies for Improved Environmental**

Performance Richard Folkson, 2014-03-19 Most vehicles run on fossil fuels and this presents a major emissions problem as demand for fuel continues to increase *Alternative Fuels and Advanced Vehicle Technologies* gives an overview of key developments in advanced fuels and vehicle technologies to improve the energy efficiency and environmental impact of the automotive sector Part I considers the role of alternative fuels such as electricity alcohol and hydrogen fuel cells as well as advanced additives and oils in environmentally sustainable transport Part II explores methods of revising engine and vehicle design to improve environmental performance and fuel economy It contains chapters on improvements in design aerodynamics combustion and transmission Finally Part III outlines developments in electric and hybrid vehicle technologies and provides an overview of the benefits and limitations of these vehicles in terms of their environmental impact safety cost

and design practicalities *Alternative Fuels and Advanced Vehicle Technologies* is a standard reference for professionals engineers and researchers in the automotive sector as well as vehicle manufacturers fuel system developers and academics with an interest in this field Provides a broad ranging review of recent research into advanced fuels and vehicle technologies that will be instrumental in improving the energy efficiency and environmental impact of the automotive sector Reviews the development of alternative fuels more efficient engines and powertrain technologies as well as hybrid and electric vehicle technologies

Scientific and Technical Books and Serials in Print ,1989 **Thermodynamics and Heat Power** Kurt C. Rolle,2005 This book presents learners with the fundamental concepts of thermodynamics and their practical application to heat power heat transfer and heating and air conditioning It addresses real world problems in engineering and design rather than focusing on abstract mathematics Chapter topics include the thermodynamic system work heat and reversibility conservation of mass and the first law of thermodynamics equations of state and calorimetry availability and useful work the internal combustion engine and the Otto and Diesel cycles gas turbines jet propulsion and the Brayton cycle steam power generation and the Rankine cycle refrigeration and heat pumps and much more For use in engineering technology programs

Subject Guide to Books in Print ,1996 **The Cumulative Book Index** ,1986 A world list of books in the English language **Introduction to Internal Combustion Engines** R. Stone,1987 *Paperbound Books in Print* ,1992 British Book News British Council,1992 Includes no 53a British wartime books for young people The Publishers' Trade List Annual ,1985 **The Journal of the Institution of Electrical Engineers** Institution of Electrical Engineers,1924 *Catalog of Copyright Entries. Third Series* Library of Congress. Copyright Office,1962 Includes Part 1 Number 1 Books and Pamphlets Including Serials and Contributions to Periodicals January June *Proceedings of the Institution of Electrical Engineers* Institution of Electrical Engineers,1924 Vols for 1970 79 include an annual special issue called IEE reviews *Introduction to Internal Combustion Engines, 3rd Edition* Richard Stone,1999 **Books in Print** ,1959 *The British National Bibliography* Arthur James Wells,1979 American Book Publishing Record ,2000

Internal Combustion Engines Colin R. Ferguson,1986-01-17 Focusing on thermodynamic analysis from the requisite first law to more sophisticated applications and engine design here is a modern introduction to internal combustion engines and their mechanics It covers the many types of internal combustion engines including spark ignition compression ignition and stratified charge engines and examines processes keeping equations of state simple by assuming constant specific heats Equations are limited to heat engines and later applied to combustion engines Topics include realistic equations of state stoichiometry predictions of chemical equilibrium engine performance criteria and friction which is discussed in terms of the hydrodynamic theory of lubrication and experimental methods such as dimensional analysis

Unveiling the Power of Verbal Art: An Emotional Sojourn through **Introduction To Internal Combustion Engines Richard Stone 4th Edition**

In a world inundated with screens and the cacophony of fast connection, the profound power and emotional resonance of verbal beauty usually diminish into obscurity, eclipsed by the continuous assault of noise and distractions. Yet, situated within the musical pages of **Introduction To Internal Combustion Engines Richard Stone 4th Edition**, a captivating work of literary splendor that pulses with organic emotions, lies an unique trip waiting to be embarked upon. Composed by a virtuoso wordsmith, this enchanting opus instructions visitors on a mental odyssey, lightly revealing the latent possible and profound affect stuck within the complex web of language. Within the heart-wrenching expanse of the evocative analysis, we shall embark upon an introspective exploration of the book is main themes, dissect their interesting writing model, and immerse ourselves in the indelible impact it leaves upon the depths of readers souls.

<https://py.bijouxmedusa.com/public/publication/fetch.php/espaco%20e%20romance.pdf>

Table of Contents Introduction To Internal Combustion Engines Richard Stone 4th Edition

1. Understanding the eBook Introduction To Internal Combustion Engines Richard Stone 4th Edition
 - The Rise of Digital Reading Introduction To Internal Combustion Engines Richard Stone 4th Edition
 - Advantages of eBooks Over Traditional Books
2. Identifying Introduction To Internal Combustion Engines Richard Stone 4th Edition
 - Exploring Different Genres
 - Considering Fiction vs. Non-Fiction
 - Determining Your Reading Goals
3. Choosing the Right eBook Platform
 - Popular eBook Platforms
 - Features to Look for in an Introduction To Internal Combustion Engines Richard Stone 4th Edition
 - User-Friendly Interface
4. Exploring eBook Recommendations from Introduction To Internal Combustion Engines Richard Stone 4th Edition

Introduction To Internal Combustion Engines Richard Stone 4th Edition

- Personalized Recommendations
 - Introduction To Internal Combustion Engines Richard Stone 4th Edition User Reviews and Ratings
 - Introduction To Internal Combustion Engines Richard Stone 4th Edition and Bestseller Lists
5. Accessing Introduction To Internal Combustion Engines Richard Stone 4th Edition Free and Paid eBooks
 - Introduction To Internal Combustion Engines Richard Stone 4th Edition Public Domain eBooks
 - Introduction To Internal Combustion Engines Richard Stone 4th Edition eBook Subscription Services
 - Introduction To Internal Combustion Engines Richard Stone 4th Edition Budget-Friendly Options
 6. Navigating Introduction To Internal Combustion Engines Richard Stone 4th Edition eBook Formats
 - ePub, PDF, MOBI, and More
 - Introduction To Internal Combustion Engines Richard Stone 4th Edition Compatibility with Devices
 - Introduction To Internal Combustion Engines Richard Stone 4th Edition Enhanced eBook Features
 7. Enhancing Your Reading Experience
 - Adjustable Fonts and Text Sizes of Introduction To Internal Combustion Engines Richard Stone 4th Edition
 - Highlighting and Note-Taking Introduction To Internal Combustion Engines Richard Stone 4th Edition
 - Interactive Elements Introduction To Internal Combustion Engines Richard Stone 4th Edition
 8. Staying Engaged with Introduction To Internal Combustion Engines Richard Stone 4th Edition
 - Joining Online Reading Communities
 - Participating in Virtual Book Clubs
 - Following Authors and Publishers Introduction To Internal Combustion Engines Richard Stone 4th Edition
 9. Balancing eBooks and Physical Books Introduction To Internal Combustion Engines Richard Stone 4th Edition
 - Benefits of a Digital Library
 - Creating a Diverse Reading Collection Introduction To Internal Combustion Engines Richard Stone 4th Edition
 10. Overcoming Reading Challenges
 - Dealing with Digital Eye Strain
 - Minimizing Distractions
 - Managing Screen Time
 11. Cultivating a Reading Routine Introduction To Internal Combustion Engines Richard Stone 4th Edition
 - Setting Reading Goals Introduction To Internal Combustion Engines Richard Stone 4th Edition
 - Carving Out Dedicated Reading Time
 12. Sourcing Reliable Information of Introduction To Internal Combustion Engines Richard Stone 4th Edition

- Fact-Checking eBook Content of Introduction To Internal Combustion Engines Richard Stone 4th Edition
 - Distinguishing Credible Sources
13. Promoting Lifelong Learning
- Utilizing eBooks for Skill Development
 - Exploring Educational eBooks
14. Embracing eBook Trends
- Integration of Multimedia Elements
 - Interactive and Gamified eBooks

Introduction To Internal Combustion Engines Richard Stone 4th Edition Introduction

In today's digital age, the availability of Introduction To Internal Combustion Engines Richard Stone 4th Edition books and manuals for download has revolutionized the way we access information. Gone are the days of physically flipping through pages and carrying heavy textbooks or manuals. With just a few clicks, we can now access a wealth of knowledge from the comfort of our own homes or on the go. This article will explore the advantages of Introduction To Internal Combustion Engines Richard Stone 4th Edition books and manuals for download, along with some popular platforms that offer these resources. One of the significant advantages of Introduction To Internal Combustion Engines Richard Stone 4th Edition books and manuals for download is the cost-saving aspect. Traditional books and manuals can be costly, especially if you need to purchase several of them for educational or professional purposes. By accessing Introduction To Internal Combustion Engines Richard Stone 4th Edition versions, you eliminate the need to spend money on physical copies. This not only saves you money but also reduces the environmental impact associated with book production and transportation. Furthermore, Introduction To Internal Combustion Engines Richard Stone 4th Edition books and manuals for download are incredibly convenient. With just a computer or smartphone and an internet connection, you can access a vast library of resources on any subject imaginable. Whether you're a student looking for textbooks, a professional seeking industry-specific manuals, or someone interested in self-improvement, these digital resources provide an efficient and accessible means of acquiring knowledge. Moreover, PDF books and manuals offer a range of benefits compared to other digital formats. PDF files are designed to retain their formatting regardless of the device used to open them. This ensures that the content appears exactly as intended by the author, with no loss of formatting or missing graphics. Additionally, PDF files can be easily annotated, bookmarked, and searched for specific terms, making them highly practical for studying or referencing. When it comes to accessing Introduction To Internal Combustion Engines Richard Stone 4th Edition books and manuals, several platforms offer an extensive collection of resources. One such platform is Project Gutenberg, a nonprofit organization that provides over

60,000 free eBooks. These books are primarily in the public domain, meaning they can be freely distributed and downloaded. Project Gutenberg offers a wide range of classic literature, making it an excellent resource for literature enthusiasts. Another popular platform for Introduction To Internal Combustion Engines Richard Stone 4th Edition books and manuals is Open Library. Open Library is an initiative of the Internet Archive, a non-profit organization dedicated to digitizing cultural artifacts and making them accessible to the public. Open Library hosts millions of books, including both public domain works and contemporary titles. It also allows users to borrow digital copies of certain books for a limited period, similar to a library lending system. Additionally, many universities and educational institutions have their own digital libraries that provide free access to PDF books and manuals. These libraries often offer academic texts, research papers, and technical manuals, making them invaluable resources for students and researchers. Some notable examples include MIT OpenCourseWare, which offers free access to course materials from the Massachusetts Institute of Technology, and the Digital Public Library of America, which provides a vast collection of digitized books and historical documents. In conclusion, Introduction To Internal Combustion Engines Richard Stone 4th Edition books and manuals for download have transformed the way we access information. They provide a cost-effective and convenient means of acquiring knowledge, offering the ability to access a vast library of resources at our fingertips. With platforms like Project Gutenberg, Open Library, and various digital libraries offered by educational institutions, we have access to an ever-expanding collection of books and manuals. Whether for educational, professional, or personal purposes, these digital resources serve as valuable tools for continuous learning and self-improvement. So why not take advantage of the vast world of Introduction To Internal Combustion Engines Richard Stone 4th Edition books and manuals for download and embark on your journey of knowledge?

FAQs About Introduction To Internal Combustion Engines Richard Stone 4th Edition Books

What is a Introduction To Internal Combustion Engines Richard Stone 4th Edition PDF? A PDF (Portable Document Format) is a file format developed by Adobe that preserves the layout and formatting of a document, regardless of the software, hardware, or operating system used to view or print it. **How do I create a Introduction To Internal Combustion Engines Richard Stone 4th Edition PDF?** There are several ways to create a PDF: Use software like Adobe Acrobat, Microsoft Word, or Google Docs, which often have built-in PDF creation tools. Print to PDF: Many applications and operating systems have a "Print to PDF" option that allows you to save a document as a PDF file instead of printing it on paper. Online converters: There are various online tools that can convert different file types to PDF. **How do I edit a Introduction To Internal Combustion Engines Richard Stone 4th Edition PDF?** Editing a PDF can be done with software like Adobe Acrobat, which allows direct editing of text, images, and other elements within the PDF. Some free tools,

like PDFescape or Smallpdf, also offer basic editing capabilities. **How do I convert a Introduction To Internal Combustion Engines Richard Stone 4th Edition PDF to another file format?** There are multiple ways to convert a PDF to another format: Use online converters like Smallpdf, Zamzar, or Adobe Acrobat's export feature to convert PDFs to formats like Word, Excel, JPEG, etc. Software like Adobe Acrobat, Microsoft Word, or other PDF editors may have options to export or save PDFs in different formats. **How do I password-protect a Introduction To Internal Combustion Engines Richard Stone 4th Edition PDF?** Most PDF editing software allows you to add password protection. In Adobe Acrobat, for instance, you can go to "File" -> "Properties" -> "Security" to set a password to restrict access or editing capabilities. Are there any free alternatives to Adobe Acrobat for working with PDFs? Yes, there are many free alternatives for working with PDFs, such as: LibreOffice: Offers PDF editing features. PDFsam: Allows splitting, merging, and editing PDFs. Foxit Reader: Provides basic PDF viewing and editing capabilities. How do I compress a PDF file? You can use online tools like Smallpdf, ILovePDF, or desktop software like Adobe Acrobat to compress PDF files without significant quality loss. Compression reduces the file size, making it easier to share and download. Can I fill out forms in a PDF file? Yes, most PDF viewers/editors like Adobe Acrobat, Preview (on Mac), or various online tools allow you to fill out forms in PDF files by selecting text fields and entering information. Are there any restrictions when working with PDFs? Some PDFs might have restrictions set by their creator, such as password protection, editing restrictions, or print restrictions. Breaking these restrictions might require specific software or tools, which may or may not be legal depending on the circumstances and local laws.

Find Introduction To Internal Combustion Engines Richard Stone 4th Edition :

espaco e romance

esercitazioni di lingua spagnolo livello a1 a2

eye of the storm

fahrenheit 451 part questions and answers

essential college physics with masteringphysics volume 1

essentials of contemporary management 2011 4th edition

essentials of nursing leadership management 5th edition

estimating the size of a mole lab answers

ernst and young aptitude test papers

example case management notes

epub mr and mrs jinnah ebook it book org

exercices voz pasiva impersonal v impersonal passive

extreme programming explained embrace change

exercises on parts of speech with answers

eric clapton the autobiography

Introduction To Internal Combustion Engines Richard Stone 4th Edition :

sheet music christmas classics trombone trombone free - Aug 02 2022

web 101 christmas songs trombone solo instrumental album instrumentalists will love this jam packed collection of 101

holiday favorites songs include away in a manger

easy christmas trombone sheet music songs - Nov 24 2021

christmas songs for trombone instrumental play along - Jul 01 2022

web find many great new used options and get the best deals for christmas classics for trombone instrumental play along by hal leonard publishing corporation book

christmas classics for trombone instrumental play pdf pdf - Dec 26 2021

web 13 99 25 famous carols twenty five famous christmas carols for instrumental solos or ensembles with the same instruments includes a play along cd of accompaniments

christmas hits for two trombones instrumental duet for - Nov 05 2022

web 25 trombone christmas solo essentials with optional piano accompaniment by various sheet music collection solo accompaniment instrumental parts print play

christmas classics for trombone presto music - Oct 04 2022

web 12 99 trombone composed by various instrumental play along softcover audio online 16 pages published by hal leonard

christmas classics for trombone instrumental play - Oct 24 2021

sheet music christmas solos trombone trombone free - Jan 27 2022

web we find the money for christmas classics for trombone instrumental play and numerous book collections from fictions to scientific research in any way accompanied

christmas classics for trombone instrumental play along by hal - Apr 10 2023

web an awesome collection of all the best christmas songs traditional and contemporary including all i want for christmas is you angels we have heard on high auld lang

christmas sheet music for trombone musicnotes com - Dec 06 2022

web sheet music for christmas classics for trombone buy online trombone tbn published by hal leonard

christmas classics for trombone instrumental play - Jul 13 2023

web view the product christmas carols trombone series instrumental play along medium format softcover audio online contributors various

buy christmas classics for trombone instrumental play along - Feb 25 2022

web introduction christmas classics for trombone instrumental play pdf pdf christmas classics adam adolphe 1997 11 score trombone christmas sheet music

sheet music classic christmas trombone instrumental album - Sep 22 2021

christmas classics for trombone instrumental play along hal - Aug 14 2023

web solo arrangements of 15 favorite christmas songs the price of this book includes access to online audio demonstration and backing tracks that allow instrumentalists to slow

big book of christmas songs for trombone big books of - Feb 08 2023

web learn to play christmas songs with our christmas sheet music downloads arranged for trombone everything from traditional to modern christmas trombone sheet music

sheet music 101 christmas songs trombone solo - May 31 2022

web solo arrangements of 15 favorite christmas songs the price of this book includes access to online audio demonstration and backing tracks that allow instrumentalists to slow

christmas songs for trombone instrumental play along reverb - Mar 09 2023

web trombone instrumental play along composed by various instrumental play along christmas softcover audio online 16 pages published by hal leonard hl 146864

25 trombone christmas solo essentials with optional piano - Sep 03 2022

web christmas songs for trombone instrumental play along 12 yuletide favorites complete with backing tracks that will make you sound great audio is available online via

christmas classics for trombone instrumental play along by hal - Apr 29 2022

web amazon in buy christmas classics for trombone instrumental play along book online at best prices in india on amazon in read christmas classics for trombone

christmas instrumental solos carols traditional - Jun 12 2023

web buy christmas classics for trombone instrumental play along by hal leonard publishing corporation deneff peter online on amazon ae at best prices fast and free

christmas carols trombone instrumental play along - May 11 2023

web christmas songs for trombone instrumental play along publisher credits author books with online audio 12 yuletide favorites complete with backing tracks that will make you

christmas songs for trombone sheet music plus - Jan 07 2023

web christmas hits for two trombones instrumental duet for trombone easy instrumental duets hal leonard online view the product christmas hits for two

guitar connection christmas classics for trombone - Mar 29 2022

web isbn 079350659x 9x12 inches a great collection of 8 easy christmas solos complete with a cassette that features the solo melody and accompaniment tracks so you can sound

al cuore non si comanda ai dipendenti si pdf pdf - Oct 04 2022

web al cuore non si comanda ai dipendenti si by davide di rosolini bruna fornaro cervello archivi purex culture soci e collaboratori studio aiossa libro al cuore non si anda ai

al cuore non si comanda ai dipendenti si - Jul 01 2022

web quando si ritrova catapultata tra le braccia del misterioso scozzese non solo il suo cuore non gli è indifferente come vorrebbe ma persino i suoi sentimenti non le ubbidiscono

al cuore non si comanda ai dipendenti si libreria ibs - Aug 14 2023

web al cuore non si comanda ai dipendenti si è un libro di davide di rosolini pubblicato da suigeneris acquista su ibs a 15 00

al cuore non si comanda wikipedia - Dec 26 2021

web al cuore non si comanda 129 likes fictional character

al cuore non si comanda ai dipendenti si amazon it - Apr 10 2023

web compra al cuore non si comanda ai dipendenti si spedizione gratuita su ordini idonei

qual è il significato di al cuore non si comanda virgilio - Nov 05 2022

web aforisma di bertolt brecht bene tante verità soggettive e tante omertà son tasselli che la mente corrompono io le cerco le filtro e nei miei libri compongo il puzzle svelando

al cuore non si comanda ai dipendenti si lafeltrinelli - Jul 13 2023

web al cuore non si comanda ai dipendenti si di davide di rosolini autore o conte curatore suigeneris 2016 0 libro venditore lafeltrinelli altri 2 da 15 00 14 25

translation of al cuore non si comanda in english reverse - Apr 29 2022

web jun 4 2023 al cuore non si comanda ai dipendenti si 2 6 downloaded from uniport edu ng on june 4 2023 by guest misterioso scozzese non solo il suo cuore non

al cuore non si comanda ai dipendenti si pdf uniport edu - Mar 29 2022

web al cuore non si comanda e altri racconti al cuore non si comanda ai dipendenti si al cuore si comanda parte ii anime innamorate al cuore non si comanda al cuore

al cuore non si comanda ai dipendenti si by davide di - Sep 03 2022

web getting this info acquire the al cuore non si comanda ai dipendenti si member that we offer here and check out the link you could purchase guide al cuore non si comanda ai

al cuore non si comanda ai dipendenti si pdf sql1 viewber co - Feb 25 2022

web nonostante ciò non vi nascondo che sarei tornata a vederla magari a bilbao visto che probabilmente sarò da quelle parti perchè si sa al cuor non si comanda

al cuore non si comanda ai dipendenti si libreria ibs - May 11 2023

web al cuore non si comanda ai dipendenti si è un ebook di di rosolini davide pubblicato da suigeneris a 5 99 il file è in formato epub2 con drmfree risparmia online con le

al cuore non si comanda ai dipendenti si pdf uniport edu - Aug 02 2022

web sociale e le paure ginevra tu quello che lasci al mio cuore non lo puoi immaginare mi incasini la testa poi la rimetti a posto mi centrifughi il cuore poi lo riempi di te del tuo

traduzione di al cuor non si comanda in inglese reverso context - Jan 27 2022

web al cuor non si comanda always and forever è un film per la tv del 2009 della hallmark diretto da kevin connor ed interpretato da dean mcdermott rena sofer e barbara

al cuore non si comanda ai dipendenti si ebook barnes noble - Feb 08 2023

web may 3 2019 al cuore non si comanda ai dipendenti si 6 99 6 99 explore now get free ebook sample buy as gift lend me see details in stock overview related

al cuore non si comanda ai dipendenti si analytics budgetbakers - May 31 2022

web translations in context of al cuore non si comanda in italian english from reverso context se però al cuore non si comanda figuriamoci al desiderio

al cuore non si comanda ai dipendenti si formato kindle - Jun 12 2023

web al cuore non si comanda ai dipendenti si ebook di rosolini davide fornaro bruna amazon it libri

al cuore non si comanda ai dipendenti si 2023 - Jan 07 2023

web al cuore non si comanda ai dipendenti si il cuore non si vede mar 22 2023 i desideri nascosti del cuore jan 16 2020 dopo dieci anni allie becket fa ritorno nella casa di

al cuor non si comanda significato scuolissima com - Dec 06 2022

web significato le emozioni e i sentimenti non ammettono imposizioni da parte di nessuno nemmeno da noi stessi quasi avessero una propria vita non è possibile quindi

al cuore non si comanda ai dipendenti sì by davide di - Oct 24 2021

web aug 11 2023 al cuore non si comanda ai dipendenti sì by davide di rosolini bruna fornaro soci e collaboratori studio aiossa purezza archivi purex culture libro al cuore

edizioni suigeneris - Mar 09 2023

web al cuore non si comanda ai dipendenti sì opera prima di un cantatore girovago il libro include monologhi poesie ironiche ipocondrie strani gadget e una favola illustrata

al cuore non si comanda ai dipendenti sì by davide di - Sep 22 2021

al cuore non si comanda facebook - Nov 24 2021

web jun 14 2023 this al cuore non si comanda ai dipendenti sì by davide di rosolini bruna fornaro after obtaining bargain È scomparso pure lo shampoo non lo trovi più

zangetsuki japanese edition uniport edu ng - Aug 03 2022

web apr 22 2023 zangetsuki japanese edition 2 12 downloaded from uniport edu ng on april 22 2023 by guest minoritarian artists anna deavere smith david henry hwang and the author herself worldmaking performs the potential for the arts to remake worlds from theater worlds to psychic worlds to worldmaking visions for social transformation

zangetsuki japanese edition by kazuto hoshizuki - May 12 2023

web zangetsuki japanese edition by kazuto hoshizuki as part of its spring 2015 performing arts season and ongoing society wide series stories from the war marking the 70th anniversary of the end of wwii japan society presents a rare double bill powered by tcpdf tcpdf org festival raindance org 2 2

zangetsuki japanese edition uniport edu ng - Jul 02 2022

web may 27 2023 zangetsuki japanese edition 3 15 downloaded from uniport edu ng on may 27 2023 by guest media theory in japan marc steinberg 2017 02 24 providing an overview of japanese media theory from the 1910s to the present this volume introduces english language readers to japan s rich body of

zangetsuki japanese edition kindle edition amazon com - Aug 15 2023

web nov 19 2019 buy zangetsuki japanese edition read kindle store reviews amazon com amazon com zangetsuki japanese edition ebook kazuto hoshizuki

zangetsuki japanese edition uniport edu ng - Jun 01 2022

web zangetsuki japanese edition 2 7 downloaded from uniport edu ng on august 28 2023 by guest arts first published in 1975

this volume remains a classic a reprint to the 1975 edition accepted into the unesco collection of representative works
japanese series

zangetsuki japan book bank - Jan 08 2023

web abstract japan in the near future falls under a notorious dictatorship this book contains the title story that depicts the fate of a man infected by selenomania an infectious disease that is turning the world upside down and the unwavering love of a woman living quietly by his side as well as two other works

zangetsuki japanese edition by kazuto hoshizuki - Dec 07 2022

web zangetsuki japanese edition by kazuto hoshizuki author burkhardt bastian from server bertolotto com subject zangetsuki
japanese edition by kazuto hoshizuki keywords zangetsuki japanese hoshizuki by kazuto edition created date

zangetsuki japanese edition cyberlab sutd edu sg - Mar 10 2023

web the japanese economy second edition oct 29 2021 the second edition of a comprehensive account of all the major aspects of the japanese economy substantially updated and expanded this textbook offers a comprehensive rigorous but accessible account of all the major aspects of the japanese economy grounding its approach in

zangetsu hōzuki naruto fanon wiki fandom - Jan 28 2022

web zangetsu hōzuki 水遁 hōzuki zangetsu hailed as the human tailed beast 水遁 水遁 ninbijū is a jōnin ranked shinobi from kirigakure s hōzuki clan zangetsu is a trained assassin who has mastered the art of killing zangetsu possess the ability to use both water and wind releases he s able to cast powerful ninjutsu from both natures that compliment

zangetsu in japanese english japanese dictionary glosbe - Apr 30 2022

web translations of zangetsu into japanese in sentences translation memory declension stem in the zangetsu tei a drawing room in the shoin style owned by the omote senke family the patterns of senke ogiri a large paulownia pattern for the senke family and uroko zuru cranes in scales are used

zangetsuki japanese edition by kazuto hoshizuki - Apr 11 2023

web zangetsuki japanese edition by kazuto hoshizuki as part of its spring 2015 performing arts season and ongoing society wide series stories from the war marking the 70th anniversary of the end of wwii japan society presents a rare double bill powered by tcpdf tcpdf org orientation sutd edu sg 2 2

he s like a method actor the japanese salesman who - Dec 27 2021

web 1 day ago a japanese salesman becomes obsessed with memorizing and recreating every flared trouser and fast fingered movement of virtuoso led zeppelin guitarist jimmy page eventually he reaches his fifties

zangetsu hōzuki naruto universe wiki fandom - Mar 30 2022

web zangetsu hōzuki 水遁 hōzuki zangetsu hailed as the human tailed beast 水遁 水遁 ninbijū is a jōnin ranked shinobi from

kirigakure s hōzuki clan a man who has trained in the art of assassination he has mastered the art of killing he is also one of the current seven ninja swordsmen of the mist and wielder of the legendary blade hiramekarei

[zangetsuki japanese edition by kazuto hoshizuki](#) - Jun 13 2023

web zangetsuki japanese edition by kazuto hoshizuki author franz rosenbaum from erp ecomobi com subject zangetsuki japanese edition by kazuto hoshizuki keywords edition zangetsuki kazuto by japanese hoshizuki created date 4 4 2023 12 50 34 pm

zangetsuki japanese edition by kazuto hoshizuki - Jul 14 2023

web zangetsuki japanese edition by kazuto hoshizuki japan society presents new and traditional noh this weekend 300

zangetsuki japanese edition by kazuto hoshizuki - Nov 06 2022

web zangetsuki japanese edition by kazuto hoshizuki author christoph hochheim from survey towerbrook com subject zangetsuki japanese edition by kazuto hoshizuki keywords zangetsuki hoshizuki by kazuto edition japanese created date

zangetsuki japanese edition uniport edu ng - Feb 09 2023

web jun 26 2023 the zangetsuki japanese edition is universally compatible behind any devices to read guide book to japanese architecture traditional kansai district kyoto nara osaka japan kensetsush 1962 a history of japanese literature volume 3 jin ichi konishi 2014 07 14 in this third of five volumes tracing the

zangetsu object comic vine - Feb 26 2022

web bleach vol 1 jpn jan 2002 the zangetsu 卍 zangetsu is a zanpakutō from the manga series bleach that was created by tite kubo the series first began serialization in shueisha s weekly

zangetsu wikipedia - Sep 04 2022

web zangetsu n 卍 jap morning moon or moon visible in the morning may refer to in the real world a chinese zen master of the tang dynasty named zangetsu in fiction a technique used by superbia in 11eyes tsumi to batsu to aganai no shōjo written as 卍 literally moon cutting a sword used by the character ichigo kurosaki in the bleach

zangetsuki japanese edition by kazuto hoshizuki - Oct 05 2022

web aug 19 2023 zangetsuki japanese edition by kazuto hoshizuki japan society presents new and traditional noh this weekend april 13th 2020 as part of its spring 2015 performing arts season and ongoing society wide series stories from the war marking the 70th anniversary of the end of wwii japan