

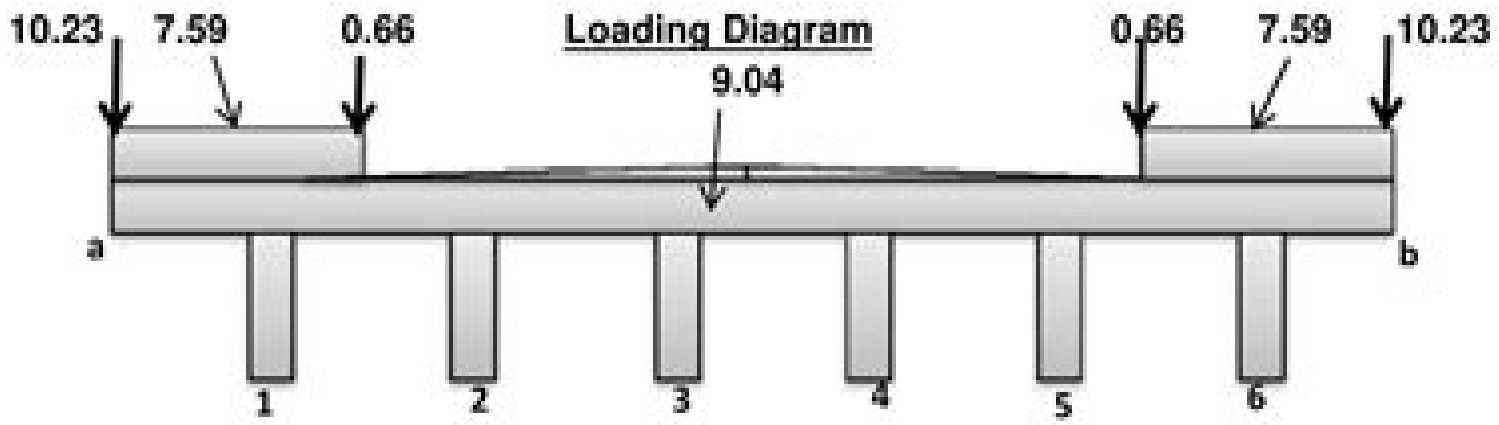
DEAD LOADING

Assumption: The analysis of dead load is carried out on the assumption that the slabs and kerb of uniform cross-section

BS 5400-4
Cl. 4.2.2
Cl. 4.2.3

ITEM	Unit wt (KN/m ²)	Nominal Load	ULS			SLS		
			FL	F3	Load	FL	F3	Load
Slab	24	5.40	1.15	1.1	6.83	1.0	1.0	5.40
Surfacing	23	1.15	1.75	1.1	2.21	1.2	1.0	1.38
Kerb	24	6.00	1.15	1.1	7.59	1.0	1.0	6.00
Guardrails	0.5 kN/m	0.50	1.2	1.1	0.66	1.0	1.0	0.50
Crash Barrier		8.09	1.15	1.1	10.23	1.0	1.0	8.09

BS 5400-2
Table 1
Cl. 4.4, 5.5



LIVE LOADING

RDM Pt. 4

Standard highway loading consists of HA and HB loading
HA is normal loading
HB is abnormal loading

Bridge Design Calculations

Charles Derleth (Jr.)



Bridge Design Calculations:

LRFD Bridge Design Tim Huff, 2022-02-23 This book examines and explains material from the 9th edition of the AASHTO LRFD Bridge Design Specifications including deck and parapet design load calculations limit states and load combinations concrete and steel I girder design bearing design and more With increased focus on earthquake resiliency two separate chapters one on conventional seismic design and the other on seismic isolation applied to bridges will fully address this vital topic The primary focus is on steel and concrete I girder bridges with regard to both superstructure and substructure design Features Includes several worked examples for a project bridge as well as actual bridges designed by the author Examines seismic design concepts and design details for bridges Presents the latest material based on the 9th edition of the LRFD Bridge Design Specifications Covers fatigue strength service and extreme event limit states Includes numerous solved problems and exercises at the end of each chapter to illustrate the concepts presented LRFD Bridge Design Fundamentals and Applications will serve as a useful text for graduate and upper level undergraduate civil engineering students as well as practicing structural engineers

Bridge Calculation and Design David Young Hill, 1962

Innovative Bridge Designs for Rapid Renewal: ABC Toolkit TRANSPORTATION RESEARCH BOARD, **The Design of Highway Bridges and the Calculation of Stresses in Bridges Trusses** Milo Smith Ketchum, 1908 *Fourth International Conference on Current and Future Trends in Bridge Design, Construction and Maintenance* B. Barr, 2006 This is a state of the art reference an exchange of innovative experience creative thinking and industry forecasts This volume presents the proceedings of the fourth international conference in this series based in the Asia Pacific region in Kuala Lumpur in October 2005 and is applicable to all sectors of the bridge engineering community BACKGROUND KNOWLEDGE AND FUTURE PERFORMANCE The Institution of Civil Engineers has collaborated with internationally renowned bridge engineers to organise three successful conferences to celebrate the enormous achievements made in the field of bridge engineering in recent years As a discipline bridge engineering not only requires knowledge and experience of bridge design and construction techniques but must also deal with increasing challenges posed by the need to maintain the long term performance of structures throughout an extended service life In many parts of the world natural phenomena such as seismic events can cause significant damage to force major repairs or reconstruction Therefore it is appropriate that the first plenary session of this conference is entitled Engineering for Seismic Performance READERSHIP This compilation of papers will benefit practising civil and structural engineers in consulting firms and government agencies bridge contractors research institutes universities and colleges In short it is of importance to all engineers involved in any aspect of the design construction and repair maintenance and refurbishment of bridges

American Bridge Division United States Steel Corporation, G. W. Serat, 1959 **Collapse of I-35W Highway Bridge, Minneapolis, Minnesota, August 1, 2007** United States National Transportation Safety Board, 2008 In the early afternoon construction equipment and construction

aggregates sand and gravel for making concrete were delivered and positioned in the two closed inside southbound lanes. The equipment and aggregates which were being staged for a concrete pour of the southbound lanes that was to begin about 7 00 p m were positioned toward the south end of the center section of the deck truss portion of the bridge and were in place by about 2 30 p m. About 6 05 p m a motion activated surveillance video camera at the Lower St Anthony Falls Lock and Dam just west of the I 35W bridge recorded a portion of the collapse sequence. The video showed the bridge center span separating from the rest of the bridge and falling into the river.

Manual of Bridge Design Practice, 1963 **Bridge Design & Engineering**, 2001

Safety and Reliability of Bridge Structures Khaled Mahmoud, 2009-09-21 Recent surveys of the U S infrastructure s condition have rated a staggering number of bridges structurally deficient or functionally obsolete. While not necessarily unsafe a structurally deficient bridge must be posted for weight and have limits for speed due to its deteriorated structural components. Bridges with old design features that cannot

The Design of Highway Bridges of Steel, Timber and Concrete Milo Smith Ketchum, 1920 *LRFD Bridge Design* Tim Huff, 2022-02-23 This book examines and explains material from the 9th edition of the AASHTO LRFD Bridge Design Specifications including deck and parapet design, load calculations, limit states and load combinations, concrete and steel I girder design, bearing design and more. With increased focus on earthquake resiliency, two separate chapters, one on conventional seismic design and the other on seismic isolation applied to bridges, will fully address this vital topic. The primary focus is on steel and concrete I girder bridges with regard to both superstructure and substructure design. Features include several worked examples for a project bridge as well as actual bridges designed by the author. Examines seismic design concepts and design details for bridges. Presents the latest material based on the 9th edition of the LRFD Bridge Design Specifications. Covers fatigue, strength, service and extreme event limit states. Includes numerous solved problems and exercises at the end of each chapter to illustrate the concepts presented. LRFD Bridge Design Fundamentals and Applications will serve as a useful text for graduate and upper level undergraduate civil engineering students as well as practicing structural engineers.

Bridge and Structural Design William Chase Thomson, 1910 **Bridge Engineering** Demetrios E. Tonnias, Jim J. Zhao, 2007 Aimed at US audience, architects, 113 000 civil engineers, 228 000 and universities and colleges offering structural engineering programs. This work reflects the bridge design code changes and the newest ASCE American Association of Civil Engineers design methods. It uses SI units throughout for international usage.

Final Report on Bridge Design in Connection with the Third Locks Project Howard F. Topping, 1943 **AASHTO LRFD Bridge Design Specifications** American Association of State Highway and Transportation Officials, 1994 The provisions of these Specifications are intended for the design, evaluation and rehabilitation of both fixed and movable highway bridges. Mechanical, electrical and special vehicular and pedestrian safety aspects of movable bridges, however, are not covered. Provisions are not included for bridges used solely for railway, rail transit or public utilities. For bridges not fully covered herein, the provisions of these Specifications may be applied as

augmented with additional design criteria where required These specifications are not intended to supplant proper training or the exercise of judgment by the Designer and state only the minimum requirements necessary to provide for public safety The Owner or the Designer may require the sophistication of design or the quality of materials and construction to be higher than the minimum requirements The concept of safety through redundancy and ductility and protection against scour and collision are emphasized The design provisions of these Specifications employ the Load and Resistance Factor Design LRFD methodology The factors have been developed from the theory of reliability based upon current statistical knowledge of loads and structural performance Methods of analysis other than those included in previous Specifications and the modelling techniques inherent in them are included and their use is encouraged The commentary is not intended to provide a complete historical background concerning the development of these or previous Specifications nor is it intended to provide a detailed summary of the studies and research data reviewed in formulating the provisions of the Specification However references to some of the research data are provided for those who wish to study the background material in depth The commentary directs attention to other documents that provide suggestions for carrying out the requirements and intent of these Specifications However those documents and this commentary are not intended to be a part of these Specifications Page1 1

A Text-book on Roofs and Bridges: Bridge design. 4th ed., rewritten, 1902 Mansfield Merriman, Henry Sylvester Jacoby, 1898 Report [and Plans] Also Report on Design of Quebec Bridge Canada. Royal Commission on Quebec Bridge Inquiry, 1908 Design of a Railway Bridge Pier Charles Derleth (Jr.), 1907 **A Text-book on Roofs and Bridges ...: Bridge design. 1st ed. 1894** Mansfield Merriman, Henry Sylvester Jacoby, 1894

This is likewise one of the factors by obtaining the soft documents of this **Bridge Design Calculations** by online. You might not require more get older to spend to go to the book initiation as well as search for them. In some cases, you likewise get not discover the publication Bridge Design Calculations that you are looking for. It will definitely squander the time.

However below, taking into account you visit this web page, it will be consequently extremely simple to get as without difficulty as download guide Bridge Design Calculations

It will not acknowledge many become old as we notify before. You can complete it even though do something something else at home and even in your workplace. thus easy! So, are you question? Just exercise just what we have enough money below as capably as evaluation **Bridge Design Calculations** what you bearing in mind to read!

https://py.bijouxmedusa.com/files/browse/HomePages/macro_economics_tr_jain.pdf

Table of Contents Bridge Design Calculations

1. Understanding the eBook Bridge Design Calculations
 - The Rise of Digital Reading Bridge Design Calculations
 - Advantages of eBooks Over Traditional Books
2. Identifying Bridge Design Calculations
 - Exploring Different Genres
 - Considering Fiction vs. Non-Fiction
 - Determining Your Reading Goals
3. Choosing the Right eBook Platform
 - Popular eBook Platforms
 - Features to Look for in an Bridge Design Calculations
 - User-Friendly Interface
4. Exploring eBook Recommendations from Bridge Design Calculations
 - Personalized Recommendations

- Bridge Design Calculations User Reviews and Ratings
- Bridge Design Calculations and Bestseller Lists
- 5. Accessing Bridge Design Calculations Free and Paid eBooks
 - Bridge Design Calculations Public Domain eBooks
 - Bridge Design Calculations eBook Subscription Services
 - Bridge Design Calculations Budget-Friendly Options
- 6. Navigating Bridge Design Calculations eBook Formats
 - ePub, PDF, MOBI, and More
 - Bridge Design Calculations Compatibility with Devices
 - Bridge Design Calculations Enhanced eBook Features
- 7. Enhancing Your Reading Experience
 - Adjustable Fonts and Text Sizes of Bridge Design Calculations
 - Highlighting and Note-Taking Bridge Design Calculations
 - Interactive Elements Bridge Design Calculations
- 8. Staying Engaged with Bridge Design Calculations
 - Joining Online Reading Communities
 - Participating in Virtual Book Clubs
 - Following Authors and Publishers Bridge Design Calculations
- 9. Balancing eBooks and Physical Books Bridge Design Calculations
 - Benefits of a Digital Library
 - Creating a Diverse Reading Collection Bridge Design Calculations
- 10. Overcoming Reading Challenges
 - Dealing with Digital Eye Strain
 - Minimizing Distractions
 - Managing Screen Time
- 11. Cultivating a Reading Routine Bridge Design Calculations
 - Setting Reading Goals Bridge Design Calculations
 - Carving Out Dedicated Reading Time
- 12. Sourcing Reliable Information of Bridge Design Calculations
 - Fact-Checking eBook Content of Bridge Design Calculations

- Distinguishing Credible Sources
- 13. Promoting Lifelong Learning
 - Utilizing eBooks for Skill Development
 - Exploring Educational eBooks
- 14. Embracing eBook Trends
 - Integration of Multimedia Elements
 - Interactive and Gamified eBooks

Bridge Design Calculations Introduction

Bridge Design Calculations Offers over 60,000 free eBooks, including many classics that are in the public domain. Open Library: Provides access to over 1 million free eBooks, including classic literature and contemporary works. Bridge Design Calculations Offers a vast collection of books, some of which are available for free as PDF downloads, particularly older books in the public domain. Bridge Design Calculations : This website hosts a vast collection of scientific articles, books, and textbooks. While it operates in a legal gray area due to copyright issues, its a popular resource for finding various publications. Internet Archive for Bridge Design Calculations : Has an extensive collection of digital content, including books, articles, videos, and more. It has a massive library of free downloadable books. Free-eBooks Bridge Design Calculations Offers a diverse range of free eBooks across various genres. Bridge Design Calculations Focuses mainly on educational books, textbooks, and business books. It offers free PDF downloads for educational purposes. Bridge Design Calculations Provides a large selection of free eBooks in different genres, which are available for download in various formats, including PDF. Finding specific Bridge Design Calculations, especially related to Bridge Design Calculations, might be challenging as theyre often artistic creations rather than practical blueprints. However, you can explore the following steps to search for or create your own Online Searches: Look for websites, forums, or blogs dedicated to Bridge Design Calculations, Sometimes enthusiasts share their designs or concepts in PDF format. Books and Magazines Some Bridge Design Calculations books or magazines might include. Look for these in online stores or libraries. Remember that while Bridge Design Calculations, sharing copyrighted material without permission is not legal. Always ensure youre either creating your own or obtaining them from legitimate sources that allow sharing and downloading. Library Check if your local library offers eBook lending services. Many libraries have digital catalogs where you can borrow Bridge Design Calculations eBooks for free, including popular titles. Online Retailers: Websites like Amazon, Google Books, or Apple Books often sell eBooks. Sometimes, authors or publishers offer promotions or free periods for certain books. Authors Website Occasionally, authors provide excerpts or short stories for free on their websites. While this might not be the Bridge Design Calculations full book , it can give you a taste of

the authors writing style. Subscription Services Platforms like Kindle Unlimited or Scribd offer subscription-based access to a wide range of Bridge Design Calculations eBooks, including some popular titles.

FAQs About Bridge Design Calculations Books

What is a Bridge Design Calculations PDF? A PDF (Portable Document Format) is a file format developed by Adobe that preserves the layout and formatting of a document, regardless of the software, hardware, or operating system used to view or print it. **How do I create a Bridge Design Calculations PDF?** There are several ways to create a PDF: Use software like Adobe Acrobat, Microsoft Word, or Google Docs, which often have built-in PDF creation tools. Print to PDF: Many applications and operating systems have a "Print to PDF" option that allows you to save a document as a PDF file instead of printing it on paper. Online converters: There are various online tools that can convert different file types to PDF. **How do I edit a Bridge Design Calculations PDF?** Editing a PDF can be done with software like Adobe Acrobat, which allows direct editing of text, images, and other elements within the PDF. Some free tools, like PDFescape or Smallpdf, also offer basic editing capabilities. **How do I convert a Bridge Design Calculations PDF to another file format?** There are multiple ways to convert a PDF to another format: Use online converters like Smallpdf, Zamzar, or Adobe Acrobats export feature to convert PDFs to formats like Word, Excel, JPEG, etc. Software like Adobe Acrobat, Microsoft Word, or other PDF editors may have options to export or save PDFs in different formats. **How do I password-protect a Bridge Design Calculations PDF?** Most PDF editing software allows you to add password protection. In Adobe Acrobat, for instance, you can go to "File" -> "Properties" -> "Security" to set a password to restrict access or editing capabilities. Are there any free alternatives to Adobe Acrobat for working with PDFs? Yes, there are many free alternatives for working with PDFs, such as: LibreOffice: Offers PDF editing features. PDFsam: Allows splitting, merging, and editing PDFs. Foxit Reader: Provides basic PDF viewing and editing capabilities. How do I compress a PDF file? You can use online tools like Smallpdf, ILovePDF, or desktop software like Adobe Acrobat to compress PDF files without significant quality loss. Compression reduces the file size, making it easier to share and download. Can I fill out forms in a PDF file? Yes, most PDF viewers/editors like Adobe Acrobat, Preview (on Mac), or various online tools allow you to fill out forms in PDF files by selecting text fields and entering information. Are there any restrictions when working with PDFs? Some PDFs might have restrictions set by their creator, such as password protection, editing restrictions, or print restrictions. Breaking these restrictions might require specific software or tools, which may or may not be legal depending on the circumstances and local laws.

Find Bridge Design Calculations :

macro economics tr jain

magnetic materials and their applications

managing human resources 15th edition download

manicure and pedicure training manual dphost

managerial accounting garrison 12th edition solution

livre-comptabilite-generale-maroc

manga mania chibi and furry characters how to draw the adorable mini people and cool cat girls of j

ljubavni romani

machine-to-machine-m2m-communications-architecture-performance-and-applications-woodhead-publishing-series-in

electronic-and-optical-materials

management richard daft 10th edition download

major minor and trace element analysis of baobab fruit

macroeconomics barro solutions

livro geologia de engenharia abge book me

mandarin-chinese-vocabulary-and-chinese-characters

major problems in the history of american workers documents and essays major problems in american history series 2nd edition

Bridge Design Calculations :

up scholarship form 2014 2015 uptu scholarship application - Jul 03 2022

web oct 13 2014 make three sets of each of the document along with the printout of the application form submit this to your respective college the up scholarship application form is processed from the college only list of documents to be enclosed

with up scholarship application form 2014 2015

formup quality uniform - May 01 2022

web kurum imajınızı profosyonellere teslim edin marka değerinizi yükseltin

up application form 2015 pdf ebook and manual free download - Mar 11 2023

web up application form 2015 list of ebooks and manuels about up application form 2015

get the free up application form 2015 up application form 2015 - Jun 14 2023

web up application form 2015 description up application form 2015 6952d56cae24a57b2c7f25340cfc03daup application form 2015thank you for reading up application form 2015

uptet notification online apply syllabus 2015 - Dec 28 2021

web jan 8 2014 uptet 2014 online apply online application form is available in the official website upbasiceduboard gov in candidates who want to apply for uptet have to submit the online application form from the official website 1 candidates need to download the pdf file which contains instructions for how to fill the application form

up polytechnic online application form entrance exam 2015 - Oct 06 2022

web feb 8 2015 up polytechnic online application form entrance exam 2015 february 8 2015 technical 0 comments joint entrance examination council of uttar pradesh lucknow jee cup has recently declared online application form for entrance examination in

up application form for 2015 survey thecube gr - Jan 09 2023

web up application form for 2015 up application form for 2015 u p scholarship amp fee reimbursement online system 2015 angel tree christmas application prison fellowship 2015 program year agriinvest agriculture and agri food download

application forms embassy up ration card online application form 2018 apply at

up btc application form 2015 online apply for registration - Mar 31 2022

web jul 31 2015 how to apply the aspirants may submit online via the official web portal upbasiceduparishad gov in application form for the season of 2015 will be available on the official website to register online interested candidates can fill the form properly and after that before the submission take a printout for future use

up application form 2015 iriss ac uk - Nov 07 2022

web up application form 2015 3 3 threshold for the white collar exemption updates on the path act protecting americans from tax hikes pub l no 114 113 the dol published the fiduciary rule in final form in april 2016 with full compliance scheduled for january 1 2018 the rule makes it clear that brokers who are paid to offer guidance on re

up application forms 2022 2023 pdf sassa universities and - Jan 29 2022

web aug 12 2020 category uncategorized tags 2022 2023 university of pretoria up online application call for applications 2022 2023 download up application forms online application instructions uj online application 2022 2023 university of pretoria undergraduate programme information for 2022 2023 university application dates for

up application form for 2015 darelova - Sep 05 2022

web jun 4 2023 card all the people of uttar pradesh must have a notice of this news that up ration card application form 2018 for all categories such above poverty line apl and below poverty line bpl is now available in on the internet up nsfas application form 2015 up nsfas application forms for 2015 kvaserde read and

upapplicationforms2015 pdf - Feb 27 2022

web 1 upapplicationforms2015 recognizing the exaggeration ways to get this books upapplicationforms2015 is additionally useful you have remained in right site to start getting

online instructions of filling application in english up - Apr 12 2023

web 1 log on uppsc up nic in to access the home page of the candidate segment 2 before filling up the form candidates are advised to carefully go through the relevant notification published in the employment news and also available in the all notifications advertisements in candidate segment page 3

get the up application form 2015pdf free download - May 13 2023

web free download e books up application form 2015 and related files up application form 2015 pdf to access e book directly click here free download continued proposed second choice faculty of natural fill form try risk free

forms ankara yıldırım beyazıt Üniversitesi - Jul 15 2023

web general petition application form for taking course from other universities during summer school discharge certificate form to take 40 2 courses for the students who are about to graduate dilmer application form for international students application

up application forms 2015 help environment harvard edu - Feb 10 2023

web it is your agreed own become old to take action reviewing habit along with guides you could enjoy now is up application forms 2015 below j k lasser s your income tax 2016 j k lasser institute 2015 10 14 prepare your 2015 taxes with ease j k lasser s your income tax 2016 for preparing your 2015 tax return is a bestselling tax reference that

forms faculty of medicine İstinye Üniversitesi - Aug 16 2023

web presentation evaluation form petition of objection to the exam results petition of objection to the exam questions internship evaluation form course committee evaluation form petition form course exemption request form leave of absence form make up exam application form

up application form for 2015 - Dec 08 2022

web up application form 2015 kis kiosk com may 7th 2018 tue 01 may 2018 21 40 00 gmt up application form 2015 pdf up iti application form 2018 procedure schedule to be over in june 2018 eligible ones can jnu academic session 2015 16 discourse reconstructingjudaism org 2 6

kadîr has university make up exam application form - Aug 04 2022

web i want to take the make up exam for the course s listed below i declare that i know and accept that my application will be deemed invalid and disciplinary and other legal actions will be taken against me if the information i have given here and the submitted documents are incomplete or inaccurate reason for requesting a make up exam

up application 2024 university of pretoria portal - Jun 02 2022

web up application 2024 form is out see university of pretoria application form 2024 2025 academic session up application form is also available in pdf for an easy download

boundaries and relationships knowing protecting and enjoying - Aug 05 2022

web a renowned psychotherapist explores healthy and unhealthy relationships and personal boundaries with self assessment tests descriptions of ten types of human interaction and more original 50 000 first printing national ad promo

boundaries and relationships knowing protecting and enjoying - Mar 12 2023

web apr 1 1994 boundaries and relationships knowing protecting and enjoying the self whitfield md dr charles 9781558742598 books amazon ca

boundaries and relationships knowing protecting and enjoying - Apr 13 2023

web more than personal boundaries this book is really about relationships healthy and unhealthy ones here bestselling author and psychotherapist charles whitfield blends theories and dynamics from several disciplines into practical knowledge and actions that your can use in your relationships right now

boundaries and relationships knowing protecting and enjoying - Jan 30 2022

web jan 1 2010 boundaries and relationships knowing protecting and enjoying the self kindle edition by whitfield charles download it once and read it on your kindle device pc phones or tablets use features like bookmarks note taking and highlighting while reading boundaries and relationships knowing protecting and enjoying the self

setting boundaries strong bonds building family connections - Jun 03 2022

web setting boundaries it is part of good parenting to set and enforce reasonable boundaries boundaries help young people to develop self control to be part of our society and to feel cared for and safe they also help parents look after themselves and other family members

a collective partnership ministry of manpower - Apr 01 2022

web so they know what to do during crises tap on free resources from the sgsecure website at sgsecure sg encourage your employees to download the sgsecure mobile app to receive important alerts during major emergencies explore the app to learn useful crisis management tips have you done these register an sgsecure rep for your organisation

boundaries and relationships knowing protecting and e - Sep 18 2023

web jan 1 1993 boundaries and relationships knowing protecting and enjoying the self by charles l whitfield m d 288 pages 7 hours and 11 minutes read by jonathan yen plus 85 pages on pdf genre nonfiction psychology self improvement self help relationships mental health

amazon com boundaries and relationships knowing protecting and - Jul 04 2022

web boundaries and relationships knowing protecting and enjoying the self audible audiobook unabridged charles l whitfield author jonathan yen narrator 1 more 4 4 358 ratings see all formats and editions kindle 12 99 read with our free app audiobook 0 00 free with your audible trial

[boundaries and relationships knowing protecting and enjoying](#) - Nov 08 2022

web jul 1 1993 buy boundaries and relationships knowing protecting and enjoying the self illustrated by whitfield md dr charles isbn 9781558742598 from amazon s book store everyday low prices and free delivery on eligible orders

[boundaries and relationships knowing protecting and enjoying](#) - Feb 11 2023

web jan 30 2018 boundaries and relationships knowing protecting and enjoying the self whitfield md charles l yen jonathan on amazon com free shipping on qualifying offers boundaries and relationships knowing protecting and enjoying the self *boundaries and relationships knowing protecting and enjoying* - Jun 15 2023

web 1 introduction and overview 2 checking my boundaries 3 a history of boundaries 4 boundaries and human development 5 boundaries and age regression 6 giving and receiving boundaries and projective identification 7 what is mine what is not mine sorting and owning part one 8

boundaries and relationships knowing protecting and enjoying - Aug 17 2023

web boundaries and relationships knowing protecting and enjoying the self charles l whitfield amazon sg books

boundaries and relationships knowing protecting and enjoying - Dec 09 2022

web boundaries and relationships knowing protecting and enjoying the self ebook written by charles whitfield read this book using google play books app on your pc android ios devices download

boundaries and relationships knowing protecting and enjoying - Jan 10 2023

web apr 1 1994 tldr this paper integrates insights from the family business literature with the work family and identity boundary literatures to describe degrees of integration between the family and business identities in family firms and outline contingencies that influence this integration expand

border control precautionary measures life - Feb 28 2022

web our digital response support community efforts as one shop online have essentials delivered the unity resilience solidarity budgets border control precautionary measures health information resources hotlines for support domestic abuse latest numbers keeping preschoolers students safe

boundaries and relationships knowing protecting and enjoying - Oct 19 2023

web boundaries and relationships knowing protecting and enjoying the self whitfield md dr charles amazon sg books

[boundaries and relationships knowing protecting and enjoying](#) - Jul 16 2023

web boundaries and relationships knowing protecting and enjoying the self boundaries and relationships charles l whitfield

health communications inc 1993 family relationships

boundaries and relationships knowing protecting and enjoying - Sep 06 2022

web a renowned psychotherapist explores healthy and unhealthy relationships and personal boundaries with self assessment tests descriptions of ten types of human interaction and more original 50 000 first printing

boundaries and relationships knowing protecting and enjoying - Oct 07 2022

web boundaries and relationships knowing protecting and enjoying the self audiobook written by charles l whitfield md narrated by jonathan yen get instant access to all your favorite books no monthly commitment listen online or offline with android ios web chromecast and google assistant try google play audiobooks today

boundaries and safe people how they go together mike and - May 02 2022

web boundaries and safe people safe people are confront able setting healthy boundaries is key to safety in marriage because they help us learn about ourselves and the person we want to spend the rest of our lives with they also help us change destructive patterns

boundaries and relationships knowing protecting and enjoying - May 14 2023

web mar 1 2021 boundaries and relationships knowing protecting and enjoying the self charles l whitfield charles l whitfield 9781665235754 amazon com books books

adult bible study guide resources - Jun 01 2022

web resources sabbath school toolbox formerly lead magazine sabbath school toolbox is a quarterly magazine that brings more power and polish to your sabbath school programs and sabbath school teaching for specific products books contact don lay with pacific press 1 800 447 7377 x2512 or email him at email protected adventist book center

2013 q4 the sanctuary sabbath school net - Jun 13 2023

web oct 17 2013 the adult sabbath school bible study guide is prepared by the office of the adult bible study guide of the general conference of seventh day adventists

bible study material seventh day adventist christian church in - Aug 03 2022

web find a range of bible study and sabbath school resource materials guides lessons videos and more here

methods of bible study adventist org - Aug 15 2023

web oct 12 1986 bible study presuppositions principles and methods preamble this statement is addressed to all members of the seventh day adventist church with the purpose of providing guidelines on how to study

adult bible study guides adventist digital library - Jul 14 2023

web study and teaching description the adult sabbath school bible study guide is prepared by the office of the adult bible study guide of the general conference of seventh day adventists

seventh day adventist bible study guide pdf - Jul 02 2022

web may 19 2022 read more about seventh day adventist bible study guide pdf seventh day adventist bible study for beginners and seventh day adventist bible study topics each lesson has a brief summary of the topic covered followed by questions that can be answered in preparation for class discussion

bible study resources croydon seventh day adventist church - Oct 05 2022

web bible study guides discover bible school simple and easy to follow bible study guides that answer some of life s challenging questions and bring bible prophecy to life with beautiful illustrations there s also a kids zone and study guides on the life of jesus christ based upon the four gospels matthew mark luke and john visit site

circle adventist bible studies adventist learning community - Mar 10 2023

web the it is written bible study guides are the perfect way to learn god s plan for your life these free guides are here to guide you step by step into a deeper understanding of the bible the 25 guides cover the major themes of the bible using simple questions

sda bible study guide apps on google play - Apr 30 2022

web may 7 2022 read sda bible study guide sabbath school lesson study guide in many languages here you can find pdf format of lessons along with powerpoint slides in pdf lesson outline lesson

bible study north american division of seventh day adventists - Nov 06 2022

web bibles and bible study guides for people who are legally blind christian record services for the blind offers bibles and bible study guides in braille audio and large print the large print and braille bible study guides include quizzes to

quarterly lesson sabbath school - Feb 26 2022

web sep 13 2023 sabbath school lesson weekly and quarterly lessons for in depth bible study of word of god resources are lesson reading video audio pdf ppt mission story and video

20th edition revised 2022 adventist org - Dec 27 2021

web to foster bible study prayer nurture and spiritual why a church manual why does the seventh day adventist church have a church manual god is a god of order as evidenced in his works of creation and redemption consequently order belongs to the essence of his church order is achieved

the seventh day resource centre - Sep 04 2022

web introduction study 1 the scriptures study 2 prophecy of the next world empire study 3 the second coming of christ study 4 signs of christ s coming study 5 god s plan to save you from sin study 6 justification by faith study 7 bible sanctification study 8 the home of the saved study 9 the millennium study 10 god s rest study

2021 q 1 isaiah sabbath school net - Jan 28 2022

web you may download the full lesson quarterly for studying isaiah from amazon in kindle format main lesson authors is roy gane a hebrew scholar currently a teacher of old testament at the seventh day adventist theological seminary on the campus of andrews university in berrien springs michigan

[adult sabbath school study guides more sabbath school net](#) - Feb 09 2023

web aug 12 2011 adult sabbath school bible study guides online archive of adult bible study guides in html format current adult bible study guides in pdf format teachers edition standard edition and easy reading edition scroll to bottom of page sabbath school for mobile devices such as iphone ipad ipod android phones and tablets

the book of revelation adult sabbath school bible study guide - Dec 07 2022

web biblical prophecies are like a lamp shining in a dark place 2 pet 1 19 they are intended to provide guidance for our life today and hope for our future we will need this prophetic guide until the coming of christ and the establishment of god s everlasting kingdom study this week s lesson to prepare for sabbath january 5 lesson

[adult bible study guide this quarter seventh day adventist](#) - Jan 08 2023

web this quarter years after the exciting start of the christian mission in ephesus the ephesians struggled with the significance of their christian faith paul writing to them from prison worries that the believers in ephesus may lose heart forgetting what it means to be jesus disciples in their sophisticated pagan culture

seventh day adventists believe bible study guide the 28 - Mar 30 2022

web apr 18 2022 i hope you enjoy this seventh day adventist bible study guide and fully comprehend the plan god has for you and this world i hope you see the bigger picture and god s immeasurable love for us through the study of the bible please note that this is a study book that guides you in studying the bible a fuller more detailed edition that

[study the bible online free guides and lessons adventist org](#) - May 12 2023

web use these simple and practical bible study guides to find the answers to some of life s challenging questions looking for a free online bible study to lead you through god s word find one in the list below

adventist archives adult sabbath school lessons - Apr 11 2023

web the subjects of the adult sabbath school lessons and later the adult bible study guides from 1888 onward are listed and often linked to here this list also includes information where available about the authors or principal contributors of the lessons