

Industrial Circuits Application Note

Stepper Motor Basics

A stepper motor is an electromechanical device which converts electrical pulses into discrete mechanical movements. The shaft or spindle of a stepper motor rotates in discrete step increments when electrical command pulses are applied to it in the proper sequence. The motor's rotation has several direct relationships to these applied input pulses. The sequence of the applied pulses is directly related to the direction of motor shafts rotation. The speed of the motor shafts rotation is directly related to the frequency of the input pulses and the length of rotation is directly related to the number of input pulses applied.

Stepper Motor Advantages and Disadvantages

Advantages

1. The rotation angle of the motor is proportional to the input pulse.
2. The motor has full torque at standstill (if the windings are energized)
3. Precise positioning and repeatability of movement since good stepper motors have an accuracy of 3 – 5% of a step and this error is non-cumulative from one step to the next.
4. Excellent response to starting/ stopping/reversing.
5. Very reliable since there are no contact brushes in the motor. Therefore the life of the motor is simply dependant on the life of the bearing.
6. The motor's response to digital input pulses provides open-loop control, making the motor simpler and less costly to control.
7. It is possible to achieve very low speed synchronous rotation with a load that is directly coupled to the shaft.
8. A wide range of rotational speeds can be realized as the speed is proportional to the frequency of the input pulses.

Disadvantages

1. Resonances can occur if not properly controlled.
2. Not easy to operate at extremely high speeds.

Open Loop Operation

One of the most significant advantages of a stepper motor is its ability to be accurately controlled in an open loop system. Open loop control means no feedback information about position is needed. This type of control eliminates the need for expensive sensing and feedback devices such as optical encoders. Your position is known simply by keeping track of the input step pulses.

Stepper Motor Types

There are three basic stepper motor types. They are :

- Variable-reluctance
- Permanent-magnet
- Hybrid

Variable-reluctance (VR)

This type of stepper motor has been around for a long time. It is probably the easiest to understand from a structural point of view. Figure 1 shows a cross section of a typical V.R. stepper motor. This type of motor consists of a soft iron multi-toothed rotor and a wound stator. When the stator windings are energized with DC current the poles become magnetized. Rotation occurs when the rotor teeth are attracted to the energized stator poles.

Permanent Magnet (PM)

Often referred to as a "tin-can" or "canstock" motor the permanent magnet step motor is a low cost and low resolution type motor with typical step angles of 7.5° to 15°. (48 – 24 steps/revolution) PM motors as the

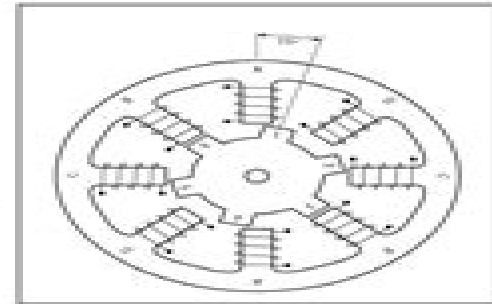


Figure 1. Cross-section of a variable-reluctance (VR) motor.

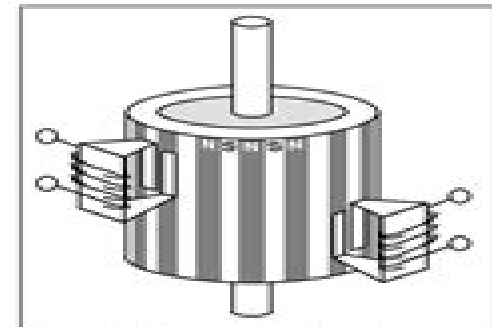


Figure 2. Principle of a PM or tin-can stepper motor.

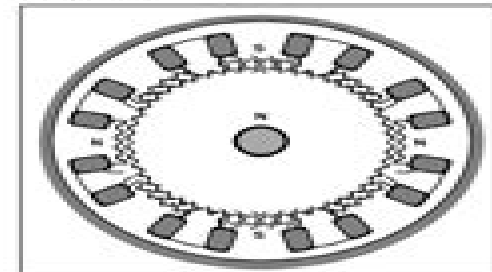


Figure 3. Cross-section of a hybrid stepper motor.

Industrial Circuits Application Note Drive Circuit Basics

Hongru Du



Industrial Circuits Application Note Drive Circuit Basics:

This is likewise one of the factors by obtaining the soft documents of this **Industrial Circuits Application Note Drive Circuit Basics** by online. You might not require more times to spend to go to the ebook creation as competently as search for them. In some cases, you likewise do not discover the broadcast Industrial Circuits Application Note Drive Circuit Basics that you are looking for. It will very squander the time.

However below, gone you visit this web page, it will be so enormously simple to acquire as well as download guide Industrial Circuits Application Note Drive Circuit Basics

It will not agree to many era as we tell before. You can accomplish it while proceed something else at house and even in your workplace. so easy! So, are you question? Just exercise just what we have the funds for below as capably as review **Industrial Circuits Application Note Drive Circuit Basics** what you taking into account to read!

https://py.bijouxmedusa.com/files/Resources/Download_PDFS/personality%20theory%20research%20and%20assessment.pdf

Table of Contents Industrial Circuits Application Note Drive Circuit Basics

1. Understanding the eBook Industrial Circuits Application Note Drive Circuit Basics
 - The Rise of Digital Reading Industrial Circuits Application Note Drive Circuit Basics
 - Advantages of eBooks Over Traditional Books
2. Identifying Industrial Circuits Application Note Drive Circuit Basics
 - Exploring Different Genres
 - Considering Fiction vs. Non-Fiction
 - Determining Your Reading Goals
3. Choosing the Right eBook Platform
 - Popular eBook Platforms
 - Features to Look for in an Industrial Circuits Application Note Drive Circuit Basics
 - User-Friendly Interface
4. Exploring eBook Recommendations from Industrial Circuits Application Note Drive Circuit Basics

- Personalized Recommendations
 - Industrial Circuits Application Note Drive Circuit Basics User Reviews and Ratings
 - Industrial Circuits Application Note Drive Circuit Basics and Bestseller Lists
5. Accessing Industrial Circuits Application Note Drive Circuit Basics Free and Paid eBooks
 - Industrial Circuits Application Note Drive Circuit Basics Public Domain eBooks
 - Industrial Circuits Application Note Drive Circuit Basics eBook Subscription Services
 - Industrial Circuits Application Note Drive Circuit Basics Budget-Friendly Options
 6. Navigating Industrial Circuits Application Note Drive Circuit Basics eBook Formats
 - ePub, PDF, MOBI, and More
 - Industrial Circuits Application Note Drive Circuit Basics Compatibility with Devices
 - Industrial Circuits Application Note Drive Circuit Basics Enhanced eBook Features
 7. Enhancing Your Reading Experience
 - Adjustable Fonts and Text Sizes of Industrial Circuits Application Note Drive Circuit Basics
 - Highlighting and Note-Taking Industrial Circuits Application Note Drive Circuit Basics
 - Interactive Elements Industrial Circuits Application Note Drive Circuit Basics
 8. Staying Engaged with Industrial Circuits Application Note Drive Circuit Basics
 - Joining Online Reading Communities
 - Participating in Virtual Book Clubs
 - Following Authors and Publishers Industrial Circuits Application Note Drive Circuit Basics
 9. Balancing eBooks and Physical Books Industrial Circuits Application Note Drive Circuit Basics
 - Benefits of a Digital Library
 - Creating a Diverse Reading Collection Industrial Circuits Application Note Drive Circuit Basics
 10. Overcoming Reading Challenges
 - Dealing with Digital Eye Strain
 - Minimizing Distractions
 - Managing Screen Time
 11. Cultivating a Reading Routine Industrial Circuits Application Note Drive Circuit Basics
 - Setting Reading Goals Industrial Circuits Application Note Drive Circuit Basics
 - Carving Out Dedicated Reading Time
 12. Sourcing Reliable Information of Industrial Circuits Application Note Drive Circuit Basics

- Fact-Checking eBook Content of Industrial Circuits Application Note Drive Circuit Basics
 - Distinguishing Credible Sources
13. Promoting Lifelong Learning
- Utilizing eBooks for Skill Development
 - Exploring Educational eBooks
14. Embracing eBook Trends
- Integration of Multimedia Elements
 - Interactive and Gamified eBooks

Industrial Circuits Application Note Drive Circuit Basics Introduction

In this digital age, the convenience of accessing information at our fingertips has become a necessity. Whether its research papers, eBooks, or user manuals, PDF files have become the preferred format for sharing and reading documents. However, the cost associated with purchasing PDF files can sometimes be a barrier for many individuals and organizations. Thankfully, there are numerous websites and platforms that allow users to download free PDF files legally. In this article, we will explore some of the best platforms to download free PDFs. One of the most popular platforms to download free PDF files is Project Gutenberg. This online library offers over 60,000 free eBooks that are in the public domain. From classic literature to historical documents, Project Gutenberg provides a wide range of PDF files that can be downloaded and enjoyed on various devices. The website is user-friendly and allows users to search for specific titles or browse through different categories. Another reliable platform for downloading Industrial Circuits Application Note Drive Circuit Basics free PDF files is Open Library. With its vast collection of over 1 million eBooks, Open Library has something for every reader. The website offers a seamless experience by providing options to borrow or download PDF files. Users simply need to create a free account to access this treasure trove of knowledge. Open Library also allows users to contribute by uploading and sharing their own PDF files, making it a collaborative platform for book enthusiasts. For those interested in academic resources, there are websites dedicated to providing free PDFs of research papers and scientific articles. One such website is Academia.edu, which allows researchers and scholars to share their work with a global audience. Users can download PDF files of research papers, theses, and dissertations covering a wide range of subjects. Academia.edu also provides a platform for discussions and networking within the academic community. When it comes to downloading Industrial Circuits Application Note Drive Circuit Basics free PDF files of magazines, brochures, and catalogs, Issuu is a popular choice. This digital publishing platform hosts a vast collection of publications from around the world. Users can search for specific titles or explore various categories and genres. Issuu offers a seamless reading experience with its user-friendly interface and allows users to

download PDF files for offline reading. Apart from dedicated platforms, search engines also play a crucial role in finding free PDF files. Google, for instance, has an advanced search feature that allows users to filter results by file type. By specifying the file type as "PDF," users can find websites that offer free PDF downloads on a specific topic. While downloading Industrial Circuits Application Note Drive Circuit Basics free PDF files is convenient, it's important to note that copyright laws must be respected. Always ensure that the PDF files you download are legally available for free. Many authors and publishers voluntarily provide free PDF versions of their work, but it's essential to be cautious and verify the authenticity of the source before downloading Industrial Circuits Application Note Drive Circuit Basics. In conclusion, the internet offers numerous platforms and websites that allow users to download free PDF files legally. Whether it's classic literature, research papers, or magazines, there is something for everyone. The platforms mentioned in this article, such as Project Gutenberg, Open Library, Academia.edu, and Issuu, provide access to a vast collection of PDF files. However, users should always be cautious and verify the legality of the source before downloading Industrial Circuits Application Note Drive Circuit Basics any PDF files. With these platforms, the world of PDF downloads is just a click away.

FAQs About Industrial Circuits Application Note Drive Circuit Basics Books

What is a Industrial Circuits Application Note Drive Circuit Basics PDF? A PDF (Portable Document Format) is a file format developed by Adobe that preserves the layout and formatting of a document, regardless of the software, hardware, or operating system used to view or print it. **How do I create a Industrial Circuits Application Note Drive Circuit Basics PDF?** There are several ways to create a PDF: Use software like Adobe Acrobat, Microsoft Word, or Google Docs, which often have built-in PDF creation tools. Print to PDF: Many applications and operating systems have a "Print to PDF" option that allows you to save a document as a PDF file instead of printing it on paper. Online converters: There are various online tools that can convert different file types to PDF. **How do I edit a Industrial Circuits Application Note Drive Circuit Basics PDF?** Editing a PDF can be done with software like Adobe Acrobat, which allows direct editing of text, images, and other elements within the PDF. Some free tools, like PDFescape or Smallpdf, also offer basic editing capabilities. **How do I convert a Industrial Circuits Application Note Drive Circuit Basics PDF to another file format?** There are multiple ways to convert a PDF to another format: Use online converters like Smallpdf, Zamzar, or Adobe Acrobat's export feature to convert PDFs to formats like Word, Excel, JPEG, etc. Software like Adobe Acrobat, Microsoft Word, or other PDF editors may have options to export or save PDFs in different formats. **How do I password-protect a Industrial Circuits Application Note Drive Circuit Basics PDF?** Most PDF editing software allows you to add password protection. In Adobe Acrobat, for instance, you can go to "File" -> "Properties" -> "Security" to set a password to restrict access or editing capabilities. Are

there any free alternatives to Adobe Acrobat for working with PDFs? Yes, there are many free alternatives for working with PDFs, such as: LibreOffice: Offers PDF editing features. PDFsam: Allows splitting, merging, and editing PDFs. Foxit Reader: Provides basic PDF viewing and editing capabilities. How do I compress a PDF file? You can use online tools like Smallpdf, ILovePDF, or desktop software like Adobe Acrobat to compress PDF files without significant quality loss. Compression reduces the file size, making it easier to share and download. Can I fill out forms in a PDF file? Yes, most PDF viewers/editors like Adobe Acrobat, Preview (on Mac), or various online tools allow you to fill out forms in PDF files by selecting text fields and entering information. Are there any restrictions when working with PDFs? Some PDFs might have restrictions set by their creator, such as password protection, editing restrictions, or print restrictions. Breaking these restrictions might require specific software or tools, which may or may not be legal depending on the circumstances and local laws.

Find Industrial Circuits Application Note Drive Circuit Basics :

personality theory research and assessment

plumbing design and installation 3rd edition

physics laboratory manual loyd answers guide

poultry science fourth edition ensminger truckuore

pivot point 1 kasie west

planteamiento del problema objetivos preguntas de

pioneer fh x700bt factory reset

political science theory and practice mazhar ul haq

penny dreadful comic

power cables shunyata research

pet rescue saga on facebook facebook

~~phlebotomy notes pocket guide to blood collection~~

plumbs veterinary drug handbook 8th edition pdf

polyether polyols production basis and purpose document

~~polynomial project answers~~

Industrial Circuits Application Note Drive Circuit Basics :

vocabulary workshop sadlier connect - Nov 11 2022

web learn test match created by batalex66 try to inform me errors typos or things like that terms in this set 20 antics ridiculous and unpredictable behavior or actions avowed declared openly and without shame acknowledged banter to exchange playful remarks tease talk that is playful and teasing bountiful

select your book level to practice sadlier oxford vocabulary workshop - Aug 20 2023

web select your vocabulary workshop level level a level b level c level d level e level f level g level h select a book level to practice for the vocabulary workshop series published by sadlier oxford list of sadlier oxford vocabulary workshop books which we offer practice vocabulary tests

vocabulary workshop enriched edition level c grade 8 - May 17 2023

web oct 1 1996 3 68 37 ratings2 reviews over the years vocabulary workshop has proven to be a successful tool for guiding systematic vocabulary growth and developing vocabulary skills it has also been shown to be a valuable help to students preparing for standardized tests

sadlier oxford vocabulary workshop level c unit 4 quiz tpt - Jun 06 2022

web the vocabulary program that s more than a word list the tools for excellence edition continues vocabulary workshop s more than 50 year legacy of success building students vocabularies includes not only research based word *vocabulary workshop level c practice vocabulary tests for sadlier* - Oct 22 2023

web vocabulary workshop tests for level c select your unit to see our practice vocabulary tests and vocabulary games for sadlier oxford s book vocabulary workshop level c units for vocabulary practice with words from the

vocabulary workshop tools for excellence interactive edition - Mar 15 2023

web grade 8 level c grade 9 level d grade 10 level e grade 11 level f grade 12 level g grade 12 level h 2 07 video overview watch to learn vocabulary workshop achieve helps to deepen students understanding of each word s meaning by focusing on only 10 words at a time

vocabulary workshop tools for excellence grades 6 12 sadlier - Jan 13 2023

web sadlier oxford vocabulary workshop level c by jerome shostak write a review how customer reviews and ratings work see all buying options top positive review all positive reviews deborah r 5 0 out of 5 stars vocabulary challenger *sadlier oxford vocabulary workshop level c unit 2 vocabs* - Oct 10 2022

web learn test match created by lissapb sadlier oxford vocabulary workshop level c unit 4 students also viewed somos flex 1 1 teacher 14 terms senoraparques preview vocab level c unit 5 20 terms coryluba preview sadlier vocabulary workshop level c unit 5 completing the sentence 20 terms milenasmolizzakmhs preview types of government

sadlier oxford vocabulary workshop level c unit 6 definitions quizlet - Aug 08 2022

web these fifteen vocabulary tests are aligned to the sadlier oxford vocabulary workshop level c workbook the workbook

itself does a great job of introducing high level highly useable vocabulary and providing students with plenty of practice opportunities but i have found their computer generated tes

experience vocabulary workshop tools for excellence sadlier - May 05 2022

web sadlier vocabulary workshop level c unit 1 synonyms as the ad campaign slowly progressed click the card to flip evolved click the card to flip 1 10 flashcards learn test match q chat created by ava card terms in this set 10 as the ad campaign slowly progressed evolved tried to prohibit further objections to the bill preclude

amazon com customer reviews sadlier oxford vocabulary workshop level c - Dec 12 2022

web sadlier connect bookshelf that link is broken we cannot seem to find vw

sadlier vocabulary workshop level c unit 1 synonyms - Apr 04 2022

web learn test match created by edwardcruz327 terms in this set 20 adage n a proverb wise saying bonanza n a rich mass of ore in a mine something very valuable profitable or rewarding a source of wealth or prosperity a very large amount sudden profit or

vocabulary sadlier school - Jun 18 2023

web download now ebook vocabulary the foundation of literacy volume i ebook grades k 12 sadlier school the vocabulary experts with our best selling research based vocabulary workshop series available in print and interactive editions

sadlier oxford vocabulary workshop level c amazon com - Jul 19 2023

web jan 1 2005 sadlier oxford vocabulary workshop level c workbook edition over the years vocabulary workshop has proven to be a successful tool for guiding systematic vocabulary growth and developing vocabulary skills it has also been shown to be a valuable help to students preparing for standardized tests

sadlier oxford vocabulary workshop level c assessments ppt - Jul 07 2022

web sadlier oxford vocabulary workshop level c unit 4 twenty five multiple choice question quiz part of speech synonyms antonyms definitions and completing the sentence this file contains the quiz answer key and word list created by elaine r jones

sadlier oxford level c unit 1 vocabulary flashcards quizlet - Mar 03 2022

vocabulary workshop achieve grades 6 12 sadlier school - Feb 14 2023

web vocabulary workshop tools for excellence for grades 6 12 levels a h more than just a word list building students vocabularies requires not only word lists but research based instruction and practice whether you are using the interactive edition or printed book vocabulary workshop tools for excellence provides

vocabulary workshop grades 1 12 overview sadlier school - Sep 21 2023

web vocabulary workshop tools for comprehension grades 1 5 the new edition of this vocabulary development program explicitly teaches vocabulary in context of high quality texts now leveled versions online and delivers multiple exposures to words with print and digital resources

sadlier oxford vocabulary workshop level c goodreads - Apr 16 2023

web the learning will never be interrupted with vocabulary workshop tools for excellence interactive edition students access the research based proven vocabulary workshop to build their vocabularies in a personalized way including explicit instruction and practice through engaging contextual and definitional approaches

sadlier oxford vocabulary workshop level c unit 4 flashcards - Sep 09 2022

web sadlier oxford vocabulary workshop level c unit 6 definitions 5 0 3 reviews abashed click the card to flip adj part embarrassed ashamed or nonplussed click the card to flip 1 20 flashcards learn test match created by xxx awesomesos xxx teacher terms in this set 20 abashed adj part embarrassed ashamed or

the viic type u boot super drawings in 3d kent roberts - Nov 11 2022

type vii u boats robert cecil stern 1991 the type vii u boat was the quintessential u boat the one that comes to mind whenever the subject of the battle of the atlantic in world war

the viic type u boot super drawings in 3d - Sep 21 2023

mar 1 2011 this is the tenth 16010 book in kagero s super drawings in 3d series the book is a stapled 8 1 4 x 11 3 4 card cover with 72 pages including card covers the subject of

the viic type u boot 10 super drawings in 3d paperback - Jul 19 2023

mar 1 2011 buy the viic type u boot 10 super drawings in 3d by jastrzębski mieczysław isbn 9788361220770 from amazon s book store everyday low prices and free delivery on

the viic type u boot super drawings in 3d 10 paperback - Dec 12 2022

this is book number 10 in the super drawings in 3d series 5 japanese battleship kongo super drawings in 3d 5 paperback 26 95 20 the type ii u boat super drawings

the viic type u boot 10 super drawings in 3d paperback - Apr 16 2023

amazon in buy the viic type u boot 10 super drawings in 3d book online at best prices in india on amazon in read the viic type u boot 10 super drawings in 3d book reviews

type viic type u boot super drawings in 3d series 16010 - Jan 13 2023

click to read more about type viic type u boot super drawings in 3d series 16010 by waldemar goralski librarything is a cataloging and social networking site for booklovers all

3d warehouse - Jul 07 2022

3d warehouse is a website of searchable pre made 3d models that works seamlessly with sketchup

the viic type u boot super drawings in 3d - Nov 30 2021

pronouncement the viic type u boot super drawings in 3d that you are looking for it will extremely squander the time

however below with you visit this web page it will be for that

the viic type u boot casemate publishers us - May 17 2023

the viic type u boot by waldemar góralski and mieczysław jastrzebski series super drawings in 3d imprint kagero

the viic type u boot super drawings in 3d pdf videos bookbrush - May 05 2022

2 the viic type u boot super drawings in 3d 2022 01 31 sea across the ocean to the bay of biscay the mediterranean sea down to africa and across the south atlantic to brazil s

the viic type u boot super drawings in 3d pdf - Jun 06 2022

the viic type u boot super drawings in 3d the u boat u boat 1936 45 type viia b c and type viic 41 u boats of the second world war their longest voyages hitler s wonder u

the viic type u boot super drawings in 3d on onbuy - Mar 15 2023

the viic type u boot super drawings in 3d description the viic type u boot super drawings in 3d the type viic was a slightly modified version of the successful viib

read pdf the viic type u boot super drawings in 3d issuu - Oct 10 2022

jul 25 2023 4 minutes ago get pdf download the viic type u boot super drawings in 3d the type viic was a slightly modified version of the successful viib they had basically

the viic type u boot super drawings in 3d 2022 - Feb 02 2022

feb 4 2023 the viic type u boot super drawings in 3d 1 the viic type u boot super drawings in 3d this is likewise one of the factors by obtaining the soft documents of this the

the viic type u boot super drawings in 3d download only - Mar 03 2022

the type ii u boat the viic type u boot super drawings in 3d downloaded from analytics mirowin com by guest neveah hunter the official u boat commanders

the viic type u boot super drawings in 3d copy dev bishopengine - Jan 01 2022

the viic type u boot super drawings in 3d whispering the strategies of language an psychological journey through the viic type u boot super drawings in 3d in a digitally

amazon com customer reviews the viic type u boot super - Jun 18 2023

find helpful customer reviews and review ratings for the viic type u boot super drawings in 3d at amazon com read honest and unbiased product reviews from our users

the viic type u boot super drawings in 3d thomas f lynch iii - Sep 09 2022

viic type u boot super drawings in 3d can be taken as competently as picked to act type vii marek krzyształowicz 2012 05 02
describ es the type vii and its place in the history of

type viic u boat types german u boats of wwii - Aug 08 2022

the viic was the workhorse of the german u boat force in world war two from 1941 onwards and boats of this type were being built throughout the war the first viic boat being

amazon co uk customer reviews the viic type u boot 10 - Feb 14 2023

find helpful customer reviews and review ratings for the viic type u boot 10 super drawings in 3d at amazon com read honest and unbiased product reviews from our users

the viic type u boot super drawings in 3d pdf pdf - Apr 04 2022

introduction the viic type u boot super drawings in 3d pdf pdf jacob the liar jurek becker 1996 cut off from all news of the war along with thousands of fellow prisoners jacob

the viic type u boot super drawings in 3d kağıt kapak - Aug 20 2023

the viic type u boot super drawings in 3d mieczys aw jastrzbski amazon com tr kitap

unverschämtes glück accounts ceu social - Apr 13 2022

web unverschämtes glück unverschämtes glück book review unveiling the power of words in a global driven by information and connectivity the energy of words has be

unverschämtes glück by robert lebeck 2004 04 01 biblio - Dec 10 2021

web apr 1 2004 unverschämtes glück by robert lebeck used hardcover steidl gerhard verlag 2004 04 01 hardcover used good bookseller ergodebooks us

unverschämtes glück 2015 german movie cover cinematerial - Nov 08 2021

web high resolution german movie cover image for unverschämtes glück 2015 the image measures 1920 2560 pixels and is 490 kilobytes large

unverschämtes glück 2015 the a v club - Jan 23 2023

web film movie reviews unverschämtes glück 2015 unverschämtes glück 2015 1h 30m drama cast

unverschämtes glück pdf ceu social - Nov 20 2022

web unverschämtes glück the enigmatic realm of unverschämtes glück unleashing the language is inner magic in a fast paced digital era where connections and knowledge

gebelikte uçuk Önemsenmelidir central hospital - Feb 09 2022

web uçuk hastalığı 20 gün sürebilir bu sebeple anne adayında vajinal akıntı ve kasıktaki lenf bezlerinde şişmeler görülebilir

ayrıca ateş baş ağrısı yorgunluk ve halsizlik de görülen

full cast of unverschämtes glück movie 2015 moviemeter com - Jun 27 2023

web full overview of all actors and actresses in the film unverschämtes glück 2015

unverschämtes glück 2015 directed by hartmut schoen - Mar 25 2023

web copy url to clipboard tweet a link share to facebook about news pro apps podcast year in review gift guide

unverschämtes glück movie streaming online watch - Jul 17 2022

web bambai meri jaan review riveting drama with top notch performances

unverschämtes glück pdf help environment harvard edu - Aug 30 2023

web unverschämtes glück but stop in the works in harmful downloads rather than enjoying a good ebook when a mug of coffee in the afternoon instead they juggled in the manner of

unstuck nedir ne demek - Jan 11 2022

web unstuck nedir ve unstuck ne demek sorularına hızlı cevap veren sözlük sayfası unstuck anlamı unstuck türkçesi unstuck nnd

unverschämtes glück 2015 directed by hartmut schoen - Apr 25 2023

web letterboxd is an independent service created by a small team and we rely mostly on the support of our members to maintain our site and apps please consider upgrading to a

all comments for unverschämtes glück 2015 trakt - Aug 18 2022

web ads suck but they help pay the bills hide ads with

unverschämtes glück movie 2015 moviemeter com - May 27 2023

web 9 587 shows 28 634 seasons 606 509 actors 8 832 182 votes

gümüşlük akademisi vakfı - Jun 15 2022

web resmi adı gümüşlük akademisi sanat kültür ekoloji ve bilimsel araştırmalar merkezi vakfı şu tek amaç üzerinden süregelen bahçenin varlığı anlamı ve işlevi meşe

unverschämtes glück book sgsbenelux internalpublications - Sep 30 2023

web unveiling the energy of verbal artistry an emotional sojourn through unverschämtes glück in a global inundated with displays and the cacophony of instant connection the

unverschämtes glück 2015 trakt - Feb 21 2023

web mar 25 2015 what did you think 1 play

uçuk bulaşıcı mıdır uçuk herpes simpleks virus nedir - May 15 2022

web apr 4 2018 uçuk bulaşıcı mıdır uçuk herpes simpleks virus nedir belirtileri ve tedavisi uçuk yemek yemeyi konuşmayı

gülmeyi zorlaştıracak kadar ağrı ve acı

[uçuk nedenleri ve tedavisi uçuk nasıl geçer](#) - Mar 13 2022

web feb 19 2019 uçuk tedavisi bugün için uçuğun kesin tedavisi mümkün değildir kullanılmakta olan antiviraller virüs enfeksiyonuna karşı ilaçlar enfeksiyonu kontrol

[unverschämtes glück 2015 german movie poster cinematerial](#) - Oct 20 2022

web german movie poster image for unverschämtes glück 2015 the image measures 500 735 pixels and is 45 kilobytes large

unverschämtes glück thetvdb com - Sep 18 2022

web hans heinrich hardt as erwin seiler needs role specific image ramona kunze libnow as professor messner needs role specific image

unverschämtes glück 2015 the streamable - Jul 29 2023

web unverschämtes glück 2015 on demand unverschämtes glück is not available to stream with a subscription service buy about unverschämtes glück article continues below

unverschämtes glück by robert lebeck 2004 biblio - Dec 22 2022

web unverschämtes glück by robert lebeck used good hardcover steidl 2004 hardcover good bookseller ergodebooks us format binding hardcover book condition used