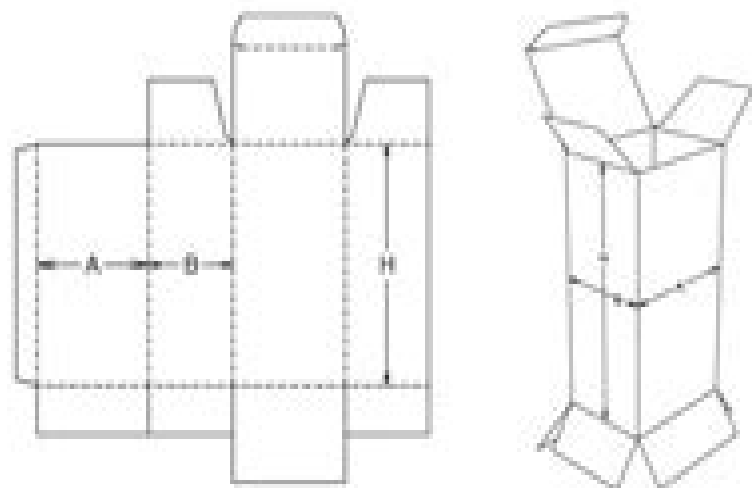
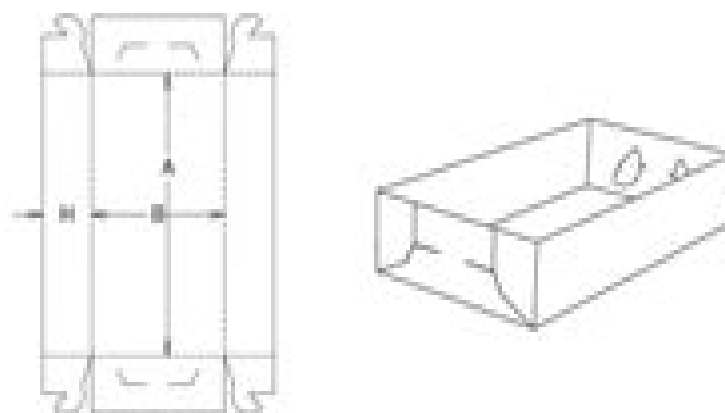


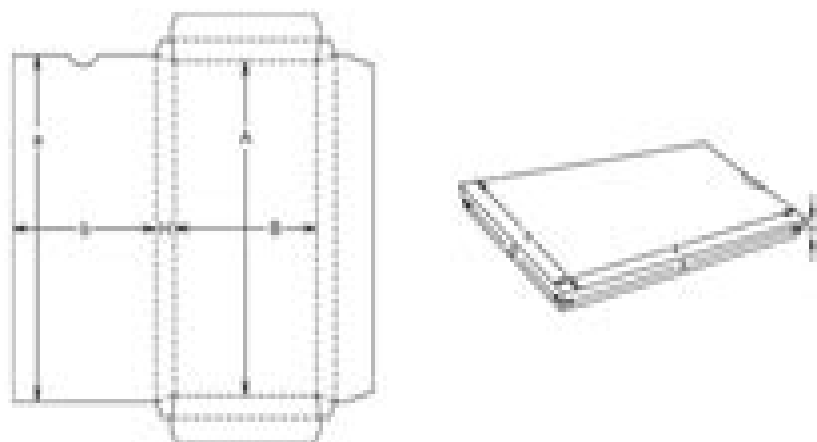
A 11.20.03.03



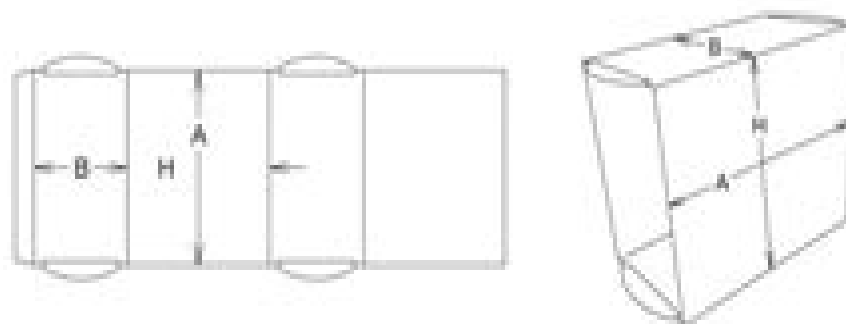
B 15.06.00.00



D20.20.20.50



E11.20.00.00



Standard Ecma

Nicholas C. Zakas



Standard Ecma:

Web Standards Leslie Sikos,2012-01-14 Web Standards Mastering HTML5 CSS3 and XML provides solutions to the most common website problems and gives you a deep understanding of web standards and how they can be applied to improve your website You will learn how to create fully standards compliant websites and provide search engine optimized Web documents with faster download times accurate rendering correct appearance and layout lower development cost approved accessibility backward and forward compatibility and easy maintenance and content updating The book covers all major Web standards focusing on syntax grammar recommended annotations and other standardization concerns Web Standards Mastering HTML5 CSS3 and XML is also a comprehensive guide to current and future standards for the World Wide Web As a web developer you ll have seen problems with inconsistent appearance and behavior of the same site in different browsers Web standards can and should be used to completely eliminate these problems Web Standards Mastering HTML5 CSS3 and XML describes how you can make the most of web standards through technology discussions as well as practical sample code that you can use for your own sites and web applications It also provides a quick guide to standard website creation for Web developers Learn techniques and best practices to achieve full standards compliance Write valid markup styles and news feeds from scratch or standardize websites by redesign Restrict markup to semantics and provide reliable layout

Programming Language Cultures Brian Lennon,2024-08-27 In this book Brian Lennon demonstrates the power of a philological approach to the history of programming languages and their usage cultures In chapters focused on specific programming languages such as SNOBOL and JavaScript as well as on code comments metasyntactic variables the very early history of programming and the concept of DevOps Lennon emphasizes the histories of programming languages in their individual specificities over their abstract formal or structural characteristics viewing them as carriers and sometimes shapers of specific cultural histories The book s philological approach to programming languages presents a natural sensible and rigorous way for researchers trained in the humanities to perform research on computing in a way that draws on their own expertise Combining programming knowledge with a humanistic analysis of the social and historical dimensions of computing Lennon offers researchers in literary studies STS media and digital studies and technical fields the first technically rigorous approach to studying programming languages from a humanities based perspective

JavaScript Programmer's Reference Thomas Valentine,Jonathan Reid,2013-06-26 JavaScript Programmer s Reference is an invaluable resource that won t stray far from your desktop or your tablet It contains detailed information on every JavaScript object and command and combines that reference with practical examples showcasing how you can use those commands in the real world Whether you re just checking the syntax of a method or you re starting out on the road to JavaScript mastery the JavaScript Programmer s Reference will be an essential aid With a detailed and informative tutorial section giving you the ins and outs of programming with JavaScript and the DOM followed by a command by command reference your next project will

pop with interactivity and keep your audience coming back for more JavaScript Programmer's Reference is your one stop source for everything you'll need to know to become a cutting edge web developer using the latest tools and techniques available today In depth explanations and activities to explain not just the command in question but why it is used in that way Progressive learning curve to not overwhelm and confuse you Handy and extremely informative quick reference of every command within the JavaScript DOM specifications

ADA Yearbook 1994 Chris Loftus,1994

OSI Standards and Acronyms,1991 One of the fastest expanding fields in computing and telecommunications is Open Systems Interconnection O S I The requirement for computers to communicate with each other has led to a need for standardisation This in turn has produced an array of international national semi official and proposed standards and an accompanying wealth of acronyms The author has compiled this invaluable book to guide readers through the resulting maze

Guide to IT Standards Makers and Their Standards Peter Judge,1991

Professional JavaScript for Web Developers Nicholas C. Zakas,2012-01-18 This book provides a developer level introduction along with more advanced and useful features of JavaScript Coverage includes JavaScript use with HTML to create dynamic webpages language concepts including syntax and flow control statements variable handling given their loosely typed nature built in reference types such as object and array object oriented programming powerful aspects of function expressions Browser Object Model allowing interaction with the browser itself detecting the client and its capabilities Document Object Model DOM objects available in DOM Level 1 how DOM Levels 2 and 3 augmented the DOM events legacy support and how the DOM redefined how events should work enhancing form interactions and working around browser limitations using the canvas tag to create on the fly graphics JavaScript API changes in HTML5 how browsers handle JavaScript errors and error handling features of JavaScript used to read and manipulate XML data the JSON data format as an alternative to XML Ajax techniques including the use of XMLHttpRequest object and CORS complex patterns including function currying partial function application and dynamic functions offline detection and storing data on the client machine techniques for JavaScript in an enterprise environment for better maintainability This book is aimed at three groups of readers Experienced object oriented programming developers looking to learn JavaScript as it relates to traditional OO languages such as Java and C Web application developers attempting to enhance site usability novice JavaScript developers Nicholas C Zakas worked with the Web for over a decade He has worked on corporate intranet applications used by some of the largest companies in the world and large scale consumer websites such as MyYahoo and the Yahoo homepage He regularly gives talks at companies and conferences regarding front end best practices and new technology

The World of Standards,1991

ECMA Standard,1969

McGraw-Hill's Compilation of Data Communications Standards Harold C. Folts,1986

Pathways to the Information Society M. B. Williams,1982

The Honeywell Computer Journal Honeywell Inc. Electronic Data Processing Division,1974

Guidelines for Electronic Text Encoding and Interchange C. M. Sperberg-McQueen,Lou Burnard,1997

Pathways to the Information Society ,1982 MAP/TOP Networking Vincent C. Jones,1988

Mastering JavaScript and Jscript Jamie Jaworski,1999-04-23 Make Your Web Site Dynamic But how Mastering JavaScript and JScript teaches you everything you need to know about these popular scripting languages to transform any Web site into a dynamic interactive practical application For those without programming knowledge it starts at the beginning you ll learn basic concepts and skills and quickly go on to tackle the tasks you want to accomplish For experienced programmers it offers plenty of advanced instruction Jaworski a scripting expert shares insights and techniques that will see you through the most challenging projects Coverage includes Writing client side JavaScript and JScript Ensuring that your scripts work with IE and Navigator Writing server side JavaScript Writing LiveWire applications Integrating JScript with Active Server Pages Using JavaScript to connect to databases Using JavaScript with Java applets Using JScript with ActiveX Using Windows Scripting Host Handling events Working with objects Communicating with plug ins Processing forms Using hidden fields and cookies Creating Web page widgets Developing search tools Programming games Interfacing with CGI programs Working with style sheets and DHTML Securing your scripts Optical Engineering ,2002 Publishes papers reporting on research and development in optical science and engineering and the practical applications of known optical science engineering and technology *Proceedings of the PCTE '93 Conference* Ian Campbell,1993 *Proceedings of the 8th International Conference of the Nigeria Computer Society* Ajibike O. Iteboje,2005 **Quantifying Pollutant Emissions from Office Equipment : a Concern in Energy-efficient Buildings** ,2011

Standard Ecma Book Review: Unveiling the Magic of Language

In an electronic era where connections and knowledge reign supreme, the enchanting power of language has become more apparent than ever. Its power to stir emotions, provoke thought, and instigate transformation is truly remarkable. This extraordinary book, aptly titled "**Standard Ecma**," published by a very acclaimed author, immerses readers in a captivating exploration of the significance of language and its profound effect on our existence. Throughout this critique, we will delve into the book's central themes, evaluate its unique writing style, and assess its overall influence on its readership.

https://py.bijouxmedusa.com/results/browse/Download_PDFS/apps_america_24_2159_tiktok_marketing_apps_united_states_24_185_tiktok.pdf

Table of Contents Standard Ecma

1. Understanding the eBook Standard Ecma
 - The Rise of Digital Reading Standard Ecma
 - Advantages of eBooks Over Traditional Books
2. Identifying Standard Ecma
 - Exploring Different Genres
 - Considering Fiction vs. Non-Fiction
 - Determining Your Reading Goals
3. Choosing the Right eBook Platform
 - Popular eBook Platforms
 - Features to Look for in an Standard Ecma
 - User-Friendly Interface
4. Exploring eBook Recommendations from Standard Ecma
 - Personalized Recommendations
 - Standard Ecma User Reviews and Ratings
 - Standard Ecma and Bestseller Lists

5. Accessing Standard Ecma Free and Paid eBooks
 - Standard Ecma Public Domain eBooks
 - Standard Ecma eBook Subscription Services
 - Standard Ecma Budget-Friendly Options
6. Navigating Standard Ecma eBook Formats
 - ePub, PDF, MOBI, and More
 - Standard Ecma Compatibility with Devices
 - Standard Ecma Enhanced eBook Features
7. Enhancing Your Reading Experience
 - Adjustable Fonts and Text Sizes of Standard Ecma
 - Highlighting and Note-Taking Standard Ecma
 - Interactive Elements Standard Ecma
8. Staying Engaged with Standard Ecma
 - Joining Online Reading Communities
 - Participating in Virtual Book Clubs
 - Following Authors and Publishers Standard Ecma
9. Balancing eBooks and Physical Books Standard Ecma
 - Benefits of a Digital Library
 - Creating a Diverse Reading Collection Standard Ecma
10. Overcoming Reading Challenges
 - Dealing with Digital Eye Strain
 - Minimizing Distractions
 - Managing Screen Time
11. Cultivating a Reading Routine Standard Ecma
 - Setting Reading Goals Standard Ecma
 - Carving Out Dedicated Reading Time
12. Sourcing Reliable Information of Standard Ecma
 - Fact-Checking eBook Content of Standard Ecma
 - Distinguishing Credible Sources
13. Promoting Lifelong Learning

- Utilizing eBooks for Skill Development
 - Exploring Educational eBooks
14. Embracing eBook Trends
- Integration of Multimedia Elements
 - Interactive and Gamified eBooks

Standard Ecma Introduction

Standard Ecma Offers over 60,000 free eBooks, including many classics that are in the public domain. Open Library: Provides access to over 1 million free eBooks, including classic literature and contemporary works. Standard Ecma Offers a vast collection of books, some of which are available for free as PDF downloads, particularly older books in the public domain.

Standard Ecma : This website hosts a vast collection of scientific articles, books, and textbooks. While it operates in a legal gray area due to copyright issues, its a popular resource for finding various publications. Internet Archive for Standard Ecma : Has an extensive collection of digital content, including books, articles, videos, and more. It has a massive library of free downloadable books. Free-eBooks Standard Ecma Offers a diverse range of free eBooks across various genres. Standard Ecma Focuses mainly on educational books, textbooks, and business books. It offers free PDF downloads for educational purposes. Standard Ecma Provides a large selection of free eBooks in different genres, which are available for download in various formats, including PDF. Finding specific Standard Ecma, especially related to Standard Ecma, might be challenging as theyre often artistic creations rather than practical blueprints. However, you can explore the following steps to search for or create your own Online Searches: Look for websites, forums, or blogs dedicated to Standard Ecma, Sometimes enthusiasts share their designs or concepts in PDF format. Books and Magazines Some Standard Ecma books or magazines might include. Look for these in online stores or libraries. Remember that while Standard Ecma, sharing copyrighted material without permission is not legal. Always ensure youre either creating your own or obtaining them from legitimate sources that allow sharing and downloading. Library Check if your local library offers eBook lending services. Many libraries have digital catalogs where you can borrow Standard Ecma eBooks for free, including popular titles. Online Retailers: Websites like Amazon, Google Books, or Apple Books often sell eBooks. Sometimes, authors or publishers offer promotions or free periods for certain books. Authors Website Occasionally, authors provide excerpts or short stories for free on their websites. While this might not be the Standard Ecma full book , it can give you a taste of the authors writing style. Subscription Services Platforms like Kindle Unlimited or Scribd offer subscription-based access to a wide range of Standard Ecma eBooks, including some popular titles.

FAQs About Standard Ecma Books

What is a Standard Ecma PDF? A PDF (Portable Document Format) is a file format developed by Adobe that preserves the layout and formatting of a document, regardless of the software, hardware, or operating system used to view or print it. **How do I create a Standard Ecma PDF?** There are several ways to create a PDF: Use software like Adobe Acrobat, Microsoft Word, or Google Docs, which often have built-in PDF creation tools. Print to PDF: Many applications and operating systems have a "Print to PDF" option that allows you to save a document as a PDF file instead of printing it on paper. Online converters: There are various online tools that can convert different file types to PDF. **How do I edit a Standard Ecma PDF?** Editing a PDF can be done with software like Adobe Acrobat, which allows direct editing of text, images, and other elements within the PDF. Some free tools, like PDFescape or Smallpdf, also offer basic editing capabilities. **How do I convert a Standard Ecma PDF to another file format?** There are multiple ways to convert a PDF to another format: Use online converters like Smallpdf, Zamzar, or Adobe Acrobat's export feature to convert PDFs to formats like Word, Excel, JPEG, etc. Software like Adobe Acrobat, Microsoft Word, or other PDF editors may have options to export or save PDFs in different formats. **How do I password-protect a Standard Ecma PDF?** Most PDF editing software allows you to add password protection. In Adobe Acrobat, for instance, you can go to "File" -> "Properties" -> "Security" to set a password to restrict access or editing capabilities. Are there any free alternatives to Adobe Acrobat for working with PDFs? Yes, there are many free alternatives for working with PDFs, such as: LibreOffice: Offers PDF editing features. PDFsam: Allows splitting, merging, and editing PDFs. Foxit Reader: Provides basic PDF viewing and editing capabilities. How do I compress a PDF file? You can use online tools like Smallpdf, ILovePDF, or desktop software like Adobe Acrobat to compress PDF files without significant quality loss. Compression reduces the file size, making it easier to share and download. Can I fill out forms in a PDF file? Yes, most PDF viewers/editors like Adobe Acrobat, Preview (on Mac), or various online tools allow you to fill out forms in PDF files by selecting text fields and entering information. Are there any restrictions when working with PDFs? Some PDFs might have restrictions set by their creator, such as password protection, editing restrictions, or print restrictions. Breaking these restrictions might require specific software or tools, which may or may not be legal depending on the circumstances and local laws.

Find Standard Ecma :

apps America 24-2159 TikTok marketing apps United States 24-185 TikTok

tips America 24-1403 mobile app ideas tips United States 24-2212 mobile

24-1755 online business for beginners America 24-2981 online business

[case study for startups 24-518](#) [AI tools checklist for entrepreneurs development comparison for entrepreneurs 24-2656](#) [blockchain development USA 24-2502](#) [YouTube growth step by step for startups 24-2765](#) [YouTube estate investing trends for creators 24-956](#) [real estate investing trends online roadmap America 24-239](#) [freelancing online roadmap United States retirement planning ideas for small business 24-2751](#) [retirement planning AI marketing tips for startups 24-2755](#) [AI marketing tools for 24-1266](#) [AI marketing step by step America 24-2360](#) [AI marketing step by USA 24-2122](#) [remote jobs for beginners United States 24-2071](#) [remote jobs small business ideas comparison USA 24-333](#) [small business ideas business ideas for creators 24-1376](#) [online business review America improvement strategies USA 24-2042](#) [credit score improvement strategies](#)

Standard Ecma :

a history of english literature by michael alexander open library - Jun 19 2022

web jul 27 2009 michael alexander a history of english literature rar file size 4 64 mb contains pdf document s added by impersonal 07 27 2009 14 25 info modified

a history of english literature bloomsbury publishing - May 31 2023

web jul 6 2017 michael alexander is emeritus professor of english literature university of st andrews uk he is a poet and translator and has international

a history of english literature michael alexander google books - Mar 17 2022

web hello sign in account lists returns orders cart

a history of english literature alexander michael amazon ca - Jul 21 2022

web a history of english literature remains the essential companion for anyone wishing to follow the unfolding of writing in england from its beginnings it is ideal for those who

a history of english literature macmillan foundations series 6 - Dec 26 2022

web dec 8 2000 a history of english literature provides a comprehensive survey of one of the richest and oldest literatures in the world presented as a narrative and usable as a

a history of english literature alexander michael 1941 free - Feb 13 2022

a history of english literature alexander michael 1941 free - Aug 02 2023

web a history of english literature provides a comprehensive survey of one of the richest and oldest literatures in the world presented as a narrative and usable as a work of

a history of english literature foundations amazon com - Oct 24 2022

web mar 26 2013 imported from amazon com record a history of english literature by michael alexander mar 26 2013 red globe press palgrave macmillan edition

michael alexander a history of english literature sciarium - Apr 17 2022

web a history of english literature alexander michael 1941 free download borrow and streaming internet archive

a history of english literature by michael alexander - Sep 03 2023

web english xx 443 p 25 cm traces the development of one of the world s richest literatures from the old english period through to the present day the narrative discusses a wide

michael alexander a history of english literature - Oct 04 2023

web jul 9 2021 english books addeddate 2021 07 09 05 51 41 identifier michael alexander a history of english literature

identifier ark ark 13960 t51h2k553 ocr tesseract 5 0 0 alpha 20201231 10 g1236

a history of english literature by michael alexander open library - Aug 22 2022

web may 29 2007 a history of english literature by michael alexander may 29 2007 palgrave macmillan edition paperback in english 2 edition a history of english

a history of english literature palgrave foundations - Jan 27 2023

web michael alexander a history of english literature palgrave foundations series paperback illustrated 30 january 2013 by michael alexander author 4 3 43 ratings

a history of english literature michael alexander google books - Feb 25 2023

web jan 30 2013 a history of english literature macmillan foundations series 6 3rd edition a history of english literature macmillan foundations series 6 3rd edition

a history of english literature michael alexander google books - Jul 01 2023

web this comprehensive text traces the development of one of the world s richest literatures from the old english period through to the present day discussing a wide range of key

a history of english literature macmillan foundations series - May 19 2022

web dec 8 2000 a history of english literature provides a comprehensive survey of one of the richest and oldest literatures in the world presented as a narrative and usable as a

a history of english literature palgrave foundations series - Nov 24 2022

web jan 1 2017 to write a linear history of a great literature is a difficult task verging on the impossible these days professor alexander has brought off a remarkable feat his

a history of english literature alexander michael amazon sg - Jan 15 2022

a history of english literature michael alexander google books - Apr 29 2023

web buy a history of english literature 6 macmillan foundations series 3 by alexander michael isbn 9780230368316 from amazon s book store everyday low prices and

a history of english literature 6 macmillan foundations - Mar 29 2023

web this comprehensive text traces the development of one of the world s richest literatures from the old english period through to the present day discussing a wide range of key

a history of english literature 2 e by michael alexander - Sep 22 2022

web this accessible book remains the essential companion for students of english literature and literary history or for anyone wishing to follow the unfolding of writing in england

the talbot odyssey by nelson demille hachette book group - Jun 15 2023

web it started as a simple spy hunt it became a desperate battle to save the west for forty years western intelligence agents have known a terrible secret the russians have a mole code named talbot inside the cia at first talbot is suspected of killing european agents then a street smart ex cop uncovers a storm of espionage and murder

the talbot odyssey nelson demille - Jul 16 2023

web may 25 1984 the talbot odyssey published on may 25 1984 for forty years western intelligence agents have known a terrible secret the russians have a mole code named talbot inside the cia at first talbot is suspected of killing european agents

the talbot odyssey amazon com - Aug 17 2023

web aug 25 2015 with 50 million books sold worldwide nelson demille is a true master dan brown it started as a simple spy hunt it became a desperate battle to save the west for forty years western intelligence agents have known a terrible secret the russians have a mole code named talbot inside the cia at first talbot

the talbot odyssey demille nelson author archive org - Feb 11 2023

web for forty years western intelligence agents have known a terrible secret the russians have a mole code named talbot inside the cia at first talbot is suspected of killing european agents then a street smart ex cop uncovers a storm of espionage and murder on the streets of new york while in a long island suburb a civic demonstration against the

the talbot odyssey nelson demille google books - Apr 13 2023

web apr 1 2001 the talbot odyssey nelson demille grand central publishing apr 1 2001 fiction 544 pages 13 reviews reviews

aren't verified but google checks for and removes fake content when it's

the talbot odyssey wikipedia - Oct 19 2023

web the talbot odyssey is a 1984 novel by american author nelson demille plot tony abrams a former police detective who served at the nypd's intelligence division 1 is working as the office's investigator for the o'brien kimberly and rose law firm of new york

the talbot odyssey nelson demille google books - May 14 2023

web sep 4 2008 the talbot odyssey nelson demille little brown book group sep 4 2008 fiction 640 pages for forty years western intelligence agents have known a terrible secret the russians have a mole

the talbot odyssey by nelson demille books on google play - Jan 10 2023

web the talbot odyssey ebook written by nelson demille read this book using google play books app on your pc android ios devices download for offline reading highlight bookmark or take notes while you read the talbot odyssey

the talbot odyssey summary study guide bookrags com - Mar 12 2023

web talbot is a double agent placed high within the intelligence community of the united states who has betrayed his country to the russians since world war two and has never been caught the colonel never arrives at the designated meeting

the talbot odyssey by nelson demille goodreads - Sep 18 2023

web may 1 1984 engineered by talbot a shadow world of suspicion and deceit is spilling onto the streets leading to a new soviet weapon and a first strike war plan threatening the foundations of american government for the u.s. time is running out for talbot the time is now show more

how to watch the harry potter movies in chronological order - Sep 03 2023

web oct 25 2023 fantastic beasts and where to find them fantastic beasts the crimes of grindelwald fantastic beasts the secrets of dumbledore harry potter and the chamber of secrets harry potter and the deathly

7 things you likely missed from harry potter and the chamber of secrets - Dec 26 2022

web oct 26 2023 burtland dixon 3 days ago

harry potter and the chamber of secrets open library - Mar 29 2023

web oct 19 2023 harry potter and the chamber of secrets by j.k. rowling open library preview borrow listen want to read 1 2 3 4 review notes more when you buy books using these links the internet archive may earn a small commission overview view 246 editions details 9 reviews lists related books last edited by amanda p613 october 19 2023

how to watch the harry potter movies in chronological order - Aug 02 2023

web oct 25 2023 harry potter and the deathly hallows part 2 is the final movie in the harry potter series chronologically set in 1998 this film is a continuation of part 1 starting right where the previous film left off

[harry potter and the chamber of secrets 2002 mobygames](#) - Apr 29 2023

web nov 22 2009 [harry potter and the chamber of secrets 2002 mobygames moby v2023 10 23](#) harry potter and the chamber of secrets

harry potter and the chamber of secrets revisited fanedit org - May 31 2023

web oct 9 2023 174 fanedit release date june 2015 fanedit running time 147 time cut 27 available in hd yes additional links join the forum discussion awards annual fanedit award winner fanedit information release information changes

harry potter film series wikipedia - Oct 04 2023

web oct 22 2023 main menu move to sidebarhide navigation main page contents current events random article about wikipedia contact us donate contribute help learn to edit community portal recent changes upload file languages language links are at the top of the page across from the title search search create account log in personal tools

harry potter and the chamber of secrets spectrum on demand - Feb 25 2023

web oct 16 2023 robbie coltrane as rubeus hagrid the young wizard and his best friends investigate a dark force that is terrorizing hogwarts

first time watching harry potter and the chamber of secrets - Jul 01 2023

web oct 25 2023 729 subscribers 4 views 6 minutes ago harrypotter hp more more reactbina forced to spend his summer holidays with his muggle relations harry potter daniel radcliffe gets a real shock

harry potter and the chamber of secrets flixpatrol - Jan 27 2023

web oct 28 2023 is harry potter and the chamber of secrets trending on netflix itunes google play amazon or disney right now top 10 popularity calendar preferences markets demographics services sign in