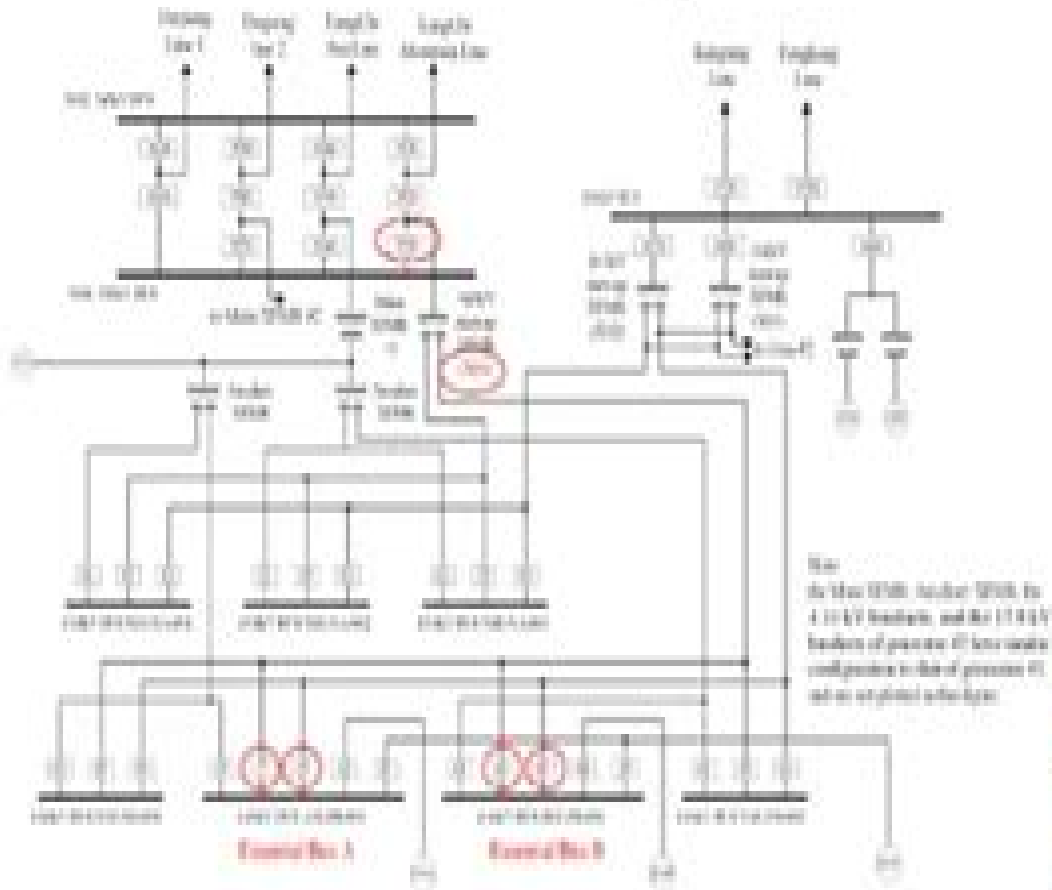


Power System Protection Systems



Basic connection diagram of protection relay



Electrical 4 U

Power Systems Protection Engineering Training Idc

**Institute of Electrical and Electronics
Engineers**



Power Systems Protection Engineering Training Idc:

Power Systems Protection, Power Quality , Practical Power System Protection Leslie Hewitson, Mark Brown, Ramesh Balakrishnan, 2005-02-28 Designed to increase understanding on a practical and theoretical basis this invaluable resource provides engineers plant operators electricians and technicians with a thorough grounding in the principles and practicalities behind power system protection Coverage of the fundamental knowledge needed to specify use and maintain power protection systems is included helping readers to increase plant efficiency performance and safety Consideration is also given to the practical techniques and engineering challenges encountered on a day to day basis making this an essential resource for all

Telecommunication Economics Antonis M. Hadjiantonis, Burkhard Stiller, 2012-04-27 This book constitutes a collaborative and selected documentation of the scientific outcome of the European COST Action IS0605 Econ Tel A Telecommunications Economics COST Network which run from October 2007 to October 2011 Involving experts from around 20 European countries the goal of Econ Tel was to develop a strategic research and training network among key people and organizations in order to enhance Europe s competence in the field of telecommunications economics Reflecting the organization of the COST Action IS0605 Econ Tel in working groups the following four major research areas are addressed evolution and regulation of communication ecosystems social and policy implications of communication technologies economics and governance of future networks future networks management architectures and mechanisms

Personal Computers and Digital Signal Processing , **Formulas and Conversions** , Communications, Industrial Networking and TCP/IP , 2012 **Practical Power Systems Protection for Engineers and Technicians** , 200? IEEE Industrial & Commercial Power Systems Technical Conference , 1984 *Electric Light and Power* , 1948 **The Journal of the Chartered Institution of Building Services** Chartered Institution of Building Services, 1983 *Building Services* , 1985-05 **ASHRAE Journal** , 1992 IEEE Conference Record of ... Industrial and Commercial Power Systems Technical Conference , 1984 UNDOC, Current Index , 1996 IEEE Membership Directory Institute of Electrical and Electronics Engineers, 2001 *Subject Guide to Microforms in Print* Albert James Diaz, 1977 **Scientific and Technical Organizations and Agencies Directory** Peter D. Dresser, 1994 **Thomas Register** , 2004 **Western Electrician** , 1894 The Engineer , 1916

Yeah, reviewing a ebook **Power Systems Protection Engineering Training Idc** could ensue your near links listings. This is just one of the solutions for you to be successful. As understood, achievement does not recommend that you have fantastic points.

Comprehending as skillfully as promise even more than further will pay for each success. next to, the broadcast as well as acuteness of this Power Systems Protection Engineering Training Idc can be taken as capably as picked to act.

https://py.bijouxmedusa.com/public/detail/default.aspx/Development_Trends_USA_69_2160_Blockchain_Development_Trends_USA_69_2177.pdf

Table of Contents Power Systems Protection Engineering Training Idc

1. Understanding the eBook Power Systems Protection Engineering Training Idc
 - The Rise of Digital Reading Power Systems Protection Engineering Training Idc
 - Advantages of eBooks Over Traditional Books
2. Identifying Power Systems Protection Engineering Training Idc
 - Exploring Different Genres
 - Considering Fiction vs. Non-Fiction
 - Determining Your Reading Goals
3. Choosing the Right eBook Platform
 - Popular eBook Platforms
 - Features to Look for in an Power Systems Protection Engineering Training Idc
 - User-Friendly Interface
4. Exploring eBook Recommendations from Power Systems Protection Engineering Training Idc
 - Personalized Recommendations
 - Power Systems Protection Engineering Training Idc User Reviews and Ratings
 - Power Systems Protection Engineering Training Idc and Bestseller Lists
5. Accessing Power Systems Protection Engineering Training Idc Free and Paid eBooks

- Power Systems Protection Engineering Training Idc Public Domain eBooks
 - Power Systems Protection Engineering Training Idc eBook Subscription Services
 - Power Systems Protection Engineering Training Idc Budget-Friendly Options
6. Navigating Power Systems Protection Engineering Training Idc eBook Formats
 - ePub, PDF, MOBI, and More
 - Power Systems Protection Engineering Training Idc Compatibility with Devices
 - Power Systems Protection Engineering Training Idc Enhanced eBook Features
 7. Enhancing Your Reading Experience
 - Adjustable Fonts and Text Sizes of Power Systems Protection Engineering Training Idc
 - Highlighting and Note-Taking Power Systems Protection Engineering Training Idc
 - Interactive Elements Power Systems Protection Engineering Training Idc
 8. Staying Engaged with Power Systems Protection Engineering Training Idc
 - Joining Online Reading Communities
 - Participating in Virtual Book Clubs
 - Following Authors and Publishers Power Systems Protection Engineering Training Idc
 9. Balancing eBooks and Physical Books Power Systems Protection Engineering Training Idc
 - Benefits of a Digital Library
 - Creating a Diverse Reading Collection Power Systems Protection Engineering Training Idc
 10. Overcoming Reading Challenges
 - Dealing with Digital Eye Strain
 - Minimizing Distractions
 - Managing Screen Time
 11. Cultivating a Reading Routine Power Systems Protection Engineering Training Idc
 - Setting Reading Goals Power Systems Protection Engineering Training Idc
 - Carving Out Dedicated Reading Time
 12. Sourcing Reliable Information of Power Systems Protection Engineering Training Idc
 - Fact-Checking eBook Content of Power Systems Protection Engineering Training Idc
 - Distinguishing Credible Sources
 13. Promoting Lifelong Learning
 - Utilizing eBooks for Skill Development

- Exploring Educational eBooks
14. Embracing eBook Trends
- Integration of Multimedia Elements
 - Interactive and Gamified eBooks

Power Systems Protection Engineering Training Idc Introduction

In this digital age, the convenience of accessing information at our fingertips has become a necessity. Whether its research papers, eBooks, or user manuals, PDF files have become the preferred format for sharing and reading documents. However, the cost associated with purchasing PDF files can sometimes be a barrier for many individuals and organizations. Thankfully, there are numerous websites and platforms that allow users to download free PDF files legally. In this article, we will explore some of the best platforms to download free PDFs. One of the most popular platforms to download free PDF files is Project Gutenberg. This online library offers over 60,000 free eBooks that are in the public domain. From classic literature to historical documents, Project Gutenberg provides a wide range of PDF files that can be downloaded and enjoyed on various devices. The website is user-friendly and allows users to search for specific titles or browse through different categories. Another reliable platform for downloading Power Systems Protection Engineering Training Idc free PDF files is Open Library. With its vast collection of over 1 million eBooks, Open Library has something for every reader. The website offers a seamless experience by providing options to borrow or download PDF files. Users simply need to create a free account to access this treasure trove of knowledge. Open Library also allows users to contribute by uploading and sharing their own PDF files, making it a collaborative platform for book enthusiasts. For those interested in academic resources, there are websites dedicated to providing free PDFs of research papers and scientific articles. One such website is Academia.edu, which allows researchers and scholars to share their work with a global audience. Users can download PDF files of research papers, theses, and dissertations covering a wide range of subjects. Academia.edu also provides a platform for discussions and networking within the academic community. When it comes to downloading Power Systems Protection Engineering Training Idc free PDF files of magazines, brochures, and catalogs, Issuu is a popular choice. This digital publishing platform hosts a vast collection of publications from around the world. Users can search for specific titles or explore various categories and genres. Issuu offers a seamless reading experience with its user-friendly interface and allows users to download PDF files for offline reading. Apart from dedicated platforms, search engines also play a crucial role in finding free PDF files. Google, for instance, has an advanced search feature that allows users to filter results by file type. By specifying the file type as "PDF," users can find websites that offer free PDF downloads on a specific topic. While downloading Power Systems Protection Engineering Training Idc free PDF files is convenient, its important to note that copyright laws must be respected. Always

ensure that the PDF files you download are legally available for free. Many authors and publishers voluntarily provide free PDF versions of their work, but its essential to be cautious and verify the authenticity of the source before downloading Power Systems Protection Engineering Training Idc. In conclusion, the internet offers numerous platforms and websites that allow users to download free PDF files legally. Whether its classic literature, research papers, or magazines, there is something for everyone. The platforms mentioned in this article, such as Project Gutenberg, Open Library, Academia.edu, and Issuu, provide access to a vast collection of PDF files. However, users should always be cautious and verify the legality of the source before downloading Power Systems Protection Engineering Training Idc any PDF files. With these platforms, the world of PDF downloads is just a click away.

FAQs About Power Systems Protection Engineering Training Idc Books

How do I know which eBook platform is the best for me? Finding the best eBook platform depends on your reading preferences and device compatibility. Research different platforms, read user reviews, and explore their features before making a choice. Are free eBooks of good quality? Yes, many reputable platforms offer high-quality free eBooks, including classics and public domain works. However, make sure to verify the source to ensure the eBook credibility. Can I read eBooks without an eReader? Absolutely! Most eBook platforms offer webbased readers or mobile apps that allow you to read eBooks on your computer, tablet, or smartphone. How do I avoid digital eye strain while reading eBooks? To prevent digital eye strain, take regular breaks, adjust the font size and background color, and ensure proper lighting while reading eBooks. What the advantage of interactive eBooks? Interactive eBooks incorporate multimedia elements, quizzes, and activities, enhancing the reader engagement and providing a more immersive learning experience. Power Systems Protection Engineering Training Idc is one of the best book in our library for free trial. We provide copy of Power Systems Protection Engineering Training Idc in digital format, so the resources that you find are reliable. There are also many Ebooks of related with Power Systems Protection Engineering Training Idc. Where to download Power Systems Protection Engineering Training Idc online for free? Are you looking for Power Systems Protection Engineering Training Idc PDF? This is definitely going to save you time and cash in something you should think about. If you trying to find then search around for online. Without a doubt there are numerous these available and many of them have the freedom. However without doubt you receive whatever you purchase. An alternate way to get ideas is always to check another Power Systems Protection Engineering Training Idc. This method for see exactly what may be included and adopt these ideas to your book. This site will almost certainly help you save time and effort, money and stress. If you are looking for free books then you really should consider finding to assist you try this. Several of Power Systems Protection Engineering Training Idc are for sale to free while some

are payable. If you arent sure if the books you would like to download works with for usage along with your computer, it is possible to download free trials. The free guides make it easy for someone to free access online library for download books to your device. You can get free download on free trial for lots of books categories. Our library is the biggest of these that have literally hundreds of thousands of different products categories represented. You will also see that there are specific sites catered to different product types or categories, brands or niches related with Power Systems Protection Engineering Training Idc. So depending on what exactly you are searching, you will be able to choose e books to suit your own need. Need to access completely for Campbell Biology Seventh Edition book? Access Ebook without any digging. And by having access to our ebook online or by storing it on your computer, you have convenient answers with Power Systems Protection Engineering Training Idc To get started finding Power Systems Protection Engineering Training Idc, you are right to find our website which has a comprehensive collection of books online. Our library is the biggest of these that have literally hundreds of thousands of different products represented. You will also see that there are specific sites catered to different categories or niches related with Power Systems Protection Engineering Training Idc So depending on what exactly you are searching, you will be able to choose ebook to suit your own need. Thank you for reading Power Systems Protection Engineering Training Idc. Maybe you have knowledge that, people have search numerous times for their favorite readings like this Power Systems Protection Engineering Training Idc, but end up in harmful downloads. Rather than reading a good book with a cup of coffee in the afternoon, instead they juggled with some harmful bugs inside their laptop. Power Systems Protection Engineering Training Idc is available in our book collection an online access to it is set as public so you can download it instantly. Our digital library spans in multiple locations, allowing you to get the most less latency time to download any of our books like this one. Merely said, Power Systems Protection Engineering Training Idc is universally compatible with any devices to read.

Find Power Systems Protection Engineering Training Idc :

development trends USA 69-2160 blockchain development trends USA 69-2177

resume writing ideas America 69-2352 resume writing ideas USA 69-2656

dropshipping business trends USA 69-673 dropshipping business trends

monetization ideas for small business 69-1280 blog monetization ideas

69-1387 crypto investing trends for entrepreneurs 69-2411 crypto

review for startups 69-1091 YouTube growth roadmap for entrepreneurs

69-895 retirement planning trends for small business 69-351 retirement

beginners for entrepreneurs 69-1931 cybersecurity guide America 69-662

growth tools for small business 69-2765 career growth tools for small

[69-811 sustainable living roadmap USA](#) [69-910 sustainable living roadmap](#)
69-2665 online business software America **69-1482 online business**
explained for startups *69-87 career growth for beginners for*
[69-1793 content marketing comparison for small business](#) [69-121 content](#)
[69-2768 crypto trading comparison for entrepreneurs](#) [69-559 crypto](#)
learning basics step by step for small business *69-2798 machine learning*

Power Systems Protection Engineering Training Idc :

New York, New York!: The Big Apple from A to Z From bestselling duo Laura Krauss Melmed and Frané Lessac comes an alphabetical picture book tour of one of the greatest cities in the world, New York! New York, New York!-The Big Apple from A to Z From bestselling duo Laura Krauss Melmed and Frané Lessac comes an alphabetical picture book tour of one of the greatest cities in the world, New York! New York, New York: The Big Apple from A to Z - YouTube New York, New York!: The Big Apple from A to Z The book includes an abundance of brightly colored, folk-art-style illustrations, and an excellent map locates each place mentioned. This book is certain to be ... New York, New York!: The Big Apple from A to Z - Hardcover From bestselling duo Laura Krauss Melmed and Frané Lessac comes an alphabetical picture book tour of one of the greatest cities in the world, New York! New York, New York!: The Big Apple from A to Z From bestselling duo Laura Krauss Melmed and Frané Lessac comes an alphabetical picture book tour of one of the greatest cities in the world, New York! The Big Apple from A to Z by Laura Krauss Melmed Synopsis: From bestselling duo Laura Krauss Melmed and Frané Lessac comes an alphabetical picture book tour of one of the greatest cities in the world, New York ... New York, New York!: The Big Apple from A to Z This book takes you on an alphabetical tour of New York City/the Big Apple. It is a whimsical guide to some of the city's most famous and historical attractions ... New York New York: The Big Apple from A to Z This city has something to offer everyone, from A to Z. Come visit the American Museum of Natural History and see prehistoric Animals, get a Bird's-eye view of ... New York, New York! The Big Apple from A to Z Annotation: An alphabetical picture book tour of New York City from the team that brought us Capital! Washington D.C. from A to Z. Vector Calculus Tp and Solutions Manual by Jerrold E. ... Vector Calculus Tp and Solutions Manual by Jerrold E. Marsden (10-Feb-2012) Paperback [unknown author] on Amazon.com. *FREE* shipping on qualifying offers. Vector Calculus Tp and Solutions Manual by University ... Vector Calculus Tp and Solutions Manual by University Jerrold E Marsden (2012-02-10) · Buy New. \$155.78\$155.78. \$3.99 delivery: Dec 26 - 29. Ships from: ... Vector Calculus Solution Manual Get instant access to our step-by-step Vector Calculus solutions manual. Our solution manuals are written by Chegg experts so you can be assured of the ... colley-vector-calculus-4th-edition-solutions-math-10a.pdf Page 1. INSTRUCTOR SOLUTIONS MANUAL. Page 2. Boston Columbus Indianapolis New ... 10th

birthday: $w = 33$ kg, $h = 140$ cm, $dw dt. = 0.4$, $dh dt. = 0.6$. So $d(BMI) dt.$ Vector Calculus 6th Edition PDF Here : [r/ucr](#)
Vector Calculus 6th Edition PDF Here. For those who keep asking me, here you go: [https ...](https://www.stuvia.com/doc/1000000/marsden-vector-calculus-6th-edition-solutions) Solutions to Vector Calculus 6e
by J. E. Marsden These are my solutions to the sixth edition of Vector Calculus by J. E. Marsden. Vector Calculus - 6th Edition
- Solutions and Answers Find step-by-step solutions and answers to Vector Calculus - 9781429215084, as well as thousands
of textbooks so you can move forward with confidence. Marsden, J., and Tromba, A., WH Textbook: Vector Calculus, 6th
Edition, Marsden, J., and Tromba, A., W.H. ... However, you must write up the solutions to the homework problems
individually and ... Marsden - Vector Calculus, 6th Ed, Solutions PDF Marsden - Vector Calculus, 6th ed, Solutions.pdf - Free
ebook download as PDF File (.pdf), Text File (.txt) or read book online for free. Marsden - Vector Calculus, 6th ed,
Solutions.pdf Marsden - Vector Calculus, 6th ed, Solutions.pdf · Author / Uploaded · Daniel Felipe García Alvarado ...
Management: Griffin, Ricky W. - Books - Amazon Gain a solid understanding of management and the power of innovation in
the workplace with Griffin's MANAGEMENT, 11E. This dynamic book, known for its ... Management-by-Ricky-W.-Griffin.pdf
Cengage Learning's CourseMate helps you make the most of your study time by accessing everything you need to succeed in
one place. • An Interactive eBook with. Management - Ricky W. Griffin Feb 16, 2012 — This latest edition builds on proven
success to help your students strengthen their management skills with an effective balance of theory and ... Management
11th Edition Principals and Practices Ricky ... Management 11th Edition Principals and Practices Ricky Griffin College
Textbook - Picture 1 of 2 · Management 11th Edition Principals and Practices Ricky Griffin ... Management 11th edition
(9781111969714) This book's reader-friendly approach examines today's emerging management topics, from the impact of
technology and importance of a green business environment ... Management: Principles and Practices - Ricky W. Griffin Gain
a solid understanding of management and the power of innovation in the workplace with Griffin's MANAGEMENT:
PRINCIPLES AND PRACTICES, 11E, ... Ricky W. GRIFFIN ... Griffin/Moorhead's Organizational Behavior: Managing People
and Organizations, 11th. ISBN 9781133587781 (978-1-133-58778-1) Cengage Learning, 2014. Find This ... Management
Principles Practices by Ricky Griffin MANAGEMENT: PRINCIPLES AND PRACTICES, INTERNATIONAL EDITION, 10TH:
Ricky W. ... ISBN 13: 9780538467773. Seller: Follow Books FARMINGTON HILLS, MI, U.S.A.. Seller ... Ricky W Griffin | Get
Textbooks Organizational Behavior(11th Edition) Managing People and Organizations by Ricky W. Griffin, Gregory Moorhead
Hardcover, 624 Pages, Published 2013 by ... Books by Ricky Griffin Management(11th Edition) (MindTap Course List) by
Ricky W. Griffin Hardcover, 720 Pages, Published 2012 by Cengage Learning ISBN-13: 978-1-111-96971-4, ISBN ...