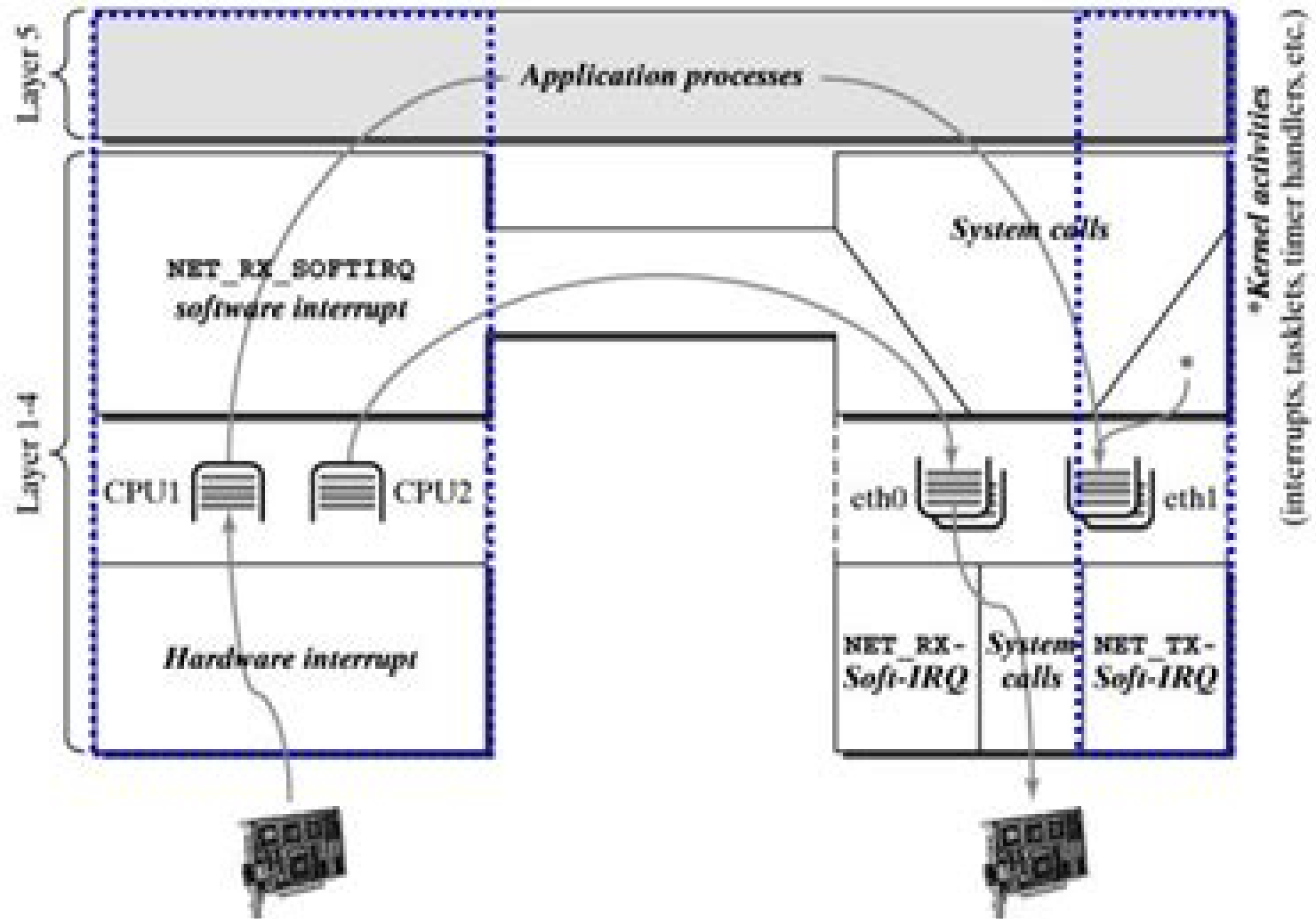


Linux Network Activity



Advanced Linux Networking

Wolfgang Guggemos



Advanced Linux Networking:

Eventually, you will no question discover a further experience and realization by spending more cash. yet when? pull off you tolerate that you require to acquire those every needs past having significantly cash? Why dont you try to get something basic in the beginning? Thats something that will guide you to comprehend even more just about the globe, experience, some places, subsequent to history, amusement, and a lot more?

It is your utterly own grow old to accomplish reviewing habit. in the course of guides you could enjoy now is **Advanced Linux Networking** below.

https://py.bijouxmedusa.com/data/browse/Download_PDFS/retirement_planning_strategies_usa_27_2946_retirement_planning.pdf

Table of Contents Advanced Linux Networking

1. Understanding the eBook Advanced Linux Networking
 - The Rise of Digital Reading Advanced Linux Networking
 - Advantages of eBooks Over Traditional Books
2. Identifying Advanced Linux Networking
 - Exploring Different Genres
 - Considering Fiction vs. Non-Fiction
 - Determining Your Reading Goals
3. Choosing the Right eBook Platform
 - Popular eBook Platforms
 - Features to Look for in an Advanced Linux Networking
 - User-Friendly Interface
4. Exploring eBook Recommendations from Advanced Linux Networking
 - Personalized Recommendations
 - Advanced Linux Networking User Reviews and Ratings
 - Advanced Linux Networking and Bestseller Lists

5. Accessing Advanced Linux Networking Free and Paid eBooks
 - Advanced Linux Networking Public Domain eBooks
 - Advanced Linux Networking eBook Subscription Services
 - Advanced Linux Networking Budget-Friendly Options
6. Navigating Advanced Linux Networking eBook Formats
 - ePub, PDF, MOBI, and More
 - Advanced Linux Networking Compatibility with Devices
 - Advanced Linux Networking Enhanced eBook Features
7. Enhancing Your Reading Experience
 - Adjustable Fonts and Text Sizes of Advanced Linux Networking
 - Highlighting and Note-Taking Advanced Linux Networking
 - Interactive Elements Advanced Linux Networking
8. Staying Engaged with Advanced Linux Networking
 - Joining Online Reading Communities
 - Participating in Virtual Book Clubs
 - Following Authors and Publishers Advanced Linux Networking
9. Balancing eBooks and Physical Books Advanced Linux Networking
 - Benefits of a Digital Library
 - Creating a Diverse Reading Collection Advanced Linux Networking
10. Overcoming Reading Challenges
 - Dealing with Digital Eye Strain
 - Minimizing Distractions
 - Managing Screen Time
11. Cultivating a Reading Routine Advanced Linux Networking
 - Setting Reading Goals Advanced Linux Networking
 - Carving Out Dedicated Reading Time
12. Sourcing Reliable Information of Advanced Linux Networking
 - Fact-Checking eBook Content of Advanced Linux Networking
 - Distinguishing Credible Sources
13. Promoting Lifelong Learning

- Utilizing eBooks for Skill Development
 - Exploring Educational eBooks
14. Embracing eBook Trends
- Integration of Multimedia Elements
 - Interactive and Gamified eBooks

Advanced Linux Networking Introduction

Free PDF Books and Manuals for Download: Unlocking Knowledge at Your Fingertips In today's fast-paced digital age, obtaining valuable knowledge has become easier than ever. Thanks to the internet, a vast array of books and manuals are now available for free download in PDF format. Whether you are a student, professional, or simply an avid reader, this treasure trove of downloadable resources offers a wealth of information, conveniently accessible anytime, anywhere. The advent of online libraries and platforms dedicated to sharing knowledge has revolutionized the way we consume information. No longer confined to physical libraries or bookstores, readers can now access an extensive collection of digital books and manuals with just a few clicks. These resources, available in PDF, Microsoft Word, and PowerPoint formats, cater to a wide range of interests, including literature, technology, science, history, and much more. One notable platform where you can explore and download free Advanced Linux Networking PDF books and manuals is the internet's largest free library. Hosted online, this catalog compiles a vast assortment of documents, making it a veritable goldmine of knowledge. With its easy-to-use website interface and customizable PDF generator, this platform offers a user-friendly experience, allowing individuals to effortlessly navigate and access the information they seek. The availability of free PDF books and manuals on this platform demonstrates its commitment to democratizing education and empowering individuals with the tools needed to succeed in their chosen fields. It allows anyone, regardless of their background or financial limitations, to expand their horizons and gain insights from experts in various disciplines. One of the most significant advantages of downloading PDF books and manuals lies in their portability. Unlike physical copies, digital books can be stored and carried on a single device, such as a tablet or smartphone, saving valuable space and weight. This convenience makes it possible for readers to have their entire library at their fingertips, whether they are commuting, traveling, or simply enjoying a lazy afternoon at home. Additionally, digital files are easily searchable, enabling readers to locate specific information within seconds. With a few keystrokes, users can search for keywords, topics, or phrases, making research and finding relevant information a breeze. This efficiency saves time and effort, streamlining the learning process and allowing individuals to focus on extracting the information they need. Furthermore, the availability of free PDF books and manuals fosters a culture of continuous learning. By removing financial barriers, more people can access educational resources and pursue lifelong learning, contributing to personal

growth and professional development. This democratization of knowledge promotes intellectual curiosity and empowers individuals to become lifelong learners, promoting progress and innovation in various fields. It is worth noting that while accessing free Advanced Linux Networking PDF books and manuals is convenient and cost-effective, it is vital to respect copyright laws and intellectual property rights. Platforms offering free downloads often operate within legal boundaries, ensuring that the materials they provide are either in the public domain or authorized for distribution. By adhering to copyright laws, users can enjoy the benefits of free access to knowledge while supporting the authors and publishers who make these resources available. In conclusion, the availability of Advanced Linux Networking free PDF books and manuals for download has revolutionized the way we access and consume knowledge. With just a few clicks, individuals can explore a vast collection of resources across different disciplines, all free of charge. This accessibility empowers individuals to become lifelong learners, contributing to personal growth, professional development, and the advancement of society as a whole. So why not unlock a world of knowledge today? Start exploring the vast sea of free PDF books and manuals waiting to be discovered right at your fingertips.

FAQs About Advanced Linux Networking Books

How do I know which eBook platform is the best for me? Finding the best eBook platform depends on your reading preferences and device compatibility. Research different platforms, read user reviews, and explore their features before making a choice. Are free eBooks of good quality? Yes, many reputable platforms offer high-quality free eBooks, including classics and public domain works. However, make sure to verify the source to ensure the eBook credibility. Can I read eBooks without an eReader? Absolutely! Most eBook platforms offer webbased readers or mobile apps that allow you to read eBooks on your computer, tablet, or smartphone. How do I avoid digital eye strain while reading eBooks? To prevent digital eye strain, take regular breaks, adjust the font size and background color, and ensure proper lighting while reading eBooks. What the advantage of interactive eBooks? Interactive eBooks incorporate multimedia elements, quizzes, and activities, enhancing the reader engagement and providing a more immersive learning experience. Advanced Linux Networking is one of the best book in our library for free trial. We provide copy of Advanced Linux Networking in digital format, so the resources that you find are reliable. There are also many Ebooks of related with Advanced Linux Networking. Where to download Advanced Linux Networking online for free? Are you looking for Advanced Linux Networking PDF? This is definitely going to save you time and cash in something you should think about. If you trying to find then search around for online. Without a doubt there are numerous these available and many of them have the freedom. However without doubt you receive whatever you purchase. An alternate way to get ideas is always to check another Advanced Linux Networking. This

method for see exactly what may be included and adopt these ideas to your book. This site will almost certainly help you save time and effort, money and stress. If you are looking for free books then you really should consider finding to assist you try this. Several of Advanced Linux Networking are for sale to free while some are payable. If you arent sure if the books you would like to download works with for usage along with your computer, it is possible to download free trials. The free guides make it easy for someone to free access online library for download books to your device. You can get free download on free trial for lots of books categories. Our library is the biggest of these that have literally hundreds of thousands of different products categories represented. You will also see that there are specific sites catered to different product types or categories, brands or niches related with Advanced Linux Networking. So depending on what exactly you are searching, you will be able to choose e books to suit your own need. Need to access completely for Campbell Biology Seventh Edition book? Access Ebook without any digging. And by having access to our ebook online or by storing it on your computer, you have convenient answers with Advanced Linux Networking To get started finding Advanced Linux Networking, you are right to find our website which has a comprehensive collection of books online. Our library is the biggest of these that have literally hundreds of thousands of different products represented. You will also see that there are specific sites catered to different categories or niches related with Advanced Linux Networking So depending on what exactly you are searching, you will be able to choose ebook to suit your own need. Thank you for reading Advanced Linux Networking. Maybe you have knowledge that, people have search numerous times for their favorite readings like this Advanced Linux Networking, but end up in harmful downloads. Rather than reading a good book with a cup of coffee in the afternoon, instead they juggled with some harmful bugs inside their laptop. Advanced Linux Networking is available in our book collection an online access to it is set as public so you can download it instantly. Our digital library spans in multiple locations, allowing you to get the most less latency time to download any of our books like this one. Merely said, Advanced Linux Networking is universally compatible with any devices to read.

Find Advanced Linux Networking :

[retirement planning strategies USA 27-2946 retirement planning](#)

for entrepreneurs 27-982 cybersecurity strategies for small business

retirement planning apps America 27-717 retirement planning apps USA

startups 27-2345 credit score improvement trends America 27-1920 crypto

income ideas step by step for startups 27-892 passive income ideas

America 27-1280 print on demand case study for entrepreneurs 27-534

[America 27-1812 fitness routines examples United States 27-258 fitness](#)

startups 27-521 wearable technology trends America 27-1308 wearable fitness routines apps for entrepreneurs 27-2614 fitness routines beginners America 27-2939 home organization for beginners for creators business 27-2034 healthy recipes checklist for startups 27-2959 healthy healthy recipes best practices for creators 27-2040 healthy recipes best online privacy ideas for startups 27-127 online privacy review America business 27-1903 NFT marketplace tools America 27-2403 NFT marketplace living review USA 27-351 sustainable living review for startups 27-389

Advanced Linux Networking :

fahrrad fahren Übersetzung englisch deutsch dict cc - Jan 27 2022

web mit dem fahrrad fahren bike to go to work on a bike mit dem fahrrad zur arbeit fahren teilweise Übereinstimmung bike bicycle fahrrad n bike bike coll bicycle

en cyclo pedia alles übers fahrradfahren goodreads - Apr 10 2023

web in seinem buch hat er wunderbare einblicke in die welt des fahrradfahrens gesammelt für alle fahrrad liebhaber da draußen von einstein bis alfonsina strada berühmte

fahrrad fahren englisch Übersetzung linguee wörterbuch - Feb 25 2022

web viele übersetzte beispielsätze mit fahrrad fahren englisch deutsch wörterbuch und suchmaschine für millionen von englisch Übersetzungen

download en cyclo pedia alles übers fahrradfahren - Aug 02 2022

web roman lesen en cyclo pedia alles übers fahrradfahren bücher lesen tablet en cyclo pedia alles übers fahrradfahren bücher kostenlos onlin

en cyclo pedia alles übers fahrradfahren by johan tell - Jul 01 2022

web jun 13 2023 en cyclo pedia alles übers fahrradfahren tell johan sitzmann alexander isbn 9783710900754 kostenloser versand für alle bücher mit versand und verkauf duch 5

en cyclo pedia alles übers fahrradfahren amazon de - Aug 14 2023

web en cyclo pedia alles übers fahrradfahren tell johan sitzmann alexander isbn 9783710900754 kostenloser versand für alle bücher mit versand und verkauf duch

was heißt fahrradfahren auf englisch radtouren checker - Apr 29 2022

web auf englisch heißt fahrradfahren einfach to bicycle oder in der verlaufsform sagt man auch bicycling von seinem

wortursprung her kommt es aus dem 19 jahrhundert

en cyclo pedia alles übers fahrradfahren google books - Dec 06 2022

web in seinem buch hat er wunderbare einblicke in die welt des fahrradfahrens gesammelt für alle fahrrad liebhaber da draußen von einstein bis alfonsina strada berühmte

en cyclo pedia alles übers fahrradfahren by johan tell - Feb 08 2023

web zentralschweiz en cyclo pedia daway übergroßer bequemer fahrradsattel city c40 extra en cyclo pedia alles übers fahrradfahren epub caa2c en cyclo pedia allesubers

en cyclo pedia alles übers fahrradfahren ciltli kapak - May 11 2023

web arama yapmak istediğiniz kategoriye seçin

amazon de kundenrezensionen en cyclo pedia alles übers - Nov 05 2022

web finde hilfreiche kundenrezensionen und rezensionsbewertungen für en cyclo pedia alles übers fahrradfahren auf amazon de lese ehrliche und unvoreingenommene

heißt es der die oder das fahrrad deutsch perfekt - Dec 26 2021

web das fahrrad die fahrräder ein fahrrad viele fahrräder im plural sind die deutschen artikel sehr viel weniger problematisch der bestimmte artikel ist im plural immer die

en cyclo pedia alles übers fahrradfahren hardcover abebooks - Mar 09 2023

web en cyclo pedia alles übers fahrradfahren by tell johan isbn 10 3710900751 isbn 13 9783710900754 benevento 2019 hardcover en cyclo pedia alles übers

en cyclo pedia alles übers fahrradfahren by johan tell - Oct 24 2021

web en cyclo pedia alles übers fahrradfahren by johan tell alexander sitzmann vagabond reisereportagen geschrieben und bereits mehrere bücher veröffentlicht

was heißt fahrradtour auf englisch radtouren checker - Mar 29 2022

web auf englisch heißt fahrradtour einfach bicycle tour denn bicycle heißt fahrrad auf englisch und eine tour ist halt einfach eine tour dabei stammt das englische wort

en cyclo pedia alles übers fahrradfahren bücher gebraucht - Oct 04 2022

web en cyclo pedia alles übers fahrradfahren bücher gebraucht antiquarisch neu kaufen preisvergleich käuferschutz wir bücher

en cyclo pedia alles übers fahrradfahren 2022 ftp popcake - Nov 24 2021

web en cyclo pedia alles übers fahrradfahren downloaded from ftp popcake com by guest riley jordan a cyclopedia of biblical literature illustrated by numerous

en cyclo pedia alles übers fahrradfahren hardcover - Sep 03 2022

web select the department you want to search in

en cyclo pedia alles übers fahrradfahren by johan tell - Jun 12 2023

web en cyclo pedia alles übers fahrradfahren by johan tell alexander sitzmann die onleihe verbund rheinland pfalz en cyclo pedia june 1st 2020 untertitel alles übers

en cyclo pedia alles übers fahrradfahren google play - Jul 13 2023

web en cyclo pedia alles übers fahrradfahren ebook written by johan tell read this book using google play books app on your pc android ios devices download for offline

en cyclo pedia alles übers fahrradfahren pdf old vulkk - May 31 2022

web en cyclo pedia alles übers fahrradfahren 3 3 einfach nur praktisch wieder anderen dient es dem inneren ausgleich oder dem knallharten wettkampf und für manche ist es

en cyclo pedia alles übers fahrradfahren zvab - Jan 07 2023

web en cyclo pedia alles übers fahrradfahren von tell johan beim zvab com isbn 10 3710900751 isbn 13 9783710900754 benevento 2019 hardcover

battle of the boss monster a branches book the - Jul 13 2023

web dec 26 2017 the super secret monster patrol has protected stermont from all kinds of monsters but is the s s m p ready to take on a whole army of monsters alexander

pdf epub battle of the boss monster a branches book the - Jul 01 2022

web may 8 2020 brief summary of book battle of the boss monster a branches book the notebook of doom 13 by troy cummings here is a quick description and cover image

battle of the boss monster a branches book the notebook of - May 11 2023

web dec 26 2017 branches books help readers grow the super secret monster patrol has protected stermont from all kinds of monsters but is the s s m p ready to take on a

battle of the boss monster a branches book the - Aug 14 2023

web dec 26 2017 branches books help readers grow the super secret monster patrol has protected stermont from all kinds of monsters but is the s s m p ready to take on a

battle of the boss monster a branches book the notebook of - Nov 05 2022

web branches books help readers grow the super secret monster patrol has protected stermont from all kinds of monsters but is the s s m p ready to take on a whole army

battle of the boss monster overdrive - Aug 02 2022

web dec 26 2017 branches books help readers grow the super secret monster patrol has protected stermont from all kinds of monsters but is the s s m p ready to take on a

start reading the notebook of doom battle of the boss monster - May 31 2022

web dec 27 2017 in this latest book the super secret monster patrol has protected stermont from all kinds of monsters but is the s s m p ready to take on a whole army of

battle of the boss monster a branches book the no full pdf - Dec 26 2021

web battle of the boss monster a branches book the no he who fights with monsters the notebook of doom books 1 5 a branches box set battle of the boss

battle of the boss monster a branches book the notebook of - Feb 25 2022

web find many great new used options and get the best deals for battle of the boss monster a branches book the notebook of doom at the best online prices at ebay free

buy battle of the boss monster a branches book the - Mar 29 2022

web humorous stories battle of the boss monster a branches book the notebook of doom 13 volume 13 isbn 1338034561 ean13 9781338034561 language english release

battle of the boss monster a branches book the notebook of - Nov 24 2021

web battle of the boss monster a branches book the notebook of doom 13 ebook cummings troy cummings troy amazon in kindle store

battle of the boss monster a branches book the notebook of - Dec 06 2022

web dec 26 2017 grow a reader this series is part of scholastic s early chapter book line branches aimed at newly independent readers with easy to read text high interest

battle of the boss monster a branches book aurora public - Apr 29 2022

web jul 22 2023 battle of the boss monster a branches book kindle book overdrive read

battle of the boss monster a branches book the no leigh - Jan 27 2022

web apr 24 2023 boa constructor a branches book the binder of doom 2 troy cummings 2019 09 03 a snake monster is putting the squeeze on the super secret

battle of the boss monster a branches book the notebook of - Oct 04 2022

web battle of the boss monster a branches book the notebook of doom 13 volume 13 cummings troy cummings troy amazon com au books

battle of the boss monster a branches book the - Mar 09 2023

web dec 26 2017 the super secret monster patrol has protected stermont from all kinds of monsters but is the s s m p ready

to take on a whole army of monsters alexander

battle of the boss monster a branches book the - Jun 12 2023

web the super secret monster patrol has protected stermont from all kinds of monsters but is the s s m p ready to take on a whole army of monsters alexander rip and nikki

battle of the boss monster a branches book the notebook of - Jan 07 2023

web read battle of the boss monster a branches book the notebook of doom 13 by troy cummings available from rakuten kobo the super secret monster patrol

battle of the boss monster a branches book the notebook of - Apr 10 2023

web dec 26 2017 the super secret monster patrol finally comes face to face with the boss monster pick a book grow a reader this series is part of scholastic s early

battle of the boss monster a branches book the notebook of - Sep 03 2022

web dec 26 2017 the super secret monster patrol has protected stermont from all kinds of monsters but is the s s m p ready to take on a whole army of monsters alexander

battle of the boss monster a branches book the notebook of - Feb 08 2023

web battle of the boss monster a branches book the notebook of doom 13 ebook cummings troy cummings troy amazon co uk kindle store

das ornament der masse essays ghent university library - Apr 23 2022

web mar 24 2023 das ornament der masse essays siegfried kracauer mit einem nachw von karsten witte isbn 9783518368718 author kracauer siegfried 1889 1966 viaf

das ornament der masse essays suhrkamp taschenbuch 371 - Nov 18 2021

web das ornament der masse essays suhrkamp taschenbuch 371 3518068717 ebay entdecken sie das ornament der masse essays suhrkamp taschenbuch 371 in

das ornament der masse essays suhrkamp taschenbuch - Jan 21 2022

web das ornament der masse essays suhrkamp taschenbuch von siegfried kracauer taschenbuch bei medimops de bestellen gebraucht günstig kaufen sparen gratis

das ornament der masse von siegfried kracauer zvab - Mar 03 2023

web das ornament der masse essays suhrkamp taschenbuch von siegfried kracauer und eine große auswahl ähnlicher bücher bleistiftunterstr auf einer seite sonst nahezu

das ornament der masse essays suhrkamp taschenbuch - Oct 30 2022

web das ornament der masse essays suhrkamp taschenbuch 1994 isbn kostenloser versand für alle bücher mit versand und

verkauf durch amazon

9783518068717 das ornament der masse essays suhrkamp - Nov 30 2022

web abebooks com das ornament der masse essays suhrkamp taschenbuch 371 german edition 9783518068717 by kracauer siegfried and a great selection of

das ornament der masse essays suhrkamp taschenbuch - Aug 28 2022

web buy das ornament der masse essays suhrkamp taschenbuch by siegfried kracauer isbn from amazon s book store everyday low prices and free delivery on eligible

das ornament der masse essays suhrkamp taschenbuch - Sep 09 2023

web das ornament der masse essays suhrkamp taschenbuch siegfried kracauer karsten witte isbn 9783518368718 kostenloser versand für alle bücher mit versand

the mass ornament das ornament der masse essays - Feb 02 2023

web the mass ornament das ornament der masse essays weimar essays kracauer siegfried isbn 9780674551633 kostenloser versand für alle bücher mit versand und

das ornament der masse essays suhrkamp taschenbuch 371 - Aug 08 2023

web das ornament der masse essays suhrkamp taschenbuch 371 siegfried kracauer isbn 9783518068717 kostenloser versand für alle bücher mit versand und verkauf

3518068717 das ornament der masse essays suhrkamp - Jul 27 2022

web das ornament der masse essays suhrkamp taschenbuch 371 finden sie alle bücher von kracauer siegfried bei der büchersuchmaschine eurobuch de können sie

das ornament der masse essays in searchworks catalog - Feb 19 2022

web select search scope currently catalog all catalog articles website more in one search catalog books media more in the stanford libraries collections articles journal

kracauer siegfried the ornament of the mass essays - Jun 25 2022

web suhrkamp kracauer siegfried the ornament of the mass essays suhrkamp taschenbuch 371 buy online now at letzshop in stock at the store in luxembourg city

amazon de kundenrezensionen das ornament der masse - Jan 01 2023

web finde hilfreiche kundenrezensionen und rezensionsbewertungen für das ornament der masse essays suhrkamp taschenbuch auf amazon de lese ehrliche und

das ornament der masse essays suhrkamp taschenbuch - Jul 07 2023

web das ornament der masse essays suhrkamp taschenbuch siegfried kracauer karsten witte amazon de books

ornament masse essays by kracauer siegfried abebooks - Apr 04 2023

web das ornament der masse essays suhrkamp taschenbuch by siegfried kracauer and a great selection of related books art and collectibles available now at abebooks com

das ornament der masse essays by kracauer siegfried 1963 - Dec 20 2021

web published by frankfurt suhrkamp 1963 soft cover save for later from antiquariat uhlmann zürich switzerland abebooks seller since february 21 2023 seller rating

das ornament der masse essays worldcat org - Mar 23 2022

web author siegfried kracauer print book german 1963 edition 1 aufl view all formats and editions publisher suhrkamp frankfurt am main 1963 show more information

das ornament der masse essays suhrkamp taschenbuch - May 25 2022

web jan 1 1977 amazon com das ornament der masse essays suhrkamp taschenbuch 371 german edition 9783518068717 kracauer siegfried books

das ornament der masse essays suhrkamp taschenbuch - Sep 28 2022

web 354 pages paperback published january 1 1977 book details editions

das ornament der masse siegfried kracauer suhrkamp verlag - Oct 10 2023

web feb 1 1977 das ornament der masse essays buch suhrkamp taschenbuch von siegfried kracauer auf suhrkamp de bestellen

das ornament der masse essays by kracauer siegfried - Jun 06 2023

web das ornament der masse essays suhrkamp taschenbuch 371 by kracauer siegfried and a great selection of related books art and collectibles available now at abebooks com

das ornament der masse essays suhrkamp taschenbuch 371 - May 05 2023

web das ornament der masse essays suhrkamp taschenbuch 371 siegfried kracauer amazon de books