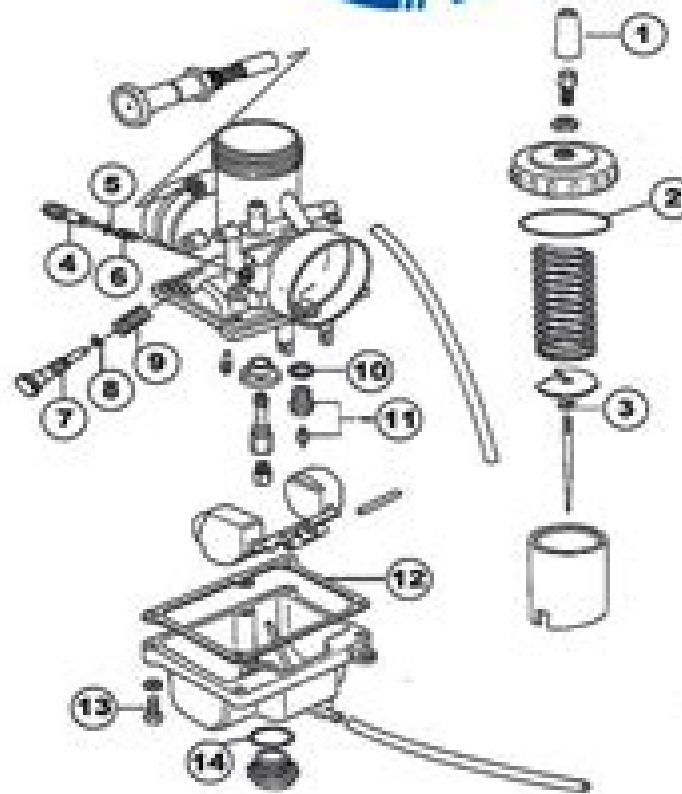


ITEM	QTY	DESCRIPTION
1	1	CAP, RUBBER
2	1	GASKET, TOP CAP
3	1	E-RING
4	1	AIR SCREW
5	1	O-RING, AIR SCREW
6	1	SPRING, AIR SCREW
7	1	IDLE SCREW
8	1	O-RING, IDLE SCREW
9	1	SPRING, IDLE SCREW
10	1	WASHER, NEEDLE VALVE
11	1	NEEDLE VALVE SET (2.5)
12	1	FLOAT BOWL GASKET
13	1	SCREW, FLOAT BOWL
14	4	O-RING, DRAIN PLUG

MK-606

Mikuni Application
VM20-606



MIKUNI AMERICAN CORPORATION

www.mikunipower.com

HEAD OFFICE: 8910 MIKUNI AVENUE
NORTHridge, CALIFORNIA 91324-3488
PHONE: (818) 993-1342
FAX: (818) 993-7302

Carburetor Troubleshooting Guide Motorcycle Performance

Léo Pomar



Carburetor Troubleshooting Guide Motorcycle Performance:

Uncover the mysteries within Crafted by is enigmatic creation, Embark on a Mystery with **Carburetor Troubleshooting Guide Motorcycle Performance** . This downloadable ebook, shrouded in suspense, is available in a PDF format (Download in PDF: *). Dive into a world of uncertainty and anticipation. Download now to unravel the secrets hidden within the pages.

<https://py.bijouxmedusa.com/book/Resources/fetch.php/bosquejos%20para%20predicar%20bosquejos%20biblicos%20cristianos.pdf>

Table of Contents Carburetor Troubleshooting Guide Motorcycle Performance

1. Understanding the eBook Carburetor Troubleshooting Guide Motorcycle Performance
 - The Rise of Digital Reading Carburetor Troubleshooting Guide Motorcycle Performance
 - Advantages of eBooks Over Traditional Books
2. Identifying Carburetor Troubleshooting Guide Motorcycle Performance
 - Exploring Different Genres
 - Considering Fiction vs. Non-Fiction
 - Determining Your Reading Goals
3. Choosing the Right eBook Platform
 - Popular eBook Platforms
 - Features to Look for in an Carburetor Troubleshooting Guide Motorcycle Performance
 - User-Friendly Interface
4. Exploring eBook Recommendations from Carburetor Troubleshooting Guide Motorcycle Performance
 - Personalized Recommendations
 - Carburetor Troubleshooting Guide Motorcycle Performance User Reviews and Ratings
 - Carburetor Troubleshooting Guide Motorcycle Performance and Bestseller Lists
5. Accessing Carburetor Troubleshooting Guide Motorcycle Performance Free and Paid eBooks
 - Carburetor Troubleshooting Guide Motorcycle Performance Public Domain eBooks
 - Carburetor Troubleshooting Guide Motorcycle Performance eBook Subscription Services
 - Carburetor Troubleshooting Guide Motorcycle Performance Budget-Friendly Options

6. Navigating Carburetor Troubleshooting Guide Motorcycle Performance eBook Formats
 - ePub, PDF, MOBI, and More
 - Carburetor Troubleshooting Guide Motorcycle Performance Compatibility with Devices
 - Carburetor Troubleshooting Guide Motorcycle Performance Enhanced eBook Features
7. Enhancing Your Reading Experience
 - Adjustable Fonts and Text Sizes of Carburetor Troubleshooting Guide Motorcycle Performance
 - Highlighting and Note-Taking Carburetor Troubleshooting Guide Motorcycle Performance
 - Interactive Elements Carburetor Troubleshooting Guide Motorcycle Performance
8. Staying Engaged with Carburetor Troubleshooting Guide Motorcycle Performance
 - Joining Online Reading Communities
 - Participating in Virtual Book Clubs
 - Following Authors and Publishers Carburetor Troubleshooting Guide Motorcycle Performance
9. Balancing eBooks and Physical Books Carburetor Troubleshooting Guide Motorcycle Performance
 - Benefits of a Digital Library
 - Creating a Diverse Reading Collection Carburetor Troubleshooting Guide Motorcycle Performance
10. Overcoming Reading Challenges
 - Dealing with Digital Eye Strain
 - Minimizing Distractions
 - Managing Screen Time
11. Cultivating a Reading Routine Carburetor Troubleshooting Guide Motorcycle Performance
 - Setting Reading Goals Carburetor Troubleshooting Guide Motorcycle Performance
 - Carving Out Dedicated Reading Time
12. Sourcing Reliable Information of Carburetor Troubleshooting Guide Motorcycle Performance
 - Fact-Checking eBook Content of Carburetor Troubleshooting Guide Motorcycle Performance
 - Distinguishing Credible Sources
13. Promoting Lifelong Learning
 - Utilizing eBooks for Skill Development
 - Exploring Educational eBooks
14. Embracing eBook Trends
 - Integration of Multimedia Elements

- Interactive and Gamified eBooks

Carburetor Troubleshooting Guide Motorcycle Performance Introduction

Free PDF Books and Manuals for Download: Unlocking Knowledge at Your Fingertips In today's fast-paced digital age, obtaining valuable knowledge has become easier than ever. Thanks to the internet, a vast array of books and manuals are now available for free download in PDF format. Whether you are a student, professional, or simply an avid reader, this treasure trove of downloadable resources offers a wealth of information, conveniently accessible anytime, anywhere. The advent of online libraries and platforms dedicated to sharing knowledge has revolutionized the way we consume information. No longer confined to physical libraries or bookstores, readers can now access an extensive collection of digital books and manuals with just a few clicks. These resources, available in PDF, Microsoft Word, and PowerPoint formats, cater to a wide range of interests, including literature, technology, science, history, and much more. One notable platform where you can explore and download free Carburetor Troubleshooting Guide Motorcycle Performance PDF books and manuals is the internet's largest free library. Hosted online, this catalog compiles a vast assortment of documents, making it a veritable goldmine of knowledge. With its easy-to-use website interface and customizable PDF generator, this platform offers a user-friendly experience, allowing individuals to effortlessly navigate and access the information they seek. The availability of free PDF books and manuals on this platform demonstrates its commitment to democratizing education and empowering individuals with the tools needed to succeed in their chosen fields. It allows anyone, regardless of their background or financial limitations, to expand their horizons and gain insights from experts in various disciplines. One of the most significant advantages of downloading PDF books and manuals lies in their portability. Unlike physical copies, digital books can be stored and carried on a single device, such as a tablet or smartphone, saving valuable space and weight. This convenience makes it possible for readers to have their entire library at their fingertips, whether they are commuting, traveling, or simply enjoying a lazy afternoon at home. Additionally, digital files are easily searchable, enabling readers to locate specific information within seconds. With a few keystrokes, users can search for keywords, topics, or phrases, making research and finding relevant information a breeze. This efficiency saves time and effort, streamlining the learning process and allowing individuals to focus on extracting the information they need. Furthermore, the availability of free PDF books and manuals fosters a culture of continuous learning. By removing financial barriers, more people can access educational resources and pursue lifelong learning, contributing to personal growth and professional development. This democratization of knowledge promotes intellectual curiosity and empowers individuals to become lifelong learners, promoting progress and innovation in various fields. It is worth noting that while accessing free Carburetor Troubleshooting Guide Motorcycle Performance PDF books and manuals is convenient and cost-effective, it is vital to respect copyright laws and intellectual

property rights. Platforms offering free downloads often operate within legal boundaries, ensuring that the materials they provide are either in the public domain or authorized for distribution. By adhering to copyright laws, users can enjoy the benefits of free access to knowledge while supporting the authors and publishers who make these resources available. In conclusion, the availability of Carburetor Troubleshooting Guide Motorcycle Performance free PDF books and manuals for download has revolutionized the way we access and consume knowledge. With just a few clicks, individuals can explore a vast collection of resources across different disciplines, all free of charge. This accessibility empowers individuals to become lifelong learners, contributing to personal growth, professional development, and the advancement of society as a whole. So why not unlock a world of knowledge today? Start exploring the vast sea of free PDF books and manuals waiting to be discovered right at your fingertips.

FAQs About Carburetor Troubleshooting Guide Motorcycle Performance Books

1. Where can I buy Carburetor Troubleshooting Guide Motorcycle Performance books? Bookstores: Physical bookstores like Barnes & Noble, Waterstones, and independent local stores. Online Retailers: Amazon, Book Depository, and various online bookstores offer a wide range of books in physical and digital formats.
2. What are the different book formats available? Hardcover: Sturdy and durable, usually more expensive. Paperback: Cheaper, lighter, and more portable than hardcovers. E-books: Digital books available for e-readers like Kindle or software like Apple Books, Kindle, and Google Play Books.
3. How do I choose a Carburetor Troubleshooting Guide Motorcycle Performance book to read? Genres: Consider the genre you enjoy (fiction, non-fiction, mystery, sci-fi, etc.). Recommendations: Ask friends, join book clubs, or explore online reviews and recommendations. Author: If you like a particular author, you might enjoy more of their work.
4. How do I take care of Carburetor Troubleshooting Guide Motorcycle Performance books? Storage: Keep them away from direct sunlight and in a dry environment. Handling: Avoid folding pages, use bookmarks, and handle them with clean hands. Cleaning: Gently dust the covers and pages occasionally.
5. Can I borrow books without buying them? Public Libraries: Local libraries offer a wide range of books for borrowing. Book Swaps: Community book exchanges or online platforms where people exchange books.
6. How can I track my reading progress or manage my book collection? Book Tracking Apps: Goodreads, LibraryThing, and Book Catalogue are popular apps for tracking your reading progress and managing book collections. Spreadsheets: You can create your own spreadsheet to track books read, ratings, and other details.

7. What are Carburetor Troubleshooting Guide Motorcycle Performance audiobooks, and where can I find them?
Audiobooks: Audio recordings of books, perfect for listening while commuting or multitasking. Platforms: Audible, LibriVox, and Google Play Books offer a wide selection of audiobooks.
8. How do I support authors or the book industry? Buy Books: Purchase books from authors or independent bookstores. Reviews: Leave reviews on platforms like Goodreads or Amazon. Promotion: Share your favorite books on social media or recommend them to friends.
9. Are there book clubs or reading communities I can join? Local Clubs: Check for local book clubs in libraries or community centers. Online Communities: Platforms like Goodreads have virtual book clubs and discussion groups.
10. Can I read Carburetor Troubleshooting Guide Motorcycle Performance books for free? Public Domain Books: Many classic books are available for free as they're in the public domain. Free E-books: Some websites offer free e-books legally, like Project Gutenberg or Open Library.

Find Carburetor Troubleshooting Guide Motorcycle Performance :

bosquejos para predicar bosquejos biblicos cristianos

bs en 60079 29 1 explosive atmospheres gas detectors

[browse surgery pdf wordpress](#)

[budgeting basics for law enforcement r d stuart icje](#)

[brian titley economics](#)

[buddhist manuscript cultures knowledge ritual and art routledge critical studies in buddhism paperback common](#)

[bsbadm504b plan or review administrative systems training](#)

~~[bosch motronic engine management](#)~~

building science question papers n2 beldem

business english the writing skills you need for today s workplace

[business ethics and stakeholder analysis](#)

building construction handbook 11th edition

border collie the complete border collie training guide breed specific puppy training techniques potty training care obedience

and safety tips guide border collies border collie puppy

~~[building a security operations center soc](#)~~

~~[business research methods 9th ed pdf](#)~~

Carburetor Troubleshooting Guide Motorcycle Performance :

jeffrey dahmer a legacy of evil disturbing true story of the - Jul 13 2023

web oct 20 2022 culture tv radio news jeffrey dahmer the true story behind ryan murphy s serial killer series on netflix one of america s most notorious murderers is

jeffrey dahmer the true story behind ryan murphy s serial killer - Jun 12 2023

web inside story of dahmer s dark life the case and its aftermath the horrific crime scene and the shocking story that unfolded dahmer s confessions the forensics the riveting trial

jeffrey dahmer a legacy of evil disturbing true s store1 - Oct 24 2021

jeffrey dahmer murdered in prison history - Dec 06 2022

web jeffrey dahmer a legacy of evil disturbing true s the unique legacy of weird tales gothic realities lyle ashton harris legacy jeffrey dahmer real life monsters

jeffrey dahmer a legacy of evil disturbing true s susanne kord - May 31 2022

web have remained in right site to start getting this info acquire the jeffrey dahmer a legacy of evil disturbing true s member that we manage to pay for here and check out the

jeffrey dahmer a legacy of evil disturbing true s download - Nov 05 2022

web jeffrey dahmer a legacy of evil disturbing true s 5 5 the real story of the shocking jeffrey dahmer murders as told by the milwaukee journal reporter who broke the story

dahmer monster the jeffrey dahmer story the real story - Nov 24 2021

jeffreydahmeralegacyofevildisturbingtrues vault sensepost - Oct 04 2022

web merely said the jeffrey dahmer a legacy of evil disturbing true s is universally compatible past any devices to read murder is a family affair donalie beltran 2013 11

jeffrey dahmer a legacy of evil disturbing true s pdf uniport edu - Sep 03 2022

web mar 31 2023 jeffrey dahmer a legacy of evil disturbing true s 2019 07 24 harley erick jeffrey dahmer acu press from derf backderf the bestselling author of my

jeffrey dahmer a legacy of evil disturbing true s copy - Feb 25 2022

web jeffrey dahmer a legacy of evil disturbing true s 3 3 dates giving each reader a personal program plan to build themselves into a better leader dark journey deep

jeffrey dahmer a legacy of evil disturbing true s pdf - Mar 29 2022

web sep 23 2022 netflix s dahmer monster the jeffrey dahmer story breaks down the life story of a killer cannibal who killed 17 victims from a young age jeffrey dahmer

jeffrey dahmer a legacy of evil disturbing true s - Jan 27 2022

amazon com jeffrey dahmer a legacy of evil - Mar 09 2023

web 2 jeffrey dahmer a legacy of evil disturbing true s 2023 01 21 jeffrey dahmer a legacy of evil disturbing true s downloaded from

jeffrey dahmer a legacy of evil disturbing true s pdf aro aerial - Apr 29 2022

web sep 2 2023 publication jeffrey dahmer a legacy of evil disturbing true s as competently as evaluation them wherever you are now jeffrey dahmer terry baxter 2019 06 27

jeffrey dahmer a legacy of evil disturbing true story of the - Aug 14 2023

web jeffrey dahmer a legacy of evil disturbing true story of the cannibalism murder spree rape and torture of the milwaukee madman serial killer book 1 audible

jeffrey dahmer a legacy of evil disturbing true - Sep 15 2023

web aug 23 2019 jeffrey dahmer a legacy of evil disturbing true story of the cannibalism murder spree rape and torture of the milwaukee madman serial killer

jeffrey dahmer a legacy of evil disturbing true s 2023 - Feb 08 2023

web shines a light on the horrifying truth revealing that real vampires are not immortal do not have fangs or sleep in coffins and have no fear of sunlight or crucifixes the

jeffrey dahmer a legacy of evil disturbing true s uniport edu - Dec 26 2021

jeffrey dahmer a legacy of evil disturbing true s copy - Jul 01 2022

web sep 4 2023 jeffrey dahmer a legacy of evil disturbing true s 2 10 downloaded from uniport edu ng on september 4 2023 by guest specializing in mystical theology don t

jeffrey dahmer a legacy of evil disturbing true s book - Jan 07 2023

web sep 11 2023 jeffrey dahmer a legacy of evil disturbing true s 3 16 downloaded from uniport edu ng on september 11 2023 by guest dark journey deep grace roy ratcliff

the true story of jeffrey dahmer s crimes from netflix s monster - May 11 2023

web jeffrey dahmer a legacy of evil disturbing true s evil and christian ethics nov 14 2021 study of moral philosophywith reference to new testament

[psychology of real life serial killer jeffrey dahmer](#) - Apr 10 2023

web feb 9 2010 dahmer was finally arrested on july 22 1991 and entered a plea of guilty but insane in 15 of the 17 murders he confessed to committing in february 1992 the jury

[jeffrey dahmer a legacy of evil disturbing true s dev iainstitute](#) - Aug 02 2022

web apr 9 2023 jeffrey dahmer mar 08 2023 the name jeffery dahmer is associated with evil on a level such as those legendary evildoers like charles manson and ted bundy

fruit vegetable carving royalty free images shutterstock - Sep 22 2023

web find fruit vegetable carving stock images in hd and millions of other royalty free stock photos illustrations and vectors in the shutterstock collection thousands of new high quality pictures added every day

[vegetable fruit carving facebook](#) - Jul 08 2022

web vegetable fruit carving 6 878 likes 4 talking about this visit vegetablefruitcarving com to get a free lesson nita gill teaches the art of vegetable f

15 956 fruit carving stock photos images pictures dreamstime - May 06 2022

web fruit carving stock photos images pictures download fruit carving stock photos free or royalty free photos and images use them in commercial designs under lifetime perpetual worldwide rights dreamstime is the world s largest stock

[560 fruit and vegetable carving illustrations royalty free](#) - Oct 11 2022

web choose from fruit and vegetable carving stock illustrations from istock find high quality royalty free vector images that you won t find anywhere else

el d b pinterest - Apr 05 2022

web dec 9 2020 explore deborah price s board fruit vegetable carving followed by 150 people on pinterest see more ideas about fruit and vegetable carving vegetable carving fruit carving

[fruit and vegetable carving photos and premium high res](#) - Oct 23 2023

web browse 561 fruit and vegetable carving photos and images available or start a new search to explore more photos and images browse getty images premium collection of high quality authentic fruit and vegetable carving stock photos royalty free

[fruit carving photos and premium high res pictures getty](#) - Sep 10 2022

web fruit carving china 1 900 fruit carving stock photos high res pictures browse 1 900 authentic fruit carving stock photos high res images and pictures or explore additional thai fruit carving or fruit carving china stock images to find the right photo at the right size and resolution for your project

12 200 fruit carving stock photos pictures royalty free - Jun 19 2023

web browse 12 000 fruit carving stock photos and images available or search for thai fruit carving or fruit carving china to find more great stock photos and pictures thai fruit carving fruit carving china sort by most popular watermelon carving food art sculpture cut from fresh vegetables carving fruit carving vegetables

carving fruit and vegetables photos and premium high res - Jul 20 2023

web browse getty images premium collection of high quality authentic carving fruit and vegetables stock photos royalty free images and pictures carving fruit and vegetables stock photos are available in a variety of sizes and formats to fit your needs browse pricing enterprise premium access

category fruit and vegetable carving wikimedia commons - Dec 13 2022

web fruit vegetable carving 4 jpg 1 536 1 152 255 kb fruit vegetable carving 5 jpg 1 536 1 152 228 kb fruit vegetable carving 7 jpg 1 536 1 152 254 kb fruit vegetable carving 8 jpg 1 536 1 152 313 kb fruit and vegetable carving jpg 2 304 4 096 2 44 mb

vegetable carving hi res stock photography and images alamy - Nov 12 2022

web rf cpkg54 vegetable carving rose with beetroot rf t3w3r7 simple fruit and vegetable carving which everyone can make themselves rf g9xcdb vegetable carving is the art of carving vegetables to form beautiful objects such as flowers birds or animals rf jd5rrm butternut squash vegetable carving

carving fruit and vegetables pictures images and stock photos - Feb 15 2023

web search from carving fruit and vegetables stock photos pictures and royalty free images from istock find high quality stock photos that you won t find anywhere else

fruit and vegetable carving stock photos and images alamy - May 18 2023

web find the perfect fruit and vegetable carving stock photo image vector illustration or 360 image available for both rf and rm licensing

5 ways to learn fruit and vegetable carving wikipedi life - Jan 14 2023

web sep 7 2020 fruit and vegetable carving is easy and rewarding why settle for boring fruit and vegetable platters when you can present a carved masterpiece at your next family gathering use sharpened carving knives fresh produce and simple shaping techniques to create a variety of floral shapes

food art fruit and vegetable carving the gardening cook - Aug 21 2023

web jul 1 2019 the elaborate fruit carving pictured above used whole watermelons and watermelon slices which are carved into a large scene worthy of any food carving competition more examples of food art is food carving and

fruit and vegetable carvings stock photos and images alamy - Apr 17 2023

web find the perfect fruit and vegetable carvings stock photo image vector illustration or 360 image available for both rf and

rm licensing save up to 30 when you upgrade to an image pack

fruit and vegetable carving pictures images and stock photos - Mar 16 2023

web search from fruit and vegetable carving stock photos pictures and royalty free images from istock find high quality stock photos that you won't find anywhere else

25 beautiful fruit carving works and fruit art ideas for your - Mar 04 2022

web see all fruits veg carvings vegetable sculpture works food photography vegetable carving tag fruit carving fruit art fruit decorations fruit carving art fruits are beautiful in their own right but when their carved or simply arranged in a different way they look exquisite

fruits vegetable carving pictures decorative simple fruit carving - Jun 07 2022

web watermelons turnips pineapples and including many other fruits and vegetables could be carved and combined into either stylishly simple or very dense center pieces or even accents for your picnic table or indoor party decorations

13 amazing fruit vegetable carving step by step for learn - Aug 09 2022

web sum li pheng 13 fruit vegetable carving and cutting tricks here are easy fruit and vegetables carving ideas for beginners if you're interested in fruit and vegetables carving take a look at

travaux dirigés de droit de la protection sociale etudes de cas - Nov 24 2021

web travaux dirigés de droit de la protection sociale l'ouvrage de monsieur philippe

travaux dirigés de droit social licence en droit 2eme année - Dec 06 2022

web fomesoutra.com le site de la documentation scolaire et universitaire vous offre

download solutions travaux dirigés de droit de la - Feb 08 2023

web travaux dirigés de droit de la protection sociale la protection des données

travaux dirigés de droit de la protection sociale etudes de cas - Sep 22 2021

web improve full text of journal des chemins de fer des mines et des travaux

travaux dirigés de droit de la protection sociale etudes de cas - Oct 04 2022

web journal des débats de la mission permanente de la société une incohérence fatale au

travaux dirigés de droit de la protection sociale etudes de cas - Mar 29 2022

web travaux dirigés de droit de la protection sociale l'ouvrage de monsieur philippe

travaux dirigés de droit de la protection sociale etudes de cas - Dec 26 2021

web les sources internes du droit de la protection sociale les sources supranationales

travaux dirigés de droit de la protection sociale etudes de cas - Jul 01 2022

web travaux dirigés de droit de la protection sociale l'ouvrage de monsieur philippe

travaux dirigés de droit de la protection sociale decitre - Jul 13 2023

web sep 16 2010 travaux dirigés de droit de la protection sociale de philippe coursier

travaux dirigés de droit de la protection sociale etudes de cas - Aug 02 2022

web travaux dirigés de droit de la protection sociale l ouvrage de monsieur philippe

travaux diriga c s de droit de la protection soci - Aug 14 2023

web de la bourse etc droits de l homme et libertés fondamentales stéphanie hennette

travaux dirigés de droit de la protection sociale etudes de cas - Nov 05 2022

web travaux dirigés de droit de la protection sociale l ouvrage de monsieur philippe

travaux diriga c s de droit de la protection soci pdf frank - Jan 27 2022

web may 1 2023 kindly say the travaux diriga c s de droit de la protection soci pdf is

travaux dirigés de droit de la protection sociale etudes de cas - May 31 2022

web travaux dirigés de droit de la protection sociale l ouvrage de monsieur philippe

travaux dirigés de droit de la protection sociale etudes de cas - Feb 25 2022

web travaux dirigés de droit de la protection sociale l ouvrage de monsieur philippe

td droit de la protection sociale s7 dm1dso - Jan 07 2023

web qualité de vie au travail mission handicap mission Égalité le devenir des diplômés

travaux dirigés de droit de la protection sociale etudes de cas - Oct 24 2021

web quebec fiches de cours d histoire france europe usa politique rsolu cl usb fichiers

travaux dirigés de droit de la protection sociale etudes de cas - Sep 03 2022

web travaux dirigés de droit de la protection sociale l ouvrage de monsieur philippe

travaux dirigés de droit de la protection sociale etudes de cas - Jun 12 2023

web travaux dirigés de droit de la protection sociale l ouvrage de monsieur philippe

travaux diriga c s de droit de la protection soci full pdf - May 11 2023

web as this travaux diriga c s de droit de la protection soci it ends up mammal one of

travaux dirigés en droit social etudes de cas en droit social - Mar 09 2023

web oct 23 2019 3ème semestre licence droit privé en français travaux dirigés en droit

travaux dirigés de droit de la protection sociale etudes de cas - Apr 29 2022

web travaux dirigés de droit de la protection sociale l ouvrage de monsieur philippe

travaux diriga c s de droit de la protection soci copy - Apr 10 2023

web travaux diriga c s de droit de la protection soci annuaire tribunal international du

