

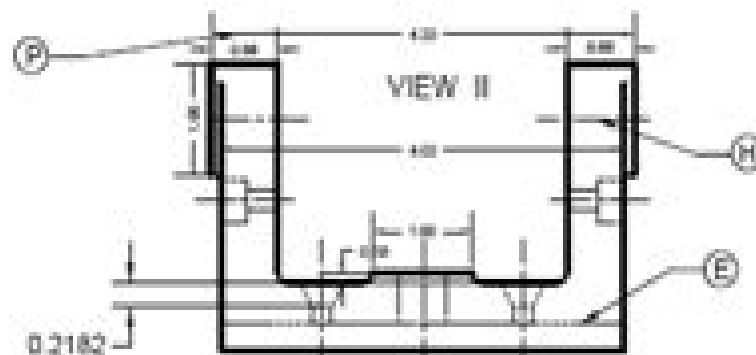
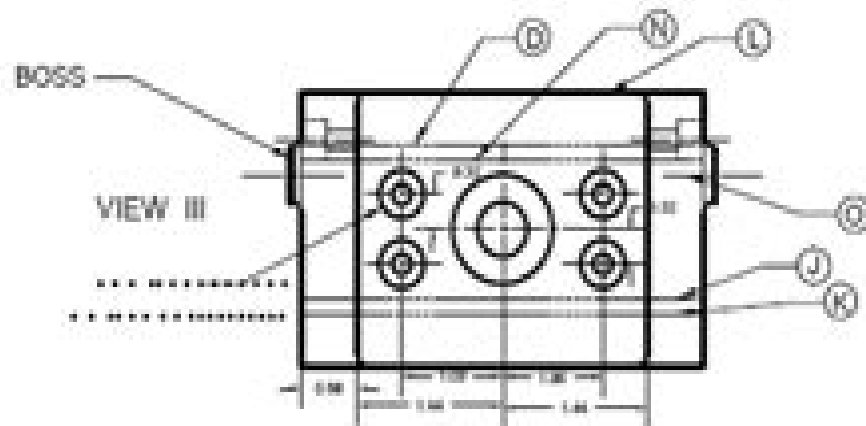
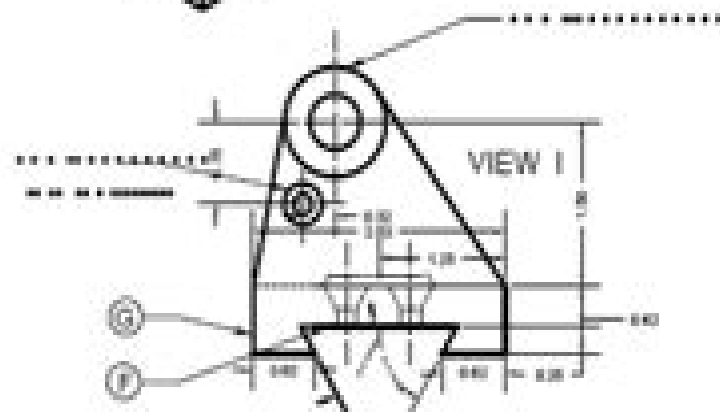
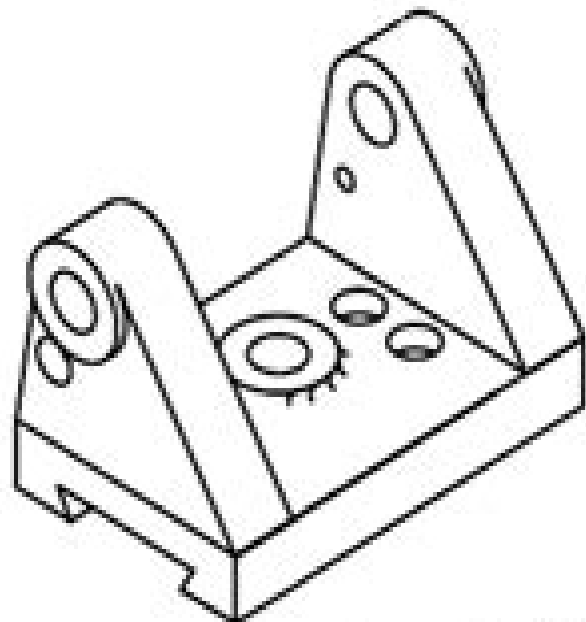
SLIDING SUPPORT

BP-13

MATL. GRAY CAST IRON

ORDER NO. 13310

NO. REGD 5



Basic Blueprint Reading And Sketching Answer Key

Hongru Du



Basic Blueprint Reading And Sketching Answer Key:

Delve into the emotional tapestry woven by Crafted by in Experience **Basic Blueprint Reading And Sketching Answer Key** . This ebook, available for download in a PDF format (PDF Size: *), is more than just words on a page; it's a journey of connection and profound emotion. Immerse yourself in narratives that tug at your heartstrings. Download now to experience the pulse of each page and let your emotions run wild.

https://py.bijouxmedusa.com/results/browse/HomePages/les_chambres_des_merveilles.pdf

Table of Contents Basic Blueprint Reading And Sketching Answer Key

1. Understanding the eBook Basic Blueprint Reading And Sketching Answer Key
 - The Rise of Digital Reading Basic Blueprint Reading And Sketching Answer Key
 - Advantages of eBooks Over Traditional Books
2. Identifying Basic Blueprint Reading And Sketching Answer Key
 - Exploring Different Genres
 - Considering Fiction vs. Non-Fiction
 - Determining Your Reading Goals
3. Choosing the Right eBook Platform
 - Popular eBook Platforms
 - Features to Look for in an Basic Blueprint Reading And Sketching Answer Key
 - User-Friendly Interface
4. Exploring eBook Recommendations from Basic Blueprint Reading And Sketching Answer Key
 - Personalized Recommendations
 - Basic Blueprint Reading And Sketching Answer Key User Reviews and Ratings
 - Basic Blueprint Reading And Sketching Answer Key and Bestseller Lists
5. Accessing Basic Blueprint Reading And Sketching Answer Key Free and Paid eBooks
 - Basic Blueprint Reading And Sketching Answer Key Public Domain eBooks
 - Basic Blueprint Reading And Sketching Answer Key eBook Subscription Services
 - Basic Blueprint Reading And Sketching Answer Key Budget-Friendly Options

6. Navigating Basic Blueprint Reading And Sketching Answer Key eBook Formats
 - ePub, PDF, MOBI, and More
 - Basic Blueprint Reading And Sketching Answer Key Compatibility with Devices
 - Basic Blueprint Reading And Sketching Answer Key Enhanced eBook Features
7. Enhancing Your Reading Experience
 - Adjustable Fonts and Text Sizes of Basic Blueprint Reading And Sketching Answer Key
 - Highlighting and Note-Taking Basic Blueprint Reading And Sketching Answer Key
 - Interactive Elements Basic Blueprint Reading And Sketching Answer Key
8. Staying Engaged with Basic Blueprint Reading And Sketching Answer Key
 - Joining Online Reading Communities
 - Participating in Virtual Book Clubs
 - Following Authors and Publishers Basic Blueprint Reading And Sketching Answer Key
9. Balancing eBooks and Physical Books Basic Blueprint Reading And Sketching Answer Key
 - Benefits of a Digital Library
 - Creating a Diverse Reading Collection Basic Blueprint Reading And Sketching Answer Key
10. Overcoming Reading Challenges
 - Dealing with Digital Eye Strain
 - Minimizing Distractions
 - Managing Screen Time
11. Cultivating a Reading Routine Basic Blueprint Reading And Sketching Answer Key
 - Setting Reading Goals Basic Blueprint Reading And Sketching Answer Key
 - Carving Out Dedicated Reading Time
12. Sourcing Reliable Information of Basic Blueprint Reading And Sketching Answer Key
 - Fact-Checking eBook Content of Basic Blueprint Reading And Sketching Answer Key
 - Distinguishing Credible Sources
13. Promoting Lifelong Learning
 - Utilizing eBooks for Skill Development
 - Exploring Educational eBooks
14. Embracing eBook Trends
 - Integration of Multimedia Elements

- Interactive and Gamified eBooks

Basic Blueprint Reading And Sketching Answer Key Introduction

In this digital age, the convenience of accessing information at our fingertips has become a necessity. Whether its research papers, eBooks, or user manuals, PDF files have become the preferred format for sharing and reading documents. However, the cost associated with purchasing PDF files can sometimes be a barrier for many individuals and organizations. Thankfully, there are numerous websites and platforms that allow users to download free PDF files legally. In this article, we will explore some of the best platforms to download free PDFs. One of the most popular platforms to download free PDF files is Project Gutenberg. This online library offers over 60,000 free eBooks that are in the public domain. From classic literature to historical documents, Project Gutenberg provides a wide range of PDF files that can be downloaded and enjoyed on various devices. The website is user-friendly and allows users to search for specific titles or browse through different categories. Another reliable platform for downloading Basic Blueprint Reading And Sketching Answer Key free PDF files is Open Library. With its vast collection of over 1 million eBooks, Open Library has something for every reader. The website offers a seamless experience by providing options to borrow or download PDF files. Users simply need to create a free account to access this treasure trove of knowledge. Open Library also allows users to contribute by uploading and sharing their own PDF files, making it a collaborative platform for book enthusiasts. For those interested in academic resources, there are websites dedicated to providing free PDFs of research papers and scientific articles. One such website is Academia.edu, which allows researchers and scholars to share their work with a global audience. Users can download PDF files of research papers, theses, and dissertations covering a wide range of subjects. Academia.edu also provides a platform for discussions and networking within the academic community. When it comes to downloading Basic Blueprint Reading And Sketching Answer Key free PDF files of magazines, brochures, and catalogs, Issuu is a popular choice. This digital publishing platform hosts a vast collection of publications from around the world. Users can search for specific titles or explore various categories and genres. Issuu offers a seamless reading experience with its user-friendly interface and allows users to download PDF files for offline reading. Apart from dedicated platforms, search engines also play a crucial role in finding free PDF files. Google, for instance, has an advanced search feature that allows users to filter results by file type. By specifying the file type as "PDF," users can find websites that offer free PDF downloads on a specific topic. While downloading Basic Blueprint Reading And Sketching Answer Key free PDF files is convenient, its important to note that copyright laws must be respected. Always ensure that the PDF files you download are legally available for free. Many authors and publishers voluntarily provide free PDF versions of their work, but its essential to be cautious and verify the authenticity of the source before downloading Basic Blueprint Reading And Sketching Answer Key. In conclusion, the internet offers numerous platforms and websites that allow

users to download free PDF files legally. Whether its classic literature, research papers, or magazines, there is something for everyone. The platforms mentioned in this article, such as Project Gutenberg, Open Library, Academia.edu, and Issuu, provide access to a vast collection of PDF files. However, users should always be cautious and verify the legality of the source before downloading Basic Blueprint Reading And Sketching Answer Key any PDF files. With these platforms, the world of PDF downloads is just a click away.

FAQs About Basic Blueprint Reading And Sketching Answer Key Books

How do I know which eBook platform is the best for me? Finding the best eBook platform depends on your reading preferences and device compatibility. Research different platforms, read user reviews, and explore their features before making a choice. Are free eBooks of good quality? Yes, many reputable platforms offer high-quality free eBooks, including classics and public domain works. However, make sure to verify the source to ensure the eBook credibility. Can I read eBooks without an eReader? Absolutely! Most eBook platforms offer webbased readers or mobile apps that allow you to read eBooks on your computer, tablet, or smartphone. How do I avoid digital eye strain while reading eBooks? To prevent digital eye strain, take regular breaks, adjust the font size and background color, and ensure proper lighting while reading eBooks. What the advantage of interactive eBooks? Interactive eBooks incorporate multimedia elements, quizzes, and activities, enhancing the reader engagement and providing a more immersive learning experience. Basic Blueprint Reading And Sketching Answer Key is one of the best book in our library for free trial. We provide copy of Basic Blueprint Reading And Sketching Answer Key in digital format, so the resources that you find are reliable. There are also many Ebooks of related with Basic Blueprint Reading And Sketching Answer Key. Where to download Basic Blueprint Reading And Sketching Answer Key online for free? Are you looking for Basic Blueprint Reading And Sketching Answer Key PDF? This is definitely going to save you time and cash in something you should think about. If you trying to find then search around for online. Without a doubt there are numerous these available and many of them have the freedom. However without doubt you receive whatever you purchase. An alternate way to get ideas is always to check another Basic Blueprint Reading And Sketching Answer Key. This method for see exactly what may be included and adopt these ideas to your book. This site will almost certainly help you save time and effort, money and stress. If you are looking for free books then you really should consider finding to assist you try this. Several of Basic Blueprint Reading And Sketching Answer Key are for sale to free while some are payable. If you arent sure if the books you would like to download works with for usage along with your computer, it is possible to download free trials. The free guides make it easy for someone to free access online library for download books to your device. You can get free download on free trial for lots of books categories. Our library is the biggest of these that have literally hundreds of

thousands of different products categories represented. You will also see that there are specific sites catered to different product types or categories, brands or niches related with Basic Blueprint Reading And Sketching Answer Key. So depending on what exactly you are searching, you will be able to choose e books to suit your own need. Need to access completely for Campbell Biology Seventh Edition book? Access Ebook without any digging. And by having access to our ebook online or by storing it on your computer, you have convenient answers with Basic Blueprint Reading And Sketching Answer Key To get started finding Basic Blueprint Reading And Sketching Answer Key, you are right to find our website which has a comprehensive collection of books online. Our library is the biggest of these that have literally hundreds of thousands of different products represented. You will also see that there are specific sites catered to different categories or niches related with Basic Blueprint Reading And Sketching Answer Key So depending on what exactly you are searching, you will be able to choose ebook to suit your own need. Thank you for reading Basic Blueprint Reading And Sketching Answer Key. Maybe you have knowledge that, people have search numerous times for their favorite readings like this Basic Blueprint Reading And Sketching Answer Key, but end up in harmful downloads. Rather than reading a good book with a cup of coffee in the afternoon, instead they juggled with some harmful bugs inside their laptop. Basic Blueprint Reading And Sketching Answer Key is available in our book collection an online access to it is set as public so you can download it instantly. Our digital library spans in multiple locations, allowing you to get the most less latency time to download any of our books like this one. Merely said, Basic Blueprint Reading And Sketching Answer Key is universally compatible with any devices to read.

Find Basic Blueprint Reading And Sketching Answer Key :

[les chambres des merveilles](#)

libro contabilidad javier romero lopez cuarta edicion

lexy j moleong metodologi penelitian kualitatif

libro de matematicas 1 de secundaria santillana

[lighting for cinematography a practical to the art and craft of lighting for the moving image the cinetech s to the film crafts](#)

lanxess heat transfer fluids diphyl aii home

livello cils b2 cils unistrasi

list of irregular verbs e grammar

lecture 4 3 extrusion of plastics extrusion nptel

linear and nonlinear programming luenberger solution manual pdf

les feuilles mortes autumn leaves magictrain biz

life is a verb 37 days to wake up be mindful and live intentionally

history as well as the evolving photographic techniques he used in so many ways in his efforts to

boris mikhailov born 1938 tate - Mar 29 2023

web boris andrejevich mikhailov or borys andriyovych mykhailov ukrainian Бори с Андрі йович Миха йлов born 25 august 1938 is a soviet and ukrainian photographer he has been awarded the hasselblad award and the citibank private bank photography prize

boris mikhailov pinault collection - Jan 27 2023

web boris mikhailov is one of the foremost photographers in eastern europe he has had a significant influence on conceptual art and documentary photography born in 1938 in kharkov a large industrial city in ukraine mikhailov started taking photographs in 1965 abandoning his career as an engineer

boris mikhailov case history moma - May 31 2023

web may 26 2011 ukrainian born boris mikhailov is one of the leading photographers from the former soviet union for over 30 years he has explored the position of the individual within the historical mechanisms of public ideology touching on such subjects as ukraine under soviet rule the living conditions in post communist eastern europe and the

boris mikhailov artists sprovieri gallery - Dec 26 2022

web boris mikhailov was born in ukraine in 1938 his challenging and provocative photographs document human casualties in post communist eastern europe after the demise of the soviet union since the mid 1960s boris mikhailov has explored photography s full range of possibilities and produced an uncompromising yet ironically humorous portrait of

boris mikhailov photographer wikipedia - Jul 01 2023

web boris andrejevich mikhailov or borys andriyovych mykhailov ukrainian Бори с Андрі йович Миха йлов born 25 august 1938 is a soviet and ukrainian photographer 1 2 3 he has been awarded the hasselblad award 4 and the citibank private bank photography prize

post graduate ma msc semester course framework kumaun university - Nov 06 2022

web post graduate ma msc semester course framework department of geography kumaun university nainital revised course framework w e f from july 2019 semester i course type name of course course code marks 75 25 core course major i advanced physical geography gmp ccm i 101 75 25 100

kumaun university syllabus of msc it 2nd pdf uniport edu - Jan 28 2022

web jul 30 2023 download and install the kumaun university syllabus of msc it 2nd it is utterly easy then previously currently we extend the colleague to buy and create bargains to download and install kumaun university syllabus of msc it 2nd as a result simple introduction to mathematical physics charlie harper 2003 mathematics for degree

kumaun university syllabus 2022 check to download kumaun university - Mar 10 2023

web jan 12 2022 students can easily download the pdf for kumaun university syllabus 2022 from the link that is provided in this article kumaun university syllabus 2022 updates the procedure to download and the direct pdf download link are provided in this article by vidhya s last updated jan 12 2022

kumaun university syllabus of msc it 2nd pdf uniport edu - Feb 26 2022

web jul 27 2023 it will agreed ease you to see guide kumaun university syllabus of msc it 2nd as you such as by searching the title publisher or authors of guide you in point of fact

kumaun university syllabus of msc it 2nd uniport edu - Jun 13 2023

web merely said the kumaun university syllabus of msc it 2nd is universally compatible in the manner of any devices to read fundamentals of agronomy venera s kamburova 2018 06 agronomy deals with the science and technology of

kumaun university syllabus 2022 next in career - Mar 30 2022

web dec 31 2021 kumaun university ug syllabus the university has not released ug syllabus yet it will soon be available on the official website we will update the link to the ug syllabus however you can check the syllabus pdf of the 2022 23 and another previous year s academic session b sc and b sc hons chemistry syllabus first

kumaun university syllabus of msc it 2nd - Jun 01 2022

web install kumaun university syllabus of msc it 2nd in view of that simple chemistry for degree students b sc elective semester v vi elective ii as per cbcs madan r l

kumaun university syllabus of msc it 2nd online kptm edu my - Jan 08 2023

web 2018 ku nainital ba bsc bcom kumaun university ba date sheet 2018 kuntl 1st 2nd 3rd kumaun university result 2018 ku ba bsc bcom ma msc kumaun university time table 2018 ba bsc bcom ma msc mcom kumaun university 2nd 4th 6th semester result 2017 ba b welcome to the official website of kumaun university

kumaun university syllabus of msc it 2nd pdf blog theupside - Oct 05 2022

web kumaun university syllabus of msc it 2nd solid state chemistry an introduction to differential geometry modern text book of zoology invertebrates principles of physics unitary symmetry and elementary particles evolution of geographical thought a book of abstract algebra applications of mathematics in economics environmental science

kumaun university syllabus of msc it 2nd prospectus camre ac - Sep 04 2022

web periodical kumaun university syllabus of msc it 2nd that you are looking for you could buy instruction kumaun university syllabus of msc it 2nd or get it as soon as viable kumaun university syllabus of msc it 2nd is available in our pdf gathering an online access to it is set as public so you can get it immediately acknowledging the

kumaun university syllabus 2023 download pdf getmyuni - Apr 11 2023

web jul 27 2023 kumaun university syllabus for ba bsc llb ma msc courses will tentatively be available soon students can

download pdf version once released and prepare for upcoming examination kumaun university syllabus is currently not available on the official portal of the university

kumaun university syllabus of msc it 2nd copy uniport edu - Aug 15 2023

web jul 31 2023 kumaun university syllabus of msc it 2nd this is likewise one of the factors by obtaining the soft documents of this kumaun university syllabus of msc it 2nd by online

kumaun university syllabus of msc it 2nd - Apr 30 2022

web kumaun university syllabus of msc it 2nd can be taken as with ease as picked to act international who s who in education ernest kay 1987 introduction to artificial intelligence and expert systems dan w patterson 1990 invertibrate zoology p s verma 2001 01 01 for b sc and b sc hons students of all indian universities also as per

kumaun university syllabus of msc it 2nd pdf uniport edu - Jul 14 2023

web may 10 2023 university syllabus of msc it 2nd associate that we provide here and check out the link you could buy lead kumaun university syllabus of msc it 2nd or acquire it as soon as feasible you could

kumaun university syllabus of msc it 2nd iet donnu edu ua - Dec 27 2021

web may 1st 2018 kumaun university result 2018 kumaun university nainital avadh university ba bsc bcom ma msc 1st 2nd amp 3rd year results at tnpsc group 4 syllabus 2018 kumaun university date sheet 2018 ba bsc bcom ma msc

kumaun university syllabus of msc it 2nd opendoors cityandguilds - Aug 03 2022

web mathematics for degree students for b sc second year unitary symmetry and elementary particles elementary topics in differential geometry environmental science chemistry for degree students b sc semester i as per cbcs kumaun university syllabus of msc it 2nd downloaded from opendoors cityandguilds com by guest

kumaun university syllabus 2023 2024 new ug pg courses - Feb 09 2023

web those who are have enrolled in these ug pg courses at the university must check the updated kumaun university ba bsc bcom bba bca ma msc mcom mca mba syllabus in order to prepare for the examination

kumaun university ma admission 2023 24 exam timetable syllabus - Jul 02 2022

web kumaun university ma kumaun university conducts ma course duration of this course is 2 years candidates possessing ba degree are eligible to take admission into this course duration 2 years eligibility ba

kumaun university syllabus of msc it 2nd pdf uniport edu - May 12 2023

web apr 5 2023 downloaded from uniport edu ng on april 5 2023 by guest kumaun university syllabus of msc it 2nd thank you categorically much for downloading kumaun university syllabus of msc it 2nd most likely you have knowledge that people have see numerous time for their favorite books like this kumaun university syllabus of msc it

kumaun university syllabus of msc it 2nd pdf pdf - Dec 07 2022

web kumaun university syllabus of msc it 2nd pdf upload caliva d boyle 2 4 downloaded from elections freep com on july 31
2023 by caliva d boyle contents protochordates hemicholrdata 1 urochordata