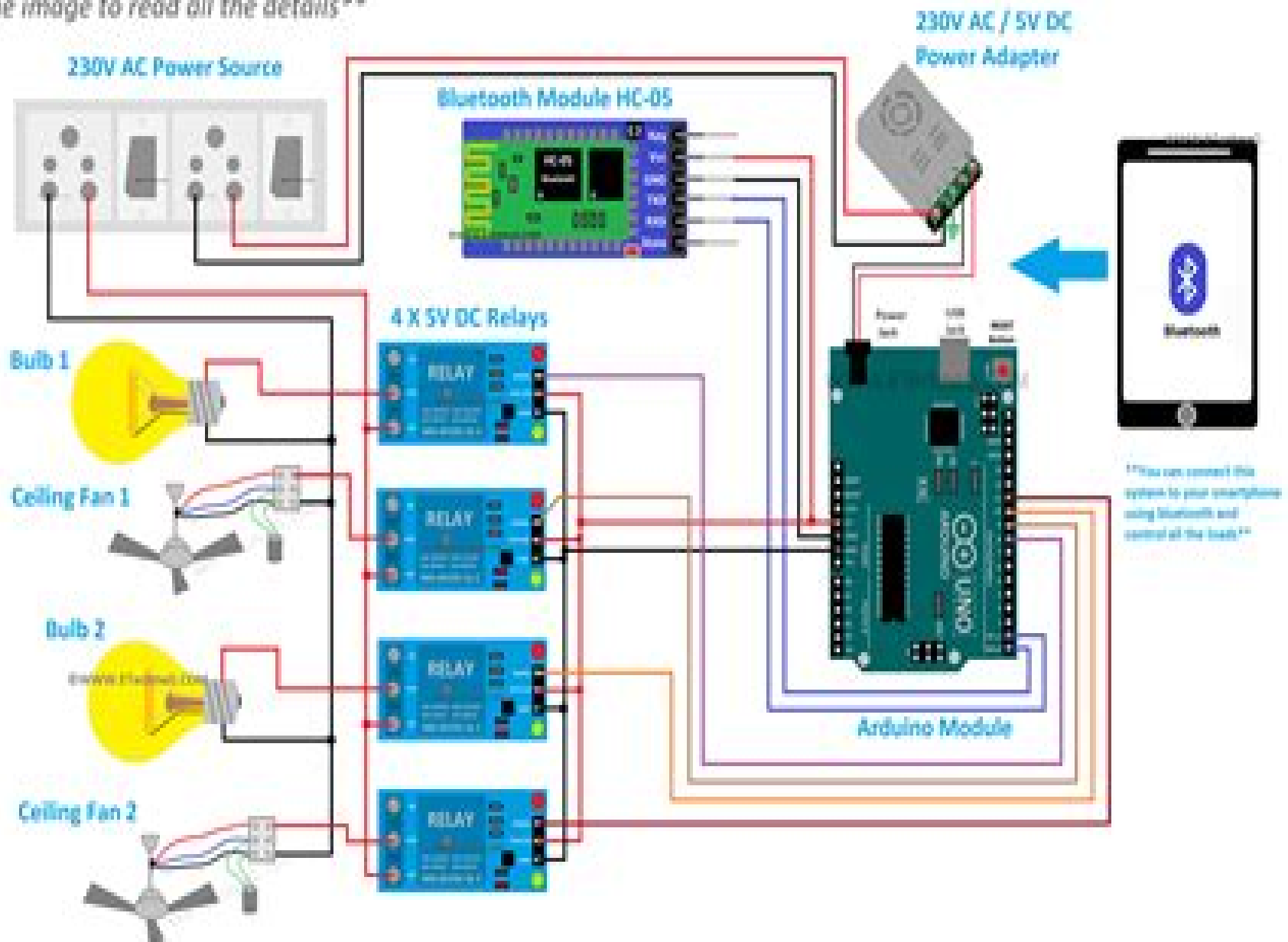


Figure.01:

# Smart Home Automation System using Arduino

*\*\*Zoom in the image to read all the details\*\**



# Bluetooth Based Home Automation And Security System Using Arm9

**Roman Wölfel**



## **Bluetooth Based Home Automation And Security System Using Arm9:**

## **Bluetooth Based Home Automation And Security System Using Arm9** Book Review: Unveiling the Power of Words

In a world driven by information and connectivity, the ability of words has become more evident than ever. They have the ability to inspire, provoke, and ignite change. Such is the essence of the book **Bluetooth Based Home Automation And Security System Using Arm9**, a literary masterpiece that delves deep into the significance of words and their affect our lives. Published by a renowned author, this captivating work takes readers on a transformative journey, unraveling the secrets and potential behind every word. In this review, we shall explore the book's key themes, examine its writing style, and analyze its overall affect readers.

<https://py.bijouxmedusa.com/files/detail/fetch.php/Partitur%20Lagu%20Paduan%20Suara%20Gerejawi.pdf>

### **Table of Contents Bluetooth Based Home Automation And Security System Using Arm9**

1. Understanding the eBook Bluetooth Based Home Automation And Security System Using Arm9
  - The Rise of Digital Reading Bluetooth Based Home Automation And Security System Using Arm9
  - Advantages of eBooks Over Traditional Books
2. Identifying Bluetooth Based Home Automation And Security System Using Arm9
  - Exploring Different Genres
  - Considering Fiction vs. Non-Fiction
  - Determining Your Reading Goals
3. Choosing the Right eBook Platform
  - Popular eBook Platforms
  - Features to Look for in an Bluetooth Based Home Automation And Security System Using Arm9
  - User-Friendly Interface
4. Exploring eBook Recommendations from Bluetooth Based Home Automation And Security System Using Arm9
  - Personalized Recommendations
  - Bluetooth Based Home Automation And Security System Using Arm9 User Reviews and Ratings
  - Bluetooth Based Home Automation And Security System Using Arm9 and Bestseller Lists

5. Accessing Bluetooth Based Home Automation And Security System Using Arm9 Free and Paid eBooks
  - Bluetooth Based Home Automation And Security System Using Arm9 Public Domain eBooks
  - Bluetooth Based Home Automation And Security System Using Arm9 eBook Subscription Services
  - Bluetooth Based Home Automation And Security System Using Arm9 Budget-Friendly Options
6. Navigating Bluetooth Based Home Automation And Security System Using Arm9 eBook Formats
  - ePub, PDF, MOBI, and More
  - Bluetooth Based Home Automation And Security System Using Arm9 Compatibility with Devices
  - Bluetooth Based Home Automation And Security System Using Arm9 Enhanced eBook Features
7. Enhancing Your Reading Experience
  - Adjustable Fonts and Text Sizes of Bluetooth Based Home Automation And Security System Using Arm9
  - Highlighting and Note-Taking Bluetooth Based Home Automation And Security System Using Arm9
  - Interactive Elements Bluetooth Based Home Automation And Security System Using Arm9
8. Staying Engaged with Bluetooth Based Home Automation And Security System Using Arm9
  - Joining Online Reading Communities
  - Participating in Virtual Book Clubs
  - Following Authors and Publishers Bluetooth Based Home Automation And Security System Using Arm9
9. Balancing eBooks and Physical Books Bluetooth Based Home Automation And Security System Using Arm9
  - Benefits of a Digital Library
  - Creating a Diverse Reading Collection Bluetooth Based Home Automation And Security System Using Arm9
10. Overcoming Reading Challenges
  - Dealing with Digital Eye Strain
  - Minimizing Distractions
  - Managing Screen Time
11. Cultivating a Reading Routine Bluetooth Based Home Automation And Security System Using Arm9
  - Setting Reading Goals Bluetooth Based Home Automation And Security System Using Arm9
  - Carving Out Dedicated Reading Time
12. Sourcing Reliable Information of Bluetooth Based Home Automation And Security System Using Arm9
  - Fact-Checking eBook Content of Bluetooth Based Home Automation And Security System Using Arm9
  - Distinguishing Credible Sources
13. Promoting Lifelong Learning

- Utilizing eBooks for Skill Development
  - Exploring Educational eBooks
14. Embracing eBook Trends
- Integration of Multimedia Elements
  - Interactive and Gamified eBooks

### **Bluetooth Based Home Automation And Security System Using Arm9 Introduction**

In this digital age, the convenience of accessing information at our fingertips has become a necessity. Whether its research papers, eBooks, or user manuals, PDF files have become the preferred format for sharing and reading documents. However, the cost associated with purchasing PDF files can sometimes be a barrier for many individuals and organizations. Thankfully, there are numerous websites and platforms that allow users to download free PDF files legally. In this article, we will explore some of the best platforms to download free PDFs. One of the most popular platforms to download free PDF files is Project Gutenberg. This online library offers over 60,000 free eBooks that are in the public domain. From classic literature to historical documents, Project Gutenberg provides a wide range of PDF files that can be downloaded and enjoyed on various devices. The website is user-friendly and allows users to search for specific titles or browse through different categories. Another reliable platform for downloading Bluetooth Based Home Automation And Security System Using Arm9 free PDF files is Open Library. With its vast collection of over 1 million eBooks, Open Library has something for every reader. The website offers a seamless experience by providing options to borrow or download PDF files. Users simply need to create a free account to access this treasure trove of knowledge. Open Library also allows users to contribute by uploading and sharing their own PDF files, making it a collaborative platform for book enthusiasts. For those interested in academic resources, there are websites dedicated to providing free PDFs of research papers and scientific articles. One such website is Academia.edu, which allows researchers and scholars to share their work with a global audience. Users can download PDF files of research papers, theses, and dissertations covering a wide range of subjects. Academia.edu also provides a platform for discussions and networking within the academic community. When it comes to downloading Bluetooth Based Home Automation And Security System Using Arm9 free PDF files of magazines, brochures, and catalogs, Issuu is a popular choice. This digital publishing platform hosts a vast collection of publications from around the world. Users can search for specific titles or explore various categories and genres. Issuu offers a seamless reading experience with its user-friendly interface and allows users to download PDF files for offline reading. Apart from dedicated platforms, search engines also play a crucial role in finding free PDF files. Google, for instance, has an advanced search feature that allows users to filter results by file type. By specifying the file type as "PDF," users can find websites that offer free PDF downloads on a specific topic. While

downloading Bluetooth Based Home Automation And Security System Using Arm9 free PDF files is convenient, its important to note that copyright laws must be respected. Always ensure that the PDF files you download are legally available for free. Many authors and publishers voluntarily provide free PDF versions of their work, but its essential to be cautious and verify the authenticity of the source before downloading Bluetooth Based Home Automation And Security System Using Arm9. In conclusion, the internet offers numerous platforms and websites that allow users to download free PDF files legally. Whether its classic literature, research papers, or magazines, there is something for everyone. The platforms mentioned in this article, such as Project Gutenberg, Open Library, Academia.edu, and Issuu, provide access to a vast collection of PDF files. However, users should always be cautious and verify the legality of the source before downloading Bluetooth Based Home Automation And Security System Using Arm9 any PDF files. With these platforms, the world of PDF downloads is just a click away.

### **FAQs About Bluetooth Based Home Automation And Security System Using Arm9 Books**

How do I know which eBook platform is the best for me? Finding the best eBook platform depends on your reading preferences and device compatibility. Research different platforms, read user reviews, and explore their features before making a choice. Are free eBooks of good quality? Yes, many reputable platforms offer high-quality free eBooks, including classics and public domain works. However, make sure to verify the source to ensure the eBook credibility. Can I read eBooks without an eReader? Absolutely! Most eBook platforms offer web-based readers or mobile apps that allow you to read eBooks on your computer, tablet, or smartphone. How do I avoid digital eye strain while reading eBooks? To prevent digital eye strain, take regular breaks, adjust the font size and background color, and ensure proper lighting while reading eBooks. What the advantage of interactive eBooks? Interactive eBooks incorporate multimedia elements, quizzes, and activities, enhancing the reader engagement and providing a more immersive learning experience. Bluetooth Based Home Automation And Security System Using Arm9 is one of the best book in our library for free trial. We provide copy of Bluetooth Based Home Automation And Security System Using Arm9 in digital format, so the resources that you find are reliable. There are also many Ebooks of related with Bluetooth Based Home Automation And Security System Using Arm9. Where to download Bluetooth Based Home Automation And Security System Using Arm9 online for free? Are you looking for Bluetooth Based Home Automation And Security System Using Arm9 PDF? This is definitely going to save you time and cash in something you should think about.

**Find Bluetooth Based Home Automation And Security System Using Arm9 :**

*partitur lagu paduan suara gerejawi*

*pdf masaje terapeutico basico integracion de anatomia y*

**pathophysiology concepts of altered health states carol mattson porth 7th ed**

*pakistan studies geography o level notes*

*pearson education topic 9 test*

panasonic vf200 s

**oracle database 12c administration workshop**

*pediatric neonatal dosage handbook 19th edition*

**panorama 4th edition**

**pasando por el centro answers simidaore**

*padma reddy analysis and design of algorithms book*

optical fiber telecommunications iiiia volume 3a optics and photonics

*pathology made ridiculously simple 4shared*

*over 2 5 goals predictions and tips foregoal*

**pantera cowboys from hell guitar tab songbook**

**Bluetooth Based Home Automation And Security System Using Arm9 :**

**mcv4u mtsmath ca** - May 12 2023

web nelson calculus and vectors solutions manual review of prerequisite skills 6 1 6 1 an introduction to vectors 6 3

*chapter 2 ms ma s website* - Nov 06 2022

web calculus and vectors gr 11 macs functions advanced functions links contact chapter 2 derivatives section solutions

manual mcv4u ch 2 nelson solutions pdf file size 4349 kb file type pdf download file

**mr kennedy gloucester high school mcv4u textbook solutions** - Aug 15 2023

web mcv4u textbook solutions page history last edited by paul kennedy 9 years 7 months ago mcv4u chapter 1 solutions pdf

mcv4u chapter 6 solutions pdf mcv4u chapter 2 solutions pdf mcv4u chapter 7 solutions pdf mcv4u chapter 3 solutions pdf

mcv4u chapter 8 solutions pdf mcv4u chapter 4 solutions pdf mcv4u chapter 9

calculus and vectors solutions manual 9780176239831 nelson - Jan 28 2022

web buyable calculus the driving search manual 9780176239831 from nelson s virtual book storing

*solutions for nelson calculus and vectors 12th numerade* - Apr 11 2023

web step by step video answers explanations by expert educators for all nelson calculus and vectors 12th by chris kirkpatrick peter crippin only on numerade com get 5 free video unlocks on our app with code gomobile

*calculus and vectors solutions manual 9780176239831 nelson* - Mar 30 2022

web buy calculus press vectors search manual 9780176239831 from nelson s online book store

calculus and vectors solutions manual nelson z lib org pdf - Oct 05 2022

web calculus and vectors solutions manual nelson z lib org free ebook download as pdf file pdf text file txt or read book online for free

grade 12 nelson calculus vectors solutions - Dec 27 2021

web mar 4 2020 grade 12 nelson calculus vectors solutions pdf database id 2owjboe grade 12 nelson calculus vectors pdf file grade 12 nelson calculus vectors solutions 2owjboe 1 2 download now for free pdf

**calculus and vectors 12 nelson solution manual issuu** - Feb 26 2022

web aug 16 2017 get calculus and vectors 12 nelson solution manual pdf file for free from our online library this are a summary of resource articles related to calculus and vectors 12 nelson solution manual

**calculus and vectors solutions manual 9780176239831 nelson** - Jun 01 2022

web buy calculus and vectors solving manual 9780176239831 from nelson s online how saving

**calculus and vectors solutions manual nelson download on z** - Aug 03 2022

web calculus and vectors solutions manual nelson download on z library z library download books for free find books

chapter 6 ms ma s website - Jan 08 2023

web calculus and vectors gr 11 macs functions advanced functions links introduction to vectors section questions materials supplementary materials 6 1 6 8 6 17 kahoot chapter 6 and 7 solutions manual mcv4u ch 6 nelson solutions pdf file size 5408 kb file type pdf download file powered by create your own unique

*calculus appendix ms ma s website* - Sep 04 2022

web 1 the chain rule states that if  $y$  is a composite function then to differentiate an equation implicitly first differentiate both sides of the equation with respect to  $x$  using the chain rule for terms involving  $y$  then solve for  $\frac{dy}{dx}$  a b c d e f 3 a at the equation of the tangent at is at therefore the equation of the tangent to is b

**chapter 3 ms ma s website** - Jul 02 2022

web calculus and vectors gr 11 macs functions advanced functions links contact chapter 3 derivatives and their applications solutions manual mcv4u ch 3 nelson solutions pdf file size 3407 kb file type pdf download file

calculus and vectors 1st edition solutions and answers quizlet - Mar 10 2023

web at quizlet we re giving you the tools you need to take on any subject without having to carry around solutions manuals or printing out pdfs now with expert verified solutions from calculus and vectors 1st edition you ll learn

**chapter 7 applications of vectors ms ma s website** - Feb 09 2023

web calculus and vectors solutions manual7 1 c 1 1 0 d 5 a in the xy plane at the point x y b in the xz plane at the point x z c in the yz plane at the point y z 6 a b c d 7 a b c 7 1 vectors as forces pp 362 364 1

**calculus and vectors solutions manual 9780176239831 nelson** - Jun 13 2023

web aug 19 2008 buy calculus and vectors solutions manual 9780176239831 from nelson s online book store

*calculus and vectors ms ma s website* - Jul 14 2023

web calculus and vectors introduction to calculus chapter 8 chapter 6 relationships between points lines planes chapter 9 nelson calculus and vectors textbook corrections solutions manual appendix mcv4u solutions for appendix pdf file size 1441

kb file type pdf download file

calculus and vectors 12 nelson - Dec 07 2022

web calculus and vectors 12 hardcover 9780070126596 calculus and vectors 12 computerized assessment bank 9780070714694 calculus and vectors 12 solutions cd 9780070724198 calculus and vectors 12 study guide 5 pack 9780070724600

grade 12 calculus and vectors solutions manual title grade 12 - Apr 30 2022

web jul 8 2018 mrlinseman mcv4uw2013 calculus vectors grade 12 textbook solutions getwinrar to unpack manual 00 course outline feb calculus andvectors nelson education 2009

*la excepción y la regla proceso* - Dec 06 2022

web dec 25 2006 nacional por la redacción lunes 25 de diciembre de 2006 01 00 méxico d f 25 de diciembre apro dentro de lo que es conocido como su teatro didáctico bertold brecht 1898 1956

**la excepcion en la regla la obra historietistica pdf basikbushel** - Aug 02 2022

web la excepción en la regla pablo turnes 2020 01 15 indagar la obra de alberto breccia supone recorrer una serie de creaciones divididas entre encargos un trabajo a pedido y por un salario y los trabajos experimentales aquellos que tensionan los límites del lenguaje de la historieta sin salirse de ese mercado específico en esa

**la excepcion en la regla la obra historietistica 2022 old vulkk** - Mar 29 2022

web la excepcion en la regla la obra historietistica 1 la excepcion en la regla la obra historietistica inter american yearbook on human rights anuario interamericano de derechos humanos volume 25 2009 constante acoso de un grupo de niños a los que percibe como amenazantes seres marinos pero un buen día con la ayuda de la

*la excepción y la regla teatro madrid* - Jul 01 2022

web sinopsis la excepción y la regla nos acerca la expedición que emprende una comerciante extranjera junto a una guía y a una porteadora locales a quienes contrata para cruzar el desierto de Mongolia con el objetivo de descubrir unos pozos petrolíferos la carrera por llegar la primera dejando atrás a los competidores y la dureza del desierto se ven

**la excepción en la regla la obra historietística de alberto** - Sep 15 2023

web la excepción en la regla la obra historietística de alberto breccia historia del arte argentino y latinoamericano turnes pablo amazon com tr kitap

**la excepcion en la regla la obra historietistica** - May 31 2022

web this online statement la excepcion en la regla la obra historietistica can be one of the options to accompany you as soon as having further time it will not waste your time understand me the e book will totally express you further issue to read just invest little period to entrance this on line notice la excepcion en la regla la obra

**la excepcion en la regla la obra historietistica old syndeohro** - Mar 09 2023

web dormitorio se estaba convirtiendo en una batalla una que ninguno de los dos quería ganar en realidad teatro completo la excepcion dela regla the exception of the rule una pasión un sueño una isla y el reencuentro imprevisible de dos seres destinados a atraerse idaira es una mujer ambiciosa

**la excepcion en la regla la obra historietistica download** - Nov 05 2022

web la excepcion en la regla la obra historietistica 1 la excepcion en la regla la obra historietistica la excepción de la regla efectos políticos de las reglas electorales cuando la excepción es la regla la excepción y la regla teatro completo la regla de exclusión probatoria mil veranos contigo a thousand summers with you la medida teatro

la excepcion en la regla la obra historietistica copy - Jan 27 2022

web this online message la excepcion en la regla la obra historietistica can be one of the options to accompany you once having other time it will not waste your time put up with me the e book will unconditionally circulate you supplementary thing to read just invest little mature to right of entry this on line pronouncement la excepcion en la

**la excepción en la regla la obra historietística de alberto** - Aug 14 2023

web indagar la obra de alberto breccia supone recorrer una serie de creaciones divididas entre encargos un trabajo a pedido y por un salario y los trabajos experimentales aquellos que tensionan los límites del lenguaje de la historieta

la excepcion en la regla la obra historietistica basikbushel - Jun 12 2023

web la excepcion en la regla la obra historietistica nuevo mundo 1929 demócrito Aureo ignacio arellano 2014 04 16 este libro trata diversos aspectos de la risa desde su concepción teórica en distintos tratados de la época clásica y del humanismo europeo hasta su puesta en práctica en diversos géneros y autores de los siglos xvi y xvii

**la excepción en la regla la obra historietística de alberto** - Jul 13 2023

web la excepción en la regla la obra historietística de alberto breccia 1962 1993 7 historia del arte argentino y latinoamericano turnes pablo amazon es libros

**la excepción y la regla no todo lo que ocurre es lo que debiera** - Jan 07 2023

web la historia se cuenta en una sencilla pero eficaz escenografía diseñada por aylin vera tres conos truncados sobre ruedas que lo mismo sirven de estrado para el tribunal que de escabroso

*pdf la excepción en la regla by pablo turnes perlego* - May 11 2023

web la excepción en la regla 1st ed miño y dávila retrieved from perlego com book 1915397 la excepcin en la regla la obra historietstica de alberto breccia 19621993 pdf original work published 2020

la excepción y la regla time out madrid - Sep 03 2022

web la extraña compañía representa y disecciona la historia de una comerciante extranjera junto a una guía y porteadora locales de mongolia a las que contrata para curzar el desierto en busca de unos pozos petrolíferos en la dura carrera por llegar en primer lugar hasta esa riqueza prometida de oro negro vemos también la desconfianza el

**la excepcion en la regla la obra historietistica pdf** - Feb 08 2023

web la excepcion en la regla la obra historietistica 3 3 con la institucionalización con los individuos objeto por el lado de la regla y de la agencia la creatividad y los fenómenos de grupos sociales que se manejan a través de las características de las instituciones estalladas que estudio a través de la horizontalidad la transformatividad el

**la excepcion en la regla la obra historietistica api** - Oct 04 2022

web universos en el de la regla y en el de la excepción esta investigación tiene que ver con la costumbre con la institucionalización con los individuos objeto por el lado de la regla y de la agencia la creatividad y los fenómenos de grupos sociales que se manejan a través de las características de las

*la excepcion en la regla la obra historietistica dotnbm* - Feb 25 2022

web la excepcion en la regla la obra historietistica la excepcion en la regla la obra historietistica 3 3 ninguno de los dos quería ganar en realidad la excepción cultural alianza editorial sa fuerte y de apariencia superficial con un pasado marcado por la pobreza hace diez años comenzó una nueva vida lejos de su

*la excepcion en la regla la obra historietistica 2022 old vulkk* - Apr 29 2022

web la excepcion en la regla la obra historietistica 3 3 millonario de la minería damien wyatt vivía siguiendo una regla nunca más de una noche pero cuando harriet livingstone la mujer que había destrozado su coche deportivo apareció ante él en una entrevista su asombrosa belleza lo tentó así que le robó un beso y ella le borró la

*la excepcion en la regla la obra historietistica pdf* - Apr 10 2023

web 4 la excepcion en la regla la obra historietistica 2022 10 06 la obra de breccia y la presentan como un testimonio de sus

intentos de resolución y radicalización simultáneas tenemos así por un lado el devenir de una serie de situaciones y procesos dentro de la cultura popular argentina por otro los resultados de decisiones personales y

[comprehensive ophthalmology a k khurana aruj k khurana](#) - Jan 17 2023

web section iii diseases of eye this section covers important diseases of various structure components of the eyeball ocular adnexa and visual pathway in fourteen chapters section iv ocular therapeutics this section comprises two chapters one each on ocular pharmacology and lasers and cryotherapy in ophthalmology

[download ak khurana comprehensive ophthalmology pdf free](#) - Sep 13 2022

web may 24 2020 the links to ak khurana textbook of ophthalmology pdf format have been provided for free download below table of contents overview of ak khurana ophthalmology contents of comprehensive ophthalmology ak khurana section i anatomy physiology and diseases of the eye section ii practical

[ak khurana comprehensive ophthalmology pdf download direct](#) - May 21 2023

web contents of comprehensive ophthalmology ak khurana the free book has over 616 pages which include the 2 units beautifully relating the text to the practical knowledge the book is the standard book used in medical colleges and universities for their third year ophthalmology curriculum

[ak khurana ophthalmology comprehensive ophthalmology](#) - Jun 10 2022

web ak khurana ophthalmology comprehensive ophthalmology free download as pdf file pdf text file txt or read online for free scribd is the world s largest social reading and publishing site open navigation menu

[ophthalmology khurana google books](#) - Dec 16 2022

web ophthalmology khurana new age international 2003 ophthalmology 552 pages 8 reviews reviews aren t verified but google checks for and removes fake content when

[anatomy and physiology of eye a k khurana indu khurana](#) - Jul 11 2022

web nov 30 2021 a k khurana indu khurana cbs publishers distributors nov 30 2021 anatomy 514 pages this is an updated and thoroughly revised edition of a well established and a unique integrated

[theory and practice of optics and refraction khurana](#) - Oct 14 2022

web khurana elsevier india 2008 460 pages the second edition of theory and practice of optics and refraction has been thoroughly revised and updated keeping in mind the tremendous advances which

**comprehensive ophthalmology anna s archive** - May 09 2022

web the new edition of this comprehensive textbook is a complete guide to the diagnosis and management of ocular disorders the text has been reorganised into six key sections anatomy and physiology optics and refraction diseases of the eye and ocular adnexa ocular therapeutics systemic and community ophthalmology and practical

**khurana ophthalmology pdf latest edition free download** - Feb 06 2022

web jul 4 2022 follow the steps just click on the download button below wait for 3 to 4 seconds to load the pdf file after that you will get all previews of the pdf check your mobile or laptop space then click the download button which shows on the right side of the bar and then it automatically start downloading

comprehensive ophthalmology ak khurana no cost library - Aug 12 2022

web a full guide to the diagnosis and treatment of ocular conditions is the latest edition of this extensive textbook the text was reorganised into six main parts anatomy and physiology optics and refraction eye and ocular adnexed diseases ocular therapy systematic and community ophthalmology and functional ophthalmology

comprehensive ophthalmology a k khurana google books - Mar 19 2023

web a k khurana anshan 2008 eye 605 pages this book provides an excellent overview to the science of ophthalmology and will be a useful reference text both for undergraduates and

**comprehensive ophthalmology ak khurana google books** - Jul 23 2023

web jun 30 2019 the new edition of this comprehensive textbook is a complete guide to the diagnosis and management of ocular disorders the text has been reorganised into six key sections anatomy and

comprehensive ophthalmology khurana a k free download - Apr 20 2023

web ix 605 pages 25 cm includes bibliographical references and index anatomy and development of the eye physiology of eye and vision optics and refraction diseases of the conjunctiva diseases of the cornea diseases of the sclera diseases of the uveal tract diseases of the lens glaucoma diseases of the vitreous

*ak khurana comprehensive ophthalmology archive org* - Jun 22 2023

web mar 9 2021 english ak khurana comprehensive ophthalmology is one of the best book of ophthalmology which is used by the undergraduate medical students addeddate 2021 03 09 12 47 46 identifier ak khurana comprehensive ophthalmology identifier ark ark 13960 t04z5km72 ocr

comprehensive ophthalmology worldcat org - Nov 15 2022

web authors a k khurana aruj k khurana bhawna khurana summary the sixth edition has been thoroughly revised updated and reorganized into a new layout with six sections section i anatomy and physiology of eye includes two chapters

*comprehensive ophthalmology by ak khurana 9th edition* - Apr 08 2022

web section v systemic and community ophthalmology covers updated text on these topics in two chapters practical ophthalmology in the 9th edition has been compiled as a separate complementary book with the comprehensive ophthalmology it will serve as a handbook for use during clinical postings

**review of ophthalmology internet archive** - Mar 07 2022

web main feature of this book is that it is based on the khurana s comprehensive ophthalmology a textbook which is used by most of the students during their graduation course provides a means for quick text revision and self assessment to the medical students preparing for

[comprehensive ophthalmology by a k khurana 9e 2023](#) - Jan 05 2022

web description cbme curriculum the eighth edition has been updated and based on the competency based medical education curriculum nmc organization and layout of the book text is arranged in six sections various topics have been linked with appropriate competencies as per the cbme curriculum

[ak khurana textbook of ophthalmology pdf download](#) - Aug 24 2023

web jan 28 2018 ak khurana ophthalmology pdf book the free book has over 616 pages which include the 2 units beautifully relating the text to practical knowledge the book is the standard book used in medical colleges and universities

[comprehensive ophthalmology with supplementary book](#) - Feb 18 2023

web aug 31 2015 ak khurana jp medical ltd aug 31 2015 medical 634 pages the sixth edition has been thoroughly revised updated and reorganized into a new layout with six sections section i anatomy and physiology of eye includes two chapters