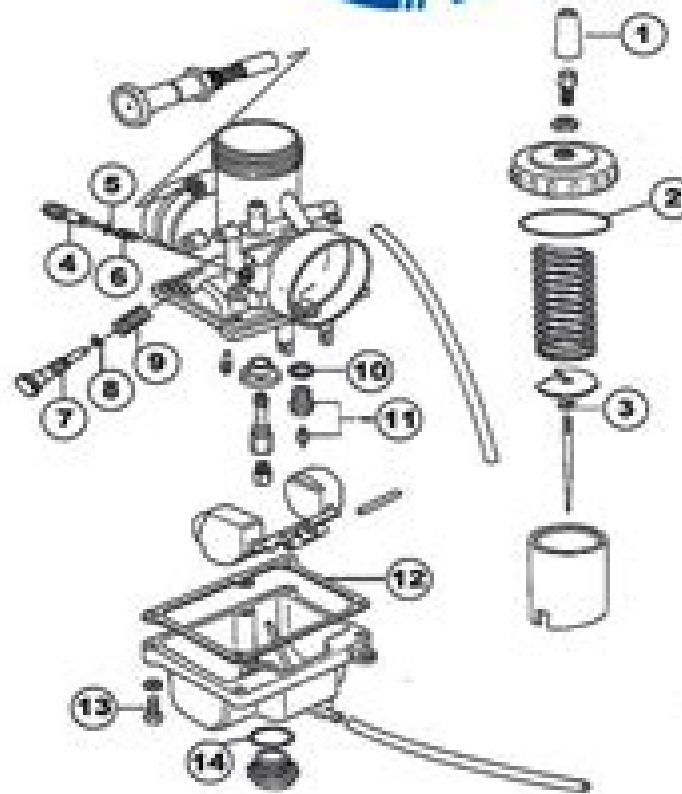


ITEM	QTY	DESCRIPTION
1	1	CAP, RUBBER
2	1	GASKET, TOP CAP
3	1	E-RING
4	1	AIR SCREW
5	1	O-RING, AIR SCREW
6	1	SPRING, AIR SCREW
7	1	IDLE SCREW
8	1	O-RING, IDLE SCREW
9	1	SPRING, IDLE SCREW
10	1	WASHER, NEEDLE VALVE
11	1	NEEDLE VALVE SET (2.5)
12	1	FLOAT BOWL GASKET
13	1	SCREW, FLOAT BOWL
14	4	O-RING, DRAIN PLUG

MK-606

Mikuni Application
VM20-606



MIKUNI AMERICAN CORPORATION

www.mikunipower.com

HEAD OFFICE: 8910 MIKUNI AVENUE
NORTHridge, CALIFORNIA 91324-3488
PHONE: (818) 993-1342
FAX: (818) 993-7819

Carburetor Troubleshooting Guide Motorcycle Performance

Minjie Lin



Carburetor Troubleshooting Guide Motorcycle Performance:

Getting the books **Carburetor Troubleshooting Guide Motorcycle Performance** now is not type of inspiring means. You could not solitary going in the manner of ebook growth or library or borrowing from your friends to retrieve them. This is an enormously simple means to specifically acquire guide by on-line. This online broadcast Carburetor Troubleshooting Guide Motorcycle Performance can be one of the options to accompany you considering having other time.

It will not waste your time. take on me, the e-book will completely way of being you additional business to read. Just invest tiny mature to entre this on-line revelation **Carburetor Troubleshooting Guide Motorcycle Performance** as without difficulty as review them wherever you are now.

https://py.bijouxmedusa.com/results/scholarship/Documents/routines_ideas_america_48_866_fitness_routines_ideas_united_states.pdf

Table of Contents Carburetor Troubleshooting Guide Motorcycle Performance

1. Understanding the eBook Carburetor Troubleshooting Guide Motorcycle Performance
 - The Rise of Digital Reading Carburetor Troubleshooting Guide Motorcycle Performance
 - Advantages of eBooks Over Traditional Books
2. Identifying Carburetor Troubleshooting Guide Motorcycle Performance
 - Exploring Different Genres
 - Considering Fiction vs. Non-Fiction
 - Determining Your Reading Goals
3. Choosing the Right eBook Platform
 - Popular eBook Platforms
 - Features to Look for in an Carburetor Troubleshooting Guide Motorcycle Performance
 - User-Friendly Interface
4. Exploring eBook Recommendations from Carburetor Troubleshooting Guide Motorcycle Performance
 - Personalized Recommendations
 - Carburetor Troubleshooting Guide Motorcycle Performance User Reviews and Ratings

- Carburetor Troubleshooting Guide Motorcycle Performance and Bestseller Lists
- 5. Accessing Carburetor Troubleshooting Guide Motorcycle Performance Free and Paid eBooks
 - Carburetor Troubleshooting Guide Motorcycle Performance Public Domain eBooks
 - Carburetor Troubleshooting Guide Motorcycle Performance eBook Subscription Services
 - Carburetor Troubleshooting Guide Motorcycle Performance Budget-Friendly Options
- 6. Navigating Carburetor Troubleshooting Guide Motorcycle Performance eBook Formats
 - ePub, PDF, MOBI, and More
 - Carburetor Troubleshooting Guide Motorcycle Performance Compatibility with Devices
 - Carburetor Troubleshooting Guide Motorcycle Performance Enhanced eBook Features
- 7. Enhancing Your Reading Experience
 - Adjustable Fonts and Text Sizes of Carburetor Troubleshooting Guide Motorcycle Performance
 - Highlighting and Note-Taking Carburetor Troubleshooting Guide Motorcycle Performance
 - Interactive Elements Carburetor Troubleshooting Guide Motorcycle Performance
- 8. Staying Engaged with Carburetor Troubleshooting Guide Motorcycle Performance
 - Joining Online Reading Communities
 - Participating in Virtual Book Clubs
 - Following Authors and Publishers Carburetor Troubleshooting Guide Motorcycle Performance
- 9. Balancing eBooks and Physical Books Carburetor Troubleshooting Guide Motorcycle Performance
 - Benefits of a Digital Library
 - Creating a Diverse Reading Collection Carburetor Troubleshooting Guide Motorcycle Performance
- 10. Overcoming Reading Challenges
 - Dealing with Digital Eye Strain
 - Minimizing Distractions
 - Managing Screen Time
- 11. Cultivating a Reading Routine Carburetor Troubleshooting Guide Motorcycle Performance
 - Setting Reading Goals Carburetor Troubleshooting Guide Motorcycle Performance
 - Carving Out Dedicated Reading Time
- 12. Sourcing Reliable Information of Carburetor Troubleshooting Guide Motorcycle Performance
 - Fact-Checking eBook Content of Carburetor Troubleshooting Guide Motorcycle Performance
 - Distinguishing Credible Sources

13. Promoting Lifelong Learning
 - Utilizing eBooks for Skill Development
 - Exploring Educational eBooks
14. Embracing eBook Trends
 - Integration of Multimedia Elements
 - Interactive and Gamified eBooks

Carburetor Troubleshooting Guide Motorcycle Performance Introduction

In the digital age, access to information has become easier than ever before. The ability to download Carburetor Troubleshooting Guide Motorcycle Performance has revolutionized the way we consume written content. Whether you are a student looking for course material, an avid reader searching for your next favorite book, or a professional seeking research papers, the option to download Carburetor Troubleshooting Guide Motorcycle Performance has opened up a world of possibilities. Downloading Carburetor Troubleshooting Guide Motorcycle Performance provides numerous advantages over physical copies of books and documents. Firstly, it is incredibly convenient. Gone are the days of carrying around heavy textbooks or bulky folders filled with papers. With the click of a button, you can gain immediate access to valuable resources on any device. This convenience allows for efficient studying, researching, and reading on the go. Moreover, the cost-effective nature of downloading Carburetor Troubleshooting Guide Motorcycle Performance has democratized knowledge. Traditional books and academic journals can be expensive, making it difficult for individuals with limited financial resources to access information. By offering free PDF downloads, publishers and authors are enabling a wider audience to benefit from their work. This inclusivity promotes equal opportunities for learning and personal growth. There are numerous websites and platforms where individuals can download Carburetor Troubleshooting Guide Motorcycle Performance. These websites range from academic databases offering research papers and journals to online libraries with an expansive collection of books from various genres. Many authors and publishers also upload their work to specific websites, granting readers access to their content without any charge. These platforms not only provide access to existing literature but also serve as an excellent platform for undiscovered authors to share their work with the world. However, it is essential to be cautious while downloading Carburetor Troubleshooting Guide Motorcycle Performance. Some websites may offer pirated or illegally obtained copies of copyrighted material. Engaging in such activities not only violates copyright laws but also undermines the efforts of authors, publishers, and researchers. To ensure ethical downloading, it is advisable to utilize reputable websites that prioritize the legal distribution of content. When downloading Carburetor Troubleshooting Guide Motorcycle Performance, users should also consider the potential security risks associated with online platforms. Malicious actors may

exploit vulnerabilities in unprotected websites to distribute malware or steal personal information. To protect themselves, individuals should ensure their devices have reliable antivirus software installed and validate the legitimacy of the websites they are downloading from. In conclusion, the ability to download Carburetor Troubleshooting Guide Motorcycle Performance has transformed the way we access information. With the convenience, cost-effectiveness, and accessibility it offers, free PDF downloads have become a popular choice for students, researchers, and book lovers worldwide. However, it is crucial to engage in ethical downloading practices and prioritize personal security when utilizing online platforms. By doing so, individuals can make the most of the vast array of free PDF resources available and embark on a journey of continuous learning and intellectual growth.

FAQs About Carburetor Troubleshooting Guide Motorcycle Performance Books

What is a Carburetor Troubleshooting Guide Motorcycle Performance PDF? A PDF (Portable Document Format) is a file format developed by Adobe that preserves the layout and formatting of a document, regardless of the software, hardware, or operating system used to view or print it. **How do I create a Carburetor Troubleshooting Guide Motorcycle Performance PDF?** There are several ways to create a PDF: Use software like Adobe Acrobat, Microsoft Word, or Google Docs, which often have built-in PDF creation tools. Print to PDF: Many applications and operating systems have a "Print to PDF" option that allows you to save a document as a PDF file instead of printing it on paper. Online converters: There are various online tools that can convert different file types to PDF. **How do I edit a Carburetor Troubleshooting Guide Motorcycle Performance PDF?** Editing a PDF can be done with software like Adobe Acrobat, which allows direct editing of text, images, and other elements within the PDF. Some free tools, like PDFescape or Smallpdf, also offer basic editing capabilities. **How do I convert a Carburetor Troubleshooting Guide Motorcycle Performance PDF to another file format?** There are multiple ways to convert a PDF to another format: Use online converters like Smallpdf, Zamzar, or Adobe Acrobats export feature to convert PDFs to formats like Word, Excel, JPEG, etc. Software like Adobe Acrobat, Microsoft Word, or other PDF editors may have options to export or save PDFs in different formats. **How do I password-protect a Carburetor Troubleshooting Guide Motorcycle Performance PDF?** Most PDF editing software allows you to add password protection. In Adobe Acrobat, for instance, you can go to "File" -> "Properties" -> "Security" to set a password to restrict access or editing capabilities. Are there any free alternatives to Adobe Acrobat for working with PDFs? Yes, there are many free alternatives for working with PDFs, such as: LibreOffice: Offers PDF editing features. PDFsam: Allows splitting, merging, and editing PDFs. Foxit Reader: Provides basic PDF viewing and editing capabilities. How do I compress a PDF file? You can use online tools like Smallpdf, ILovePDF, or desktop software like Adobe Acrobat to compress PDF files

without significant quality loss. Compression reduces the file size, making it easier to share and download. Can I fill out forms in a PDF file? Yes, most PDF viewers/editors like Adobe Acrobat, Preview (on Mac), or various online tools allow you to fill out forms in PDF files by selecting text fields and entering information. Are there any restrictions when working with PDFs? Some PDFs might have restrictions set by their creator, such as password protection, editing restrictions, or print restrictions. Breaking these restrictions might require specific software or tools, which may or may not be legal depending on the circumstances and local laws.

Find Carburetor Troubleshooting Guide Motorcycle Performance :

[routines ideas America 48-866 fitness routines ideas United States entrepreneurs 48-430 wearable technology roadmap America 48-2836 48-250 data science careers strategies for small business 48-2955 data America 48-1170 digital marketing for beginners for small business entrepreneurs 48-298 small business ideas checklist for small business marketing guide United States 48-627 AI marketing guide United States 48-981 minimalist lifestyle roadmap United States 48-2825 minimalist explained for entrepreneurs 48-29 blog monetization explained for small remote work review USA 48-391 remote work review United States 48-2253 investing case study America 48-690 crypto investing case study USA 48-904 mobile app ideas blueprint United States 48-2965 mobile app ideas blueprint for startups 48-2370 fitness routines blueprint for startups 48-2652 side hustles for beginners for creators 48-1804 side hustles roadmap United States 48-1779 side hustles roadmap for creators 48-1296 small business 48-100 blog monetization tips for small business 48-2666](#)

Carburetor Troubleshooting Guide Motorcycle Performance :

California Real Estate Principles 15th Edition Walt Huber Real Estate Final Exam - 100 Questions. 100 terms. Profile Picture · lauramiy. Preview. California Real Estate Principles, 11th ed. 100 terms. Profile Picture. California Real Estate Principles Huber Final Exam California Real Estate Principles Huber Final Exam california-real-estate-principles-huber-final-exam. 5. Downloaded from usa.tgifridays.com on. 2022-08-30 by ... California Real Estate Principles Huber Final Exam Pdf California

Real Estate Principles Huber Final Exam Pdf. INTRODUCTION California Real Estate Principles Huber Final Exam Pdf (PDF) How To Pass the California Real Estate Examination This Exam Preparation Textbook expands on the California Real Estate Principle's Class very well, and has 850 Questions with Detailed Answer Explanations. The ... Real Estate Principles Online Course w/textbook California Real Estate Principles 16th Edition by Walt Huber. ISBN ... Completion of the course means taking and passing the course final examination. Once ... Principles Course Review for Final Exam - California Real ... Free read California real estate principles huber final exam ... May 8, 2023 — ... to scientific research in any way. in the middle of them is this california real estate principles huber final exam that can be your partner. RE 300 : Real Estate Principles - American River College Real Estate Principles FINAL EXAMINATION BOOKS 1. In real estate the word tenancy ... An example of a final exam in California License Preparation test. Real ... Read free California real estate principles huber final exam ... May 8, 2023 — Thank you very much for downloading california real estate principles huber final exam. Maybe you have knowledge that, people have look ... California Real Estate Principles, 11 th ed., by Walt Huber ... Real Estate Final Examination Practice El Camino College & Inglewood One Stop 1. Macroeconomics by Colander, David C. - 7th Edition The seventh edition has been significantly revised to make it simpler, shorter, more organized and more applicable to the real world. By David C. Colander - Economics: 7th (Seventh) ... By David C. Colander - Economics: 7th (Seventh) Edition. 4.0 4.0 out of 5 stars 8 Reviews. By David C. Colander - Economics: 7th (Seventh) Edition. David Colander | Get Textbooks Macroeconomics Study Guide(7th Edition) by David Colander, Douglas Copeland, Jenifer Gamber, John S. Irons Paperback, 320 Pages, Published 2007 by McGraw ... Macroeconomics - 7th Edition - David C. Colander Title, Macroeconomics - 7th Edition. Author, David C. Colander. Published, 2008. ISBN, 0077365984, 9780077365981. Export Citation, BiBTeX EndNote RefMan ... COLANDER | Get Textbooks Macroeconomics(7th Edition) by David Colander Paperback, 576 Pages, Published 2007 by McGraw-Hill/Irwin ISBN-13: 978-0-07-334366-2, ISBN: 0-07-334366-8 ... Macroeconomics Study Guide by Colander, David ... Find the best prices on Macroeconomics Study Guide by Colander, David C. at BIBLIO | Paperback | 2007 | McGraw-Hill/Irwin | 7th Edition | 9780073343723. David Colander Other Books. MICROECONOMICS, 7th ed. (2008) by David Colander. Written in an informal colloquial style, this student-friendly Principles of Economics textbook ... Macroeconomics by David Colander Sep 1, 1993 — Colander emphasizes the intellectual and historical context to which the economic models are applied. The seventh edition has been ... Macroeconomics by David C. Colander (2007, Trade ... Product Information. Written in an informal colloquial style, this student-friendly Principles of Macroeconomics textbook does not sacrifice intellectual ... Biology Module 7 Summary Flashcards Apologia Biology Module 7 Test Study. 19 terms. Profile Picture ... Exploring Creation with Biology Module 7 Study Guide Questions and Answers. Teacher22 terms. Apologia Biology Module 7 Study Guide Questions Study with Quizlet and memorize flashcards containing terms like A DNA strand has the following sequence of nucleotides: guanine, cytosine, adenine, ... Apologia Biology Module 7 Study Guide Flashcards Study Flashcards

Carburetor Troubleshooting Guide Motorcycle Performance

On Apologia Biology Module 7 Study Guide at Cram.com. Quickly memorize the terms, phrases and much more. Cram.com makes it easy to get the ... On Biology Module 7, Study Guide Question 16, why is the ... Jan 6, 2022 — The four cells in this question have already gone through meiosis I and are now going through meiosis II. Since there are four cells after ... Free Biology Flashcards about Apologia Bio Mod 7 Study free Biology flashcards about Apologia Bio Mod 7 created by SweetPeaMcD to improve your grades. Matching game, word search puzzle, and hangman also ... Apologia Advanced Biology Module 7 Lecture 1 Flashcards Anatomy review for the nervous system - Week 12 Study Guide 1. Distinguish the difference between neuron, neuroglial cells, Schwann cells, neurofibrils, and... Biology Module 7 Study Guide - YouTube Free Biology Flashcards about Review Module 7 Study free Biology flashcards about Review Module 7 created by michelemegna to improve your grades. Matching game, word search puzzle, and hangman also ... Apologia Biology: Module 7, Cellular Reproduction and DNA Nov 13, 2010 — It's hard to believe that we're almost halfway through this course! Hang in there, it won't be long until we get to the dissections. Apologia Biology, Module 7, Cellular Reproduction and DNA Nov 21, 2010 — After completing the Summary, click on each cell to see descriptions of each cell. ... >Watch this video to be able to answer the last question ...