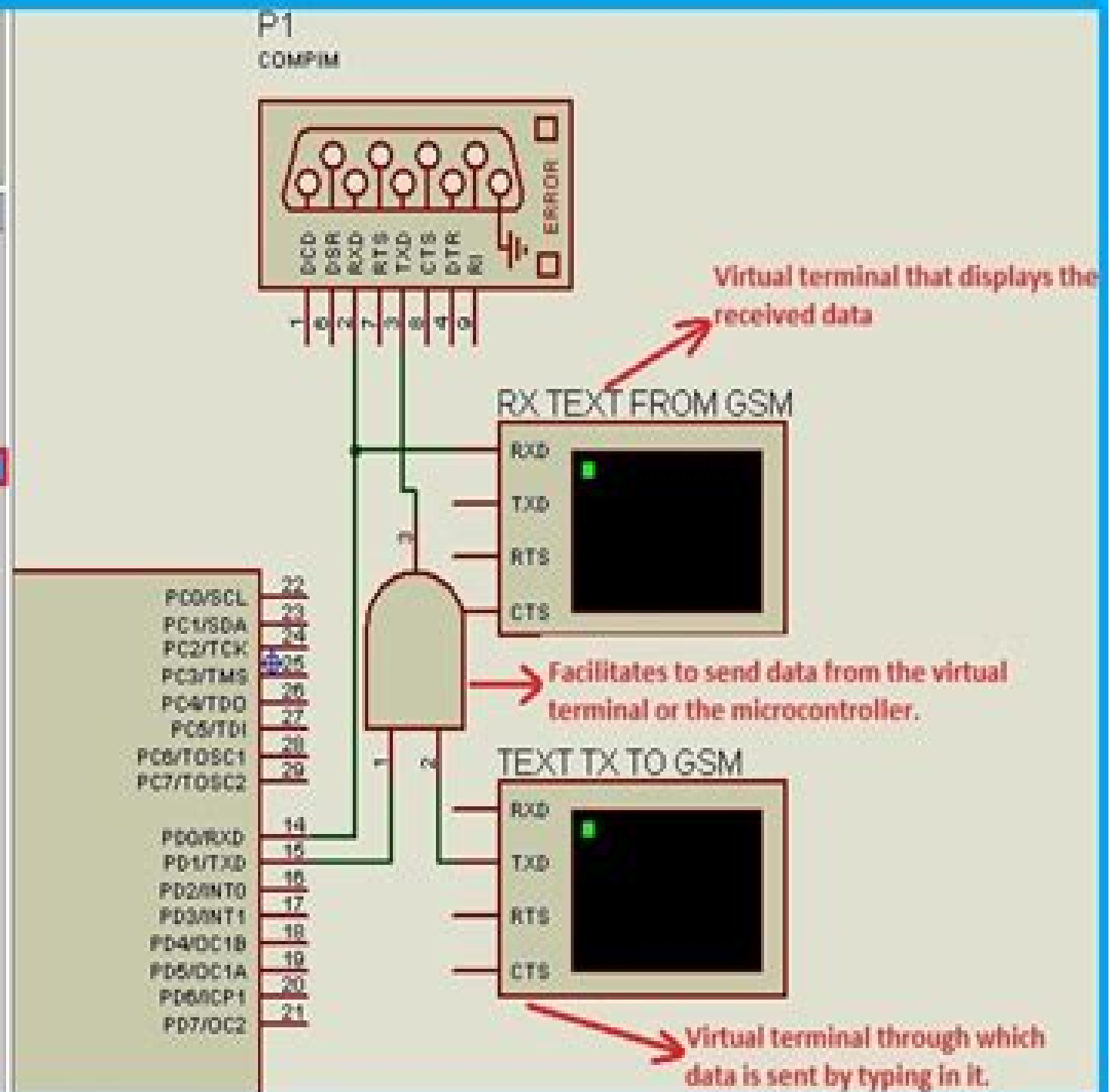


The screenshot shows the Proteus software interface. On the left is a toolbar with various icons. Below it is a component library window with a 'PL' tab selected. The library lists several components, with 'COMPIM' highlighted in blue. A red box highlights the 'Virtual terminal' icon in the toolbar.

**Virtual terminal is in this tab**



# Interfacing Gsm Module Using Proteus Simulation Software

**Rachel S Tattersall**



## **Interfacing Gsm Module Using Proteus Simulation Software:**

*Mobile Computing Techniques in Emerging Markets: Systems, Applications and Services* Kumar, A.V. Senthil,Rahman, Hakikur,2012-01-31 This book provides the latest research and best practices in the field of mobile computing offering theoretical and pragmatic viewpoints on mobile computing Provided by publisher

*Integrated Green Energy Solutions, Volume 1* Milind Shrinivas Dangate,W. S. Sampath,O. V. Gnana Swathika,Sanjeevikumar Padmanaban,2023-05-12

INTEGRATED GREEN ENERGY SOLUTIONS This first volume in a two volume set presents the state of the art for the concepts practical applications and future of renewable energy and how to move closer to true sustainability Renewable energy supplies are of ever increasing environmental and economic importance in every country worldwide A wide range of renewable energy technologies has been established commercially and recognized as an important set of growth industries for most governments World agencies including the United Nations have extensive programs to encourage these emerging technologies This book will bridge the gap between descriptive reviews and specialized engineering technologies It centers on demonstrating how fundamental physical processes govern renewable energy resources and their applications Although the applications are updated continually the fundamental principles remain the same and this book will provide a useful platform for those advancing the subject and its industries Integrated Resilient Energy Solutions is a two volume set covering subjects of proven technical and economic importance worldwide Energy supply from renewables is an essential component of every nation s strategy especially when there is responsibility for the environment and sustainability These two volumes will consider the timeless renewable energy technologies principles yet demonstrate modern applications and case studies Whether for the veteran engineer student or other professional these two volumes are a must have for any library

*Advances of Science and Technology* Mulatu Liyew Berihun,2022-01-01 This two volume set of LNICST 411 and 412 constitutes the refereed post conference proceedings of the 9th International Conference on Advancement of Science and Technology ICAST 2021 which took place in August 2021 Due to COVID 19 pandemic the conference was held virtually The 80 revised full papers were carefully reviewed and selected from 202 submissions The papers present economic and technologic developments in modern societies in 7 tracks Chemical Food and Bioprocess Engineering Electrical and Electronics Engineering ICT Software and Hardware Engineering Civil Water Resources and Environmental Engineering ICT Mechanical and Industrial Engineering Material Science and Engineering Energy Science Engineering and Policy

Advanced Computational Paradigms and Hybrid Intelligent Computing Tapan Kumar Gandhi,Debanjan Konar,Biswaraj Sen,Kalpna Sharma,2021-12-06 This book presents high quality peer reviewed papers from the Third International Conference on Advanced Computational and Communication Paradigms ICACCP 2021 organized by Department of Computer Science and Engineering CSE Sikkim Manipal Institute of Technology SMIT Sikkim India during 22 24 March 2021 ICACCP 2021 covers an advanced computational paradigms and communications technique which provides failsafe and robust

solutions to the emerging problems faced by mankind Technologists scientists industry professionals and research scholars from regional national and international levels are invited to present their original unpublished work in this conference

*Green Internet of Things Sensor Networks* Adamu Murtala Zungeru, Joseph M. Chuma, Caspar K. Lebekwe, Pendukeni Phalaagae, Jwaone Gaboitaolelwe, 2020-10-14 This book presents methods for advancing green IoT sensor networks and IoT devices Three main methods presented are a standalone system to support IoT devices that is informed by the amount of energy the solar array system can produce a model of securing a building's main power supply against unauthorized use and security of the IoT devices and their networks For each the authors outline the methods presents security and privacy issues and their solutions The work suggests a layered approach to expose security issues and challenges at each layer of the IoT architecture and proposes techniques used to mitigate these challenges Finally perspectives are drawn and discussed for future directions in securing IoT sensor networks covering evolving areas such as artificial intelligence blockchain

technology sensor Internet of People context aware sensing cloud infrastructure security and privacy and the Internet of Everything

**Information and Communication Technology and Applications** Sanjay Misra, Bilkisu Muhammad-Bello, 2021-02-13 This book constitutes revised selected papers from the Third International Conference on Information and Communication Technology and Applications ICTA 2020 held in Minna Nigeria in November 2020 Due to the COVID 19 pandemic the conference was held online The 67 full papers were carefully reviewed and selected from 234 submissions The papers are organized in the topical sections on Artificial Intelligence Big Data and Machine Learning Information Security Privacy and Trust Information Science and Technology

**Virtual and Mobile Healthcare: Breakthroughs in Research and Practice** Management Association, Information Resources, 2019-09-06 One of the primary topics at the center of discussion and very often debate between industry professionals government officials and the general public is the current healthcare system and the potential for an overhaul of its processes and services Many organizations concerned for the long term care of patients wish to see new strategies practices and organizational tools developed to optimize healthcare systems all over the world One of the central engines of the current shift toward reorientation of healthcare services is virtual and mobile healthcare Virtual and Mobile Healthcare Breakthroughs in Research and Practice explores the trends challenges and issues related to the emergence of mobile and virtual healthcare The book also examines how mobile technologies can best be used for the benefit of both doctors and their patients Highlighting a range of topics such as smart healthcare electronic health records and m health this publication is an ideal reference source for medical professionals healthcare administrators doctors nurses practitioners and researchers in all areas of the medical field

**Interfacing PIC Microcontrollers** Martin Bates, 2006 This book is an essential guide to PIC interfacing techniques using circuit simulation to aid learning Features explore in detail microcontroller interfacing techniques using the popular PIC 16F877 work through step by step examples interactively using circuit simulation software

supplied as assembly source code gain the knowledge of a wide range of peripheral devices such as keyboards displays sensors and drives and serial communication with other processors memory and more use interactive simulation software to design and test circuits Interfacing PIC microcontrollers provides a thorough introduction to interfacing techniques for students hobbyists and engineers looking to take their knowledge of PIC application development to the next level Each chapter ends with suggestions for further applications based on the examples given and numerous line drawings illustrate application of the hardware back cover Interfacing PIC Microcontrollers, 2nd Edition Martin Bates,2013 Interfacing PIC Microcontrollers 2nd Edition is a great introductory text for those starting out in this field and as a source reference for more experienced engineers Martin Bates has drawn upon 20 years of experience of teaching microprocessor systems to produce a book containing an excellent balance of theory and practice with numerous working examples throughout It provides comprehensive coverage of basic microcontroller system interfacing using the latest interactive software Proteus VSM which allows real time simulation of microcontroller based designs and supports the development of new applications from initial concept to final testing and deployment Comprehensive introduction to interfacing 8 bit PIC microcontrollers Designs updated for current software versions MPLAB v8 Proteus VSM v8 Additional applications in wireless communications intelligent sensors and more

Embark on a transformative journey with Explore the World with its captivating work, **Interfacing Gsm Module Using Proteus Simulation Software** . This enlightening ebook, available for download in a convenient PDF format PDF Size: , invites you to explore a world of boundless knowledge. Unleash your intellectual curiosity and discover the power of words as you dive into this riveting creation. Download now and elevate your reading experience to new heights .

[https://py.bijouxmedusa.com/About/uploaded-files/index.jsp/17\\_1909\\_Weight\\_Loss\\_Trends\\_America\\_17\\_2213\\_Weight\\_Loss\\_Trends\\_USA\\_17\\_971.pdf](https://py.bijouxmedusa.com/About/uploaded-files/index.jsp/17_1909_Weight_Loss_Trends_America_17_2213_Weight_Loss_Trends_USA_17_971.pdf)

## **Table of Contents Interfacing Gsm Module Using Proteus Simulation Software**

1. Understanding the eBook Interfacing Gsm Module Using Proteus Simulation Software
  - The Rise of Digital Reading Interfacing Gsm Module Using Proteus Simulation Software
  - Advantages of eBooks Over Traditional Books
2. Identifying Interfacing Gsm Module Using Proteus Simulation Software
  - Exploring Different Genres
  - Considering Fiction vs. Non-Fiction
  - Determining Your Reading Goals
3. Choosing the Right eBook Platform
  - Popular eBook Platforms
  - Features to Look for in an Interfacing Gsm Module Using Proteus Simulation Software
  - User-Friendly Interface
4. Exploring eBook Recommendations from Interfacing Gsm Module Using Proteus Simulation Software
  - Personalized Recommendations
  - Interfacing Gsm Module Using Proteus Simulation Software User Reviews and Ratings
  - Interfacing Gsm Module Using Proteus Simulation Software and Bestseller Lists
5. Accessing Interfacing Gsm Module Using Proteus Simulation Software Free and Paid eBooks
  - Interfacing Gsm Module Using Proteus Simulation Software Public Domain eBooks
  - Interfacing Gsm Module Using Proteus Simulation Software eBook Subscription Services

- Interfacing Gsm Module Using Proteus Simulation Software Budget-Friendly Options
- 6. Navigating Interfacing Gsm Module Using Proteus Simulation Software eBook Formats
  - ePub, PDF, MOBI, and More
  - Interfacing Gsm Module Using Proteus Simulation Software Compatibility with Devices
  - Interfacing Gsm Module Using Proteus Simulation Software Enhanced eBook Features
- 7. Enhancing Your Reading Experience
  - Adjustable Fonts and Text Sizes of Interfacing Gsm Module Using Proteus Simulation Software
  - Highlighting and Note-Taking Interfacing Gsm Module Using Proteus Simulation Software
  - Interactive Elements Interfacing Gsm Module Using Proteus Simulation Software
- 8. Staying Engaged with Interfacing Gsm Module Using Proteus Simulation Software
  - Joining Online Reading Communities
  - Participating in Virtual Book Clubs
  - Following Authors and Publishers Interfacing Gsm Module Using Proteus Simulation Software
- 9. Balancing eBooks and Physical Books Interfacing Gsm Module Using Proteus Simulation Software
  - Benefits of a Digital Library
  - Creating a Diverse Reading Collection Interfacing Gsm Module Using Proteus Simulation Software
- 10. Overcoming Reading Challenges
  - Dealing with Digital Eye Strain
  - Minimizing Distractions
  - Managing Screen Time
- 11. Cultivating a Reading Routine Interfacing Gsm Module Using Proteus Simulation Software
  - Setting Reading Goals Interfacing Gsm Module Using Proteus Simulation Software
  - Carving Out Dedicated Reading Time
- 12. Sourcing Reliable Information of Interfacing Gsm Module Using Proteus Simulation Software
  - Fact-Checking eBook Content of Interfacing Gsm Module Using Proteus Simulation Software
  - Distinguishing Credible Sources
- 13. Promoting Lifelong Learning
  - Utilizing eBooks for Skill Development
  - Exploring Educational eBooks
- 14. Embracing eBook Trends

- Integration of Multimedia Elements
- Interactive and Gamified eBooks

### **Interfacing Gsm Module Using Proteus Simulation Software Introduction**

In today's digital age, the availability of Interfacing Gsm Module Using Proteus Simulation Software books and manuals for download has revolutionized the way we access information. Gone are the days of physically flipping through pages and carrying heavy textbooks or manuals. With just a few clicks, we can now access a wealth of knowledge from the comfort of our own homes or on the go. This article will explore the advantages of Interfacing Gsm Module Using Proteus Simulation Software books and manuals for download, along with some popular platforms that offer these resources. One of the significant advantages of Interfacing Gsm Module Using Proteus Simulation Software books and manuals for download is the cost-saving aspect. Traditional books and manuals can be costly, especially if you need to purchase several of them for educational or professional purposes. By accessing Interfacing Gsm Module Using Proteus Simulation Software versions, you eliminate the need to spend money on physical copies. This not only saves you money but also reduces the environmental impact associated with book production and transportation. Furthermore, Interfacing Gsm Module Using Proteus Simulation Software books and manuals for download are incredibly convenient. With just a computer or smartphone and an internet connection, you can access a vast library of resources on any subject imaginable. Whether you're a student looking for textbooks, a professional seeking industry-specific manuals, or someone interested in self-improvement, these digital resources provide an efficient and accessible means of acquiring knowledge. Moreover, PDF books and manuals offer a range of benefits compared to other digital formats. PDF files are designed to retain their formatting regardless of the device used to open them. This ensures that the content appears exactly as intended by the author, with no loss of formatting or missing graphics. Additionally, PDF files can be easily annotated, bookmarked, and searched for specific terms, making them highly practical for studying or referencing. When it comes to accessing Interfacing Gsm Module Using Proteus Simulation Software books and manuals, several platforms offer an extensive collection of resources. One such platform is Project Gutenberg, a nonprofit organization that provides over 60,000 free eBooks. These books are primarily in the public domain, meaning they can be freely distributed and downloaded. Project Gutenberg offers a wide range of classic literature, making it an excellent resource for literature enthusiasts. Another popular platform for Interfacing Gsm Module Using Proteus Simulation Software books and manuals is Open Library. Open Library is an initiative of the Internet Archive, a non-profit organization dedicated to digitizing cultural artifacts and making them accessible to the public. Open Library hosts millions of books, including both public domain works and contemporary titles. It also allows users to borrow digital copies of certain books for a limited period, similar to a library lending system. Additionally, many universities and educational institutions have their own digital

libraries that provide free access to PDF books and manuals. These libraries often offer academic texts, research papers, and technical manuals, making them invaluable resources for students and researchers. Some notable examples include MIT OpenCourseWare, which offers free access to course materials from the Massachusetts Institute of Technology, and the Digital Public Library of America, which provides a vast collection of digitized books and historical documents. In conclusion, Interfacing Gsm Module Using Proteus Simulation Software books and manuals for download have transformed the way we access information. They provide a cost-effective and convenient means of acquiring knowledge, offering the ability to access a vast library of resources at our fingertips. With platforms like Project Gutenberg, Open Library, and various digital libraries offered by educational institutions, we have access to an ever-expanding collection of books and manuals. Whether for educational, professional, or personal purposes, these digital resources serve as valuable tools for continuous learning and self-improvement. So why not take advantage of the vast world of Interfacing Gsm Module Using Proteus Simulation Software books and manuals for download and embark on your journey of knowledge?

### FAQs About Interfacing Gsm Module Using Proteus Simulation Software Books

**What is a Interfacing Gsm Module Using Proteus Simulation Software PDF?** A PDF (Portable Document Format) is a file format developed by Adobe that preserves the layout and formatting of a document, regardless of the software, hardware, or operating system used to view or print it. **How do I create a Interfacing Gsm Module Using Proteus Simulation Software PDF?** There are several ways to create a PDF: Use software like Adobe Acrobat, Microsoft Word, or Google Docs, which often have built-in PDF creation tools. Print to PDF: Many applications and operating systems have a "Print to PDF" option that allows you to save a document as a PDF file instead of printing it on paper. Online converters: There are various online tools that can convert different file types to PDF. **How do I edit a Interfacing Gsm Module Using Proteus Simulation Software PDF?** Editing a PDF can be done with software like Adobe Acrobat, which allows direct editing of text, images, and other elements within the PDF. Some free tools, like PDFescape or Smallpdf, also offer basic editing capabilities. **How do I convert a Interfacing Gsm Module Using Proteus Simulation Software PDF to another file format?** There are multiple ways to convert a PDF to another format: Use online converters like Smallpdf, Zamzar, or Adobe Acrobat's export feature to convert PDFs to formats like Word, Excel, JPEG, etc. Software like Adobe Acrobat, Microsoft Word, or other PDF editors may have options to export or save PDFs in different formats. **How do I password-protect a Interfacing Gsm Module Using Proteus Simulation Software PDF?** Most PDF editing software allows you to add password protection. In Adobe Acrobat, for instance, you can go to "File" -> "Properties" -> "Security" to set a password to restrict access or editing capabilities. Are there any free alternatives to Adobe Acrobat for working with PDFs? Yes, there

are many free alternatives for working with PDFs, such as: LibreOffice: Offers PDF editing features. PDFsam: Allows splitting, merging, and editing PDFs. Foxit Reader: Provides basic PDF viewing and editing capabilities. How do I compress a PDF file? You can use online tools like Smallpdf, ILovePDF, or desktop software like Adobe Acrobat to compress PDF files without significant quality loss. Compression reduces the file size, making it easier to share and download. Can I fill out forms in a PDF file? Yes, most PDF viewers/editors like Adobe Acrobat, Preview (on Mac), or various online tools allow you to fill out forms in PDF files by selecting text fields and entering information. Are there any restrictions when working with PDFs? Some PDFs might have restrictions set by their creator, such as password protection, editing restrictions, or print restrictions. Breaking these restrictions might require specific software or tools, which may or may not be legal depending on the circumstances and local laws.

### **Find Interfacing Gsm Module Using Proteus Simulation Software :**

**17-1909 weight loss trends America 17-2213 weight loss trends USA 17-971**

[credit score improvement blueprint USA 17-1855 credit score improvement](#)

[17-2201 crypto trading case study for small business 17-1078 crypto](#)

[affiliate marketing blueprint America 17-2935 affiliate marketing](#)

[organization roadmap America 17-2975 home organization roadmap United](#)

[business ideas USA 17-625 dropshipping business ideas United States](#)

**17-867 minimalist lifestyle review for entrepreneurs 17-1616 minimalist**

[finance tutorial United States 17-2582 personal finance tutorial United](#)

**basics software United States 17-1091 machine learning basics software**

**hacks trends for small business 17-2646 productivity hacks tutorial for**

[software for entrepreneurs 17-1188 mobile app ideas software for small](#)

[marketing ideas for creators 17-421 affiliate marketing ideas for](#)

[side hustles software United States 17-2328 side hustles software for](#)

**business 17-510 stock market for beginners for startups 17-225 stock**

[States 17-1451 stock market case study United States 17-1457 stock](#)

### **Interfacing Gsm Module Using Proteus Simulation Software :**

[handbook of acute leukemia springerlink - Oct 01 2023](#)

wolfgang hiddemann a concise practical guide that discusses both acute myeloid leukemia and acute lymphocytic leukemia against the backdrop of the latest therapeutic advances in the field written by internationally renowned experts in

**diagnostic criteria classification and prognosis of acute leukemias** - Apr 14 2022

nov 15 2016 the currently accepted classification of acute leukemias was published in 2008 as part of the 4th edition of the world health organization who classification of tumors of hematopoietic and lymphoid tissues 1 classification and prognosis of acute leukemias in hiddemann w eds handbook of acute leukemia adis cham doi org

*handbook of acute leukemia pdf 4ubb6s9d4680 e book* - Jul 30 2023

the handbook of acute leukemia offers readers a key resource into the future outlook for patients with leukemia and is edited and authored by internationally renowned experts in the field leukemia is cancer of the white blood cells and acute leukemia means the condition progresses rapidly and aggressively requiring immediate treatment

*treating acute lymphocytic leukemia all american cancer society* - Feb 22 2023

we would like to show you a description here but the site won t allow us

**acute lymphoblastic leukemia guidelines hematology org** - Apr 26 2023

ash is developing new clinical practice guidelines for the treatment of adolescents and young adults with acute lymphoblastic leukemia all this project was proposed and approved by ash members in 2019 leadership was selected in 2020 and nominations for the guideline panels were solicited in 2021 guidelines will be made available for

**epidemiology pathogenesis and etiology of acute leukemia** - Dec 23 2022

nov 15 2016 handbook of acute leukemia chapter epidemiology pathogenesis and etiology of acute leukemia michael fiegl chapter first online 15 november 2016 1689 accesses 8 citations abstract acute myeloid aml and acute lymphocytic leukemia all are rare diseases accounting for approximately 1 3 and 0 4 of all new cancer cases in the

**a case of acute kidney injury due to native kidney bk** - May 16 2022

oct 31 2023 background bk polyomavirus associated nephropathy bkpyvan has become a major cause of kidney dysfunction and graft loss in kidney transplant recipients on rare occasion polyomavirus has also been known to affect native kidneys of immunocompromised individuals only a small number of opportunistic infections have been reported in the carrier phase of

**childhood leukemia a practical handbook pdf 30p1njah04h0** - Jul 18 2022

pediatric oncology gregory h reaman franklin o smith editors childhood leukemia a practical handbook editors gregory h reaman george washington university school of medicine health sciences the children s national medical center iii michigan ave nw washington d c 20010 email protected franklin o smith iii cincinnati children s hospital

**a functional role of ephrin type b receptor 6 ephb6 in t cell acute** - Aug 19 2022

oct 20 2023 t cell lymphoblastic acute leukemia t all is an aggressive blood cancer characterized by restricted cellular

subsets with enriched leukemia initiating cells lics recently ephrin receptors eph were described to be highly expressed in cancer stem cells here using public rna seq datasets of human t all we reported that ephb6 was the only

[handbook of acute leukemia google books](#) - Mar 26 2023

nov 14 2016 the handbook of acute leukemia offers readers a key resource into the future outlook for patients with leukemia and is edited and authored by internationally renowned experts in the field

[handbook of acute leukemia researchgate](#) - Oct 21 2022

jan 1 2016 the handbook of acute leukemia offers readers a key resource into the future outlook for patients with leukemia and is edited and authored by internationally renowned experts in the field

[examining outcomes in children with down syndrome and acute](#) - Jun 16 2022

2 days ago children with down syndrome have an increased risk of developing acute lymphoblastic leukemia all and experience higher rates of relapse and treatment toxicity in recent decades new therapies

**acute myeloid leukemia guidelines hematology org** - Aug 31 2023

the ash guidelines on acute myeloid leukemia aml in older adults were published in 2020 these guidelines are intended to help older adults with aml and their healthcare providers make critical care decisions including if and how to proceed with cancer treatment and the need for blood transfusions for those in hospice care in 2023 ash will

**leukemia statpearls ncbi bookshelf national center for** - Sep 19 2022

aug 20 2020 leukemia is a heterogeneous group of hematologic malignancies that arise from the dysfunctional proliferation of developing leukocytes it is classified as either acute or chronic based on the rapidity of proliferation and as myelocytic or lymphocytic based on the cell of origin

[handbook of acute leukemia](#) - Jan 24 2023

handbook of acute leukemia isbn 978 3 319 26770 8 isbn 978 3 319 26772 2 ebook doi 10 1007 978 3 319 26772 2 genesis of acute leukemias and clinical trials in acute leukemias and malignant lymphomas he is head of the german aml cooperative group amlcg the german low grade lymphoma study group glsg and

[handbook of acute leukemia free download borrow and](#) - May 28 2023

this book provides an overview of the key developments in both acute lymphocytic leukemia and acute myeloid leukemia with a comprehensive guide to the epidemiology pathogenesis etiology clinical manifestations classification diagnosis and staging as well as the most recent developments in the therapeutic landscape for acute leukemia the

[download or order free information booklets leukemia and](#) - Feb 10 2022

download acute lymphoblastic leukemia all in children and teens 06 15 2022 this booklet provides information about acute lymphoblastic leukemia all in children and also includes information about all in young adults download

biomarkers of bleeding and venous thromboembolism in patients - Nov 21 2022

oct 18 2023 essentials the mechanisms of acute leukemia associated bleeding and thrombosis have not been elucidated we measured plasma biomarkers of coagulation and fibrinolysis in acute leukemia patients biomarkers of the coagulation and fibrinolytic pathways are altered in acute leukemia patients evtf activity is associated with bleeding and pai 1

**acute lymphocytic leukemia early detection diagnosis and types** - Jun 28 2023

we would like to show you a description here but the site won t allow us

**acute leukemias handbook of pediatric hematology and** - Mar 14 2022

feb 5 2021 acute leukemia is the most common type of malignancy in children accounting for approximately 25 of newly diagnosed cancers in patients less than 15years of age the majority of cases of acute lymphoblastic leukemia all arise from b cell committed progenitors

mini atlas great britain and ireland by michelin travel - Apr 11 2023

web buy mini atlas great britain and ireland by michelin travel publications online on amazon ae at best prices fast and free shipping free returns cash on delivery available on eligible purchase

*mini atlas great britain and ireland 2010 by michelin* - Jan 28 2022

web over great britain is 21 3 percent a new high resolution cloud atlas will help ecologists map the distribution of ecosystems on the ground image of the day atmosphere 34 fun facts about belfast northern ireland

**mini atlas great britain ireland 9782067156593 amazon com** - Oct 05 2022

web jan 1 2012 mini atlas great britain ireland on amazon com free shipping on qualifying offers mini atlas great britain ireland

*mini atlas great britain and ireland michelin tourist and motoring* - Jan 08 2023

web mini atlas great britain and ireland michelin tourist and motoring atlases amazon de books books travel holiday travel atlases maps buy new 3 00 prices for items sold by amazon include vat depending on your delivery address vat may vary at checkout for other items please see details free returns free delivery

**mini atlas great britain and ireland michelin tourist and motoring** - Mar 10 2023

web mini atlas great britain and ireland michelin tourist and motoring atlases isbn 9782067141360 kostenloser versand für alle bücher mit versand und verkauf duch amazon mini atlas great britain and ireland michelin tourist and motoring atlases amazon de bücher

**miniatlasgreatbritainirland david l hawksworth book** - Dec 27 2021

web scale maps great britain ordnance survey 1924 new atlas of the british irish flora christopher david preston 2002 the historical atlas of the british isles ian barnes 2012 03 19 this atlas covers the history of the british isles from earliest times to

the present day the first hunter gatherers who crossed into

**micelin great britain ireland road atlas atlas micelin** - May 12 2023

web jan 1 2014 micelin s european atlases have an exciting new look inside and out the new cover design highlights the focus on road travel adventures and discovery while inside the new simplified page numbers make it easy to locate the next page of the journey

**mini atlas great britain and ireland no 0096 paperback** - Aug 03 2022

web hello sign in account lists returns orders cart

*interactive atlas of great britain mcgill university* - Apr 30 2022

web coverage 2001 description two cd atlas set produced by the ordnance survey covers the landmass of great britain disk a contains 1 250 000 scale maps 100 selected 1 50 000 map extracts photos fly throughs town plans and a map skills section

**the times mini atlas of the world hardcover 9 april 2015** - Feb 26 2022

web apr 9 2015 in stock a pocket sized times atlas of the world packed with the essentials fully revised and improved to take account of all recent changes from around the world the whole world is covered with the accuracy and authority for which times atlases are renowned main features 117 pages of authoritative up to date mapping of the

**mini atlas great britain and ireland 2010** - Jun 01 2022

web merely said the mini atlas great britain and ireland 2010 is universally compatible in imitation of any devices to read european glacial landscapes david palacios 2021 11 19 european glacial landscapes maximum extent of glaciations brings together relevant experts on the history of glaciers and

**mini atlas great britain and ireland amazon singapore** - Jul 02 2022

web mini atlas great britain and ireland micelin travel publications amazon sg books

[mini atlas great britain and ireland amazon com au](#) - Sep 04 2022

web mini atlas great britain and ireland micelin travel publications amazon com au books

*great britain irland mini atlas 2009 no 0096 micelin tourist* - Jun 13 2023

web buy great britain irland mini atlas 2009 no 0096 micelin tourist and motoring atlases by micelin isbn 9782067148239 from amazon s book store everyday low prices and free delivery on eligible orders

[mini atlas great britain ireland by amazon ae](#) - Feb 09 2023

web buy mini atlas great britain ireland by online on amazon ae at best prices fast and free shipping free returns cash on delivery available on eligible purchase

**micelin great britain and ireland mini atlas open library** - Nov 06 2022

web micelin great britain and ireland mini atlas by micelin travel publications staff 2000 micelin edition in english

micelin great britain and ireland mini atlas by micelin travel publications staff open library

**mini atlas great britain and ireland 2010 by not available spiral** - Dec 07 2022

web find many great new used options and get the best deals for mini atlas great britain and ireland 2010 by not available spiral bound 2010 at the best online prices at ebay free delivery for many products

*micelin mini maps great britain ireland* - Jul 14 2023

web the edition updated 2020 of micelin mini map of great britain scale 1 1 000 000 will give an overall picture of your route with concise road and travel information small and practical this map is easy to use thanks to double sided pocket format and includes multi language key relief shading spot

the times mini atlas of the world hardcover 2 feb 2009 - Mar 30 2022

web feb 2 2009 the times mini atlas of the world hardcover 2 feb 2009 by times author 4 0 5 ratings see all formats and editions there is a newer edition of this item the times atlas of the world mini edition 2 79 25 only 1 left in stock a pocket sized times atlas packed with the essentials

**mini atlas great britain and ireland no 0096 micelin tourist** - Aug 15 2023

web buy mini atlas great britain and ireland no 0096 micelin tourist and motoring atlases revised by micelin isbn 9782067125070 from amazon s book store everyday low prices and free delivery on eligible orders

**men 2019 lesezeichenkalender 5 5 x 16 5 manner er pdf** - May 31 2022

web may 19 2023 men 2019 lesezeichenkalender 5 5 x 16 5 manner er pdf if you ally habit such a referred men 2019 lesezeichenkalender 5 5 x 16 5 manner er pdf books that

**men 2019 lesezeichenkalender 5 5 x 16 5 manner er alice** - May 11 2023

web getting the books men 2019 lesezeichenkalender 5 5 x 16 5 manner er now is not type of inspiring means you could not only going later ebook hoard or library or borrowing from

**typo 2020 lesezeichenkalender 5 5 x 16 5 spruchek copy** - Dec 26 2021

web webmen 2020 lesezeichenkalender 5 5 x 16 5 manner er pdf is available in our book collection an online access to it is set as public so you can 2020 naked sword 2019

**men 2019 lesezeichenkalender 9783840796340** - Feb 08 2023

web men 2019 lesezeichenkalender on amazon com au free shipping on eligible orders men 2019 lesezeichenkalender

men 2020 lesezeichenkalender 5 5 x 16 5 manner er pdf - Feb 25 2022

web men 2020 lesezeichenkalender 5 5 x 16 5 manner er holy bible dec 07 2020 a 14 point giant print softcover niv bible with the reference help you want an end of paragraph

**men 2019 lesezeichenkalender 5 5 x 16 5 männer** - Jul 01 2022

web june 3rd 2020 men 2020 men 2020 lesezeichenkalender 5 5 x 16 5 männer erotikkalender gadget lesehilfe geschenkidee 27 12 2019 keine kommentare free

**men 2023 lesezeichenkalender 5 5x16 5 cm amazon de** - Mar 09 2023

web men 2023 lesezeichenkalender 5 5x16 5 cm männer erotikkalender lesehilfe alpha edition alpha edition isbn 4251732332822 kostenloser versand für alle bücher

*men 2019 lesezeichenkalender 5 5 x 16 5 manner er pdf paul* - Aug 02 2022

web jun 28 2023 men 2019 lesezeichenkalender 5 5 x 16 5 manner er pdf right here we have countless ebook men 2019 lesezeichenkalender 5 5 x 16 5 manner er pdf and

typo 2019 lesezeichenkalender 5 5 x 16 5 amazon de - Dec 06 2022

web typo 2019 lesezeichenkalender 5 5 x 16 5 sprüchekalender gadget lesehilfe alpha edition amazon de books

**men 2019 lesezeichenkalender 5 5 x 16 5 männer** - Apr 29 2022

web jun 28 2023 ways to acquire this ebook men 2019 lesezeichenkalender 5 5 x 16 5 männer erotikkalender gadget lesehilfe by alpha edition is in addition valuable men

*download solutions men 2019 lesezeichenkalender 5 5 x 16 5* - Jan 07 2023

web the men 2019 lesezeichenkalender 5 5 x 16 5 manner er pdf associate that we manage to pay for here and check out the link you could buy lead men 2019

**download file men 2020 lesezeichenkalender 5 5 x 16 5** - Jan 27 2022

web ebook men 2020 lesezeichenkalender 5 5 x 16 5 manner er is additionally useful you have remained in right site to begin getting this info acquire the men 2020

men 2019 lesezeichenkalender 5 5 x 16 5 manner er free pdf - Oct 04 2022

web read men 2019 lesezeichenkalender 5 5 x 16 5 manner er pdf book is the book you are looking for by download pdf men bouwt men wat men moet weten voor men

*men 2019 lesezeichenkalender amazon co uk books* - Aug 14 2023

web buy men 2019 lesezeichenkalender by isbn 9783840796340 from amazon s book store everyday low prices and free delivery on eligible orders

zen 2019 lesezeichenkalender 5 5 x 16 5 amazon de - Nov 05 2022

web zen 2019 lesezeichenkalender 5 5 x 16 5 gadget lesehilfe alpha edition amazon de books

**men lesezeichen kalender 2016 heye amazon de bücher** - Oct 24 2021

web men lesezeichen kalender 2016 heye amazon de bücher zum hauptinhalt wechseln de hallo lieferadresse wählen bücher wähle die kategorie aus in der du

*men İngilizce okunuş cambridge dictionary - Nov 24 2021*

web men in okunuşu men nasıl söylenir İngilizce sesli okunuşu dinleyin daha fazlasını öğren

**men 2019 lesezeichenkalender 5 5 x 16 5 männer** - Sep 03 2022

web along with manuals you could enjoy now is men 2019 lesezeichenkalender 5 5 x 16 5 männer erotikkalender gadget lesehilfe by alpha edition below perhaps you have

**men 2019 lesezeichenkalender 5 5 x 16 5 amazon de** - Jun 12 2023

web men 2019 lesezeichenkalender 5 5 x 16 5 männer erotikkalender gadget lesehilfe alpha edition amazon de books

*eulen 2019 lesezeichenkalender 5 5 x 16 5 owls gadget* - Mar 29 2022

web eulen 2019 lesezeichenkalender 5 5 x 16 5 owls gadget lesehilfe eulen chouettes gufi alpha edition amazon de books

**men 2021 lesezeichenkalender 5 5x16 5 cm amazon com tr** - Apr 10 2023

web men 2021 lesezeichenkalender 5 5x16 5 cm männer erotikkalender lesehilfe alpha edition alpha edition amazon com tr

**men 2019 lesezeichenkalender 5 5 x 16 5 manner er pdf 2023** - Jul 13 2023

web men 2019 lesezeichenkalender 5 5 x 16 5 manner er pdf introduction men 2019 lesezeichenkalender 5 5 x 16 5 manner er pdf 2023 wild at heart patricia gaffney