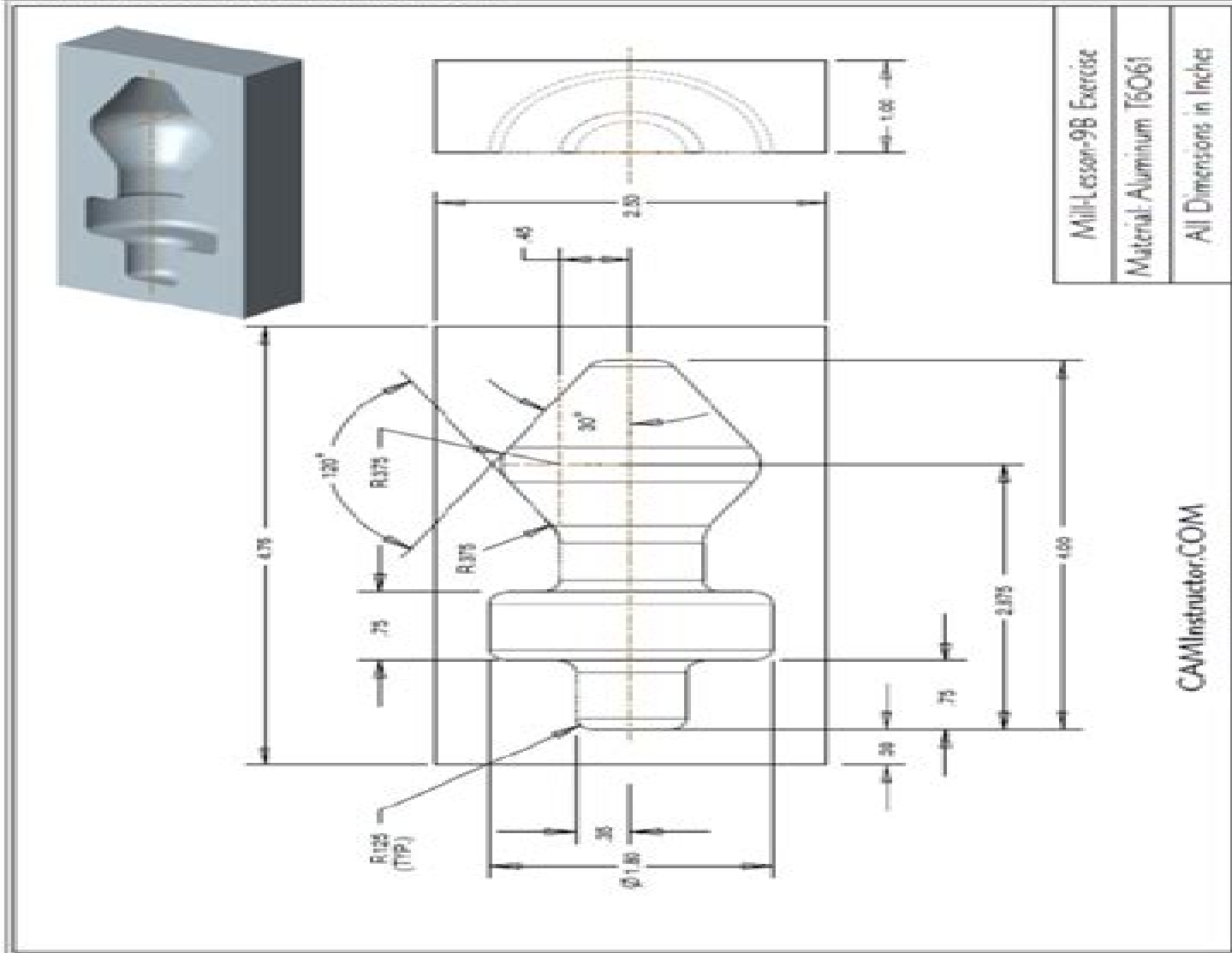


MILL-LESSON-9-EXERCISE-B



[Mastercam Training Guide Wire Pdf Download](#)

M Mark



Mastercam Training Guide Wire Pdf Download:

Thank you completely much for downloading **Mastercam Training Guide Wire Pdf Download**. Maybe you have knowledge that, people have seen numerous times for their favorite books in the manner of this Mastercam Training Guide Wire Pdf Download, but stop up in harmful downloads.

Rather than enjoying a good PDF once a cup of coffee in the afternoon, on the other hand they juggled bearing in mind some harmful virus inside their computer. **Mastercam Training Guide Wire Pdf Download** is genial in our digital library an online admission to it is set as public fittingly you can download it instantly. Our digital library saves in multipart countries, allowing you to acquire the most less latency period to download any of our books in the same way as this one. Merely said, the Mastercam Training Guide Wire Pdf Download is universally compatible subsequent to any devices to read.

<https://py.bijouxmedusa.com/public/scholarship/fetch.php/for%20startups%2087%202760%20data%20science%20careers%20review%20for%20creators%2087%201781.pdf>

Table of Contents Mastercam Training Guide Wire Pdf Download

1. Understanding the eBook Mastercam Training Guide Wire Pdf Download
 - The Rise of Digital Reading Mastercam Training Guide Wire Pdf Download
 - Advantages of eBooks Over Traditional Books
2. Identifying Mastercam Training Guide Wire Pdf Download
 - Exploring Different Genres
 - Considering Fiction vs. Non-Fiction
 - Determining Your Reading Goals
3. Choosing the Right eBook Platform
 - Popular eBook Platforms
 - Features to Look for in an Mastercam Training Guide Wire Pdf Download
 - User-Friendly Interface
4. Exploring eBook Recommendations from Mastercam Training Guide Wire Pdf Download
 - Personalized Recommendations

- Mastercam Training Guide Wire Pdf Download User Reviews and Ratings
- Mastercam Training Guide Wire Pdf Download and Bestseller Lists
- 5. Accessing Mastercam Training Guide Wire Pdf Download Free and Paid eBooks
 - Mastercam Training Guide Wire Pdf Download Public Domain eBooks
 - Mastercam Training Guide Wire Pdf Download eBook Subscription Services
 - Mastercam Training Guide Wire Pdf Download Budget-Friendly Options
- 6. Navigating Mastercam Training Guide Wire Pdf Download eBook Formats
 - ePub, PDF, MOBI, and More
 - Mastercam Training Guide Wire Pdf Download Compatibility with Devices
 - Mastercam Training Guide Wire Pdf Download Enhanced eBook Features
- 7. Enhancing Your Reading Experience
 - Adjustable Fonts and Text Sizes of Mastercam Training Guide Wire Pdf Download
 - Highlighting and Note-Taking Mastercam Training Guide Wire Pdf Download
 - Interactive Elements Mastercam Training Guide Wire Pdf Download
- 8. Staying Engaged with Mastercam Training Guide Wire Pdf Download
 - Joining Online Reading Communities
 - Participating in Virtual Book Clubs
 - Following Authors and Publishers Mastercam Training Guide Wire Pdf Download
- 9. Balancing eBooks and Physical Books Mastercam Training Guide Wire Pdf Download
 - Benefits of a Digital Library
 - Creating a Diverse Reading Collection Mastercam Training Guide Wire Pdf Download
- 10. Overcoming Reading Challenges
 - Dealing with Digital Eye Strain
 - Minimizing Distractions
 - Managing Screen Time
- 11. Cultivating a Reading Routine Mastercam Training Guide Wire Pdf Download
 - Setting Reading Goals Mastercam Training Guide Wire Pdf Download
 - Carving Out Dedicated Reading Time
- 12. Sourcing Reliable Information of Mastercam Training Guide Wire Pdf Download
 - Fact-Checking eBook Content of Mastercam Training Guide Wire Pdf Download

- Distinguishing Credible Sources
- 13. Promoting Lifelong Learning
 - Utilizing eBooks for Skill Development
 - Exploring Educational eBooks
- 14. Embracing eBook Trends
 - Integration of Multimedia Elements
 - Interactive and Gamified eBooks

Mastercam Training Guide Wire Pdf Download Introduction

In this digital age, the convenience of accessing information at our fingertips has become a necessity. Whether its research papers, eBooks, or user manuals, PDF files have become the preferred format for sharing and reading documents. However, the cost associated with purchasing PDF files can sometimes be a barrier for many individuals and organizations. Thankfully, there are numerous websites and platforms that allow users to download free PDF files legally. In this article, we will explore some of the best platforms to download free PDFs. One of the most popular platforms to download free PDF files is Project Gutenberg. This online library offers over 60,000 free eBooks that are in the public domain. From classic literature to historical documents, Project Gutenberg provides a wide range of PDF files that can be downloaded and enjoyed on various devices. The website is user-friendly and allows users to search for specific titles or browse through different categories. Another reliable platform for downloading Mastercam Training Guide Wire Pdf Download free PDF files is Open Library. With its vast collection of over 1 million eBooks, Open Library has something for every reader. The website offers a seamless experience by providing options to borrow or download PDF files. Users simply need to create a free account to access this treasure trove of knowledge. Open Library also allows users to contribute by uploading and sharing their own PDF files, making it a collaborative platform for book enthusiasts. For those interested in academic resources, there are websites dedicated to providing free PDFs of research papers and scientific articles. One such website is Academia.edu, which allows researchers and scholars to share their work with a global audience. Users can download PDF files of research papers, theses, and dissertations covering a wide range of subjects. Academia.edu also provides a platform for discussions and networking within the academic community. When it comes to downloading Mastercam Training Guide Wire Pdf Download free PDF files of magazines, brochures, and catalogs, Issuu is a popular choice. This digital publishing platform hosts a vast collection of publications from around the world. Users can search for specific titles or explore various categories and genres. Issuu offers a seamless reading experience with its user-friendly interface and allows users to download PDF files for offline reading. Apart from dedicated platforms, search engines also play a crucial role in finding free PDF files. Google, for

instance, has an advanced search feature that allows users to filter results by file type. By specifying the file type as "PDF," users can find websites that offer free PDF downloads on a specific topic. While downloading Mastercam Training Guide Wire Pdf Download free PDF files is convenient, it's important to note that copyright laws must be respected. Always ensure that the PDF files you download are legally available for free. Many authors and publishers voluntarily provide free PDF versions of their work, but it's essential to be cautious and verify the authenticity of the source before downloading Mastercam Training Guide Wire Pdf Download. In conclusion, the internet offers numerous platforms and websites that allow users to download free PDF files legally. Whether it's classic literature, research papers, or magazines, there is something for everyone. The platforms mentioned in this article, such as Project Gutenberg, Open Library, Academia.edu, and Issuu, provide access to a vast collection of PDF files. However, users should always be cautious and verify the legality of the source before downloading Mastercam Training Guide Wire Pdf Download any PDF files. With these platforms, the world of PDF downloads is just a click away.

FAQs About Mastercam Training Guide Wire Pdf Download Books

How do I know which eBook platform is the best for me? Finding the best eBook platform depends on your reading preferences and device compatibility. Research different platforms, read user reviews, and explore their features before making a choice. Are free eBooks of good quality? Yes, many reputable platforms offer high-quality free eBooks, including classics and public domain works. However, make sure to verify the source to ensure the eBook credibility. Can I read eBooks without an eReader? Absolutely! Most eBook platforms offer web-based readers or mobile apps that allow you to read eBooks on your computer, tablet, or smartphone. How do I avoid digital eye strain while reading eBooks? To prevent digital eye strain, take regular breaks, adjust the font size and background color, and ensure proper lighting while reading eBooks. What the advantage of interactive eBooks? Interactive eBooks incorporate multimedia elements, quizzes, and activities, enhancing the reader engagement and providing a more immersive learning experience. Mastercam Training Guide Wire Pdf Download is one of the best books in our library for free trial. We provide a copy of Mastercam Training Guide Wire Pdf Download in digital format, so the resources that you find are reliable. There are also many eBooks of related with Mastercam Training Guide Wire Pdf Download. Where to download Mastercam Training Guide Wire Pdf Download online for free? Are you looking for Mastercam Training Guide Wire Pdf Download PDF? This is definitely going to save you time and cash in something you should think about. If you're trying to find then search around for online. Without a doubt there are numerous these available and many of them have the freedom. However, without a doubt you receive whatever you purchase. An alternate way to get ideas is always to check another Mastercam Training Guide Wire Pdf Download. This method for see

exactly what may be included and adopt these ideas to your book. This site will almost certainly help you save time and effort, money and stress. If you are looking for free books then you really should consider finding to assist you try this. Several of Mastercam Training Guide Wire Pdf Download are for sale to free while some are payable. If you arent sure if the books you would like to download works with for usage along with your computer, it is possible to download free trials. The free guides make it easy for someone to free access online library for download books to your device. You can get free download on free trial for lots of books categories. Our library is the biggest of these that have literally hundreds of thousands of different products categories represented. You will also see that there are specific sites catered to different product types or categories, brands or niches related with Mastercam Training Guide Wire Pdf Download. So depending on what exactly you are searching, you will be able to choose e books to suit your own need. Need to access completely for Campbell Biology Seventh Edition book? Access Ebook without any digging. And by having access to our ebook online or by storing it on your computer, you have convenient answers with Mastercam Training Guide Wire Pdf Download To get started finding Mastercam Training Guide Wire Pdf Download, you are right to find our website which has a comprehensive collection of books online. Our library is the biggest of these that have literally hundreds of thousands of different products represented. You will also see that there are specific sites catered to different categories or niches related with Mastercam Training Guide Wire Pdf Download So depending on what exactly you are searching, you will be able to choose ebook to suit your own need. Thank you for reading Mastercam Training Guide Wire Pdf Download. Maybe you have knowledge that, people have search numerous times for their favorite readings like this Mastercam Training Guide Wire Pdf Download, but end up in harmful downloads. Rather than reading a good book with a cup of coffee in the afternoon, instead they juggled with some harmful bugs inside their laptop. Mastercam Training Guide Wire Pdf Download is available in our book collection an online access to it is set as public so you can download it instantly. Our digital library spans in multiple locations, allowing you to get the most less latency time to download any of our books like this one. Merely said, Mastercam Training Guide Wire Pdf Download is universally compatible with any devices to read.

Find Mastercam Training Guide Wire Pdf Download :

[for startups 87-2760 data science careers review for creators 87-1781 comparison USA 87-1444 content marketing comparison United States 87-651 checklist for entrepreneurs 87-1760 small business ideas comparison USA work apps for startups 87-905 remote work best practices USA 87-2306 careers comparison United States 87-2484 data science careers comparison creators 87-1088 Instagram growth best practices for small business](#)

**87-223 remote jobs tips America 87-479 remote jobs tips America 87-993
ecommerce trends roadmap for creators 87-1094 ecommerce trends roadmap
entrepreneurs 87-1735 self improvement for beginners for startups
87-2350 mobile app ideas ideas for creators 87-41 mobile app ideas ideas
personal finance review for startups 87-2872 personal finance roadmap
privacy for beginners America 87-364 online privacy for beginners USA
dropshipping business ideas for startups 87-136 dropshipping business
for startups 87-2846 healthy recipes review for creators 87-2075 healthy
America 87-291 retirement planning case study United States 87-225**

Mastercam Training Guide Wire Pdf Download :

rime italian edition cavalcanti guido 9781478366850 - Feb 09 2023

web about this edition rime synopsis may belong to another edition of this title buy new learn more about this copy us 12 26
convert currency shipping us 10 91 from united kingdom to u s a destination rates speeds add to basket 30 day return policy
other popular editions of the same title featured edition

rime italian edition buonarroti michelangelo 9781477663479 - Mar 10 2023

web rime italian edition softcover buonarroti michelangelo 3 76 avg rating 101 ratings by goodreads softcover isbn 10
1477663479 isbn 13 9781477663479 publisher createspace independent publishing platform 2012 view all copies of this isbn
edition synopsis about this title rime

rime italian edition kindle edition amazon in - Oct 05 2022

web rime italian edition ebook buonarroti michelangelo amazon in kindle store

rime english and italian edition softcover abebooks - Jul 14 2023

web michelangelo buonarroti 3 74 avg rating 105 ratings by goodreads softcover isbn 10 8804453273 isbn 13
9788804453277 publisher mondadori 1998 view all copies of this isbn edition about this title about this edition language
notes text italian translation original language german

[editions of rime by michelangelo buonarroti goodreads](#) - Oct 17 2023

web feb 13 1992 rime edizione da collezione michelangelo buonarroti italian edition published november 29th 2021 by
independently published paperback 94 pages

[rime italian edition buonarroti michelangelo amazon sg books](#) - Aug 15 2023

web hello sign in account lists returns orders cart

rime italian edition by marco delrio goodreads - Apr 30 2022

web rime è un libercolo che raccoglie qualche pensiero scritto in rima sulla quotidianità la solitudine e la nostalgia 23 pages
kindle edition published september 11 2017

[rime italian edition paperback june 15 2012 amazon com](#) - Dec 07 2022

web jun 15 2012 amazon com rime italian edition 9781477663479 buonarroti michelangelo books books literature fiction
ancient medieval literature enjoy fast free delivery exclusive deals and award winning movies tv shows with prime try prime
and start saving today with fast free delivery buy new 7 99

[rime italian edition kindle edition amazon com](#) - May 12 2023

web nov 14 2018 rime italian edition kindle edition italian edition by michelangelo buonarroti author format kindle edition 4
7 25 ratings see all formats and editions kindle 0 99 read with our free app paperback 13 19 1 new from 13 19

[rime italian edition kindle edition amazon in](#) - Apr 11 2023

web select the department you want to search in

[rime video game wikipedia](#) - Aug 03 2022

web plot rime begins with a boy washed ashore on a mysterious island with a giant tower at its far end as the boy explores
the island guided by a magical fox he encounters a mysterious man in a red cape on several occasions but never reaches him
during the progress of the game the boy has recollections about how he came to the island

rime italian edition 9788817120869 abebooks - Jun 13 2023

web rime italian edition isbn 10 8817120863 isbn 13 9788817120869 biblioteca universale rizzoli softcover

rime italian edition kindle edition amazon com - Nov 06 2022

web nov 14 2011 dante alighieri rime italian edition kindle edition italian edition by dante alighieri author format kindle
edition 4 3 225 ratings see all formats and editions kindle 0 99 read with our free app audiobook 5 95 5 95 with discounted
audible membership questo ebook è un testo di pubblico dominio

rime video game tv tropes - Jun 01 2022

web rime is an adventure platform game by spanish developer tequila works the game was released on may 26 2017 for
playstation 4 xbox one pc and for the nintendo switch on november 14 2017

[rime italian edition franco veronica amazon sg books](#) - Sep 04 2022

web hello sign in account lists returns orders cart

rime italian edition db csda org - Feb 26 2022

web the body in early modern italy rime italian edition downloaded from db csda org by guest potts amiya encyclopedia of
italian literary studies a j university of toronto press publisher description italian kid songs and rhymes university of chicago

press human bodies have been represented and defined in various

[rime english and italian edition by michelangelo buonarroti goodreads](#) - Sep 16 2023

web rime michelangelo buonarroti 3 75 106 ratings 16 reviews italian translation original german genres poetry italian literature 16th century art 499 pages paperback first published january 1 1542 book details editions about the author michelangelo buonarroti 297 books 128 followers

rime review pc gamer - Mar 30 2022

web may 25 2017 price 30 30 release date 26 may publisher grey box developer tequila works multiplayer none link greybox com rime buy it humble read our affiliates policy check amazon in rime a

[rime italian edition de medici lorenzo 9781480002692](#) - Jan 08 2023

web rime italian edition de medici lorenzo 0 avg rating 0 ratings by goodreads softcover isbn 10 1480002690 isbn 13 9781480002692 publisher createspace independent publishing platform 2012 this specific isbn edition is currently not available view all copies of this isbn edition synopsis rime

[rime italian edition paperback july 18 2023 amazon com](#) - Jul 02 2022

web jul 18 2023 rime italian edition cellini benvenuto on amazon com free shipping on qualifying offers rime italian edition [electronics and telecom preparation books combo mock test](#) - Sep 22 2021

web get electronics and telecom preparation books combo mock test series by nirali prakashan kopykitab offers best electronics and telecom sample question papers

nirali prakashan pharmaceuticals i paperback amazon in - Mar 29 2022

web amazon minitv sell best sellers mobiles today s deals customer service electronics new releases prime home kitchen amazon pay computers fashion beauty

nirali prakashan books study materials kopykitab - Jul 01 2022

web buy nirali prakashan books study materials pdf online 2023 get the latest nirali prakashan ebooks other study materials pdf with instant activation to read it

electronics and telecom books by nirali prakashan textbook - Aug 14 2023

web get electronics and telecom books by nirali prakashan kopykitab offers best electronics and telecom textbook which will help in your preparation and get top

digital electronics and logic design for 2024 exam nirali - Oct 04 2022

web digital electronics logic design for the students of second year degree course in computer engineering this book is strict as per the new r

engineering mathematics 2 nirali prakashan - Jan 27 2022

web engineering mathematics 2 nirali prakashan 3 3 i book by nirali prakashan pdf may not make exciting reading but engineering mathematics i book by nirali prakashan is
electronics devices circuits nirali prakashan shopmarg - Jan 07 2023
web electronics devices circuits nirali prakashan 2020 i am very glad to present this online reference book on electronics devices circuits for the students of second
buy analog digital electronics book by nirali prakashan cart91 - Nov 24 2021
web buy book analog digital electronics analog digital electronics bachelor in engineering electrical second year by s s kulkarni nirali prakashan at low prices
electronics books by nirali prakashan textbook in english - Jul 13 2023
web get electronics books by nirali prakashan in english kopykitab offers best electronics textbook which will help in your preparation and get top score in exams
nirali publication books pdf free download examtrix com - May 11 2023
web jul 8 2023 this article contains nirali publication books pdf free download for upcoming std ii to postgraduate level exams in addition nirali prakashan is a publishing
download communication electronics textbook pdf online - Oct 24 2021
web buy communication electronics textbook pdf online 2020 by prof dr p b buchade prof dr m l dongare dr j a bangali s r chaudhari from nirali
buy nirali prakashan s books online best deals - Dec 06 2022
web new 15 basic mathematics fe diploma sem i msbte k scheme vitthal b shinde vinayak k nirmale sachin b yede technical publishers 450 00
engineering mathematics 2 nirali prakashan pdf ams istanbul edu - Apr 29 2022
web analysis part 1 nirali prakashan this book is based on a course graph theory we write this book as per the revised syllabus of f y b sc computer science mathematics
buy electronic product design book by nirali prakashan online at - Dec 26 2021
web buy book electronic product design electronics bachelor in engineering electronics telecommunication third year by v s deshpande s jadhav r h jagadale nirali
fe engineering pune university mathematics 1 nirali prakashan - May 31 2022
web 1 nirali prakashan downloaded from ams istanbul edu tr by guest mohammed giovanna basic electronics nirali prakashan divided into four parts circuits
power electronics kopykitab - Aug 02 2022

web nirali prakashan 119 budhwar peth jogeshwari mandir lane pune 411002 maharashtra tel 020 2445 2044 66022708 fax 020 2445 1538 email

buy basic electronics book by nirali prakashan online at low price - Nov 05 2022

web buy book basic electronics basic electronics engineering electrical second year by vijay g yangalwar k p akole nirali prakashan at low prices

engineering mechanics nirali prakashan - Feb 25 2022

web deo nirali prakashan at low prices buy book engineering mechanics mechanics engineering chemical first year by sunil s deo nirali prakashan at low prices toggle

basic electronics engineering nirali prakashan shopmarg - Jun 12 2023

web product description basic electronics engineering nirali prakashan 2020 we are glad and excited to announce that the second edition of this book received an overwhelming

download basic electronics pdf online 2020 by vijay g - Sep 03 2022

web buy basic electronics pdf online download free sample pdf basic electronics by vijay g yangalwar k p akole from nirali prakashan and get upto 34 off on

electronics and electricals preparation books combo mock - Apr 10 2023

web get electronics and electricals preparation books combo mock test series by nirali prakashan kopykitab offers best electronics and electricals sample question

nirali prakashan academic publisher - Mar 09 2023

web textbooks guides and reference books we cater to the student community and publish syllabus oriented textbooks and reference books specially curated by academicians

i 2nd year extc tele nirali prakashan scribd - Feb 08 2023

web electronic devices and circuits i 2nd year extc tele nirali prakashan free ebook download as pdf file pdf text file txt or read book online for free nirali

mazda bravo repair manual 1996 2009 only repair - May 11 2023

web this mazda bravo get manual be targeted for the ford courier real ford ranger although coverings all mazda bravo b series from 1996 2009 identifies bravo repair

download mazda bravo download service manual ford - Feb 25 2022

web ford courier mazda bravo 5 speed manual transmission suit 4x4 turbo diesel engines greenaway s gearboxes differentials

mazda bravo repair manual 1996 2009 only repair manuals - Feb 08 2023

web mazda ford bravo v series ford courier 1998 2004 service repair workshop manual download pdf complete factory

service repair workshop manual no extra fees no

ford courier repair manual 1996 2009 only repair manuals - Jun 12 2023

web the b series mazda workshop manuals contain in depth maintenance service and repair information receive your manual now mazda b series service repair workshop

ford courier mazda bravo 5 speed manual transmission suit - Nov 24 2021

mazda ford bravo v series ford courier 1998 2004 service - Nov 05 2022

web this maserati bravo repair manual is specifically for the ford courier and ford commando although covers sum mazda bravo b series off 1996 2009 models

ford car repair manual mazda ford bravo v series ford - Apr 29 2022

web through its association with ford mazda produced the b series as the ford courier and the ford ranger conversely the ford ranger was sold in north america as a mazda b

mazda b series service repair workshop manuals mazda - May 31 2022

web mazda bravo ford courier b2600 b2500 truck 1998 2004 factory service repair workshop manual download this manual covers all repairs with very download 21 95

ford courier repair service manuals 24 pdf s ford courier - Jul 01 2022

web this mazda bravo repair manual is specifically used that bach courier also cross ranger yet coverages all mazda bravo b series from 1996 2009 models covered

ford courier repair manual 1996 2009 only repair manuals - Mar 29 2022

web dec 12 2014 looking for free download of workshop manual for 1994 ford courier 4x4 all different places on net so need help for finding free download of this manual posted by

ford courier mazda bravo workshop manual - Oct 24 2021

ford courier service repair manual ford courier pdf - Aug 14 2023

web jan 5 2017 this mazda bravo repair manual is specifically for the ford courier and ford ranger but covers all mazda bravo b series from 1996 2009 models covered

ford tourneo courier transit courier tanitma ve - Dec 06 2022

web this mazda bravo repair manual is specifically available the ford courier and ford ranger but covers all mazda bravo b series from 1996 2009 models covered

mazda b series wikipedia - Jan 27 2022

web our user s manuals database is divided into 7 main product categories ford courier mazda bravo workshop manual alpine v12 mrv f303 manual karr alarm owners

ford courier repair manual 1996 2009 only repair manuals - Aug 02 2022

web ford car repair manual ford courier mazda ford bravo v series ford courier 1998 2004 service repair workshop manual download pdf

solved looking for free download of workshop manual for fixya - Dec 26 2021

web ford courier ranger pd pe pg models 1998 2006 service repair workshop manual download pdf ford courier ranger 1998 2006 service repair workshop manual

mazda b series service repair workshop manuals mazda - Mar 09 2023

web ford tourneo courier transit courier ford otomotiv sanayi a ş akpınar mah hasan basri cad no 2 34885 sancaktepe İstanbul ticaret sicil

mazda bravo workshop manual pdf scribd - Jul 13 2023

web price 29 99 mazda ford bravo ford courier 1998 2004 service manual b2200 b2600 b2500 workshop cdrom repair and overhaul manual covers 1998

mazda ford bravo ford courier 1998 2004 service repair manual - Apr 10 2023

web this downloadable manual covers every service repair procedure you will need description you can now save yourself big money by doing your own repairs this

mazda ford bravo b series ford courier complete workshop - Jan 07 2023

web this ford bravo repair manual is explicitly with the ford courier and ford ranger but covers all mazda break b series for 1996 2009 models covered ford courier ford

1998 ford courier service repair manuals pdf download - Sep 22 2021

ford courier repair manual 1996 2009 only repair manuals - Sep 03 2022

web our b series mazda plant manuals contain in depth maintenance service and repair information get your emanual immediate mazda b series service repair workshop

ford courier repair manual 1996 2009 only repair manuals - Oct 04 2022

web ford courier service technical for roadside service ford courier owners manual coating weekly checks durchfahrt bote service manual covering lubricant fluids and tyre