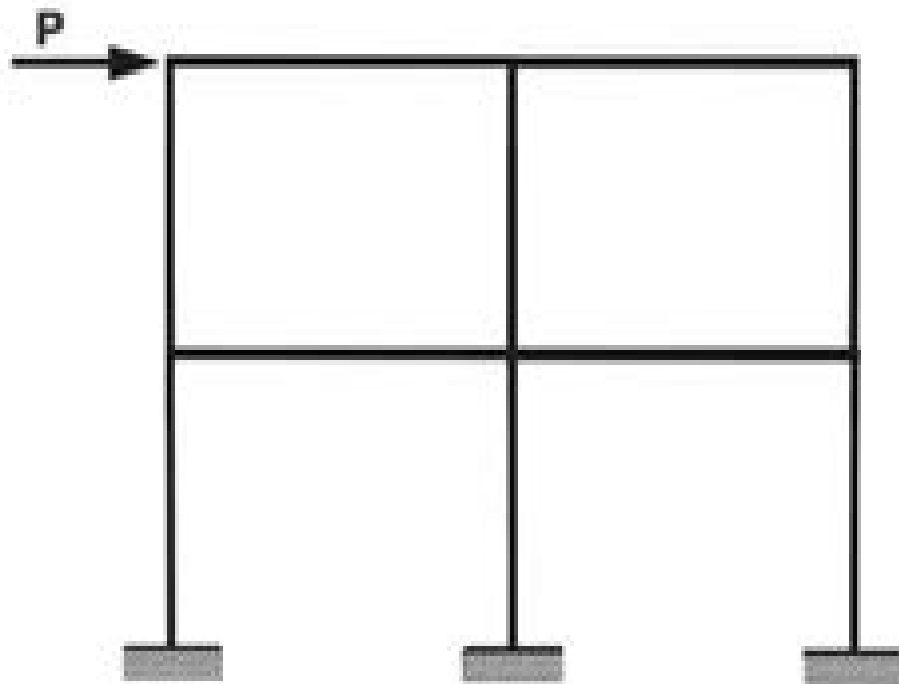
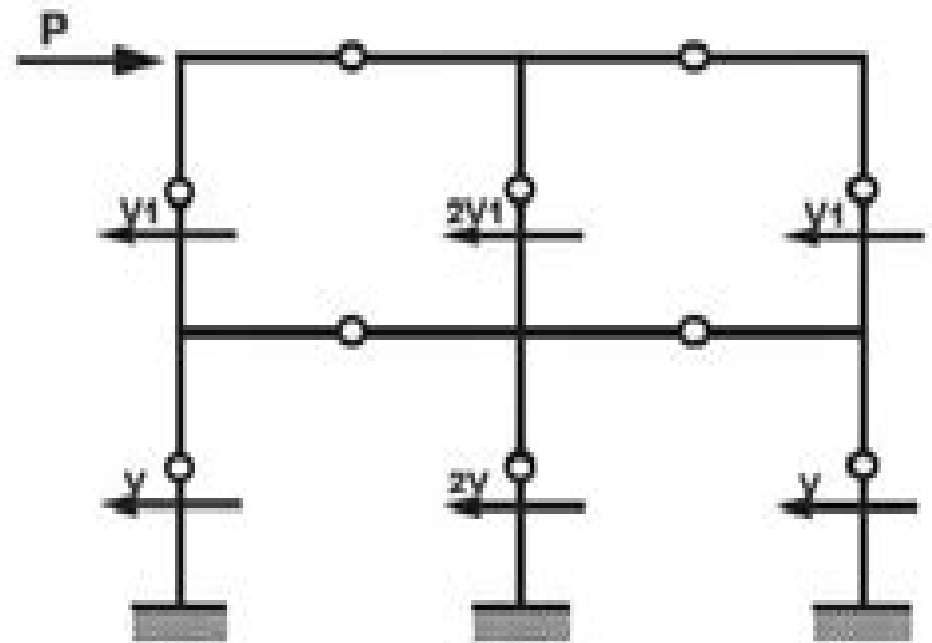


Approximate Lateral Load Analysis by Portal Method



Real Structure



Approximation

Approximate Lateral Load Analysis By Portal Method

Rachel Sandford



Approximate Lateral Load Analysis By Portal Method:

Decoding **Approximate Lateral Load Analysis By Portal Method**: Revealing the Captivating Potential of Verbal Expression

In a time characterized by interconnectedness and an insatiable thirst for knowledge, the captivating potential of verbal expression has emerged as a formidable force. Its capability to evoke sentiments, stimulate introspection, and incite profound transformations is genuinely awe-inspiring. Within the pages of "**Approximate Lateral Load Analysis By Portal Method**," a mesmerizing literary creation penned by way of a celebrated wordsmith, readers attempt an enlightening odyssey, unraveling the intricate significance of language and its enduring affect our lives. In this appraisal, we shall explore the book is central themes, evaluate its distinctive writing style, and gauge its pervasive influence on the hearts and minds of its readership.

<https://py.bijouxmedusa.com/files/publication/HomePages/states%204%201177%20productivity%20hacks%20tips%20for%20creators%204%201458%20productivity.pdf>

Table of Contents Approximate Lateral Load Analysis By Portal Method

1. Understanding the eBook Approximate Lateral Load Analysis By Portal Method
 - The Rise of Digital Reading Approximate Lateral Load Analysis By Portal Method
 - Advantages of eBooks Over Traditional Books
2. Identifying Approximate Lateral Load Analysis By Portal Method
 - Exploring Different Genres
 - Considering Fiction vs. Non-Fiction
 - Determining Your Reading Goals
3. Choosing the Right eBook Platform
 - Popular eBook Platforms
 - Features to Look for in an Approximate Lateral Load Analysis By Portal Method
 - User-Friendly Interface
4. Exploring eBook Recommendations from Approximate Lateral Load Analysis By Portal Method

- Personalized Recommendations
- Approximate Lateral Load Analysis By Portal Method User Reviews and Ratings
- Approximate Lateral Load Analysis By Portal Method and Bestseller Lists
- 5. Accessing Approximate Lateral Load Analysis By Portal Method Free and Paid eBooks
 - Approximate Lateral Load Analysis By Portal Method Public Domain eBooks
 - Approximate Lateral Load Analysis By Portal Method eBook Subscription Services
 - Approximate Lateral Load Analysis By Portal Method Budget-Friendly Options
- 6. Navigating Approximate Lateral Load Analysis By Portal Method eBook Formats
 - ePub, PDF, MOBI, and More
 - Approximate Lateral Load Analysis By Portal Method Compatibility with Devices
 - Approximate Lateral Load Analysis By Portal Method Enhanced eBook Features
- 7. Enhancing Your Reading Experience
 - Adjustable Fonts and Text Sizes of Approximate Lateral Load Analysis By Portal Method
 - Highlighting and Note-Taking Approximate Lateral Load Analysis By Portal Method
 - Interactive Elements Approximate Lateral Load Analysis By Portal Method
- 8. Staying Engaged with Approximate Lateral Load Analysis By Portal Method
 - Joining Online Reading Communities
 - Participating in Virtual Book Clubs
 - Following Authors and Publishers Approximate Lateral Load Analysis By Portal Method
- 9. Balancing eBooks and Physical Books Approximate Lateral Load Analysis By Portal Method
 - Benefits of a Digital Library
 - Creating a Diverse Reading Collection Approximate Lateral Load Analysis By Portal Method
- 10. Overcoming Reading Challenges
 - Dealing with Digital Eye Strain
 - Minimizing Distractions
 - Managing Screen Time
- 11. Cultivating a Reading Routine Approximate Lateral Load Analysis By Portal Method
 - Setting Reading Goals Approximate Lateral Load Analysis By Portal Method
 - Carving Out Dedicated Reading Time
- 12. Sourcing Reliable Information of Approximate Lateral Load Analysis By Portal Method

- Fact-Checking eBook Content of Approximate Lateral Load Analysis By Portal Method
 - Distinguishing Credible Sources
13. Promoting Lifelong Learning
- Utilizing eBooks for Skill Development
 - Exploring Educational eBooks
14. Embracing eBook Trends
- Integration of Multimedia Elements
 - Interactive and Gamified eBooks

Approximate Lateral Load Analysis By Portal Method Introduction

In the digital age, access to information has become easier than ever before. The ability to download Approximate Lateral Load Analysis By Portal Method has revolutionized the way we consume written content. Whether you are a student looking for course material, an avid reader searching for your next favorite book, or a professional seeking research papers, the option to download Approximate Lateral Load Analysis By Portal Method has opened up a world of possibilities. Downloading Approximate Lateral Load Analysis By Portal Method provides numerous advantages over physical copies of books and documents. Firstly, it is incredibly convenient. Gone are the days of carrying around heavy textbooks or bulky folders filled with papers. With the click of a button, you can gain immediate access to valuable resources on any device. This convenience allows for efficient studying, researching, and reading on the go. Moreover, the cost-effective nature of downloading Approximate Lateral Load Analysis By Portal Method has democratized knowledge. Traditional books and academic journals can be expensive, making it difficult for individuals with limited financial resources to access information. By offering free PDF downloads, publishers and authors are enabling a wider audience to benefit from their work. This inclusivity promotes equal opportunities for learning and personal growth. There are numerous websites and platforms where individuals can download Approximate Lateral Load Analysis By Portal Method. These websites range from academic databases offering research papers and journals to online libraries with an expansive collection of books from various genres. Many authors and publishers also upload their work to specific websites, granting readers access to their content without any charge. These platforms not only provide access to existing literature but also serve as an excellent platform for undiscovered authors to share their work with the world. However, it is essential to be cautious while downloading Approximate Lateral Load Analysis By Portal Method. Some websites may offer pirated or illegally obtained copies of copyrighted material. Engaging in such activities not only violates copyright laws but also undermines the efforts of authors, publishers, and researchers. To ensure ethical downloading, it is advisable to utilize reputable websites that prioritize the legal distribution of content. When

downloading Approximate Lateral Load Analysis By Portal Method, users should also consider the potential security risks associated with online platforms. Malicious actors may exploit vulnerabilities in unprotected websites to distribute malware or steal personal information. To protect themselves, individuals should ensure their devices have reliable antivirus software installed and validate the legitimacy of the websites they are downloading from. In conclusion, the ability to download Approximate Lateral Load Analysis By Portal Method has transformed the way we access information. With the convenience, cost-effectiveness, and accessibility it offers, free PDF downloads have become a popular choice for students, researchers, and book lovers worldwide. However, it is crucial to engage in ethical downloading practices and prioritize personal security when utilizing online platforms. By doing so, individuals can make the most of the vast array of free PDF resources available and embark on a journey of continuous learning and intellectual growth.

FAQs About Approximate Lateral Load Analysis By Portal Method Books

How do I know which eBook platform is the best for me? Finding the best eBook platform depends on your reading preferences and device compatibility. Research different platforms, read user reviews, and explore their features before making a choice. Are free eBooks of good quality? Yes, many reputable platforms offer high-quality free eBooks, including classics and public domain works. However, make sure to verify the source to ensure the eBook credibility. Can I read eBooks without an eReader? Absolutely! Most eBook platforms offer web-based readers or mobile apps that allow you to read eBooks on your computer, tablet, or smartphone. How do I avoid digital eye strain while reading eBooks? To prevent digital eye strain, take regular breaks, adjust the font size and background color, and ensure proper lighting while reading eBooks. What the advantage of interactive eBooks? Interactive eBooks incorporate multimedia elements, quizzes, and activities, enhancing the reader engagement and providing a more immersive learning experience. Approximate Lateral Load Analysis By Portal Method is one of the best book in our library for free trial. We provide copy of Approximate Lateral Load Analysis By Portal Method in digital format, so the resources that you find are reliable. There are also many Ebooks of related with Approximate Lateral Load Analysis By Portal Method. Where to download Approximate Lateral Load Analysis By Portal Method online for free? Are you looking for Approximate Lateral Load Analysis By Portal Method PDF? This is definitely going to save you time and cash in something you should think about.

Find Approximate Lateral Load Analysis By Portal Method :

[States 4-1177 productivity hacks tips for creators 4-1458 productivity](#)

startups 4-2829 resume writing trends United States 4-77 resume writing
cloud computing blueprint United States 4-663 cloud computing blueprint
4-1613 data science careers for beginners for startups 4-1983 data
United States 4-1226 mental wellness tips for startups 4-402 mental
for small business 4-183 crypto trading roadmap for startups 4-1507
creators 4-2762 parenting tips for beginners for creators 4-592
America 4-1648 fitness routines blueprint America 4-312 fitness routines
tutorial for entrepreneurs 4-832 travel tips apps United States 4-958
4-2996 parenting tips roadmap for entrepreneurs 4-1589 parenting tips
America 4-834 affiliate marketing software America 4-950 affiliate
4-1059 productivity hacks tips USA 4-858 productivity hacks tips United
creators 4-2855 freelancing online comparison for entrepreneurs 4-746
growth trends United States 4-905 YouTube growth trends for
marketplace review for entrepreneurs 4-2206 NFT marketplace roadmap

Approximate Lateral Load Analysis By Portal Method :

danemark 1 400 000 die grosse shell autokarte eur pdf - Mar 09 2023

web merely said the danemark 1 400 000 die grosse shell autokarte eur pdf is universally compatible with any devices to read geo katalog geo center firm 1990 power and gas asset management miguel moreira da silva 2020 01 01 this book offers meaningful insights into an impending challenge for the energy industry namely the

dänemark 1 400 000 die große shell autokarte eurocart mit - Sep 03 2022

web dänemark 1 400 000 die große shell autokarte eurocart mit jugoslawien die grosse shell autokarte 1 750 000 mit notrufnummern und wichtigen verkehrrs tips jugoslavia sic shell road map 1 750 000 yougoslavie shell carte routiere city of denmark as of 1 january 2020 the city had a population of 794 128 with 632 340 in

danemark 1 400 000 die grosse shell autokarte eur copy - Oct 04 2022

web right here we have countless books danemark 1 400 000 die grosse shell autokarte eur and collections to check out we additionally offer variant types and moreover type of the books to browse the customary book fiction history novel scientific research as without difficulty as various further sorts of books are readily open here

danemark 1 400 000 die grosse shell autokarte eur download - Sep 15 2023

web 4 danemark 1 400 000 die grosse shell autokarte eur 2023 03 12 denmark the book offers a clear explanation of each

step in the acquisition process from the perspectives of both the purchaser and the seller key areas covered include structuring the transaction due diligence contractual protection consideration and the impact of

[read free danmark 1 400 000 die grosse shell autokarte eur](#) - Dec 06 2022

web right here we have countless ebook danmark 1 400 000 die grosse shell autokarte eur and collections to check out we additionally find the money for variant types and with type of the books to browse the normal book fiction history novel scientific research as without difficulty as various extra sorts of books are readily simple here

[danmark 1 400 000 die grosse shell autokarte eur pdf full pdf](#) - Feb 08 2023

web 1 danmark 1 400 000 die grosse shell autokarte eur pdf if you ally infatuation such a referred danmark 1 400 000 die grosse shell autokarte eur pdf ebook that will find the money for you worth acquire the categorically best seller from us currently from several preferred authors if you desire to humorous books lots of novels tale jokes

[danmark 1 400 000 die grosse shell autokarte eur 2023](#) - Nov 05 2022

web feb 27 2023 success next door to the statement as skillfully as insight of this danmark 1 400 000 die grosse shell autokarte eur can be taken as with ease as picked to act the story of the great war francis joseph reynolds 1916 the geology of central europe tom mccann 2008

tank tourismus nach dänemark diesel bis zu 50 cent günstiger - May 31 2022

web mar 15 2022 zurzeit liegen die spritpreise in deutschland auf rekordniveau nachdem sie in den ersten beiden wochen des ukraine krieges in die höhe schossen diesel hat sich seit kriegsbeginn um gut 64 cent

danemark 1 400 000 die grosse shell autokarte eur 2022 - Jan 07 2023

web 2 danmark 1 400 000 die grosse shell autokarte eur 2022 12 26 experienced partner in the leading international law firm gorrissen federspiel provides a concise practical analysis of current law and practice relating to mergers and acquisitions of public and private companies in denmark the book offers a clear

[dã nemark 1 400 000 die groã e shell autokarte eurocart mit](#) - Jul 13 2023

web may 10th 2020 jugoslawien die grosse shell autokarte 1 750 000 mit notrufnummern und wichtigen verkehrs tips dã nemark 1 400 000 die groã e shell autokarte eurocart mit notrufnummern und wichtigen verkehrs tips by web

[shell tankkarte leistungen und akzeptanz infos hier](#) - Apr 10 2023

web die shell tankkarte ist für den gewerblichen straßentransport für busunternehmen und pkw flotten optimal einsetzbar die euroshell tankkarte findet eine große akzeptanz national wird sie an über 2200 shellstationen und an 2000 dea esso und avia stationen gern gesehen zusätzlich wird sie noch an 600 a t u filialen akzeptiert

[dänemark 1 400 000 die große shell autokarte eurocart mit](#) - Jun 12 2023

web dänemark 1 400 000 die große shell autokarte eurocart mit notrufnummern und wichtigen verkehrs tips by la liste des

licenciements de pierre jovanovic en fil continu june 5th 2020 bruxelles aviation supprime 1 000 emplois de pilotes pos et hotesses s 2020 mai en espagne 121 827 pme ont ferme en avril 2020 ce qui colle a un mimum de 400 000

danemark 1 400 000 die grosse shell autokarte eur novak - May 11 2023

web danemark 1 400 000 die grosse shell autokarte eur if you ally need such a referred danemark 1 400 000 die grosse shell autokarte eur books that will manage to pay for you worth get the no question best seller from us currently from several preferred authors if you desire to droll books lots of novels tale jokes and more fictions

danemark 1 400 000 die grosse shell autokarte eur sven - Apr 29 2022

web danemark 1 400 000 die grosse shell autokarte eur 1 400 000 die grosse shell autokarte eur after that it is not directly done you could take on even more approximately this life roughly speaking the world we pay for you this proper as capably as simple quirk to acquire those all we come up with the money for danemark 1 400 000 die

shell tankkarte - Jul 01 2022

web we would like to show you a description here but the site won t allow us

dänemark 1 400 000 die große shell autokarte eurocart mit - Aug 14 2023

web jun 15 2023 dänemark 1 400 000 die große shell autokarte eurocart mit notrufnummern und wichtigen verkehrs tips by österreich die grosse shell autokarte 1 750 000 mit notrufnummern und wichtigen verkehrs tips austria shell road the capital and most populous city of denmark as of 1 january 2020 the city had a population of 794 128

dänemark 1 400 000 die große shell autokarte eurocart mit - Feb 25 2022

web dänemark 1 400 000 die große shell autokarte eurocart mit notrufnummern und wichtigen verkehrs tips by jugoslawien die grosse shell autokarte 1 750 000 mit notrufnummern und wichtigen verkehrs tips jugoslavia sic shell road map 1 750 000 allemagne 101 pour 1 million danemark 99 pour 1 million iran 92 pour 1 rubriques 5 et 6

dänemark 1 400 000 die große shell autokarte eurocart mit - Mar 29 2022

web may 7th 2020 jugoslawien die grosse shell autokarte 1 750 000 mit notrufnummern und wichtigen verkehrs tips

jugoslavia sic shell road map 1 750 000 yougoslavie shell carte routiere 1 750 000 mairs geographischer verlag frühbucher urlaub 2020 die besten angebote bei holidaycheck edms ncdmb gov ng 1 4

alles rund ums autofahren in dänemark dein guide für einen - Aug 02 2022

web sep 11 2023 diese sind oft gestellte fragen die wir bei esmark für unsere ferienhausgäste beantworten und deshalb haben wir uns jetzt dafür entschieden einen generellen guide rund ums autofahren in dänemark zusammenzustellen so kannst du dich ganz entspannt ins auto setzen und die kurze strecke bis zur dänischen

dänemark 1 400 000 die große shell autokarte eurocart mit - Jan 27 2022

web sep 2 2023 november 10th 2019 österreich die grosse shell autokarte 1 750 000 mit notrufnummern und wichtigen

verkehrs tips austria shell road map 1 750 000 autriche shell carte routière 1 750 000 austria shell road map 1 750 000
autriche shell carte routière 1 750 000 catalog record only laufzeit 1986 88 relief shown by shading and

[acquisition of consolidated rail corp a case analysis](#) - Jun 23 2022

web apr 13 1998 subjects covered acquisitions auctions competitive bidding deregulation game theory management
controls mergers valuation by benjamin c esty mathew

acquisition of consolidated rail corp b case solution - Sep 07 2023

web 1 why did nsc bid for consolidated rail corp there are four major reasons for the nsc bid for consolidated rail corp these
are as follows a stop csx from acquiring

the acquisition of consolidated rail corporation a - Feb 17 2022

web oct 3 2023 case study scholar the acquisition of consolidated rail corporation a consolidated rail with 3 ocs how to
acquire a consolidated rail

the acquisition of consolidated rail corporation a - Aug 06 2023

web jan 1 2018 see full pdfdownload pdf the acquisition of consolidated rail corporation a after eight days of intense
negotiations in a new york city hotel room

[acquisition of consolidated rail corp a case solution and](#) - Oct 28 2022

web october 15 1996 virginia and pennsylvania based csx consolidated rail conrail the first and the third largest railroad in
the eastern united states has announced its

[acquisition of consolidated rail corp b hbr store](#) - Aug 26 2022

web product description eight days after csx announced it was going to buy consolidated rail conrail for 88 65 per share
norfolk southern made a hostile 100 per share bid

acquisition of consolidated rail corporation a the - Oct 08 2023

web share abstract on october 15 1996 virginia based csx and pennsylvania based consolidated rail conrail the first and third
largest railroads in the eastern united

[conrail case study nyu](#) - Jul 05 2023

web the acquisition of consolidated rail corp a hbs case 9 298 006 in mid 1996 pennsylvania based consolidated rail corp
conrail the third largest railroad in the

acquisition of consolidated rail corp a harvard business - Apr 02 2023

web apr 13 1998 acquisition of consolidated rail corp a by benjamin c esty mathew mateo millett on october 15 1996
virginia based csx and pennsylvania based

[the acquisition of consolidated rail corporation a and](#) - Jun 04 2023

Approximate Lateral Load Analysis By Portal Method

web jun 27 1998 the b case is set in january 1997 just before conrail shareholders are scheduled to vote on the proposed deal with csx the case analyzes the bidding war for

the acquisition of consolidated rail corporation a b the - Nov 28 2022

web the acquisition of consolidated rail corporation b supplement reference no 9 203 s05 spanish language subject category finance accounting and control the case

acquisition of consolidated rail corporation b the - Mar 01 2023

web the case is set in january 1997 just before conrail shareholders are scheduled to vote on the proposed deal with csx it analyzes the trend toward consolidation in the u s

the acquisition of consolidated rail corporation b the case - Dec 18 2021

web may 8 2023 exact match more search options login register

acquisition of consolidated rail corporation a the case centre - Nov 16 2021

web exact match more search options login register

acquisition of consolidated rail corporation a the case centre - Dec 30 2022

web on 15 october 1996 virginia based csx and pennsylvania based consolidated rail conrail the first and third largest railroads in the eastern united states announced

the acquisition of consolidated rail corporation a b case - Apr 21 2022

web question 1 a hostile bid was made by norfolk southern for conrail due to the fact that the merger of csx and conrail was going to result in a massive amount of revenue loss to

acquisition of consolidated rail corp a 10 steps case study - May 23 2022

web case study description on october 15 1996 virginia based csx and pennsylvania based consolidated rail conrail the first and third largest railroads in the eastern united

acquisition of consolidated rail corp a case study solution - Mar 21 2022

web the consolidated rail corporation conrail has been in existence since late 2014 has been a major player in the rail industry through its acquisition of several of the world s

the acquisition of consolidated rail corporation a b the - Sep 26 2022

web the acquisition of consolidated rail corporation a b the case 0

the acquisition of consolidated rail corporation a b case - Jul 25 2022

web the acquisition of consolidated rail corporation a b case study analysis there is a significant number of reasons due to which csx contemplated to purchase conrail

the acquisition of consolidated rail corporation a and b - Jan 19 2022

web jun 1 1998 the acquisition of consolidated rail corporation a and b b esty published 1 june 1998 business subject areas mergers and acquisitions hostile

mba hbr acquisition of consolidated rail corp a case study - May 03 2023

web case description of acquisition of consolidated rail corp a case study on october 15 1996 virginia based csx and pennsylvania based consolidated rail conrail the

acquisition of consolidated rail corporation b the case centre - Jan 31 2023

web may 20 2001 the acquisition of consolidated rail corporation a b teaching note reference no 5 298 087 subject category finance accounting and control the

venise et l orient 828 1797 testapi mobal - Apr 16 2022

web venise et l orient 828 1797 downloaded from testapi mobal com by guest orr isabel melchior lorck biography and primary sources walter de gruyter from 828 when

amazon fr venise et l orient 828 1797 collectifs - Oct 03 2023

web noté 5 retrouvez venise et l orient 828 1797 et des millions de livres en stock sur amazon fr achetez neuf ou d occasion parsian evin hotel tehran Iran otel yorumları tripadvisor - Dec 13 2021

web 187 yorum tehran bölgesindeki 72 otel arasında 22 sırada yer temizlik hizmet değer tahran seyahati yapan gezginler için parsian evin hotel harika bir seçim bütçeye

venise et l orient 828 1797 amazon it - Dec 25 2022

web l œuvre d art islamique est ainsi intégrée à une culture qui l absorbe et la rend sienne opérant ainsi à travers les siècles une transmission des savoirs et des techniques de

venise et l orient 828 1797 2023 - Jun 30 2023

web auteurs européens passés ou non par alep pendant la période ottomane 1516 1918 dont les œuvres évoquant la métropole syrienne relèvent de la littérature de voyage centre

venise lorient 828 1797 abebooks - Sep 21 2022

web venise et l orient 828 1797 livres d art french edition by collectifs and a great selection of related books art and collectibles available now at abebooks com

details for venise et l orient 828 1797 koha online catalogue - Nov 11 2021

web for british museum staff only current staff with library accounts may log in here or to register for a library account register here for all other readers please visit us on site

venise et l orient venise autrement - Mar 16 2022

web aug 23 2023 je vous propose un voyage entre deux mondes entre occident et orient venise est asiatique et arabe elle

est aussi byzantine gothique et lombarde mais

[venise et l orient 828 1797 institut du monde arabe france](#) - May 30 2023

web riche de 350 illustrations en couleurs d objets provenant de collections vénitiennes et de musées internationaux d essais et de notices des plus grands spécialistes du domaine

[lorient wikipe di](#) - Feb 12 2022

web lorient fransızca telaffuz l ı kja bretonca an oriant morhiban bölümünde fransa nın kuzey batı bölgesinde yer alan yerleşim yeridir tarihçe prehistorya ve klasik antik mÖ

[venise et l orient 828 1797 exposition présentée à l iinstitut du](#) - Aug 21 2022

web select search scope currently catalog all catalog articles website more in one search catalog books media more in the stanford libraries collections articles journal

venise et l orient mille ans d un couple méconnu afrik com - May 18 2022

web oct 3 2006 pour réparer cette ignorance l institut du monde arabe à paris organise du 3 octobre au 18 février prochain une exposition intitulée venise et l orient la république

[venise et l orient 828 1797 hardcover 11 oct 2006](#) - Jul 20 2022

web buy venise et l orient 828 1797 by collectifs carboni stefano isbn 9782070118168 from amazon s book store everyday low prices and free delivery on eligible orders

details for venise et l orient 828 1797 british museum library - Aug 01 2023

web cookies on the british museum library catalogue we have placed some essential cookies on your device to make our site work select accept only essential cookies to allow

[pierre loti nın constantinople en 1890 baŞlikli](#) - Jan 14 2022

web iii Öz pierre loti nın constantinople en 1890 baŞlikli eserinin türkçe çevirisinde İstanbul anlatiminin eşdeğerlik kavramına göre İncelenmesi

venise et l orient livres d art gallimard site gallimard - Sep 02 2023

web oct 11 2006 venise et l orient 828 1797 trad de l anglais et de l italien par jacques bosser jeanne bouniort marianne bouvier divina cabo dennis collins lise Éliane

venise et l orient 828 1797 paris l institut du monde arabe - Oct 23 2022

web hardcover purple boards with color pictorial front 375 pp many color plates in french vg item 133390 isbn 2070118169 2007 exhibition at l institut du monde arabe paris and

[venise et l orient 828 1797 relié collectif fnac](#) - Mar 28 2023

web 828 1797 venise et l orient collectif gallimard des milliers de livres avec la livraison chez vous en 1 jour ou en magasin

avec 5 de réduction venise et l orient 828

venise et l orient 828 1797 beau livre decitre - Nov 23 2022

web oct 15 2006 venise et l orient 828 1797 de stefano carboni Éditeur gallimard livraison gratuite à 0 01 dès 35 d achat
librairie decitre votre prochain livre est là

venise et l orient 828 1797 compte rendu request pdf - Jun 18 2022

web request pdf on jan 1 2007 sandra aube published venise et l orient 828 1797 compte rendu find read and cite all the
research you need on researchgate article

venise et l orient 828 1797 by l institut du monde arabe paris et - Jan 26 2023

web paris editions gallimard 2006 hardcover vg purple boards with color pictorial front 375 pp many color plates in french
2007 exhibition at l institut du monde arabe paris and

venise et l orient 828 1797 by stefano carboni open library - Apr 28 2023

web venise et l orient 828 1797 exposition présentée à l institut du monde arabe paris du 2 octobre 2006 au 18 février 2007
au metropolitan museum of art new york du 26 mars

venise et l orient 828 1797 by collectifs goodreads - Feb 24 2023

web jan 1 2006 riche de 350 illustrations en couleurs d objets provenant de collections vénitiennes et de musées
internationaux d essais et de notices des plus grands