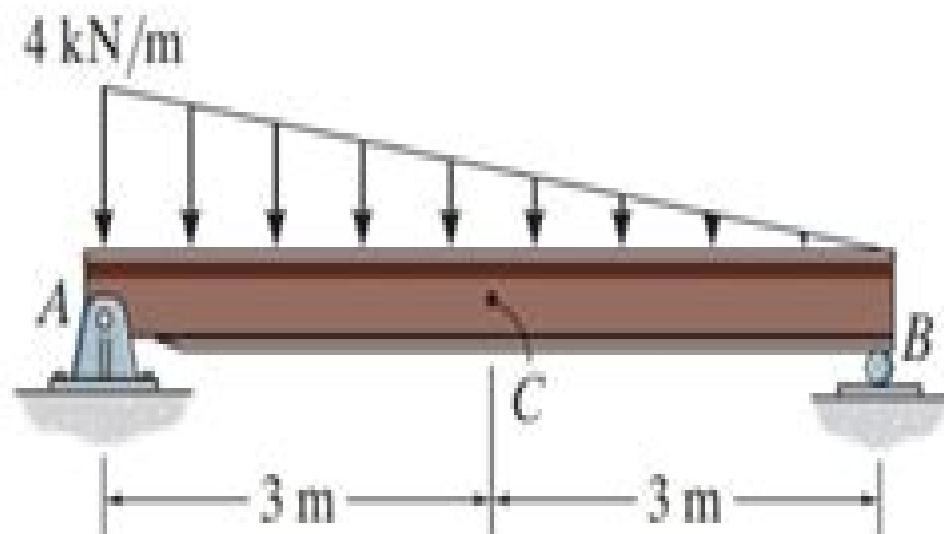
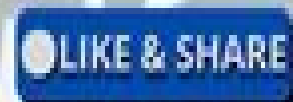


7-6. Determine the internal normal force, shear force, and moment at point C in the simply supported beam.



HOW TO SOLVE 7-6?

ENGINEERING MECHANICS
STATICS
TWELFTH EDITION



R. C. HIBBELER

Chapter 7 Solutions Hibbeler Statics

RC Schank



Chapter 7 Solutions Hibbeler Statics:

The Top Books of the Year Chapter 7 Solutions Hibbeler Statics The year 2023 has witnessed a remarkable surge in literary brilliance, with numerous engrossing novels enthraling the hearts of readers worldwide. Let's delve into the realm of bestselling books, exploring the captivating narratives that have enthralled audiences this year.

The Must-Read : Colleen Hoover "It Ends with Us" This heartfelt tale of love, loss, and resilience has gripped readers with its raw and emotional exploration of domestic abuse. Hoover skillfully weaves a story of hope and healing, reminding us that even in the darkest of times, the human spirit can succeed.

Chapter 7 Solutions Hibbeler Statics : Taylor Jenkins Reids "The Seven Husbands of Evelyn Hugo" This spellbinding historical fiction novel unravels the life of Evelyn Hugo, a Hollywood icon who defies expectations and societal norms to pursue her dreams. Reids' compelling storytelling and compelling characters transport readers to a bygone era, immersing them in a world of glamour, ambition, and self-discovery.

Discover the Magic : Delia Owens "Where the Crawdads Sing" This mesmerizing coming-of-age story follows Kya Clark, a young woman who grows up alone in the marshes of North Carolina. Owens crafts a tale of resilience, survival, and the transformative power of nature, captivating readers with its evocative prose and mesmerizing setting.

These popular novels represent just a fraction of the literary treasures that have emerged in 2023. Whether you seek tales of romance, adventure, or personal growth, the world of literature offers an abundance of engaging stories waiting to be discovered.

The novel begins with Richard Papen, a bright but troubled young man, arriving at Hampden College. Richard is immediately drawn to the group of students who call themselves the Classics Club. The club is led by Henry Winter, a brilliant and charismatic young man. Henry is obsessed with Greek mythology and philosophy, and he quickly draws Richard into his world. The other members of the Classics Club are equally as fascinating. Bunny Corcoran is a wealthy and spoiled young man who is always looking for a good time. Charles Tavis is a quiet and reserved young man who is deeply in love with Henry. Camilla Macaulay is a beautiful and intelligent young woman who is drawn to the power and danger of the Classics Club. The students are all deeply in love with Morrow, and they are willing to do anything to please him. Morrow is a complex and mysterious figure, and he seems to be manipulating the students for his own purposes. As the students become more involved with Morrow, they begin to commit increasingly dangerous acts.

The Secret History is a brilliant and suspenseful novel that will keep you speculating until the very end. The novel is a warning tale about the dangers of obsession and the power of evil.

https://py.bijouxmedusa.com/data/scholarship/Download_PDFS/640_soccer_drills_for_kids_u6_u12_soccer_football_practice_drills_for_youth_coaching_skills_training_youth_soccer_coaching_drills_guide_volume_5.pdf

Table of Contents Chapter 7 Solutions Hibbeler Statics

1. Understanding the eBook Chapter 7 Solutions Hibbeler Statics
 - The Rise of Digital Reading Chapter 7 Solutions Hibbeler Statics
 - Advantages of eBooks Over Traditional Books
2. Identifying Chapter 7 Solutions Hibbeler Statics
 - Exploring Different Genres
 - Considering Fiction vs. Non-Fiction
 - Determining Your Reading Goals
3. Choosing the Right eBook Platform
 - Popular eBook Platforms
 - Features to Look for in an Chapter 7 Solutions Hibbeler Statics
 - User-Friendly Interface
4. Exploring eBook Recommendations from Chapter 7 Solutions Hibbeler Statics
 - Personalized Recommendations
 - Chapter 7 Solutions Hibbeler Statics User Reviews and Ratings
 - Chapter 7 Solutions Hibbeler Statics and Bestseller Lists
5. Accessing Chapter 7 Solutions Hibbeler Statics Free and Paid eBooks
 - Chapter 7 Solutions Hibbeler Statics Public Domain eBooks
 - Chapter 7 Solutions Hibbeler Statics eBook Subscription Services
 - Chapter 7 Solutions Hibbeler Statics Budget-Friendly Options
6. Navigating Chapter 7 Solutions Hibbeler Statics eBook Formats
 - ePub, PDF, MOBI, and More
 - Chapter 7 Solutions Hibbeler Statics Compatibility with Devices
 - Chapter 7 Solutions Hibbeler Statics Enhanced eBook Features
7. Enhancing Your Reading Experience
 - Adjustable Fonts and Text Sizes of Chapter 7 Solutions Hibbeler Statics
 - Highlighting and Note-Taking Chapter 7 Solutions Hibbeler Statics
 - Interactive Elements Chapter 7 Solutions Hibbeler Statics
8. Staying Engaged with Chapter 7 Solutions Hibbeler Statics

- Joining Online Reading Communities
 - Participating in Virtual Book Clubs
 - Following Authors and Publishers Chapter 7 Solutions Hibbeler Statics
9. Balancing eBooks and Physical Books Chapter 7 Solutions Hibbeler Statics
- Benefits of a Digital Library
 - Creating a Diverse Reading Collection Chapter 7 Solutions Hibbeler Statics
10. Overcoming Reading Challenges
- Dealing with Digital Eye Strain
 - Minimizing Distractions
 - Managing Screen Time
11. Cultivating a Reading Routine Chapter 7 Solutions Hibbeler Statics
- Setting Reading Goals Chapter 7 Solutions Hibbeler Statics
 - Carving Out Dedicated Reading Time
12. Sourcing Reliable Information of Chapter 7 Solutions Hibbeler Statics
- Fact-Checking eBook Content of Chapter 7 Solutions Hibbeler Statics
 - Distinguishing Credible Sources
13. Promoting Lifelong Learning
- Utilizing eBooks for Skill Development
 - Exploring Educational eBooks
14. Embracing eBook Trends
- Integration of Multimedia Elements
 - Interactive and Gamified eBooks

Chapter 7 Solutions Hibbeler Statics Introduction

In today's digital age, the availability of Chapter 7 Solutions Hibbeler Statics books and manuals for download has revolutionized the way we access information. Gone are the days of physically flipping through pages and carrying heavy textbooks or manuals. With just a few clicks, we can now access a wealth of knowledge from the comfort of our own homes or on the go. This article will explore the advantages of Chapter 7 Solutions Hibbeler Statics books and manuals for download, along with some popular platforms that offer these resources. One of the significant advantages of Chapter 7 Solutions Hibbeler Statics books and manuals for download is the cost-saving aspect. Traditional books and manuals can be costly,

especially if you need to purchase several of them for educational or professional purposes. By accessing Chapter 7 Solutions Hibbeler Statics versions, you eliminate the need to spend money on physical copies. This not only saves you money but also reduces the environmental impact associated with book production and transportation. Furthermore, Chapter 7 Solutions Hibbeler Statics books and manuals for download are incredibly convenient. With just a computer or smartphone and an internet connection, you can access a vast library of resources on any subject imaginable. Whether you're a student looking for textbooks, a professional seeking industry-specific manuals, or someone interested in self-improvement, these digital resources provide an efficient and accessible means of acquiring knowledge. Moreover, PDF books and manuals offer a range of benefits compared to other digital formats. PDF files are designed to retain their formatting regardless of the device used to open them. This ensures that the content appears exactly as intended by the author, with no loss of formatting or missing graphics. Additionally, PDF files can be easily annotated, bookmarked, and searched for specific terms, making them highly practical for studying or referencing. When it comes to accessing Chapter 7 Solutions Hibbeler Statics books and manuals, several platforms offer an extensive collection of resources. One such platform is Project Gutenberg, a nonprofit organization that provides over 60,000 free eBooks. These books are primarily in the public domain, meaning they can be freely distributed and downloaded. Project Gutenberg offers a wide range of classic literature, making it an excellent resource for literature enthusiasts. Another popular platform for Chapter 7 Solutions Hibbeler Statics books and manuals is Open Library. Open Library is an initiative of the Internet Archive, a non-profit organization dedicated to digitizing cultural artifacts and making them accessible to the public. Open Library hosts millions of books, including both public domain works and contemporary titles. It also allows users to borrow digital copies of certain books for a limited period, similar to a library lending system. Additionally, many universities and educational institutions have their own digital libraries that provide free access to PDF books and manuals. These libraries often offer academic texts, research papers, and technical manuals, making them invaluable resources for students and researchers. Some notable examples include MIT OpenCourseWare, which offers free access to course materials from the Massachusetts Institute of Technology, and the Digital Public Library of America, which provides a vast collection of digitized books and historical documents. In conclusion, Chapter 7 Solutions Hibbeler Statics books and manuals for download have transformed the way we access information. They provide a cost-effective and convenient means of acquiring knowledge, offering the ability to access a vast library of resources at our fingertips. With platforms like Project Gutenberg, Open Library, and various digital libraries offered by educational institutions, we have access to an ever-expanding collection of books and manuals. Whether for educational, professional, or personal purposes, these digital resources serve as valuable tools for continuous learning and self-improvement. So why not take advantage of the vast world of Chapter 7 Solutions Hibbeler Statics books and manuals for download and embark on your journey of knowledge?

FAQs About Chapter 7 Solutions Hibbeler Statics Books

How do I know which eBook platform is the best for me? Finding the best eBook platform depends on your reading preferences and device compatibility. Research different platforms, read user reviews, and explore their features before making a choice. Are free eBooks of good quality? Yes, many reputable platforms offer high-quality free eBooks, including classics and public domain works. However, make sure to verify the source to ensure the eBook credibility. Can I read eBooks without an eReader? Absolutely! Most eBook platforms offer webbased readers or mobile apps that allow you to read eBooks on your computer, tablet, or smartphone. How do I avoid digital eye strain while reading eBooks? To prevent digital eye strain, take regular breaks, adjust the font size and background color, and ensure proper lighting while reading eBooks. What the advantage of interactive eBooks? Interactive eBooks incorporate multimedia elements, quizzes, and activities, enhancing the reader engagement and providing a more immersive learning experience. Chapter 7 Solutions Hibbeler Statics is one of the best book in our library for free trial. We provide copy of Chapter 7 Solutions Hibbeler Statics in digital format, so the resources that you find are reliable. There are also many Ebooks of related with Chapter 7 Solutions Hibbeler Statics. Where to download Chapter 7 Solutions Hibbeler Statics online for free? Are you looking for Chapter 7 Solutions Hibbeler Statics PDF? This is definitely going to save you time and cash in something you should think about. If you trying to find then search around for online. Without a doubt there are numerous these available and many of them have the freedom. However without doubt you receive whatever you purchase. An alternate way to get ideas is always to check another Chapter 7 Solutions Hibbeler Statics. This method for see exactly what may be included and adopt these ideas to your book. This site will almost certainly help you save time and effort, money and stress. If you are looking for free books then you really should consider finding to assist you try this. Several of Chapter 7 Solutions Hibbeler Statics are for sale to free while some are payable. If you arent sure if the books you would like to download works with for usage along with your computer, it is possible to download free trials. The free guides make it easy for someone to free access online library for download books to your device. You can get free download on free trial for lots of books categories. Our library is the biggest of these that have literally hundreds of thousands of different products categories represented. You will also see that there are specific sites catered to different product types or categories, brands or niches related with Chapter 7 Solutions Hibbeler Statics. So depending on what exactly you are searching, you will be able to choose e books to suit your own need. Need to access completely for Campbell Biology Seventh Edition book? Access Ebook without any digging. And by having access to our ebook online or by storing it on your computer, you have convenient answers with Chapter 7 Solutions Hibbeler Statics To get started finding Chapter 7 Solutions Hibbeler Statics, you are right to find our website which has a comprehensive collection of books online. Our library is the biggest of these that have literally hundreds of thousands of different products represented. You will also see that there are specific sites catered to different categories or niches related with Chapter 7

Solutions Hibbeler Statics So depending on what exactly you are searching, you will be able to choose ebook to suit your own need. Thank you for reading Chapter 7 Solutions Hibbeler Statics. Maybe you have knowledge that, people have search numerous times for their favorite readings like this Chapter 7 Solutions Hibbeler Statics, but end up in harmful downloads. Rather than reading a good book with a cup of coffee in the afternoon, instead they juggled with some harmful bugs inside their laptop. Chapter 7 Solutions Hibbeler Statics is available in our book collection an online access to it is set as public so you can download it instantly. Our digital library spans in multiple locations, allowing you to get the most less latency time to download any of our books like this one. Merely said, Chapter 7 Solutions Hibbeler Statics is universally compatible with any devices to read.

Find Chapter 7 Solutions Hibbeler Statics :

[640 soccer drills for kids u6 u12 soccer football practice drills for youth coaching skills training youth soccer coaching drills guide volume 5](#)

2017 18 handbook connecticut association of schools

2016 17 hull ceg home

2212562381 bfr14

[2017 nec significant code changes part 2](#)

2011 subaru legacy service

6 pin lawn mower ignition switch wiring

~~25 complex text passages to meet the common core literature and informational texts grade 5 25 complex text passages grade 5 paperback~~

2007 gmc sierra bluetooth sync guide

60950 1 nd a2 iee

[2009 ford flex repair manual](#)

~~250 essential japanese kanji characters volume 2 revised edition~~

~~2011 genesis coupe manual transmission problems~~

[2015 ford ranger px workshop](#)

2007 nissan pathfinder service manual

Chapter 7 Solutions Hibbeler Statics :

statistical process control demystified kağıt kapak - May 12 2023

web arama yapmak istediğiniz kategoriyi seçin

statistical process control demystified paperback amazon co uk - Jun 01 2022

web statistical process control demystified shows you how to use spc to enable data driven decision making and gain a competitive advantage in the marketplace written in a step by step format this practical guide explains how to analyze process data collect data and determine the suitability of a process in meeting requirements

statistical process control demystified google play - Jan 08 2023

web statistical process control demystified ebook written by paul a keller read this book using google play books app on your pc android ios devices download for offline reading highlight bookmark or take notes while you

[statistical process control demystified book](#) - Dec 07 2022

web ez spc statistical process control demystified jan 16 2023 this book is a how to manual for implementing a statistical process control program for any type of business it takes the unnecessarily complicated sometimes intimidating statistical process control concept thoroughly dissects and demystifies it while making it very easy to

statistical process control demystified by paul a keller ebook - Aug 03 2022

web statistical process control demystified shows you how to use spc to enable data driven decision making and gain a competitive advantage in the marketplace written in a step by step format this practical guide explains how to analyze process data collect data and determine the suitability of a process in meeting requirements

statistical process control demystified open library - Apr 11 2023

web may 4 2023 table of contents 1 analyzing process data the application of statistics to processes a process defined population versus process statistics statistical

statistical process control demystified rent chegg - Nov 06 2022

web aug 9 2011 statistical process control demystified shows you how to use spc to enable data driven decision making and gain a competitive advantage in the marketplace written in a step by step format this practical guide explains how to analyze process data collect data and determine the suitability of a process in meeting

pdf statistical process control demystified full yumpu - Feb 26 2022

web oct 7 2020 download statistical process control demystified pdf there are occasions once i simply cannot set the e book down the main reason why is since im pretty serious about what i am examining to download statistical process control demystified pdf once you locate a e book that really gets

pdf statistical process control researchgate - Mar 30 2022

web feb 4 2019 in this paper researcher intend to analyze the production line of a product detect assignable variations in process and calculate the capability of the process using statistical process control

statistical process control demystified demystified - Mar 10 2023

web identify and reduce variation in business processes using spc the powerful analysis tool for process evaluation and improvement statistical process control demystified shows you how to use spc to enable data driven decision making and gain a competitive advantage in the marketplace

statistical process control demystified google books - Jul 14 2023

web jun 5 2011 statistical process control demystified shows you how to use spc to enable data driven decision making and gain a competitive advantage in the marketplace written in a step by step format this

statistical process control demystified spc training book - Oct 05 2022

web statistical process control demystified is written in a step by step format and provides detailed instructions on how to collect and analyze process data to determine the suitability of a process in meeting requirements attribute and variable control charts are discussed

statistical process control an overview sciencedirect topics - Apr 30 2022

web statistical process control statistical process control spc is the application of statistical methods to the monitoring and control of a manufacturing process to ensure that it operates at its full potential to produce a conforming product from developments in surface contamination and cleaning applications of cleaning techniques 2013

statistical process control demystified request pdf - Feb 09 2023

web feb 14 2011 statistical process control demystified is written in a step by step format and provides detailed instructions on how to collect and analyze process data to determine the suitability of a

statistical process control demystified skill experto - Dec 27 2021

web jun 5 2011 statistical process control demystified shows you how to use spc to enable data driven decision making and gain a competitive advantage in the marketplace written in a step by step format this practical guide explains how to analyze process data collect data and determine the suitability of a process in meeting requirements

statistical process control demystified e kitap paul keller - Jun 13 2023

web statistical process control demystified shows you how to use spc to enable data driven decision making and gain a competitive advantage in the marketplace written in a step by step format this practical guide explains how to analyze process data collect data and determine the suitability of a process in meeting requirements

statistical process control demystified scribd - Sep 04 2022

web identify and reduce variation in business processes using spc the powerful analysis tool for process evaluation and

improvement statistical process control demystified shows you how to use spc to enable data driven decision making and gain a competitive advantage in the marketplace

[statistical process control definition steps history video](#) - Jan 28 2022

web may 11 2022 statistical control in statistics is a term that refers to the process of monitoring and controlling variation in a process it can be done using a variety of methods including control charts

[statistical process control demystified amazon com](#) - Aug 15 2023

web aug 9 2011 identify and reduce variation in business processes using spc the powerful analysis tool for process evaluation and improvement statistical process control demystified shows you how to use spc to enable data driven decision making and gain a competitive advantage in the marketplace

[statistical process control demystified overdrive](#) - Jul 02 2022

web jun 5 2011 statistical process control demystified shows you how to use spc to enable data driven decision making and gain a competitive advantage in the marketplace written in a step by step format this practical guide explains how to analyze process data collect data and determine the suitability of a process in meeting requirements

[algorithms design and analysis part 1 stanford online](#) - Jul 21 2022

web in this course you will learn several fundamental principles of algorithm design you ll learn the divide and conquer design paradigm with applications to fast sorting searching and multiplication you ll learn several blazingly fast primitives for computing on graphs such as how to compute connectivity information and shortest paths

design and analysis of algorithms reconsidered 2023 - Jun 19 2022

web web mar 16 2022 1 3 analysis of algorithms a complete analysis of the running time of an algorithm involves the following steps implement the algorithm completely determine the time required for each basic operation identify unknown quantities that can be used to describe the frequency of execution of

pdf design and analysis of algorithms reconsidered semantic - Aug 22 2022

web the journal enlightening two views models of algorithm based problem solution based on the identification of few principal dimensions and catalogs main steps in this process of solving a problem with adeline computer the paper elucidates two views models concerning algorithmic problem solving the first one is stability it is based up the

design and analysis of algorithms reconsidered acm sigcse - Aug 02 2023

web the paper elucidates two views models of algorithmic problem solving the first one is static it is based on the identification of several principal dimensions of algorithmic problem solving th

design and analysis of algorithms geeksforgeeks - Sep 22 2022

web sep 26 2023 what is algorithm and why analysis of it is important asymptotic notation and analysis based on input size

in complexity analysis of algorithms worst average and best case analysis of algorithms types of asymptotic notations in complexity analysis of algorithms how to analyse loops for complexity analysis of algorithms

use of evolutionary optimization algorithms for the design and analysis - May 19 2022

web nov 3 2023 with the rapid advance of machine learning techniques and the increased availability of high speed computing resources it has become possible to exploit machine learning technologies to aid in the design of photonic devices in this work we use evolutionary optimization algorithms machine learning techniques and the drift

introduction to the design and analysis of algorithms section 01 - Jan 27 2023

web 2 design a greedy algorithm when appropriate including a proof of its correctness 3 follow and use fairly complex graph theoretic algorithms such as a max flow algorithm 4 design simple geometric algorithms involving scanning or divide and conquer techniques 5 simulate the euclidean and extended euclidean classical number theoretic

design and analysis of algorithms department of computer - Oct 24 2022

web worst case and average case analysis asymptotics and big o notation polynomial and exponential growth asymptotic estimates of costs for simple algorithms use of induction and generating functions 2 algorithm design strategies top down design divide and conquer application to sorting and searching and to matrix algorithms

[design and analysis of algorithms reconsidered deepdyve](#) - May 31 2023

web mar 1 2000 the paper elucidates two views models of algorithmic problem solving the first one is static it is based on the identification of several principal dimensions of algorithmic problem solving the second one is dynamic i e it catalogs main steps in the process of solving a problem with a computer the models are used to identify several

design and analysis of algorithms reconsidered acm sigcse - Nov 24 2022

web f design and analysis of algorithms reconsidered anany levitin department of computing sciences villanova university villanova pa 19085 usa anany levitin villanova edu abstract 2 a static view of algorithmic problem solving the paper elucidates two views models of algorithmic one can easily identify a few major

pdf design and analysis of algorithms reconsidered semantic - Dec 26 2022

web the paper explained two views models of algorithmic problem solving based on and identification of several main dimensions and browse main steps in the process of solving a problem with ampere computer

introducing formal derivation into the design and analysis of algorithms - Apr 29 2023

web jul 28 2009 abstract the design and analysis of algorithms is one of the two essential cornerstone topics in computer science however some students think it hard to grasp and often learn by rote thus they usually can t improve their ability of algorithm design and algorithm analysis

design and analysis of algorithms reconsidered download only - Jul 01 2023

web analysis and design of algorithms provides a structured view of algorithm design techniques in a concise easy to read manner the book was written with an express purpose of being easy to understand read and carry it presents a pioneering approach in the teaching of algorithms based on learning algorithm design techniques and not

design and analysis of algorithms cambridge university press - Feb 25 2023

web the text covers important algorithm design techniques such as greedy algorithms dynamic programming and divide and conquer and gives applications to contemporary problems techniques including fast fourier transform kmp algorithm for string matching cyk algorithm for context free parsing and gradient descent for convex function

design and analysis of algorithms reconsidered researchgate - Sep 03 2023

web mar 1 2000 design and analysis of algorithms reconsidered authors anany levitin villanova university abstract the paper elucidates two views models of algorithmic problem solving the first one is

pdf design and analysis of algorithms researchgate - Mar 17 2022

web oct 24 2018 abstract this book design and analysis of algorithms covering various algorithm and analyzing the real word problems it delivers various types of algorithm and its problem solving

compsci 720 advanced design and analysis of algorithms - Mar 29 2023

web oct 31 2023 course overview algorithm design and analysis is a fundamental and important part of computer science this course introduces students to advanced techniques for the design and analysis of algorithms and explores some applications of the resulting algorithms the first part of this course studies advanced algorithms for families of

design and analysis of algorithms final github pages - Apr 17 2022

web a greedy algorithm employing the master theorem the solution to the recurrence $T(n) = 4T(n/2) + cn$ is $\Theta(n^2)$ $\Theta(n^2 \log n)$ $\Theta(cn)$ the master theorem can't be applied here we have one algorithm for processing customer records with run time of $O(n)$ and another with run time of $O(\lg n)$ 2500 in what circumstances might we want to

design and analysis of algorithms reconsidered acm sigcse - Oct 04 2023

web mar 1 2000 design and analysis of algorithms reconsidered the paper elucidates two views models of algorithmic problem solving the first one is static it is based on the identification of several principal dimensions of algorithmic problem solving

design and analysis of algorithms section 02 syllabus - Feb 13 2022

web to develop an in depth understanding of algorithm design techniques and the analysis of algorithms and to present a substantial to computational complexity and np completeness course learning outcomes clos college of science computer science design and analysis of algorithms section 02 cs 255 fall 2023 3 unit s 08 21 2023

open road park facts for kids kids encyclopedia - May 31 2022

web open road park is a small park in east village manhattan new york city located east of first avenue between 11th and 12th streets it is among the larger green spaces created

open road s new york city with kids alibris - Jan 07 2023

web jun 10 2008 open road s new york city with kids by laurie bain wilson june 10 2008 open road edition paperback in english

open road s new york city with kids laurie bain wilson - Jul 01 2022

web sep 6 2021 open road s new york city with kids laurie bain wilson demonstrate the effective and responsible use of data to address the biggest challenges facing your

new york city with kids lonely planet - Jul 13 2023

how to get there depart your hotel and grab some breakfast before heading south to the southern tip of manhattan at battery park use mta see more

21 locations added to new york city s open streets program for - Jan 27 2022

web apr 22 2022 the street is one of 21 locations added to open streets for 2022 the idea started in 2020 as a result of the covid pandemic people needed fresh air and more

open road s new york city with kids laurie bain wilson - Feb 25 2022

web open road s new york city with kids laurie bain wilson choices in relationships an introduction to marriage and the family jr

open road s new york city with kids - Feb 08 2023

web dec 20 2022 we packed a lot into our 3 day stop in new york city on our east coast road trip but it was so much fun check out all the things to do in new york with kids

open road s new york city with kids book online z library - Dec 06 2022

web buy open road s new york city with kids by laurie bain wilson online at alibris we have new and used copies available in 1 editions starting at 1 45 shop now

20 incredible things to do in new york with kids global - Jun 12 2023

after disembarking the statue cruises ferry explore the castle clinton national monument for more immigration history located steps from the ferry dock for war buffs in the family it s also a fort from the war of 1812 with see more

openroadsnewyorkcitywithkids jour tapston - Dec 26 2021

web open road s new york city with kids foreign direct investment in the united states cumulative list of organizations described in section 170 c of the internal revenue

can open streets be new york s future the new york times - Mar 29 2022

web aug 9 2021 in new york opening streets to people is not new in the early 1900s city officials created play streets for children by closing off a block or two to traffic mr

open road s new york city with kids paperback - Nov 05 2022

web discover open road s new york city with kids book an intriguing read explore open road s new york city with kids in z library and find free summary reviews read

openroadsnewyorkcitywithkids 2022 intranet2 flintcooper - Apr 29 2022

web history of new york city the centennial history of new york city from the discovery to the present day the story of the city of new york open roads to communication the

an armored train and a dangerous new alliance the new - Aug 22 2021

web sep 14 2023 the meeting between president vladimir v putin of russia and north korea s leader kim jong un could have malign consequences for the world sept 14

visiting new york city with kids itinerary included - Apr 10 2023

federal hallserved as the first capitol of the united states the supreme court and the executive branch offices george washington took the oath of office as the first president of the united states at federal hall as well see more

3 days in nyc with kids ultimate itinerary by a local - Mar 09 2023

web jun 14 2023 how to get around new york city with kids there s no better way to get around new york city with kids than riding the subway it s also economical as

street blocks across new york city close for traffic open for kids - Oct 04 2022

web jul 13 2023 street blocks across new york city close for traffic open for kids this summer by jessi mitchell updated on july 13 2023 5 54 pm cbs new york new

open roads wikipedia - Oct 24 2021

web open roads is an upcoming interactive movie mystery thriller video game published by annapurna interactive the game is scheduled to be released for microsoft windows

new york city with kids open road travel guides laurie - Aug 02 2022

web new york city with kids open road travel guides laurie bain wilson memoir of henry augustus ingalls george w burnap nuestra herencia our story a look into

open road park wikipedia - Nov 24 2021

web open road park coordinates 40 72941 n 73 98304 w the playground in december 2020 open road park is a small park in east village manhattan new york city

open roads video game imdb - Sep 22 2021

web open roads directed by steve gaynor with kaitlyn dever keri russell a young girl attempts to make sense of her grandmother s life aided by both the things she left

24 best things to do in new york city with kids 2023 - May 11 2023

from 1892 until 1954 ellis island welcomed 12 million immigrants to the united states the ellis island immigration museum walks visitors through the facility that processed close see more

4 day nyc itinerary exploring new york city with kids - Aug 14 2023

start at the southern tip of manhattan and see the oldest part of new york city first catch a ferry to the statue of libery and see some of best views a must for families along with most visitor to nyc tip all the destinations are walkable so put on the walking shoes and grab a bottle of water to explore an umbrella see more

new york city with kids open road travel guides laurie - Sep 03 2022

web new york city with kids open road travel guides laurie bain wilson why use openly licensed educational resources resources that are openly licensed benefit schools in