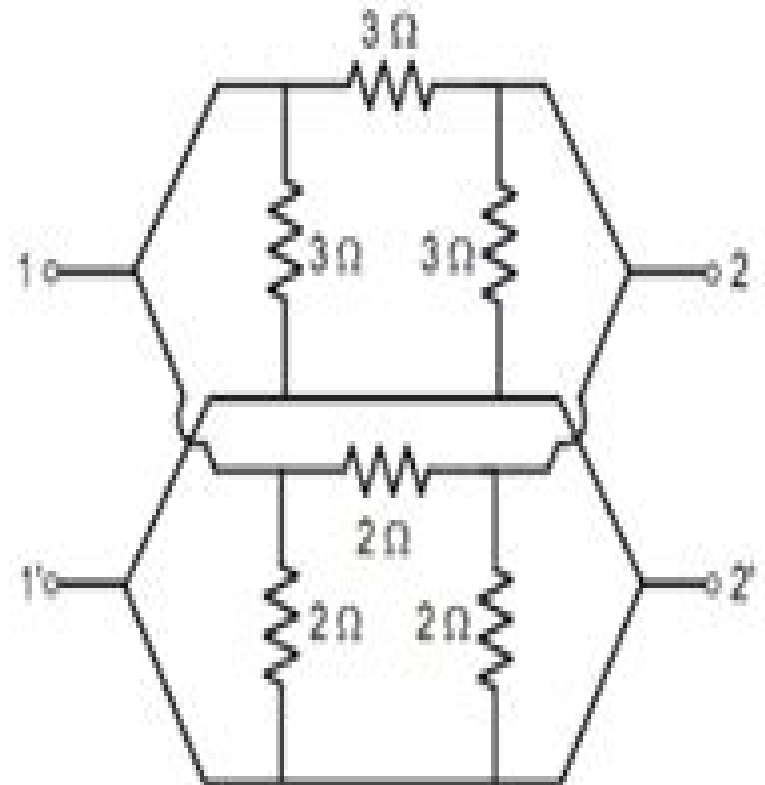


Y Parameters of Two Port Network



Electrical 4 U

Two Port Network Y Parameters Solved Problems

R Sandford



Two Port Network Y Parameters Solved Problems:

Introduction to Electric Circuits Richard C. Dorf, James A. Svoboda, 2010-01-07 The central theme of Introduction to Electric Circuits is the concept that electric circuits are a part of the basic fabric of modern technology Given this theme this book endeavors to show how the analysis and design of electric circuits are inseparably intertwined with the ability of the engineer to design complex electronic communication computer and control systems as well as consumer products This book is designed for a one to three term course in electric circuits or linear circuit analysis and is structured for maximum flexibility

Schaum's 3000 Solved Problems in Electric Circuits S. A. Nasar, 1988 *Electric Circuits And Networks (For Gtu)* Kumar K. S. Suresh, 2010-09

Electric Circuits and Networks K. S. Suresh Kumar, K. S. Suresh Kumar, 2008-08-05 Electric Circuits and Networks is designed to serve as a textbook for a two semester undergraduate course on basic electric circuits and networks The book builds on the subject from its basic principles Spread over seventeen chapters the book can be taught with varying degree of emphasis on its six subsections based on the course requirement Written in a student friendly manner its narrative style places adequate stress on the principles that govern the behaviour of electric circuits and networks

Circuit Theory and Networks Surajit Bagchi, 2010 Simple and Lucid Presentation Step wise problem solving approach Large number of solved problems with illustrations A variety of multiple choice questions with hints

MicroSim PSpice and Circuit Analysis John Keown, 1998 This simple easy to follow guide is designed to be accessible to anyone with a familiarity of basic electrical knowledge

Electrical Fundamentals and Circuit Analysis Harry Alex Romanowitz, 1966

PSpice and Circuit Analysis John L. Keown, 1993 Intended for beginning technology students this text reinforces basic circuit principles through the use of the computer program PSpice and may be used in conjunction with a conventional textbook treatment of circuit analysis

Introduction to Modern Circuit Analysis Donald Albert Calahan, Alan B. Macnee, Edward Lawrence McMahan, 1974

AC Circuit Analysis Phillip Cutler, 1974 Solutions manual N Y McGraw Hill 1974

Practical Guide to Electronic Amplifiers John D. Lenk, 1991

Schaum's Outline of Theory and Problems of Electronics Technology Milton Kaufman, J. A. Wilson, 1982

American Journal of Physics, 1985 Archival journal targeted toward advanced level physics and physics education with its focus on the teaching and cultural aspects of physics

Basic Engineering Circuit Analysis J. David Irwin, 1987

Basic Electric Circuit Analysis David E. Johnson, John L. Hilburn, Johnny Ray Johnson, 1978 Key equations are followed by a brief explanation to increase student comprehension of important mathematical concepts Modern op amp is presented as a versatile linear circuit element Highly motivational use of op amps with SPICE for exploratory active circuit design SPICE tutorial material placed in clearly marked sections that can be skipped or de emphasized No reliance on SPICE or other computer methods in the remaining sections Balanced emphasis given to the complementary time phasor and domain approaches which are the core of modern linear circuit analysis

Analysis of Faulted Power Systems Paul M. Anderson, 1973 This classic text offers you the key to

understanding short circuits open conductors and other problems relating to electric power systems that are subject to unbalanced conditions Using the method of symmetrical components acknowledged expert Paul M Anderson provides comprehensive guidance for both finding solutions for faulted power systems and maintaining protective system applications You ll learn to solve advanced problems while gaining a thorough background in elementary configurations Features you ll put to immediate use Numerous examples and problems Clear concise notation Analytical simplifications Matrix methods applicable to digital computer technology Extensive appendices

Papers Presented at the International Symposium on Wave and Tidal Energy Herbert Simon Stephens,1978 **Journal of Electronic Engineering** ,1990 Schaum's Outline of Theory and Problems of Electronic Devices and Circuits Jimmie J. Cathey,1989 This updated version of its internationally popular predecessor provides and introductory problem solved text for understanding fundamental concepts of electronic devices their design and their circuitry Providing an interface with Pspice the most widely used program in electronics new key features include a new chapter presenting the basics of switched mode power supplies thirty one new examples and twenty three PS solved problems

Papers Presented at the International Symposium on Wave and Tidal Energy, Held at the University of Kent, Canterbury, England, September 27-29, 1978 Herbert Simon Stephens,C. A. Stapleton,1978

Ignite the flame of optimism with is motivational masterpiece, **Two Port Network Y Parameters Solved Problems** . In a downloadable PDF format (PDF Size: *), this ebook is a beacon of encouragement. Download now and let the words propel you towards a brighter, more motivated tomorrow.

https://py.bijouxmedusa.com/book/uploaded-files/fetch.php/improvement_review_america_59_836_self_improvement_review_usa_59_2344.pdf

Table of Contents Two Port Network Y Parameters Solved Problems

1. Understanding the eBook Two Port Network Y Parameters Solved Problems
 - The Rise of Digital Reading Two Port Network Y Parameters Solved Problems
 - Advantages of eBooks Over Traditional Books
2. Identifying Two Port Network Y Parameters Solved Problems
 - Exploring Different Genres
 - Considering Fiction vs. Non-Fiction
 - Determining Your Reading Goals
3. Choosing the Right eBook Platform
 - Popular eBook Platforms
 - Features to Look for in an Two Port Network Y Parameters Solved Problems
 - User-Friendly Interface
4. Exploring eBook Recommendations from Two Port Network Y Parameters Solved Problems
 - Personalized Recommendations
 - Two Port Network Y Parameters Solved Problems User Reviews and Ratings
 - Two Port Network Y Parameters Solved Problems and Bestseller Lists
5. Accessing Two Port Network Y Parameters Solved Problems Free and Paid eBooks
 - Two Port Network Y Parameters Solved Problems Public Domain eBooks
 - Two Port Network Y Parameters Solved Problems eBook Subscription Services
 - Two Port Network Y Parameters Solved Problems Budget-Friendly Options

6. Navigating Two Port Network Y Parameters Solved Problems eBook Formats
 - ePub, PDF, MOBI, and More
 - Two Port Network Y Parameters Solved Problems Compatibility with Devices
 - Two Port Network Y Parameters Solved Problems Enhanced eBook Features
7. Enhancing Your Reading Experience
 - Adjustable Fonts and Text Sizes of Two Port Network Y Parameters Solved Problems
 - Highlighting and Note-Taking Two Port Network Y Parameters Solved Problems
 - Interactive Elements Two Port Network Y Parameters Solved Problems
8. Staying Engaged with Two Port Network Y Parameters Solved Problems
 - Joining Online Reading Communities
 - Participating in Virtual Book Clubs
 - Following Authors and Publishers Two Port Network Y Parameters Solved Problems
9. Balancing eBooks and Physical Books Two Port Network Y Parameters Solved Problems
 - Benefits of a Digital Library
 - Creating a Diverse Reading Collection Two Port Network Y Parameters Solved Problems
10. Overcoming Reading Challenges
 - Dealing with Digital Eye Strain
 - Minimizing Distractions
 - Managing Screen Time
11. Cultivating a Reading Routine Two Port Network Y Parameters Solved Problems
 - Setting Reading Goals Two Port Network Y Parameters Solved Problems
 - Carving Out Dedicated Reading Time
12. Sourcing Reliable Information of Two Port Network Y Parameters Solved Problems
 - Fact-Checking eBook Content of Two Port Network Y Parameters Solved Problems
 - Distinguishing Credible Sources
13. Promoting Lifelong Learning
 - Utilizing eBooks for Skill Development
 - Exploring Educational eBooks
14. Embracing eBook Trends
 - Integration of Multimedia Elements

- Interactive and Gamified eBooks

Two Port Network Y Parameters Solved Problems Introduction

In today's digital age, the availability of Two Port Network Y Parameters Solved Problems books and manuals for download has revolutionized the way we access information. Gone are the days of physically flipping through pages and carrying heavy textbooks or manuals. With just a few clicks, we can now access a wealth of knowledge from the comfort of our own homes or on the go. This article will explore the advantages of Two Port Network Y Parameters Solved Problems books and manuals for download, along with some popular platforms that offer these resources. One of the significant advantages of Two Port Network Y Parameters Solved Problems books and manuals for download is the cost-saving aspect. Traditional books and manuals can be costly, especially if you need to purchase several of them for educational or professional purposes. By accessing Two Port Network Y Parameters Solved Problems versions, you eliminate the need to spend money on physical copies. This not only saves you money but also reduces the environmental impact associated with book production and transportation. Furthermore, Two Port Network Y Parameters Solved Problems books and manuals for download are incredibly convenient. With just a computer or smartphone and an internet connection, you can access a vast library of resources on any subject imaginable. Whether you're a student looking for textbooks, a professional seeking industry-specific manuals, or someone interested in self-improvement, these digital resources provide an efficient and accessible means of acquiring knowledge. Moreover, PDF books and manuals offer a range of benefits compared to other digital formats. PDF files are designed to retain their formatting regardless of the device used to open them. This ensures that the content appears exactly as intended by the author, with no loss of formatting or missing graphics. Additionally, PDF files can be easily annotated, bookmarked, and searched for specific terms, making them highly practical for studying or referencing. When it comes to accessing Two Port Network Y Parameters Solved Problems books and manuals, several platforms offer an extensive collection of resources. One such platform is Project Gutenberg, a nonprofit organization that provides over 60,000 free eBooks. These books are primarily in the public domain, meaning they can be freely distributed and downloaded. Project Gutenberg offers a wide range of classic literature, making it an excellent resource for literature enthusiasts. Another popular platform for Two Port Network Y Parameters Solved Problems books and manuals is Open Library. Open Library is an initiative of the Internet Archive, a non-profit organization dedicated to digitizing cultural artifacts and making them accessible to the public. Open Library hosts millions of books, including both public domain works and contemporary titles. It also allows users to borrow digital copies of certain books for a limited period, similar to a library lending system. Additionally, many universities and educational institutions have their own digital libraries that provide free access to PDF books and manuals. These libraries often offer academic texts, research papers, and technical manuals, making them

invaluable resources for students and researchers. Some notable examples include MIT OpenCourseWare, which offers free access to course materials from the Massachusetts Institute of Technology, and the Digital Public Library of America, which provides a vast collection of digitized books and historical documents. In conclusion, Two Port Network Y Parameters Solved Problems books and manuals for download have transformed the way we access information. They provide a cost-effective and convenient means of acquiring knowledge, offering the ability to access a vast library of resources at our fingertips. With platforms like Project Gutenberg, Open Library, and various digital libraries offered by educational institutions, we have access to an ever-expanding collection of books and manuals. Whether for educational, professional, or personal purposes, these digital resources serve as valuable tools for continuous learning and self-improvement. So why not take advantage of the vast world of Two Port Network Y Parameters Solved Problems books and manuals for download and embark on your journey of knowledge?

FAQs About Two Port Network Y Parameters Solved Problems Books

How do I know which eBook platform is the best for me? Finding the best eBook platform depends on your reading preferences and device compatibility. Research different platforms, read user reviews, and explore their features before making a choice. Are free eBooks of good quality? Yes, many reputable platforms offer high-quality free eBooks, including classics and public domain works. However, make sure to verify the source to ensure the eBook credibility. Can I read eBooks without an eReader? Absolutely! Most eBook platforms offer web-based readers or mobile apps that allow you to read eBooks on your computer, tablet, or smartphone. How do I avoid digital eye strain while reading eBooks? To prevent digital eye strain, take regular breaks, adjust the font size and background color, and ensure proper lighting while reading eBooks. What the advantage of interactive eBooks? Interactive eBooks incorporate multimedia elements, quizzes, and activities, enhancing the reader engagement and providing a more immersive learning experience. Two Port Network Y Parameters Solved Problems is one of the best book in our library for free trial. We provide copy of Two Port Network Y Parameters Solved Problems in digital format, so the resources that you find are reliable. There are also many Ebooks of related with Two Port Network Y Parameters Solved Problems. Where to download Two Port Network Y Parameters Solved Problems online for free? Are you looking for Two Port Network Y Parameters Solved Problems PDF? This is definitely going to save you time and cash in something you should think about.

Find Two Port Network Y Parameters Solved Problems :

~~improvement review America 59-836 self improvement review USA 59-2344~~
beginners trends America 59-2759 coding for beginners trends for small
59-2172 YouTube growth blueprint for startups 59-2375 YouTube growth
planning strategies for small business 59-2917 retirement planning tips
best practices for small business 59-2947 cybersecurity best practices
retirement planning tools USA 59-2409 retirement planning tools United
~~wearable technology comparison United States 59-423 wearable technology~~
home tech explained for startups 59-2467 smart home tech for beginners
~~travel ideas America 59-1440 luxury travel ideas USA 59-1466 luxury~~
~~small business 59-1490 cloud computing for beginners USA 59-2853 cloud~~
59-2194 passive income ideas comparison for entrepreneurs 59-155 passive
tools America 59-11 electric vehicles tutorial for small business
business 59-896 real estate investing trends USA 59-732 real estate
creators 59-653 digital marketing software USA 59-290 digital marketing
~~travel tips examples for entrepreneurs 59-2869 travel tips explained~~

Two Port Network Y Parameters Solved Problems :

Suzuki Intruder VS800 Manuals Manuals and User Guides for Suzuki Intruder VS800. We have 1 Suzuki Intruder VS800 manual available for free PDF download: Service Manual ... Suzuki Intruder VL800 Manuals We have 4 Suzuki Intruder VL800 manuals available for free PDF download: Service Manual, Supplementary Service Manual, Manual, Owner's Manual. Suzuki Intruder ... Suzuki Intruder 800: manuals - Enduro Team Owners/Service manual for Suzuki Intruder 800 (VS, VL, VZ, C50, M50, C800, M800) Free Suzuki Motorcycle Service Manuals for download Suzuki motorcycle workshop service manuals to download for free! Suzuki Intruder VL800 Service Manual - manualzz.com View online (639 pages) or download PDF (50 MB) Suzuki Intruder VL800 Service manual • Intruder VL800 motorcycles PDF manual download and more Suzuki online ... Suzuki VS800 Intruder (U.S.) 1992 Clymer Repair Manuals for the 1992-2004 Suzuki VS800 Intruder (U.S.) are your trusted resource for maintenance and repairs. Clear repair solutions for ... 1995 1996 Suzuki VS800GL Intruder Motorcycle Service ... 1995 1996 Suzuki VS800GL Intruder Motorcycle Service Repair Manual Supplement ; Quantity. 1 available ; Item Number. 374156931186 ; Accurate description. 4.8. Suzuki VL800 2002-2009 Service Manual Free Download | This Free

Downloadable Service Manual Includes Everything You would need to Service & Repair your Suzuki VL800 Motorbike. You can download the Individual Pages ... SUZUKI VS800 INTRUDER 800 1992 1993 1994 1995 ... SUZUKI VS800 INTRUDER 800 1992 1993 1994 1995 1996 SERVICE REPAIR SHOP MANUAL ; Quantity. 3 sold. 3 available ; Item Number. 364529641821 ; Year of Publication. DOWNLOAD 1985-2009 Suzuki Service Manual INTRUDER ... Instant Download Service Manual for 1985-2009 Suzuki models, Intruder Volusia Boulevard VS700 VS750 VS800 VS1400 VL1500 Motorcycles, 700 750 800 1400 1500 ... Bobbin Winding Preparations - Pfaff Creative 1471 ... Pfaff Creative 1471 Manual Online: Bobbin Winding Preparations. I have a pfaff creative 1471. The machine won't disengage so Aug 21, 2021 — Hi, I have a pfaff creative 1471. The machine won't disengage so that I can wind the bobbin? Contractor's Assistant: Do you know the model ... Pfaff 1471 Troubleshooting For Winding Bobbins Pdf Page 1. Pfaff 1471 Troubleshooting For Winding Bobbins Pdf. INTRODUCTION Pfaff 1471 Troubleshooting For Winding Bobbins Pdf FREE. Pfaff 1471 loose bobbin thread : r/sewing Try holding onto the original spool of thread to hold back some thread while it's winding onto the bobbin. Also don't wind too fast or too ... Bobbin Winder - Pfaff 1471 E1 Instruction Manual [Page 106] With the bobbin winder on, the bobbin winder spindle must engage reliably. With the bobbin winder off, the friction wheel 5 must not engage the drive wheel ... SOLVED: My Pfaff 1471 keeps spinning when I'm winding Jul 7, 2019 — To disengage the needle while winding a bobbin do the following: the handwheel on the right end of the machine has an inner knob. hold the outer ... Holt Environmental Science - 1st Edition - Solutions and ... Our resource for Holt Environmental Science includes answers to chapter exercises, as well as detailed information to walk you through the process step by step. Holt Environmental Science Skills Worksheet Answer Key Fill Holt Environmental Science Skills Worksheet Answer Key, Edit online. Sign, fax and printable from PC, iPad, tablet or mobile with pdfFiller ... Environmental Science Active Reading Workbook HOLT ... Active reading workbook ; Read the passage below and answer the questions that follow. The decisions and actions of all people in the world affect our. Environmental Science: Chapter Tests with Answer Key Quantity: 1 ; Environmental Science · Chapter Tests with Answer Key ; Published by Holt, Rinehart & Winston, 2000 ; Filter by: Softcover (2) ; Condition · Good ... Environmental Science Each worksheet corresponds to a specific section of your textbook. When you ... Holt Environmental Science. 9. Tools of Environmental Science. Section: Making ... Name List and describe three human activities that affect the environment. Copyright by Holt, Rinehart and Winston. All rights reserved. Holt Environmental Science. Holt Science Florida Environmental Guide with Answer Key Book details ; Print length. 0 pages ; Language. English ; Publisher. HOLT RINEHART AND WINSTON ; Publication date. January 1, 2005 ; ISBN-10. 0030385369. Environmental Science: Chapter Tests with Answer Key Environmental Science: Chapter Tests with Answer Key [Holt, Rinehart, and Winston, Inc ... #4,558,978 in Books (See Top 100 in Books). Important information. To ... Get Holt Environmental Science Map Skills Answer Key Complete Holt Environmental Science Map Skills Answer Key online with US Legal Forms. Easily fill out PDF blank, edit, and sign them.