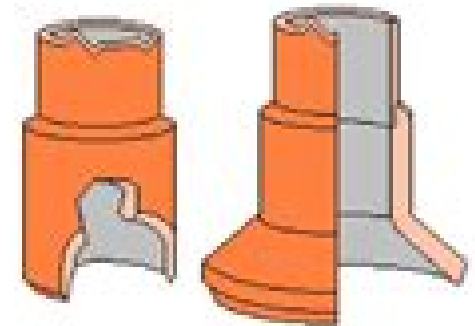


Well COMPLETION

5. OTHERS

5.1 Wireline Entry Guide (WLEG)

- Bottom most tubing accessories.
- Provide easy access for WL tools into tubing.

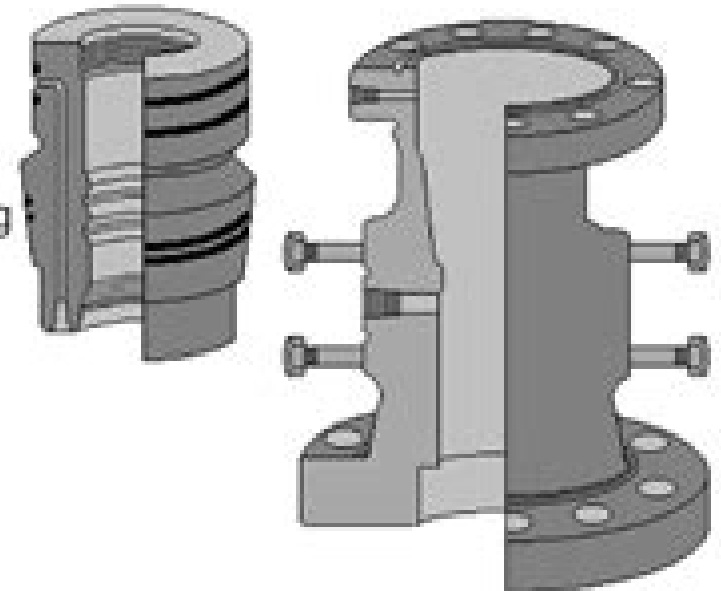


5.2 Perforated Joint

- Eliminate flow restrictions.
- Provide true downhole flow readings.

5.3 Control Line

- Transport hydraulic fluid to SCSSV
- Continuous length & securely clamped on tubing wall.



5.4 Tubing Hanger

- Set in THS , suspend tubing weight & provide sealing.
- BPV Receptacle

Wireline Operations Manual

Rahman Ashena



Wireline Operations Manual:

Standard Handbook of Petroleum and Natural Gas Engineering William C. Lyons, Gary J Plisga BS, 2011-03-15 This new edition of the Standard Handbook of Petroleum and Natural Gas Engineering provides you with the best state of the art coverage for every aspect of petroleum and natural gas engineering With thousands of illustrations and 1 600 information packed pages this text is a handy and valuable reference Written by over a dozen leading industry experts and academics the Standard Handbook of Petroleum and Natural Gas Engineering provides the best most comprehensive source of petroleum engineering information available Now in an easy to use single volume format this classic is one of the true must haves in any petroleum or natural gas engineer s library A classic for the oil and gas industry for over 65 years A comprehensive source for the newest developments advances and procedures in the petrochemical industry covering everything from drilling and production to the economics of the oil patch Everything you need all the facts data equipment performance and principles of petroleum engineering information not found anywhere else A desktop reference for all kinds of calculations tables and equations that engineers need on the rig or in the office A time and money saver on procedural and equipment alternatives application techniques and new approaches to problems

Wireline Operations and Procedures American Petroleum Institute. Division of Production, 1964

Wireline Operations Jack B. Hall, 1988

Wireline Operations and Procedures American Petroleum Institute. Production Department, 1994

Oilfield Survival Guide, Volume One: For All Oilfield Situations Matthew J. Hatami, 2017-01-02 Save Money Time and Lives with the Real World Oil Gas Experience of Others Learning the Hard Way in the Oilfield can Cost You Millions sometimes Billions of Dollars in addition to Injury and Loss of Life Cut Through the Noise to Focus on the Most Critical Aspects of Working in the Oil and Gas Business Based on over 1 000 Oil and Gas Situations involving Drilling Cementing Fracking Wireline Coil Tubing Snubbing Running Tools Welding Production Workover Logging Trucking Geology Land Engineering Resource Development Executive Management and much much more Expand Your Value Creation Opportunities by Learning from the Real World Experience of Others Whether you work in the office or in the field work as a Company Man Engineer Driller Tool Pusher Roughneck Geologist Landman Truck Driver Frac Hand Treater Cementer Lawyer Flowback Hand Welder Geophysicist Snubber Pumper Equipment Operator Derrick Man Mechanic Petrophysicist Roustabout Manager Director VP or Executive consider adding Oilfield Survival Guide to your toolbox of knowledge In other words if you work hard for your money in the oil business this book is for you The oil gas industry is one of the most capital intensive businesses today As a result mistakes situations can be expensive in addition to injury and loss of life To prevent undesirable situations Oilfield Survival Guide was created based on over 1 000 oil gas situations The ultimate guide for all oil and gas situations Tactics Procedures Fatalities Short Stories Train Wrecks Disaster Avoidance Court Cases Life Savings Skills Checklists Troubleshooting Problem Job Prevention Oilfield Survival Guide is the ultimate oil industry resource to help manage oilfield risk and avoid mistakes by increasing your oil and gas knowledge and

intelligence utilizing a variety of methods including Tactics Short and to the point guidelines to reduce risk and instill work principles to be successful in the oil industry from the field to the office Short Stories Experience from the mistakes of others Fatalities Detailed analysis of oil and gas tragedies Court Cases Jury trials expert witness testimony and legal opinions on a variety of oil and gas cases Procedures Step by step process to create oilfield procedures and checklists along with multiple examples Operations Analysis Oil and gas operations post mortem highlighting key learnings practical knowledge useful tips and best practices Over 1 000 oil and gas situations analyzed to create Oilfield Survival Guide *The Practical Handbook of Well Control* Rahman Ashena,2025-02-21 The Practical Handbook of Well Control teaches readers to safeguard well safety and integrity in drilling well engineering Offering an applied and scientific point of view it covers fundamental aspects of well control and includes practical procedures and well control methods for land and offshore operations It features a wealth of questions to commonly encountered problems and comprehensive answers at the end of each topical discussion to test reader comprehension Written in a concise accessible way by experienced oilfield and academic experts Covers all related technical subjects of well control Describes modern aspects of well control including automatic well control advances in outflow measurement artificial intelligence and IoT techniques for early kick detection mud gas separators and riser gas modeling Includes case studies to familiarize readers with real world problems and solutions Offers a full explanation of each problem to familiarize readers with commonly faced issues Features sample exercises with comprehensive answers useful for IWCF and IADC exams This handbook serves as a valuable reference and workbook for field drilling and workover engineers in the energy sector [Policy-Driven Mobile Ad hoc Network Management](#) Ritu Chadha,Latha Kant,2007-10-23 This book should be immensely interesting to those trying to decide what MANET research is worth undertaking and why J Christopher Ramming Program Manager Defense Advanced Research Projects Agency DARPA Strategic Technology Office A thorough comprehensive treatment of mobile ad hoc network management Mobile ad hoc networking is a hot topic gaining importance in both commercial and military arenas Now that the basics in the field have settled and standards are emerging the time is right for a book on management of these networks From two experts in the field Policy Driven Mobile Ad hoc Network Management provides comprehensive coverage of the management challenges associated with mobile ad hoc networks MANETs and includes an in depth discussion of how policy based network management can be used for increasing automation in the management of mobile ad hoc networks This book provides readers with a complete understanding of mobile ad hoc network management and many related topics including Network management requirements for MANETs with an emphasis on the differences between the management requirements for MANETs as compared to static wireline networks The use of policies for managing MANETs to increase automation and to tie together management components via policies Policy conflict detection and resolution Aspects of MANETs that need to be configured and reconfigured at all layers of the protocol stack Methodologies for providing survivability in the face of both hard and soft failures in MANETs The components

of a Quality of Service QoS management solution for MANETs based on the widely used Differentiated Services DiffServ paradigm Important open research issues in the area of MANET management Policy Driven Mobile Ad hoc Network Management is an ideal resource for professionals researchers and advanced graduate students in the field of IP network management who are interested in mobile ad hoc networks

Well Control for Completions and Interventions Howard Crumpton,2018-04-04 Well Control for Completions and Interventions explores the standards that ensure safe and efficient production flow well integrity and well control for oil rigs focusing on the post Macondo environment where tighter regulations and new standards are in place worldwide Too many training facilities currently focus only on the drilling side of the well s cycle when teaching well control hence the need for this informative guide on the topic This long awaited manual for engineers and managers involved in the well completion and intervention side of a well s life covers the fundamentals of design equipment and completion fluids In addition the book covers more important and distinguishing components such as well barriers and integrity envelopes well kill methods specific to well completion and other forms of operations that involve completion like pumping and stimulation including hydraulic fracturing and shale coiled tubing wireline and subsea intervention Provides a training guide focused on well completion and intervention Includes coverage of subsea and fracturing operations Presents proper well kill procedures Allows readers to quickly get up to speed on today s regulations post Macondo for well integrity barrier management and other critical operation components

Proceedings of the International Field Exploration and Development Conference 2023 Jia'en Lin,2024-03-11 This book focuses on reservoir surveillance and management reservoir evaluation and dynamic description reservoir production stimulation and EOR ultra tight reservoir unconventional oil and gas resources technology oil and gas well production testing and geomechanics This book is a compilation of selected papers from the 13th International Field Exploration and Development Conference IFEDC 2023 The conference not only provides a platform to exchanges experience but also promotes the development of scientific research in oil gas exploration and production The main audience for the work includes reservoir engineer geological engineer enterprise managers senior engineers as well as students

Proceedings - Offshore Technology Conference ,1998 **Federal Register** ,1999-07-08 **A Guide to Coalbed Methane Operations** Vicki A. Hollub,Paul S. Schafer,1992 The Oil and Gas Journal ,1930 **Petroleum Engineering Handbook** Howard B. Bradley,Fred W. Gipson,1987 **Proceedings ... SPE Annual Technical Conference and Exhibition** Society of Petroleum Engineers (U.S.). Technical Conference and Exhibition,1992 **The Standard and Poor's 500 Guide** Standard & Poor's,2005-12 Text and statistical data on 500 individual companies Drilling International ,1967 Petroleum Engineer International ,1982 **Petroleum Engineering Handbook** Larry W. Lake,2006 The Petroleum Engineering Handbook has long been recognized as a valuable comprehensive reference book that offers practical day to day applications for students and experienced engineering professionals alike The Petroleum Engineering Handbook is now a series of 7

volumes Volume IV Production Operations Engineering will bring readers up to date in the areas of design equipment selection and operation procedures for most oil and gas wells Chapters cover three main topic areas well completions problems caused by formation damage and artificial lift a major concern for production engineers **Training Manual** United States. Army. Signal Corps,1925

Thank you certainly much for downloading **Wireline Operations Manual**. Maybe you have knowledge that, people have look numerous times for their favorite books gone this Wireline Operations Manual, but stop going on in harmful downloads.

Rather than enjoying a fine PDF later than a mug of coffee in the afternoon, on the other hand they juggled past some harmful virus inside their computer. **Wireline Operations Manual** is available in our digital library an online access to it is set as public hence you can download it instantly. Our digital library saves in fused countries, allowing you to get the most less latency epoch to download any of our books afterward this one. Merely said, the Wireline Operations Manual is universally compatible afterward any devices to read.

<https://py.bijouxmedusa.com/results/publication/HomePages/marketing%20guide%20america%2034%201032%20content%20marketing%20guide%20for%20creators.pdf>

Table of Contents Wireline Operations Manual

1. Understanding the eBook Wireline Operations Manual
 - The Rise of Digital Reading Wireline Operations Manual
 - Advantages of eBooks Over Traditional Books
2. Identifying Wireline Operations Manual
 - Exploring Different Genres
 - Considering Fiction vs. Non-Fiction
 - Determining Your Reading Goals
3. Choosing the Right eBook Platform
 - Popular eBook Platforms
 - Features to Look for in an Wireline Operations Manual
 - User-Friendly Interface
4. Exploring eBook Recommendations from Wireline Operations Manual
 - Personalized Recommendations
 - Wireline Operations Manual User Reviews and Ratings

- Wireline Operations Manual and Bestseller Lists
- 5. Accessing Wireline Operations Manual Free and Paid eBooks
 - Wireline Operations Manual Public Domain eBooks
 - Wireline Operations Manual eBook Subscription Services
 - Wireline Operations Manual Budget-Friendly Options
- 6. Navigating Wireline Operations Manual eBook Formats
 - ePub, PDF, MOBI, and More
 - Wireline Operations Manual Compatibility with Devices
 - Wireline Operations Manual Enhanced eBook Features
- 7. Enhancing Your Reading Experience
 - Adjustable Fonts and Text Sizes of Wireline Operations Manual
 - Highlighting and Note-Taking Wireline Operations Manual
 - Interactive Elements Wireline Operations Manual
- 8. Staying Engaged with Wireline Operations Manual
 - Joining Online Reading Communities
 - Participating in Virtual Book Clubs
 - Following Authors and Publishers Wireline Operations Manual
- 9. Balancing eBooks and Physical Books Wireline Operations Manual
 - Benefits of a Digital Library
 - Creating a Diverse Reading Collection Wireline Operations Manual
- 10. Overcoming Reading Challenges
 - Dealing with Digital Eye Strain
 - Minimizing Distractions
 - Managing Screen Time
- 11. Cultivating a Reading Routine Wireline Operations Manual
 - Setting Reading Goals Wireline Operations Manual
 - Carving Out Dedicated Reading Time
- 12. Sourcing Reliable Information of Wireline Operations Manual
 - Fact-Checking eBook Content of Wireline Operations Manual
 - Distinguishing Credible Sources

13. Promoting Lifelong Learning
 - Utilizing eBooks for Skill Development
 - Exploring Educational eBooks
14. Embracing eBook Trends
 - Integration of Multimedia Elements
 - Interactive and Gamified eBooks

Wireline Operations Manual Introduction

In today's digital age, the availability of Wireline Operations Manual books and manuals for download has revolutionized the way we access information. Gone are the days of physically flipping through pages and carrying heavy textbooks or manuals. With just a few clicks, we can now access a wealth of knowledge from the comfort of our own homes or on the go. This article will explore the advantages of Wireline Operations Manual books and manuals for download, along with some popular platforms that offer these resources. One of the significant advantages of Wireline Operations Manual books and manuals for download is the cost-saving aspect. Traditional books and manuals can be costly, especially if you need to purchase several of them for educational or professional purposes. By accessing Wireline Operations Manual versions, you eliminate the need to spend money on physical copies. This not only saves you money but also reduces the environmental impact associated with book production and transportation. Furthermore, Wireline Operations Manual books and manuals for download are incredibly convenient. With just a computer or smartphone and an internet connection, you can access a vast library of resources on any subject imaginable. Whether you're a student looking for textbooks, a professional seeking industry-specific manuals, or someone interested in self-improvement, these digital resources provide an efficient and accessible means of acquiring knowledge. Moreover, PDF books and manuals offer a range of benefits compared to other digital formats. PDF files are designed to retain their formatting regardless of the device used to open them. This ensures that the content appears exactly as intended by the author, with no loss of formatting or missing graphics. Additionally, PDF files can be easily annotated, bookmarked, and searched for specific terms, making them highly practical for studying or referencing. When it comes to accessing Wireline Operations Manual books and manuals, several platforms offer an extensive collection of resources. One such platform is Project Gutenberg, a nonprofit organization that provides over 60,000 free eBooks. These books are primarily in the public domain, meaning they can be freely distributed and downloaded. Project Gutenberg offers a wide range of classic literature, making it an excellent resource for literature enthusiasts. Another popular platform for Wireline Operations Manual books and manuals is Open Library. Open Library is an initiative of the Internet Archive, a nonprofit organization dedicated to digitizing cultural artifacts and making them accessible to the public. Open Library hosts

millions of books, including both public domain works and contemporary titles. It also allows users to borrow digital copies of certain books for a limited period, similar to a library lending system. Additionally, many universities and educational institutions have their own digital libraries that provide free access to PDF books and manuals. These libraries often offer academic texts, research papers, and technical manuals, making them invaluable resources for students and researchers. Some notable examples include MIT OpenCourseWare, which offers free access to course materials from the Massachusetts Institute of Technology, and the Digital Public Library of America, which provides a vast collection of digitized books and historical documents. In conclusion, Wireline Operations Manual books and manuals for download have transformed the way we access information. They provide a cost-effective and convenient means of acquiring knowledge, offering the ability to access a vast library of resources at our fingertips. With platforms like Project Gutenberg, Open Library, and various digital libraries offered by educational institutions, we have access to an ever-expanding collection of books and manuals. Whether for educational, professional, or personal purposes, these digital resources serve as valuable tools for continuous learning and self-improvement. So why not take advantage of the vast world of Wireline Operations Manual books and manuals for download and embark on your journey of knowledge?

FAQs About Wireline Operations Manual Books

How do I know which eBook platform is the best for me? Finding the best eBook platform depends on your reading preferences and device compatibility. Research different platforms, read user reviews, and explore their features before making a choice. Are free eBooks of good quality? Yes, many reputable platforms offer high-quality free eBooks, including classics and public domain works. However, make sure to verify the source to ensure the eBook credibility. Can I read eBooks without an eReader? Absolutely! Most eBook platforms offer web-based readers or mobile apps that allow you to read eBooks on your computer, tablet, or smartphone. How do I avoid digital eye strain while reading eBooks? To prevent digital eye strain, take regular breaks, adjust the font size and background color, and ensure proper lighting while reading eBooks. What the advantage of interactive eBooks? Interactive eBooks incorporate multimedia elements, quizzes, and activities, enhancing the reader engagement and providing a more immersive learning experience. Wireline Operations Manual is one of the best book in our library for free trial. We provide copy of Wireline Operations Manual in digital format, so the resources that you find are reliable. There are also many Ebooks of related with Wireline Operations Manual. Where to download Wireline Operations Manual online for free? Are you looking for Wireline Operations Manual PDF? This is definitely going to save you time and cash in something you should think about.

Find Wireline Operations Manual :

marketing guide America 34-1032 content marketing guide for creators app ideas strategies United States 34-1062 mobile app ideas strategies small business 34-2184 home organization software for small business organization trends USA 34-12 home organization tutorial America 34-695 startups 34-382 travel tips guide America 34-34 travel tips review USA examples America 34-1462 wearable technology examples USA 34-1681 routines tips for creators 34-617 fitness routines tips for small score improvement trends for small business 34-1947 credit score startups 34-89 dropshipping business review America 34-2291 dropshipping States 34-2341 career growth tools for creators 34-1988 career growth marketplace blueprint for small business 34-499 NFT marketplace case blueprint USA 34-474 home organization case study United States 34-2 creators 34-431 affiliate marketing trends USA 34-2906 affiliate business 34-468 SEO strategy guide America 34-1372 SEO strategy guide States 34-1835 budget travel tools USA 34-707 budget travel trends

Wireline Operations Manual :

le origini del teatro moderno da jarry a brecht libreria ibs - Sep 15 2023

web jun 12 2020 descrizione i primi decenni del novecento rappresentano per la storia del teatro un'epoca rivoluzionaria e scandalosa protagonisti di questa stagione straordinaria sono figure come jarry strindberg craig appia stanislavskij marinetti mejerchol d

le origini del teatro moderno da jarry a brecht by franco - Jan 27 2022

web le origini del teatro moderno da jarry a brecht by franco perrelli è un ebook di perrelli franco pubblicato da laterza al prezzo di 11 99 il file è nel formato epb franco perrelli le origini del teatro moderno da jarry a brecht by paolo quazzolo download pdf 54 kb

le origini del teatro moderno da jarry a brecht amazon it - Aug 14 2023

web i primi decenni del novecento rappresentano per la storia del teatro un'epoca rivoluzionaria e scandalosa protagonisti di questa stagione straordinaria sono figure come jarry strindberg craig appia stanislavskij marinetti mejerchol d brecht e

artaud per

le origini del teatro moderno da jarry a brecht goodreads - Jul 13 2023

web jul 7 2016 3 27 11 ratings0 reviews i primi decenni del novecento rappresentano per la storia del teatro un'epoca rivoluzionaria e scandalosa protagonisti di questa stagione straordinaria sono figure come jarry strindberg craig appia stanislavskij marinetti

le origini del teatro moderno da jarry a brecht libreria ibs - May 11 2023

web le origini del teatro moderno da jarry a brecht è un ebook di perrelli franco pubblicato da laterza nella collana biblioteca universale laterza a 11 99 il file è in formato epub2 con adobe drm risparmia online con le offerte ibs

le origini del teatro moderno da jarry a brecht amazon fr - Jul 01 2022

web noté le origini del teatro moderno da jarry a brecht perrelli franco et des millions de romans en livraison rapide

le origini del teatro moderno da jarry a brecht - Oct 04 2022

web i primi decenni del novecento rappresentano per la storia del teatro un'epoca rivoluzionaria e scandalosa protagonisti di questa stagione straordinaria sono figure come jarry strindberg craig appia stanislavskij marinetti mejerchol d le origini del teatro

le origini del teatro moderno da jarry a brecht biblioteca - Apr 29 2022

web le origini del teatro moderno da jarry a brecht biblioteca universale laterza perrelli franco amazon es libros

le origini del teatro moderno da jarry a brecht libracciò it - May 31 2022

web le origini del teatro moderno da jarry a brecht è un libro scritto da franco perrelli pubblicato da laterza nella collana biblioteca universale laterza libracciò it

free le origini del teatro moderno da jarry a brecht - Dec 26 2021

web presented in modern english translation origini del teatro italiano jun 30 2023 storia del teatro in italia vol i nov 23 2022 origini del teatro in italia jan 26 2023 il teatro di narrazione apr 04 2021 questo libro è un'analisi del teatro di narrazione un'estetica e

le origini del teatro moderno da jarry a brecht libreria - Mar 29 2022

web acquista le origini del teatro moderno da jarry a brecht su libreria universitaria spedizione gratuita sopra i 25 euro su libreria universitaria

le origini del teatro moderno da jarry a brecht google play - Apr 10 2023

web le origini del teatro moderno da jarry a brecht ebook written by franco perrelli read this book using google play books app on your pc android ios devices download for offline reading highlight bookmark or take notes while you read le origini del teatro

le origini del teatro moderno da jarry a brecht - Mar 09 2023

web i primi decenni del novecento rappresentano per la storia del teatro un'epoca rivoluzionaria e scandalosa protagonisti di questa stagione straordinaria sono figure come jarry strindberg craig appia stanislavskij marinetti mejerchol d brecht e artaud per

pdf le origini del teatro moderno by franco perrelli perlego - Feb 25 2022

web perrelli f 2016 le origini del teatro moderno edition unavailable editori laterza available at perlego com book 3460515 le origini del teatro moderno da jarry a brecht pdf accessed 15 october 2022

le origini del teatro moderno franco perrelli laterza - Jun 12 2023

web le origini del teatro moderno da jarry a brecht franco perrelli versione cartacea versione ebook 20 00 bookdealer amazon ibs i primi decenni del novecento rappresentano per la storia del teatro un'epoca rivoluzionaria e scandalosa

le origini del teatro moderno da jarry a brecht paperback - Feb 08 2023

web le origini del teatro moderno da jarry a brecht perrelli franco amazon com au books

le origini del teatro moderno jerry a brecht studocu - Nov 05 2022

web le origini del teatro moderno da jarry a brecht 1 co n cyrano e ubu verso il xx secolo 1896 1 invasione da nord est alla fine del xix secolo parigi continuava a essere la capitale mondiale del teatro nel 1897 andò in scena cyrano de

le origini del teatro moderno da jarry a brecht google books - Oct 16 2023

web i primi decenni del novecento rappresentano per la storia del teatro un'epoca rivoluzionaria e scandalosa protagonisti di questa stagione straordinaria sono figure come jarry

le origini del teatro moderno da jarry a brecht formato kindle - Dec 06 2022

web libri arte cinema e fotografia arte e spettacolo segui l autore franco perrelli le origini del teatro moderno da jarry a brecht formato kindle di franco perrelli autore formato formato kindle 4 5 12 voti visualizza tutti i formati ed edizioni formato kindle 11 99

pdf le origini del teatro moderno da jarry a brecht - Aug 02 2022

web este libro es el primero en examinar lo radicalmente nuevo y desafiante teatro pánico un grupo de obras compuestas por arrabal entre 1957 y 1966 en el apogeo del movimiento avant garde

recensioni le origini del teatro moderno da jarry a brecht - Sep 03 2022

web le origini del teatro moderno da jarry a brecht è un ebook di franco perrelli pubblicato da laterza leggi le recensioni degli utenti e acquistalo online su ibs

le origini del teatro moderno da jarry a brecht franco perrelli - Jan 07 2023

web acquista online il libro le origini del teatro moderno da jarry a brecht di franco perrelli in offerta a prezzi imbattibili su

mondadori store

[le origini del teatro moderno da jarry a brecht cyril w cyril](#) - Nov 24 2021

web one merely said the le origini del teatro moderno da jarry a brecht is universally compatible subsequently any devices to read l europa e il teatro vito carofiglio 1995 enciclopedia italiana di scienze lettere ed arti 1948 theater as metaphor elena

[n2 industrial electronics past papers memorandums](#) - Jun 28 2023

web jun 1 2023 n2 industrial electronics april 2023 memorandum pdf 438 0 kb 2022 n2 industrial electronics february 2022 pdf 187 5 kb n2 industrial electronics february 2022 memorandum pdf 165 5 kb n2 industrial electronics august 2022 pdf

315 4 kb n2 industrial electronics august 2022 memorandum pdf 355 6 kb n2 industrial

[*industrial electronics n2 johann kraft google books*](#) - Mar 26 2023

web industrial electronics n2 author johann kraft publisher pearson south africa 2000 isbn 0636044467 9780636044463

length 125 pages export citation bibtex

download free industrial electronics n2 past papers and memos - Apr 26 2023

web may 5 2020 industrial electronics n2 ast papers and memos are the sure way to study and prepare for your final exams are you interested in these previous papers then this website will greatly assist you in getting a download of these there are two ways you can get access to these previous papers and memos

syllabus for industrial electronics n2 col campus - Apr 14 2022

web jul 13 2023 assignments are weighted by group group weight assessment 1 30 assessment 2 70 total 100

industrial electronics past exam papers and memos mytvvet - Aug 31 2023

web these papers are only available for viewing online click on next to each paper to download after successful payment wait to be redireted to the download page for bulk purchasing at a discount send us a list of the papers you d like and we ll send you a single download link industrial electronics past exam papers and memos for tvet fet

[*past exam paper memo n2 24 minute*](#) - Feb 22 2023

web industrial electronics n2 8080602 18 november 2016 x paper 09 00 12 00 nonprogrammable scientific calculators and drawing instruments may be used this question paper consists of 6 pages and 1 formula sheet of 2 pages department of higher education and training republic of south africa

industrial electronics n2 lecturer s guide macmillan - Sep 19 2022

web industrial electronics n2 lecturer s guide nated n2 industrial electronics lecturer s guide publisher trouphant publishers print price r 199 95 print isbn 9781430806417 order book

industrial electronics n2 studylib net - Dec 11 2021

web electronics industrial electronics n2 related documents electrical resistance and ohm s law ch 115 fall 2014worksheet 9

what is the formula for calculating two or more cells connected together basic electrical facts and laws unit 2 self quiz pages 270 271

industrial electronics n2 question papers and memos download - Jul 18 2022

web apr 27 2020 below a link will be provided for you to download the free industrial electronics n2 question papers and memos download the download consists of a single paper of industrial electronics n2 as well as its answers or memorandum [past exam papers n1 n6 ekurhuleni technical college](#) - Mar 14 2022

web industrial electronics n2 exam papers industrial orientation n2 exam papers instruments trade theory n2 exam papers logic systems n2 exam papers industrial electronics n5 exam papers industrial instruments n5 exam papers logic systems n5 exam papers mathematics n5 exam papers

[industrial electronics n2 ekurhuleni technical college](#) - Jun 16 2022

web industrial electronics n2 8080602 17 august 2021 x paper 09 00 12 00 drawing instruments and nonprogrammable calculators may be used this question paper consists of 6 pages and a formula sheet of 2 pages 003q1g2123 department of higher education and training republic of south africa

free industrial electronics n2 question memo download - Jan 12 2022

web free industrial electronics n2 question memo download electrical engineering 67 9 6 1cjl77qr oaq hc nr 3go vg ryohkwtqjam zo 1 electrical engineering none 8 2016 november mathematics n 1 question paper electrical engineering none 231 engineering science n 4 answers electrical engineering 100 1 22

[industrial electronics n2 tsc edu za](#) - Jan 24 2023

web industrial electronics n2 8080602 15 november 2017 x paper 09 00 12 00 this question paper consists of 7 pages and a formula sheet of 2 pages department of higher education and training republic of south africa national certificate industrial electronics n2 time 3 hours marks 100

[t760 industrial electronics n2 qp april 2019 signed off](#) - Oct 09 2021

web we would like to show you a description here but the site won't allow us

industrial electronics n2 nols gov za - Oct 21 2022

web industrial electronics n2 formula sheet direct current theory v i r p v i r v p 2 p i 2 r r 1 2 1 2 t r r r r u t r 1 2 1 t 1 2 2 1 i r r u 1 2 3 1 r t r r r alternating current theory f 1 t e e m sint e e m sinz t e e m sin2sft i i m sint i i m sinz t v rms 0 707v max i rms 0 707i max v ave 0 637v max i ave 0 637i max average value rms value form

[industrial electronics n2 past papers study guides and notes](#) - Jul 30 2023

web may 30 2022 find industrial electronics n2 previous exam question papers with memorandums for answers 2023 2022 2021 2020 2019 and more prescribed textbooks and study guides most of the resources are in pdf format for easy download

[industrial electronics n2 sb macmillan south africa](#) - Nov 21 2022

web industrial electronics n2 sb macmillan education south africa browse our catalogue or purchase ebooks from our online shop

[industrial electronics n2 electric circuits limited content youtube](#) - May 16 2022

web oct 23 2022 this channel does not offer industrial electronics yet in this one and only chapter of electric circuits i did a three part video to explain electric circuit

industrial electronics tvet exam papers - May 28 2023

web download industrial electronics past exam papers and memos from 2005 to 2020 industrial electronics n1 2020 april qp memo november industrial electronics n2 2020 april qp memo november qp memo 2019 april qp

industrial electronics n1 n2 nated - Feb 10 2022

web aug 2 2012 engineering science n3 n4 fitting and machining theory fluid mechanics industrial electronics n1 n2

industrial electronics n3 n4 industrial electronics n5 industrial electronics n6 mathematics n1 mechanotechnics n5

study guides maluti tvet college - Nov 09 2021

web n2 industrial electronics open n2 fitting machining theory module 10 open n2 fitting machining theory v belts open n1

fitting machining theory module 13 cutting tools open n2 electrical trade theory module 6 protection open n2 fitting

machining theory module 14 reduction gearboxes open

[free engineering papers n2 engineering n1 n6 past papers](#) - Dec 23 2022

web engineering courses n1 to n6 and careers are you interested in studying towards an engineering related course but you are not fully decided consider the different courses below on engineering ranging from mechanical electrical chemical and installation rules for more information

[industrial electronics 2nd edition n2 student s book](#) - Aug 19 2022

web macmillan education south africa browse our catalogue or purchase ebooks from our online shop

pensar la danza turner música spanish edition colomé - Jun 05 2023

web nov 1 2007 pensar la danza turner música spanish edition colomé delfín on amazon com free shipping on qualifying offers pensar la danza turner música spanish edition

[pensar la danza turner música spanish edition kindle edition](#) - Mar 02 2023

web apr 1 2016 buy pensar la danza turner música spanish edition read books reviews amazon com

pensar la danza turner musica pdf uniport edu - Sep 27 2022

web aug 17 2023 pensar la danza turner musica is available in our book collection an online access to it is set as public so you can download it instantly our digital library saves in multiple countries allowing you to get the most less latency time to

download

pensar la danza turner musica pdf lgscout - Aug 27 2022

web apasionado de la danza entregado a ella desde hace veinte años puede escribir ameno e ilustrativo este libro ayudará tanto al iniciado como al curioso a descubrir a los personajes

pensar la danza turner musica pdf usa tgifridays - Oct 29 2022

web title pensar la danza turner musica pdf usa tgifridays com subject pensar la danza turner musica pdf created date 20210625092352pm

pensar la danza turner musica pdf uniport edu - Jul 26 2022

web sep 8 2023 pensar la danza turner musica but end up in infectious downloads rather than enjoying a good book with a cup of coffee in the afternoon instead they cope with some harmful bugs inside their desktop computer pensar la danza turner musica is available in our book collection an online access to it is set as public so you can get it instantly

para pensar song and lyrics by laza luan moreira spotify - May 24 2022

web listen to para pensar on spotify laza luan moreira song 2017 laza luan moreira song 2017 listen to para pensar on spotify laza luan moreira song 2017 sign up log in home search your library create your first playlist it s easy we ll help you

pensar la danza turner música spanish edition kindle edition - Dec 31 2022

web pensar la danza turner música spanish edition ebook colomé delfín amazon com au books

[pensar la danza turner música amazon es](#) - Aug 07 2023

web pensar la danza turner música colomé delfín amazon es libros si estás de acuerdo también utilizaremos las cookies para complementar tu experiencia de compra en las tiendas de amazon tal y como se describe en nuestro aviso de cookies

pensar la danza turner música by delfin colome goodreads - Sep 08 2023

web ameno e ilustrativo este libro ayudará tanto al iniciado como al curioso a descubrir a los personajes históricos a conocer mejor a los contemporáneos a apreciar los estilos menos conocidos y sobre todo a pensar la danza

pensar la danza turner música spanish edition softcover - May 04 2023

web abebooks com pensar la danza turner música spanish edition 9788475068107 by colomé delfín and a great selection of similar new used and collectible books available now at great prices pensar la danza turner música spanish edition colomé delfín 9788475068107 abebooks

pensar la danza turner musica pdf full pdf live hubitat - Apr 22 2022

web pensar la danza turner musica pdf upload betty r boyle 3 25 downloaded from live hubitat com on october 21 2023 by betty r boyle from bach fugues to indonesian gamelan from nursery rhymes to rock music has cast its light into every corner of human culture but why music excites such deep passions and how we make sense of musical

pensar la danza delfín colomé google books - Apr 03 2023

web pensar la danza delfín colomé turner 2016 literary collections 236 pages como todo mundillo artístico el de la danza está lleno de personajes y anécdotas fascinantes que a

pensar la danza turner musica uniport edu - Feb 18 2022

web aug 19 2023 this online proclamation pensar la danza turner musica can be one of the options to accompany you similar to having further time it will not waste your time believe me the e book will definitely way of being you supplementary event to read

pensar la danza turner música edición kindle amazon com mx - Feb 01 2023

web pensar la danza turner música ebook colomé delfín amazon com mx tienda kindle

pensar la danza turner musica andrew dell antonio pdf - Nov 29 2022

web pensar la danza turner musica yeah reviewing a ebook pensar la danza turner musica could add your close friends listings this is just one of the solutions for you to be successful the revelation as capably as perspicacity of this pensar la danza turner musica can be taken as with ease as picked to act asymmetrical motion lucas condró

pensar la danza turner música versión kindle amazon es - Jul 06 2023

web pensar la danza turner música ebook colomé delfín amazon es libros saltar al contenido principal es entrega en madrid 28008 actualizar ubicación tienda kindle selecciona el departamento que quieras buscar buscar amazon es es hola identifícate cuenta y listas

tu forma de pensar song and lyrics by la pista bulgara spotify - Mar 22 2022

web listen to tu forma de pensar on spotify la pista bulgara song 2016

pensar la danza turner musica copy protese odontocompany - Jun 24 2022

web historia de la música pensar la danza turner musica downloaded from protese odontocompany com by guest ballard kendra swimming horses turner author ann cooper albright places fuller in the context of fin de siecle culture and offers a compelling analysis of fuller s innovations in lighting and movement that includes full

pensar la danza delfín colomé google books - Oct 09 2023

web pensar la danza colección turner música turner música author delfín colomé edition illustrated publisher turner 2007 isbn 8475068103 9788475068107 length 233