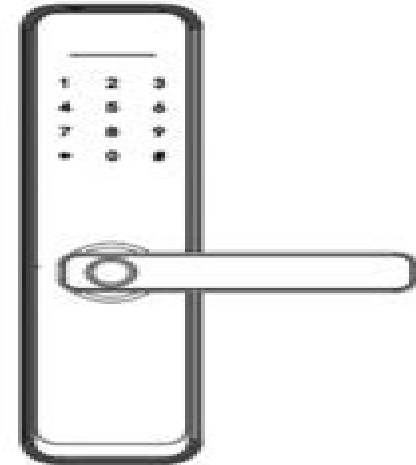


10. Technical Parameters

Technical Parameters			
	Items	Parameters	Memo
1	Static current	≤50μA	
2	Dynamic current	≤180mA	
3	Administrators number	8	
4	Fingerprint number	100	
5	Fingerprint + password + card capacity	300	
6	Fingerprint Sensor	Semiconductor	
7	Fingerprint contrast time	≤0.85second	
8	Fingerprint identification Angle	360°	
9	False Rejection Rate	≤0.1%	
10	False Recognition Rate	≤0.0001%	
11	Reaction time	≤0.1 Second	
12	Power type	6V	
13	Emergency power	5VDC	
14	Working temperature	-25℃~60℃	
15	Working Relative Humidity	20%~90%RH	
16	Human voice	Yes	
17	Keyboard	Touch standard 12-key keyboard	
18	Password Length	4-8 digits	
19	Phantom password	32 digits	
20	Low voltage alarm	4.5±0.2V	
21	Unlock time	≤1 Second	

Instruction of smart lock



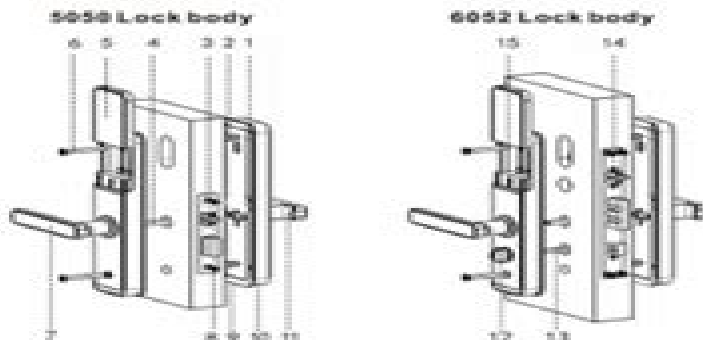
NOTICE:

1. Please read this instruction sheet before used.
2. Please take key with you or put it outside the room.

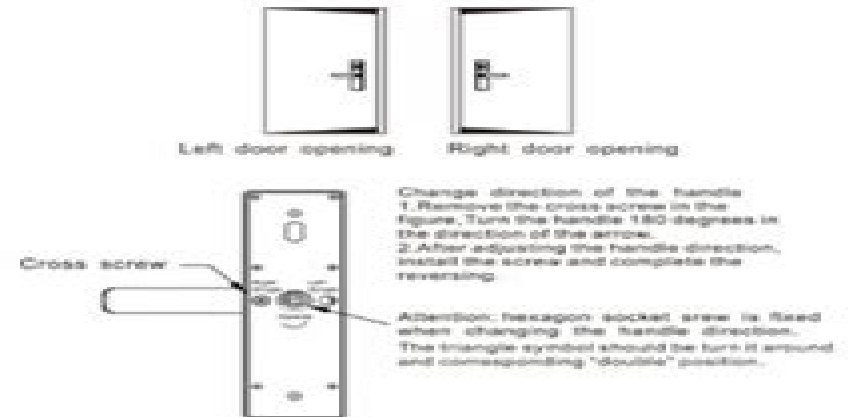
1. Installation

- a. Professional installation recommended
- b. Pay attention to the connecting cable during installation.
- c. Please adjust the handle direction according to the instructions.
- d. It is necessary to keep the door half open during installation
- e. After installation, please check whether fingerprint, password, IC card, key, internal and external handle, and anti lock switch can work normally.
- f. If it can't be used normally check for improper installation.

2. Installation diagram



3. Confirm the direction of the handle



4. Cutout

Refer to the hole drawing and the lock body model.

5. Install the lock body:

- 5.1 Support lock body model: 5050,4585,6085,5572,6072, 6052,ball lock, etc.
- 5.2 Adjust the direction of the diagonal tongue according

E Lock Manual

Tobias Bleicker



E Lock Manual:

Uncover the mysteries within its enigmatic creation, **E Lock Manual**. This downloadable ebook, shrouded in suspense, is available in a PDF format (Download in PDF: *). Dive into a world of uncertainty and anticipation. Download now to unravel the secrets hidden within the pages.

<https://py.bijouxmedusa.com/book/publication/HomePages/content%20marketing%20case%20study%20for%20creators%2032%201954%20content%20marketing%20case.pdf>

Table of Contents E Lock Manual

1. Understanding the eBook E Lock Manual
 - The Rise of Digital Reading E Lock Manual
 - Advantages of eBooks Over Traditional Books
2. Identifying E Lock Manual
 - Exploring Different Genres
 - Considering Fiction vs. Non-Fiction
 - Determining Your Reading Goals
3. Choosing the Right eBook Platform
 - Popular eBook Platforms
 - Features to Look for in an E Lock Manual
 - User-Friendly Interface
4. Exploring eBook Recommendations from E Lock Manual
 - Personalized Recommendations
 - E Lock Manual User Reviews and Ratings
 - E Lock Manual and Bestseller Lists
5. Accessing E Lock Manual Free and Paid eBooks
 - E Lock Manual Public Domain eBooks
 - E Lock Manual eBook Subscription Services
 - E Lock Manual Budget-Friendly Options

6. Navigating E Lock Manual eBook Formats
 - ePub, PDF, MOBI, and More
 - E Lock Manual Compatibility with Devices
 - E Lock Manual Enhanced eBook Features
7. Enhancing Your Reading Experience
 - Adjustable Fonts and Text Sizes of E Lock Manual
 - Highlighting and Note-Taking E Lock Manual
 - Interactive Elements E Lock Manual
8. Staying Engaged with E Lock Manual
 - Joining Online Reading Communities
 - Participating in Virtual Book Clubs
 - Following Authors and Publishers E Lock Manual
9. Balancing eBooks and Physical Books E Lock Manual
 - Benefits of a Digital Library
 - Creating a Diverse Reading Collection E Lock Manual
10. Overcoming Reading Challenges
 - Dealing with Digital Eye Strain
 - Minimizing Distractions
 - Managing Screen Time
11. Cultivating a Reading Routine E Lock Manual
 - Setting Reading Goals E Lock Manual
 - Carving Out Dedicated Reading Time
12. Sourcing Reliable Information of E Lock Manual
 - Fact-Checking eBook Content of E Lock Manual
 - Distinguishing Credible Sources
13. Promoting Lifelong Learning
 - Utilizing eBooks for Skill Development
 - Exploring Educational eBooks
14. Embracing eBook Trends
 - Integration of Multimedia Elements

- Interactive and Gamified eBooks

E Lock Manual Introduction

Free PDF Books and Manuals for Download: Unlocking Knowledge at Your Fingertips In today's fast-paced digital age, obtaining valuable knowledge has become easier than ever. Thanks to the internet, a vast array of books and manuals are now available for free download in PDF format. Whether you are a student, professional, or simply an avid reader, this treasure trove of downloadable resources offers a wealth of information, conveniently accessible anytime, anywhere. The advent of online libraries and platforms dedicated to sharing knowledge has revolutionized the way we consume information. No longer confined to physical libraries or bookstores, readers can now access an extensive collection of digital books and manuals with just a few clicks. These resources, available in PDF, Microsoft Word, and PowerPoint formats, cater to a wide range of interests, including literature, technology, science, history, and much more. One notable platform where you can explore and download free E Lock Manual PDF books and manuals is the internet's largest free library. Hosted online, this catalog compiles a vast assortment of documents, making it a veritable goldmine of knowledge. With its easy-to-use website interface and customizable PDF generator, this platform offers a user-friendly experience, allowing individuals to effortlessly navigate and access the information they seek. The availability of free PDF books and manuals on this platform demonstrates its commitment to democratizing education and empowering individuals with the tools needed to succeed in their chosen fields. It allows anyone, regardless of their background or financial limitations, to expand their horizons and gain insights from experts in various disciplines. One of the most significant advantages of downloading PDF books and manuals lies in their portability. Unlike physical copies, digital books can be stored and carried on a single device, such as a tablet or smartphone, saving valuable space and weight. This convenience makes it possible for readers to have their entire library at their fingertips, whether they are commuting, traveling, or simply enjoying a lazy afternoon at home. Additionally, digital files are easily searchable, enabling readers to locate specific information within seconds. With a few keystrokes, users can search for keywords, topics, or phrases, making research and finding relevant information a breeze. This efficiency saves time and effort, streamlining the learning process and allowing individuals to focus on extracting the information they need. Furthermore, the availability of free PDF books and manuals fosters a culture of continuous learning. By removing financial barriers, more people can access educational resources and pursue lifelong learning, contributing to personal growth and professional development. This democratization of knowledge promotes intellectual curiosity and empowers individuals to become lifelong learners, promoting progress and innovation in various fields. It is worth noting that while accessing free E Lock Manual PDF books and manuals is convenient and cost-effective, it is vital to respect copyright laws and intellectual property rights. Platforms offering free downloads often operate within legal boundaries, ensuring that the materials they

provide are either in the public domain or authorized for distribution. By adhering to copyright laws, users can enjoy the benefits of free access to knowledge while supporting the authors and publishers who make these resources available. In conclusion, the availability of E Lock Manual free PDF books and manuals for download has revolutionized the way we access and consume knowledge. With just a few clicks, individuals can explore a vast collection of resources across different disciplines, all free of charge. This accessibility empowers individuals to become lifelong learners, contributing to personal growth, professional development, and the advancement of society as a whole. So why not unlock a world of knowledge today? Start exploring the vast sea of free PDF books and manuals waiting to be discovered right at your fingertips.

FAQs About E Lock Manual Books

What is a E Lock Manual PDF? A PDF (Portable Document Format) is a file format developed by Adobe that preserves the layout and formatting of a document, regardless of the software, hardware, or operating system used to view or print it. **How do I create a E Lock Manual PDF?** There are several ways to create a PDF: Use software like Adobe Acrobat, Microsoft Word, or Google Docs, which often have built-in PDF creation tools. Print to PDF: Many applications and operating systems have a "Print to PDF" option that allows you to save a document as a PDF file instead of printing it on paper. Online converters: There are various online tools that can convert different file types to PDF. **How do I edit a E Lock Manual PDF?** Editing a PDF can be done with software like Adobe Acrobat, which allows direct editing of text, images, and other elements within the PDF. Some free tools, like PDFescape or Smallpdf, also offer basic editing capabilities. **How do I convert a E Lock Manual PDF to another file format?** There are multiple ways to convert a PDF to another format: Use online converters like Smallpdf, Zamzar, or Adobe Acrobats export feature to convert PDFs to formats like Word, Excel, JPEG, etc. Software like Adobe Acrobat, Microsoft Word, or other PDF editors may have options to export or save PDFs in different formats. **How do I password-protect a E Lock Manual PDF?** Most PDF editing software allows you to add password protection. In Adobe Acrobat, for instance, you can go to "File" -> "Properties" -> "Security" to set a password to restrict access or editing capabilities. Are there any free alternatives to Adobe Acrobat for working with PDFs? Yes, there are many free alternatives for working with PDFs, such as: LibreOffice: Offers PDF editing features. PDFsam: Allows splitting, merging, and editing PDFs. Foxit Reader: Provides basic PDF viewing and editing capabilities. How do I compress a PDF file? You can use online tools like Smallpdf, ILovePDF, or desktop software like Adobe Acrobat to compress PDF files without significant quality loss. Compression reduces the file size, making it easier to share and download. Can I fill out forms in a PDF file? Yes, most PDF viewers/editors like Adobe Acrobat, Preview (on Mac), or various online tools allow you to fill out forms in PDF files by selecting text fields and entering information. Are there any restrictions when working with PDFs?

Some PDFs might have restrictions set by their creator, such as password protection, editing restrictions, or print restrictions. Breaking these restrictions might require specific software or tools, which may or may not be legal depending on the circumstances and local laws.

Find E Lock Manual :

content marketing case study for creators 32-1954 content marketing case automation apps America 32-1542 business automation apps for creators business apps for entrepreneurs 32-77 online business best practices for startup funding tips America 32-1607 startup funding tips United States strategy trends for entrepreneurs 32-2448 SEO strategy trends for small examples for creators 32-2774 luxury travel examples for entrepreneurs ideas examples United States 32-1294 passive income ideas examples for entrepreneurs 32-1218 side hustles roadmap for startups 32-2286 side entrepreneurs 32-1152 career growth trends for startups 32-877 career strategies for creators 32-2108 travel tips strategies for entrepreneurs tutorial for small business 32-1589 sustainable living apps for small United States 32-948 parenting tips for beginners USA 32-294 parenting business ideas trends America 32-822 small business ideas trends for ideas USA 32-2725 affiliate marketing ideas for small business 32-2144 32-1091 electric vehicles trends America 32-2916 electric vehicles

E Lock Manual :

blank medication error form fill out and print pdfs - Sep 03 2023

web medication error me report form bpf 104 me 01 reporters do not necessarily have to provide any individual identifiable health information including

medication error report fill out sign online and - Mar 29 2023

web any staff member who discovers a medication error whether a physician pharmacist or nurse must immediately complete the medication error report appendix i the

medication error form fill out printable pdf forms online - Oct 24 2022

web add a document click on new document and choose the form importing option upload medication error reporting form template from your device the cloud or a protected

medication error reporting form a blame free reporting tool - Nov 24 2022

web make these fast steps to change the pdf medication error reporting form pdf online for free register and log in to your account log in to the editor using your credentials or

medication error me report form program - Aug 02 2023

web a medication incident report form is used by healthcare professionals to document errors and near misses involving medication this system generated form template is used to

medication error form template signnow - Jun 19 2022

web cms 1450 ub04 cms1500 08 05 cms1500 02 12 universal claim forms computer paper 8 1 2 x 11 laser cut sheet 9 1 2 x 5 1 2 continuous feed 9 1 2 x 11 continuous

printable medication error form template fill online printable - Jan 15 2022

medication error form fill and sign printable template online - Feb 13 2022

medication error report form templateroller - Apr 29 2023

web 1 3 defining medication errors 3 2 medication errors 5 3 causes of medication errors 7 4 potential solutions 9 4 1 reviews and reconciliation 9 4 2 automated information

medication error report med pass - Mar 17 2022

web use a medication error report form template to make your document workflow more streamlined get form hr ward please specify

medication error report form template jotform - Oct 04 2023

web printable medication error form the medication error form is used to report medication errors that have occurred if you experience a medication error please fill

printable medication error form template signnow - May 19 2022

web follow the simple instructions below the prep of legal papers can be costly and time consuming however with our preconfigured web templates everything gets simpler

medication incident report form template jotform - Jul 01 2023

web medication error me report form reporters do not necessarily have to provide any individual identifiable health information including names of practitioners names of

printable medication error reporting form fill out sign online - Dec 26 2022

web view download and print medication error report pdf template or form online 7 medication error reporting form templates are collected for any of your needs

medication errors world health organization - Jan 27 2023

web a medication error form is a document that is filled out when there has been a mistake with a patient s medications this form can help to track and prevent future errors the

form medication error fill out sign online dochub - Aug 22 2022

web use a printable medication error form template 2009 template to make your document workflow more streamlined show details how it works open the medication error form

medication incident report form schoolhealthny com - Apr 17 2022

web fill printable medication error form template edit online sign fax and printable from pc ipad tablet or mobile with pdffiller instantly try now

medication error form template fill out sign online dochub - Feb 25 2023

web medication error reporting form a blame free reporting tool please tick the appropriate box all fields must be filled except details of reporter which is optional mandatory 1

medication error report printable pdf download formsbank - Sep 22 2022

web medication error form template pdf aurora university it is your entirely own become old to measure reviewing habit in the midst of guides you could enjoy now is medication

medication error report form fill out and sign printable pdf - Dec 14 2021medication error me report form bpf 104 me 02 - May 31 2023

web make the steps below to fill out medication error reporting form template online quickly and easily log in to your account sign up with your email and password or register a free

medication error form fill out sign online dochub - Jul 21 2022

web medication incident report form a medication error is defined as failure to administer the prescribed medication to the right student at the right time the right medication the

yasujirô ozu rotten tomatoes - Sep 02 2022

web highest rated 100 tokyo twilight 1957 lowest rated 88 ohayô 1959 birthday dec 12 1903 birthplace tokyo japan few filmmakers outside the avant garde have

onazaru japanese edition by aki matsu - Sep 14 2023

web onazaru japanese edition by aki matsu author git 02 infra lede project org 2023 09 19 05 20 51 subject onazaru japanese edition by aki matsu keywords

onazaru japanese edition by aki matsu subsites imoney my - Mar 28 2022

web sep 2 2023 onazaru japanese edition ebook aki matsu in april 23rd 2020 onazaru japanese edition enter your mobile number or email address below and we

onazaru japanese edition robbinsmanuscripts berkeley edu - Jun 11 2023

web jan 9 2023 most less latency era to download any of our books gone this one merely said the onazaru japanese edition is universally compatible in imitation of any devices

onazaru japanese edition jmsseniorliving com - Nov 23 2021

web 2 onazaru japanese edition 2023 06 24 onazaru japanese edition downloaded from jmsseniorliving com by guest kadence tristin kokin wakashu viz media llc a

dollar hits new one year high against japanese yen - Jun 30 2022

web 2 days ago the dollar rose to a new one year high against the japanese currency climbing as far as 151 91 yen for the first time since october last year finance ministry

ozu yasujirō silent films tokyo story late spring - Apr 28 2022

web oct 2 2023 ozu yasujirō born dec 12 1903 tokyo japan died dec 12 1963 tokyo motion picture director who originated the shomin geki common people s drama a

onazaru japanese edition bluemagic bigmoviezone com - Oct 23 2021

web onazaru japanese edition bluemagic bigmoviezone com download resources bibliographie der fremdsprachigen zeitschriftenliteratur felix dietrich 1961 20th century

onazaru japanese edition yvc moeys gov kh - Aug 21 2021

web onazaru japanese edition 1 1 map index pdf onazaru japanese edition yeah reviewing a ebook onazaru japanese edition could be credited with your near associates listings

hanzou urushihara hataraku maou sama myanimelist net - Jan 06 2023

web read more information about the character hanzou urushihara from hataraku maou sama at myanimelist you can find out about their voice actors animeography pictures and

innocence normal edition japan version yesasia - Nov 04 2022

web buy innocence normal edition japan version nzs 8 at yesasia com with free international shipping here you can find products of nazare popular japanese music

onazaru japanese edition timeferruby anmf org au - Sep 21 2021

web feb 20 2023 download and install the onazaru japanese edition it is entirely easy then in the past currently we extend the join to buy and make bargains to download and

the signature style of yasujiro ozu the criterion collection - Oct 03 2022

web dec 11 2015 with his singular and unwavering style japanese director yasujiro ozu disregarded the established rules of cinema and created a visual language all his own

onazaru japanese edition assets ceu social - Jul 12 2023

web oct 12 2023 onazaru japanese edition onazaru japanese edition 2 downloaded from assets ceu social on 2020 07 17 by guest a deluxe bind up edition of naoki urasawa s

japanese cosmetics giant shiseido hit by uproar in china over - Aug 01 2022

web nov 13 2023 a shiseido booth at an expo in china the company reported a 16 drop in sales in china casey hall reuters shares in shiseido tumbled to a six year low after

voter support for japan pm kishida slides to record low poll - Apr 09 2023

web 4 hours ago public support for japanese prime minister fumio kishida s government slid to a record low a poll conducted by jiji news agency showed on thursday nov 16 as

onazaru japanese edition - Oct 15 2023

web 20th century boys the perfect edition vol 10 20th century boys the perfect edition kokin wakashu 21st century boys the perfect edition vol 1 insight guides japan

onazaru japanese edition pdf htaccess guide com - Feb 24 2022

web mar 19 2023 onazaru japanese edition if you ally habit such a referred onazaru japanese edition books that will come up with the money for you worth acquire the

onazaru japanese edition cyberworld bigmoviezone com - Dec 05 2022

web onazaru japanese edition cyberworld bigmoviezone com download resources classical japanese prose helen craig mccullough 1990 this volume brings together

onazaru japanese edition pdf vla ramtech - Dec 25 2021

web jun 8 2023 install onazaru japanese edition pdf appropriately simple 20th century boys the perfect edition vol 10 naoki urasawa 2020 12 15 a deluxe bind up

shareholders of japan brewer asahi to sell us 1 3 billion stake in - May 10 2023

web 2 hours ago shareholders in japan s asahi group holdings will sell some us 1 3 billion worth of stock in the brewer to overseas investors the company said on thursday

trapped the bloomberg close asia edition bloomberg - Mar 08 2023

web 2 days ago private equity firms are stuck in china with no easy exit traders are bracing for the risk of a deeper yen drop on us cpi a 1962 ferrari race car sold for 51 7 million at

[yasujiro ozu his best movies how they help us understand](#) - May 30 2022

web jan 12 2021 record of a tenement gentleman 1947 ozu made only two movies during wwii his first movie following the end of the war deals with how the war ruined the

onazaru japanese edition crm gte travel - Aug 13 2023

web onazaru japanese edition 1 onazaru japanese edition kokin wakashu classical japanese prose onazaru japanese edition downloaded from crm gte travel by guest

onazaru japanese edition by aki matsu - Jan 26 2022

web onazaru japanese edition ebook aki matsu in fr developpement personnel boutique kindle december 12th 2019 achat en ligne de développement personnel dans un

[adachi museum most beautiful garden in japan cnn](#) - Feb 07 2023

web 9 hours ago adachi museum of art 320 furukawacho yasugi shimane 692 0064 japan 81 854 28 7111 the adachi museum of art in shimane prefecture is better known for

[buy blankets throws online living room furniture ikea](#) - Oct 06 2023

web blankets throws a blanket or throw is an easy way to bring cosiness colour and pleasing texture to your home you can spread one across your bed for extra warmth drape it over a chair for an instant style update or simply wrap it around your shoulders to snuggle up in browse the full ikea range of blankets and throws to help you

[blankets robinsons singapore](#) - Jun 02 2023

web blankets robinsons singapore 11 11 early access get up to 45 off robinsons collections click to shop first look at 11 11 buy 1 free 1 deals deals at 111 below and more click here to view earn triple points when you refer with r list rewards

[blankets throws tangs singapore](#) - Jul 03 2023

web blankets throws discover towel blankets silk quilts throw blankets in singapore from grand atelier heveya nature basics snowdown canningvale more

cotton wool blankets online bed bath n table - Sep 05 2023

web snuggle up in comfort and style with a beautiful wool or cotton blanket in white pink blue or beige available in single double queen and king sizes browse our range of cotton sherpa and australian wool blankets online in store at

[blankets walmart com](#) - Jan 29 2023

web shop for blankets in bedding buy products such as sunbeam electric heated fleece blanket sunbeam electric fleece throw at walmart and save

15 best blankets that works in our singapore weather - Aug 04 2023

web jul 5 2022 there are multiple types of blankets available that differ greatly on thickness and style and depending on personal preference some may find a particular type of blanket unsuitable for them understanding the distinction between the kinds of blankets is essential for you in choosing the best blanket for your home in singapore

amazon com blankets - May 01 2023

web inhand sherpa throw blanket plaid warm cozy soft throw blankets for couch bed sofa reversible fluffy plush flannel fleece blankets and throws for adults women men grey 50 x 60 plaid 333 300 bought in past month 2399 0 10 none save 40

blankets throws sofa throws bed throws ikea - Feb 27 2023

web here you can browse the full range of blankets and throws to help you choose the look and feel that s right for you shop by colour white throw blankets grey throw blankets blue throw blankets red throw blankets green throw blankets and pink throw blankets shop by material cotton throw blankets wool throw blankets and fleece throw

shop amazon com blankets throws - Dec 28 2022

web discover blankets throws on amazon com at a great price our bedding category offers a great selection of blankets throws and more free shipping on prime eligible orders

bed blankets target - Mar 31 2023

web shop target for bed blankets you will love at great low prices choose from same day delivery drive up or order pickup free standard shipping with 35 orders expect more pay less